

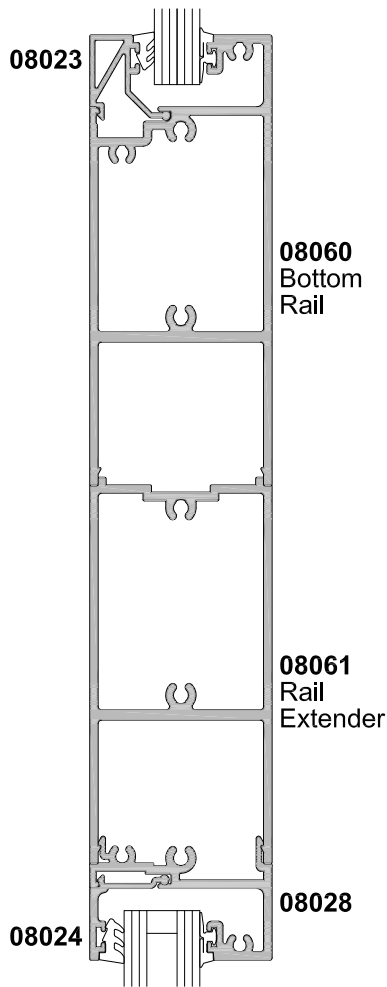
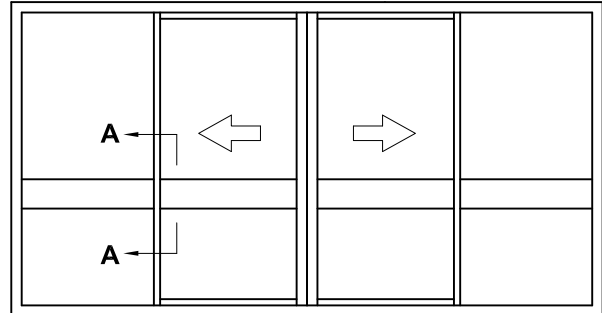


**MAGNUM 50
SLIDING DOOR
VISION RAIL AND BEAD OPTIONS
CROSS SECTION**

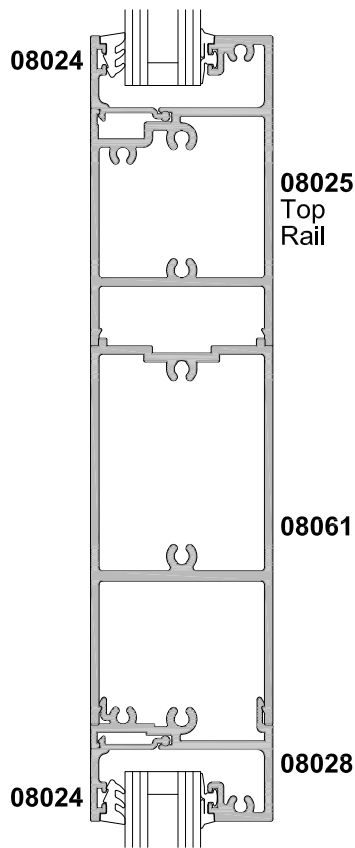
CAD REF. VCMD09-0

DATE
01.06.11

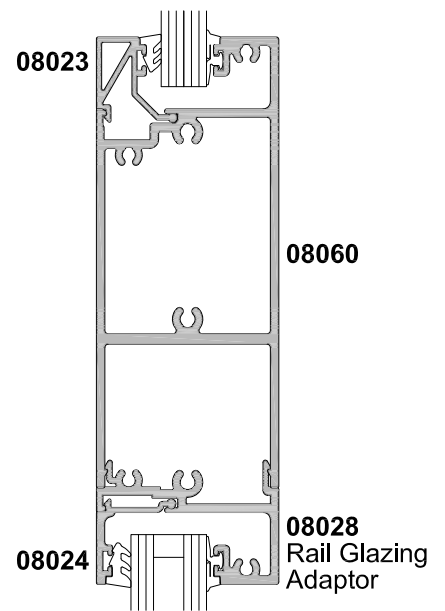
SCALE
1:2



SECTION A-A



SECTION A-A



SECTION A-A