

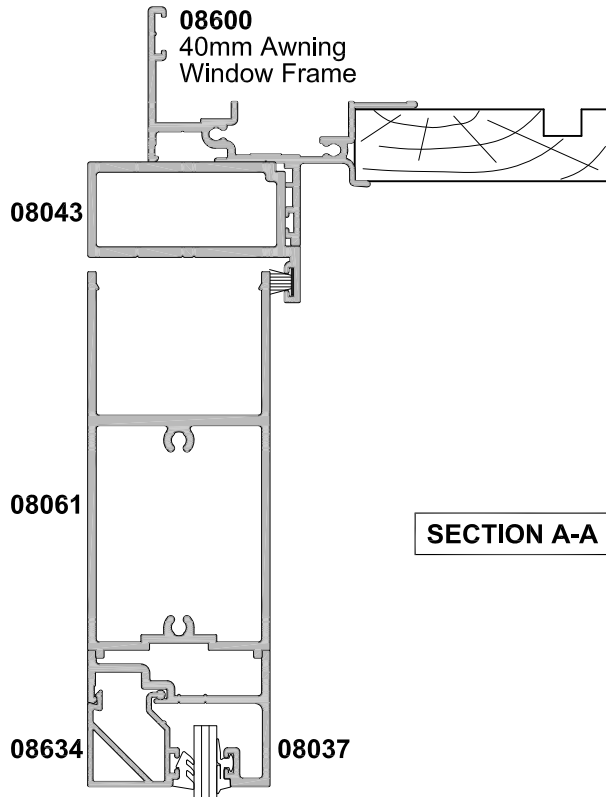


**MAGNUM 50
HINGED DOOR INTO 40MM SUITE
CROSS SECTION**

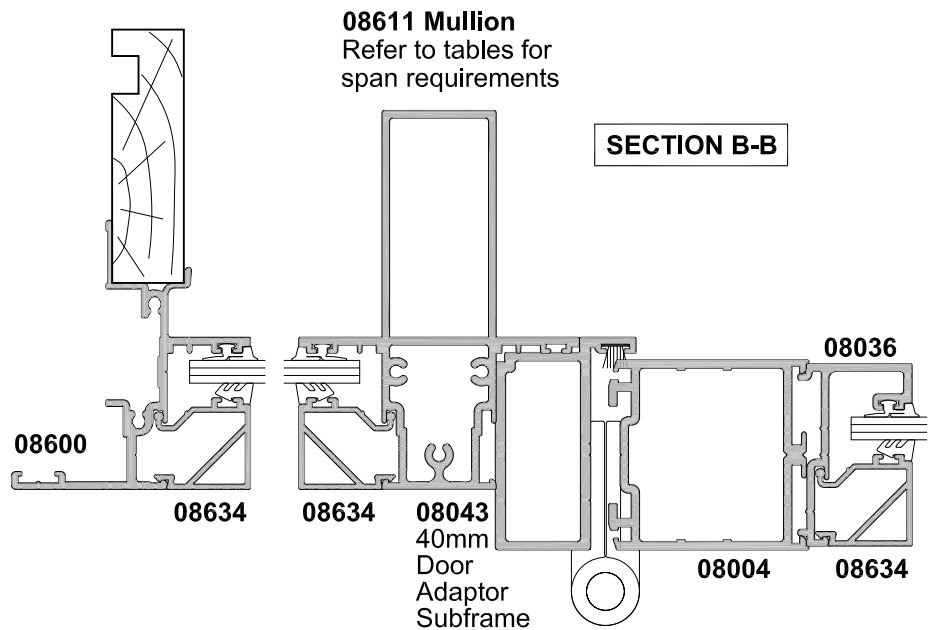
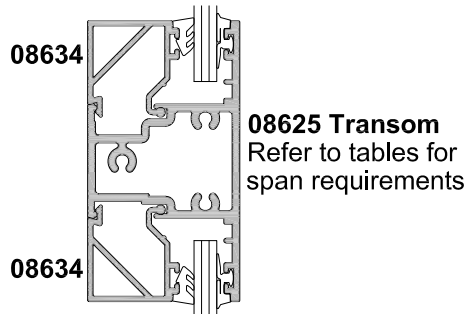
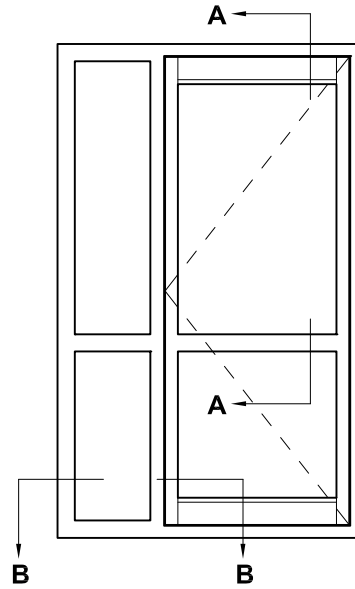
CAD REF. VCMD13-0

DATE
01.06.11

SCALE
1:2



SECTION A-A



SECTION B-B