

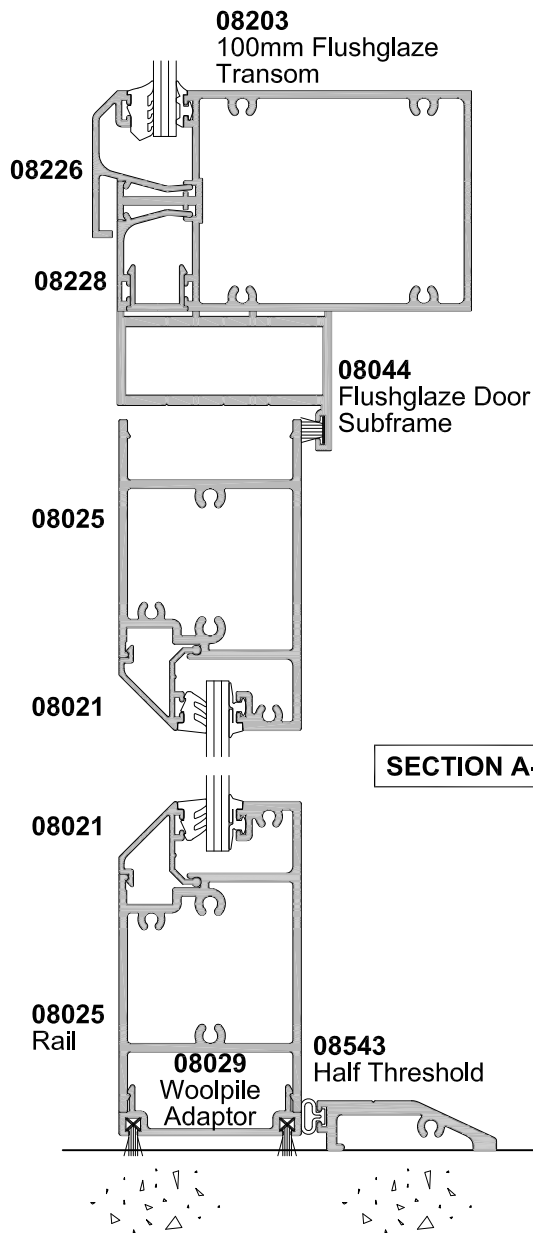


**MAGNUM 50  
HINGED DOOR  
INTO 100MM FLUSHGLAZE  
CROSS SECTION**

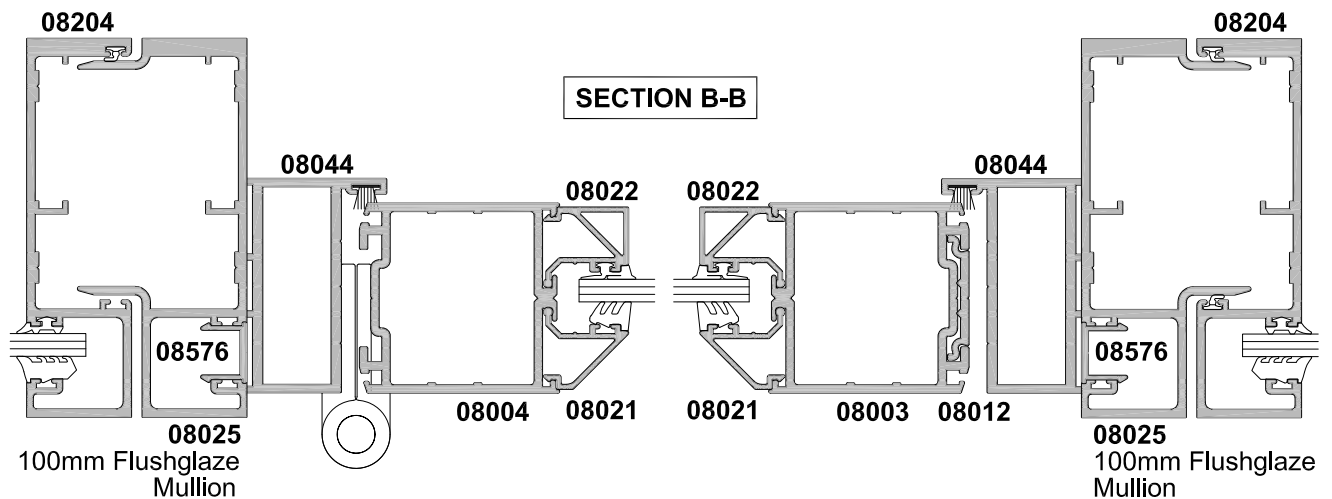
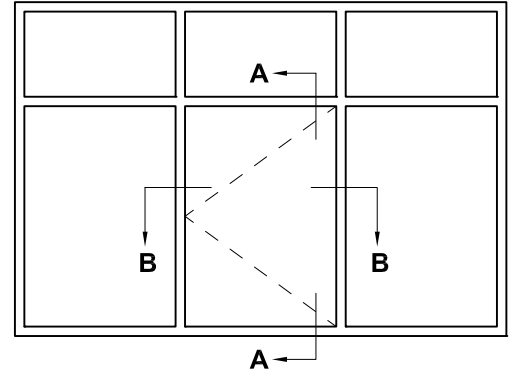
CAD REF. VCMD15-0

DATE  
01.06.11

SCALE  
1:2



**SECTION A-A**



**SECTION B-B**