

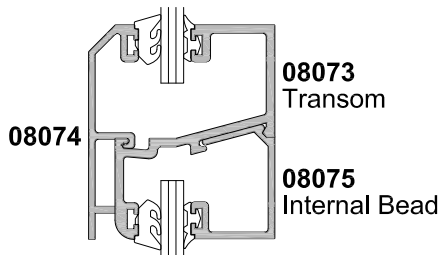
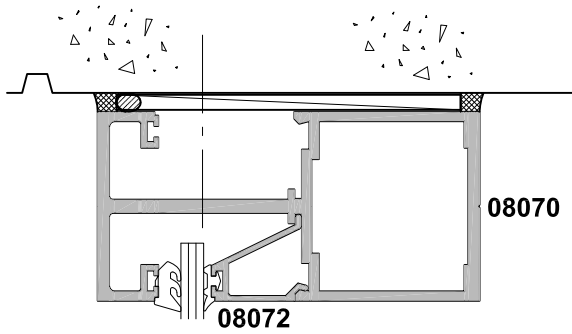


**CURTAIN WALL  
CROSS SECTION**

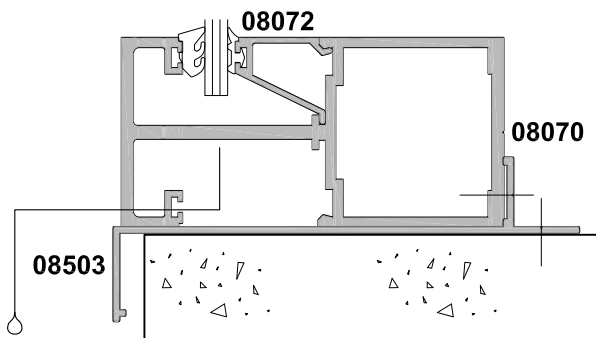
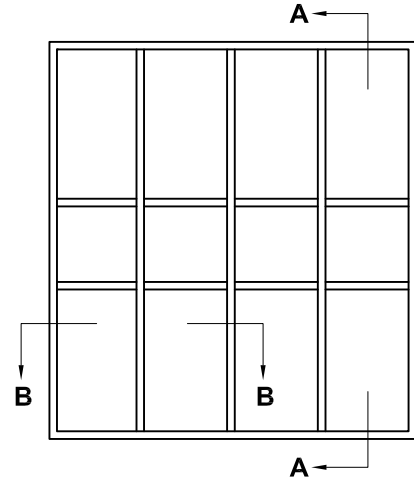
CAD REF. VCCW01-0

DATE  
01.06.11

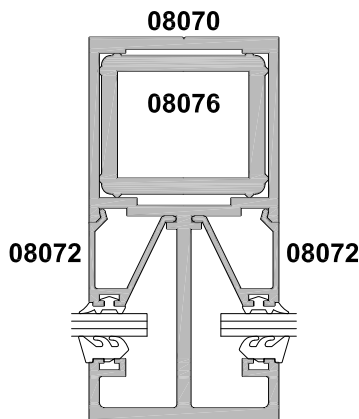
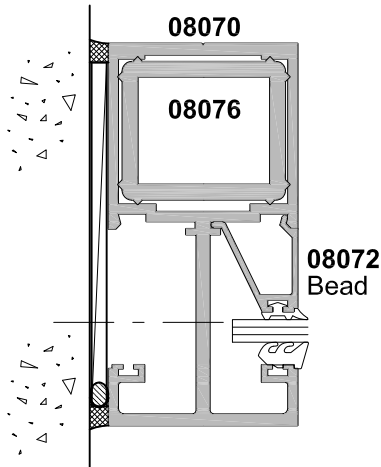
SCALE  
1:2



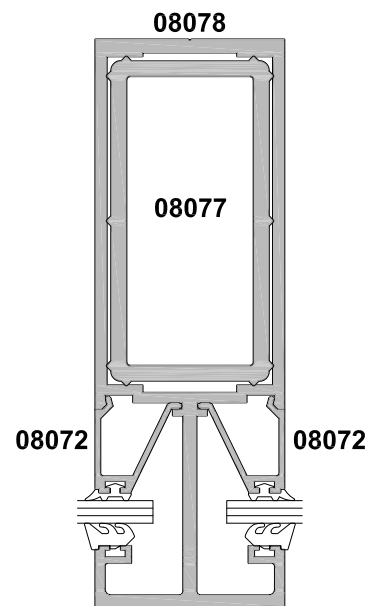
**SECTION A-A**



**SECTION B-B**



**100MM MULLION  
OPTION**



**150MM MULLION  
OPTION**