

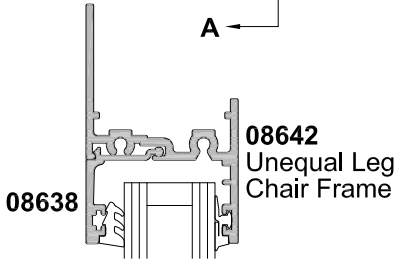
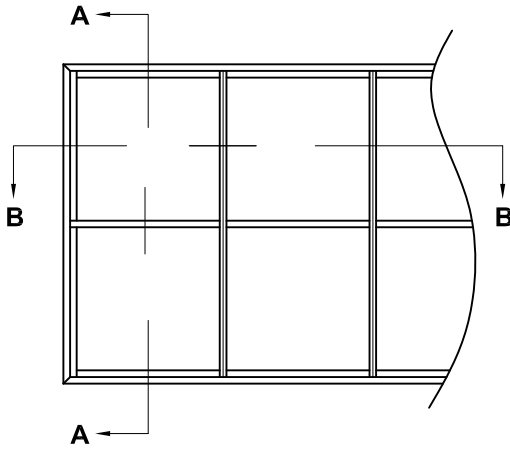


**40MM WINDOW SERIES**  
**STRIP WINDOW, DOUBLE GLAZED**  
**SPLIT MULLION OPTIONS**  
 CROSS SECTION

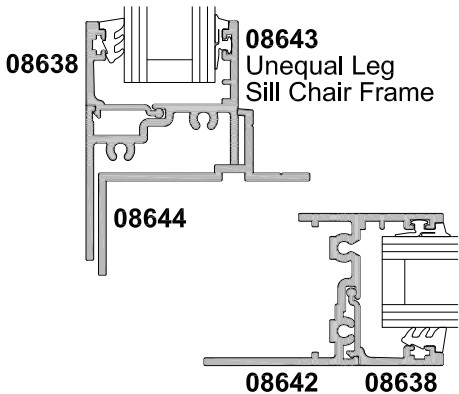
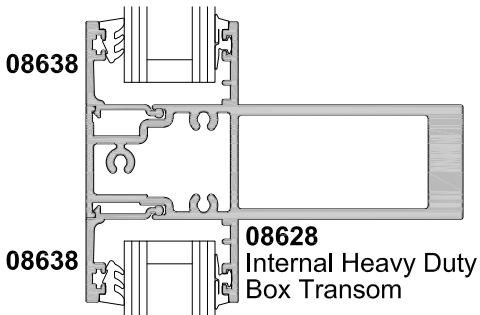
CAD REF. VC4005-0

DATE  
01.06.11

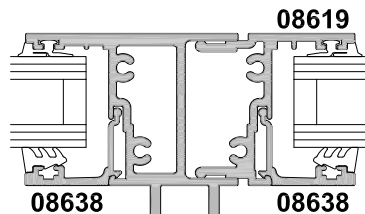
SCALE  
1:2



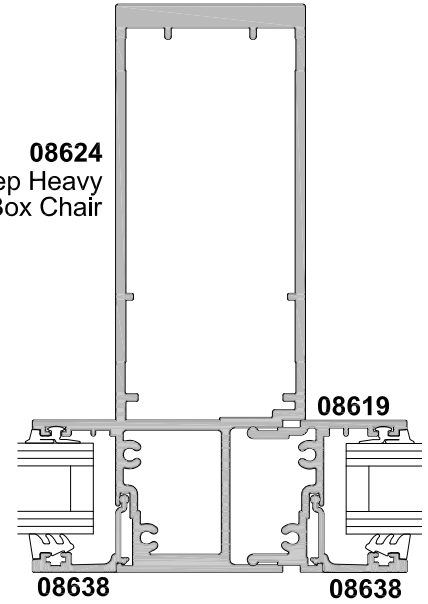
**SECTION A-A**



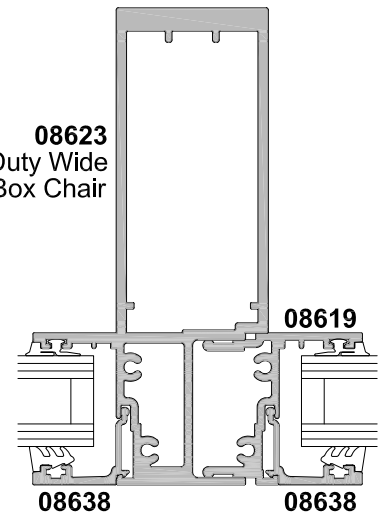
**SECTION B-B**



**08624**  
 Wide 110mm Deep Heavy  
 Duty Internal Box Chair



**08623**  
 Deep Heavy Duty Wide  
 Internal Box Chair



**08622**  
 Heavy Duty Wide  
 Internal Box Chair

