

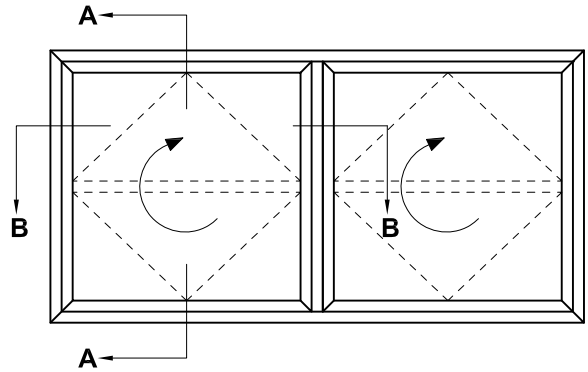
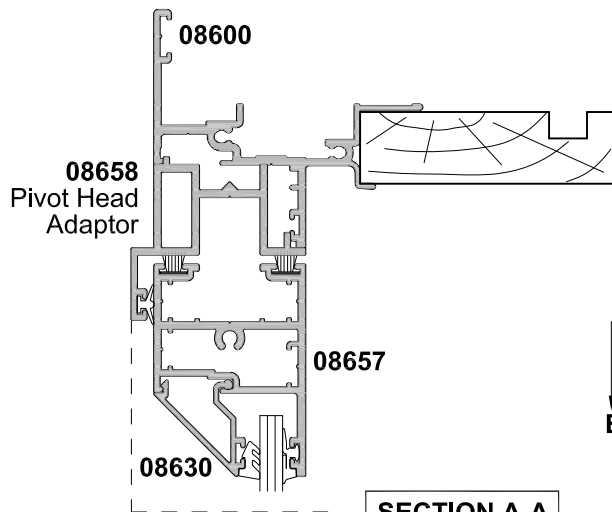


**40MM WINDOW SERIES
PIVOT WINDOW
CROSS SECTION**

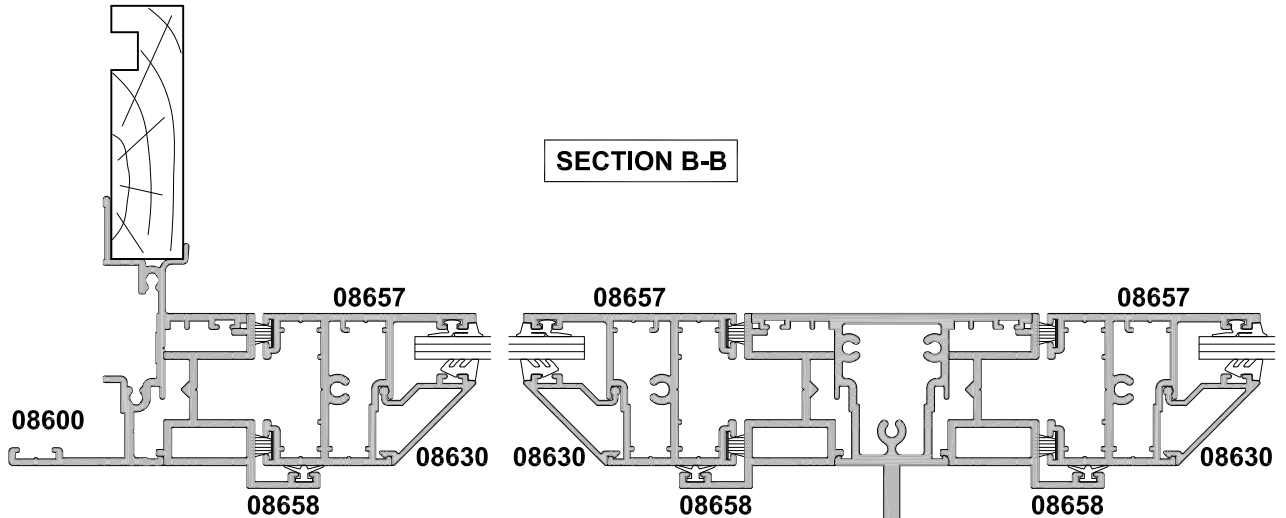
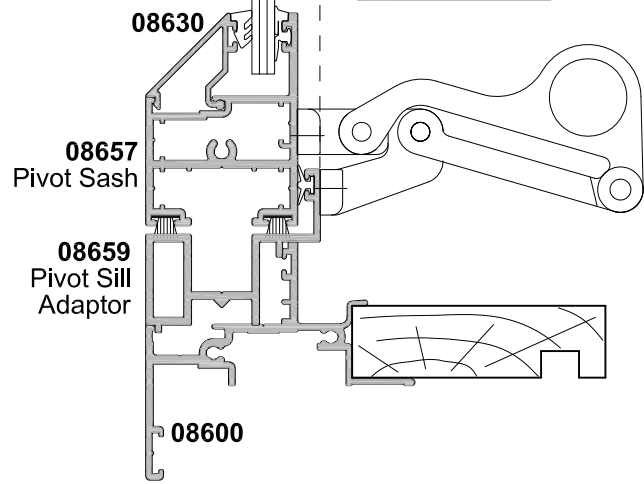
CAD REF. VC4008-0

DATE
01.06.11

SCALE
1:2



SECTION A-A



SECTION B-B

08615 External Fin Mullion
Refer to tables for span requirements