

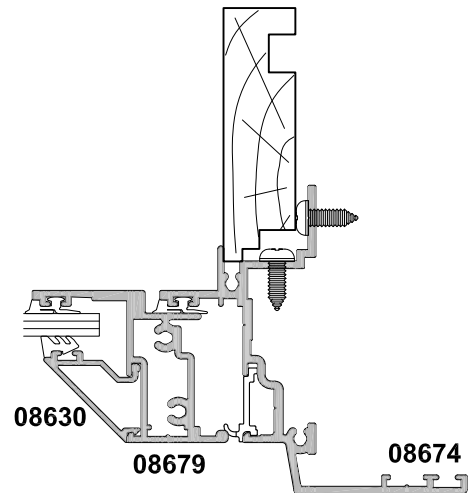
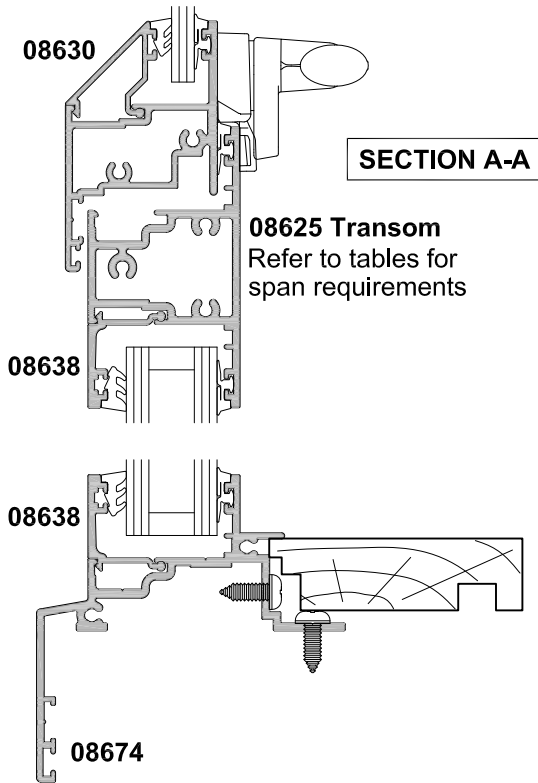
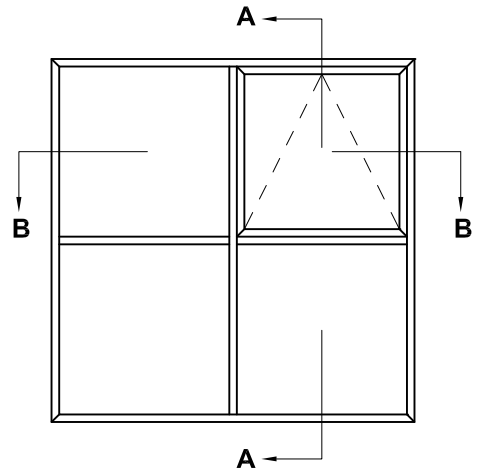
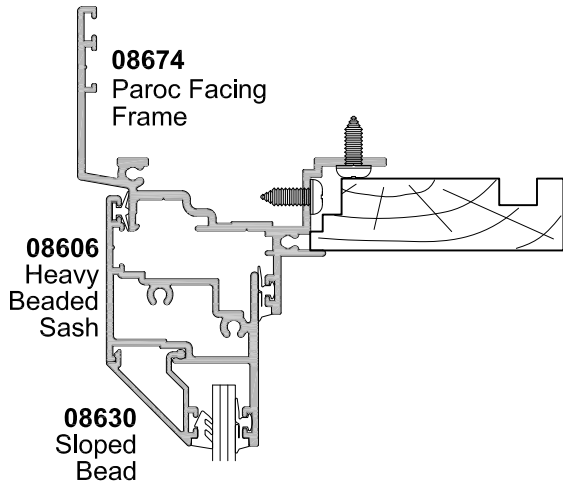


**40MM WINDOW SERIES  
INSULATED FACADE  
WALL CLADDINGS  
CROSS SECTION**

CAD REF. VC4013-0

DATE  
01.06.11

SCALE  
1:2



**NON FACING SASH OPTION**

Liners fitted after  
window installation

