

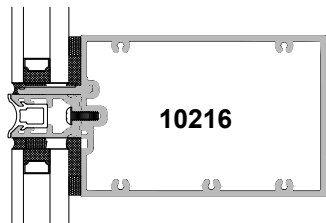
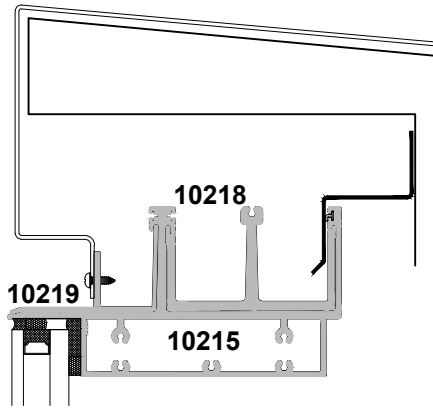


**168MM STRUCTURAL GLAZE
THERMAL CURTAIN WALL
THERMALLY SHIELDED
CROSS SECTION**

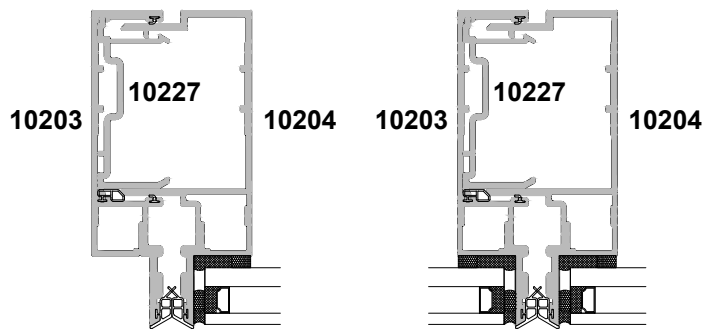
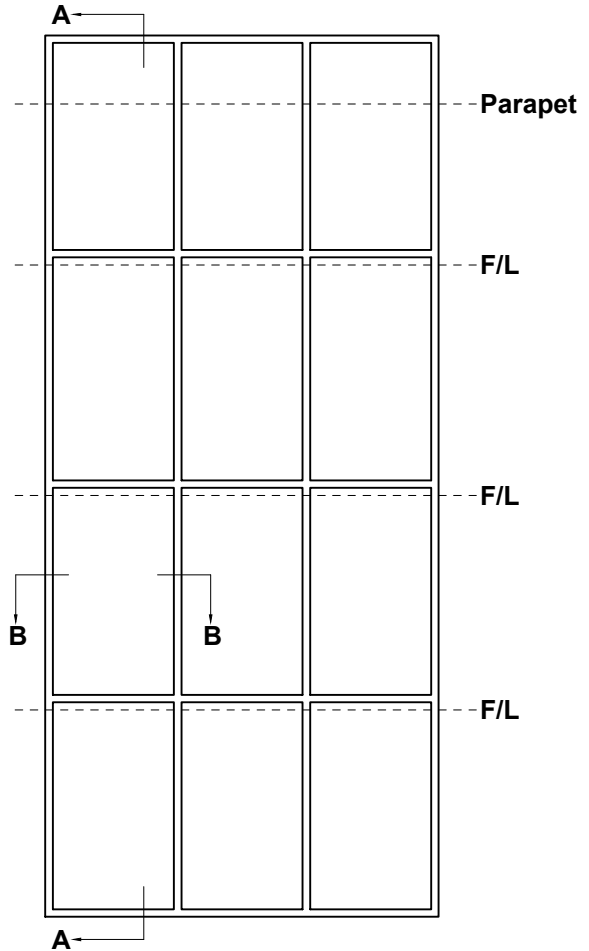
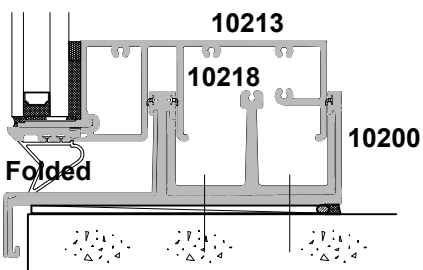
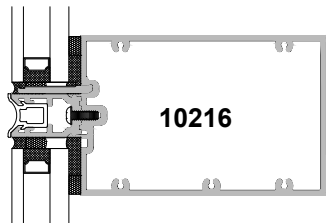
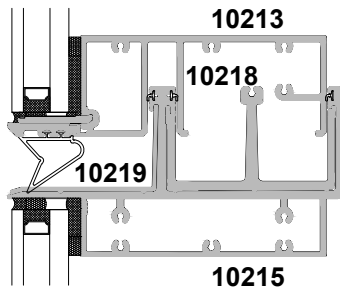
CAD REF. VCSTG01-0

DATE
01.04.17

SCALE
1:4



SECTION A-A



SECTION B-B