

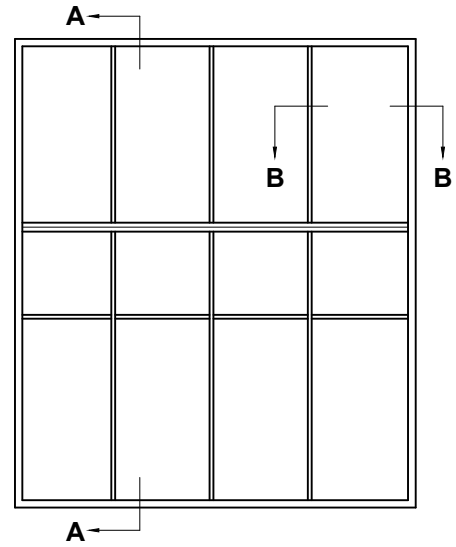
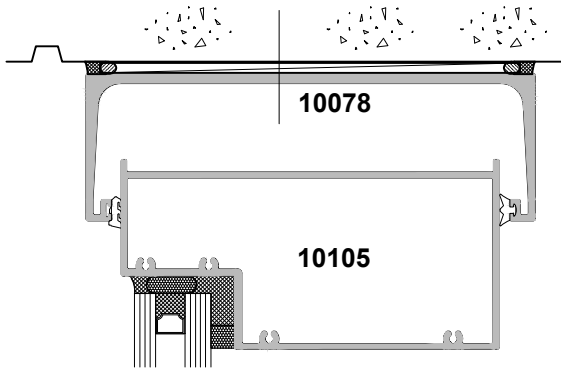


150MM STRUCTURAL GLAZED SYSTEM DOUBLE GLAZED, SEISMIC SYSTEM CROSS SECTION

CAD REF. VCSG10-0

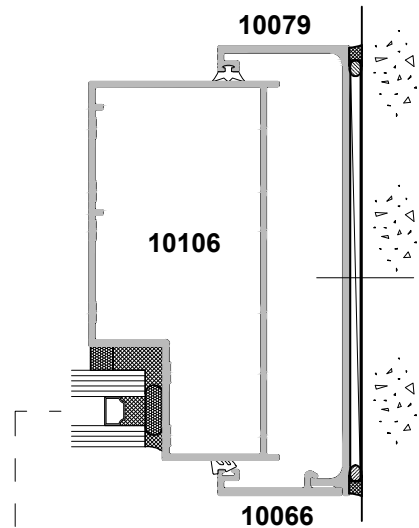
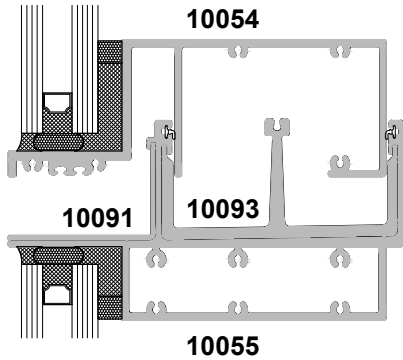
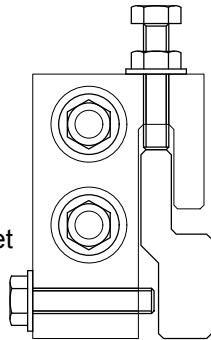
DATE
01.04.17

SCALE
1:3

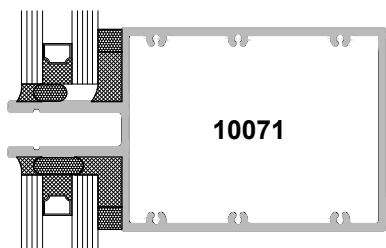


SECTION A-A

Deadload Bracket
(design specific)



SECTION B-B



Deadload Bracket
(design specific)

