

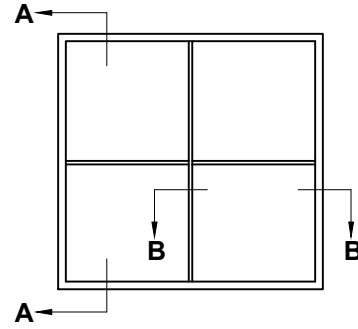
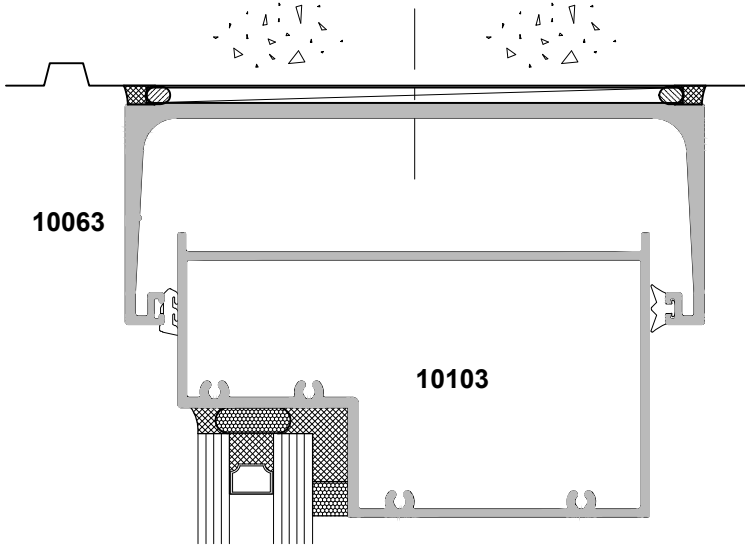


**125MM STRUCTURAL GLAZED SYSTEM**  
**DOUBLE GLAZED, SEISMIC SYSTEM**  
CROSS SECTION

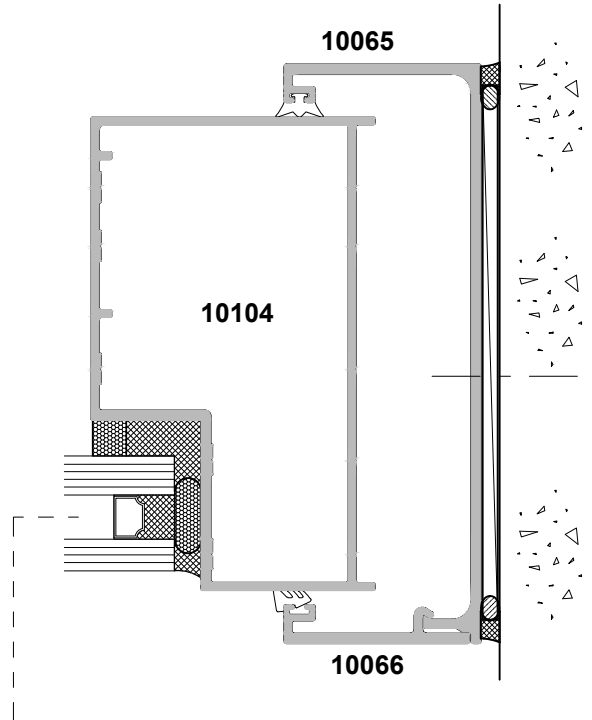
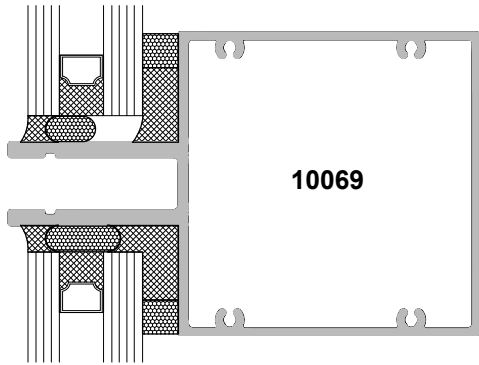
CAD REF. VCSG01-0

DATE  
01.04.17

SCALE  
1:2



**SECTION A-A**



**SECTION B-B**

