

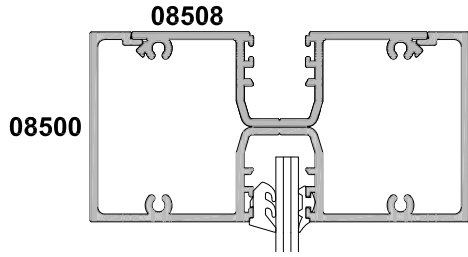


**100MM SHOPFRONT
BOX TRANSOM,
SPLIT MULLION, FACET & 90° CORNERS**
CROSS SECTION

CAD REF. VCSF07-0

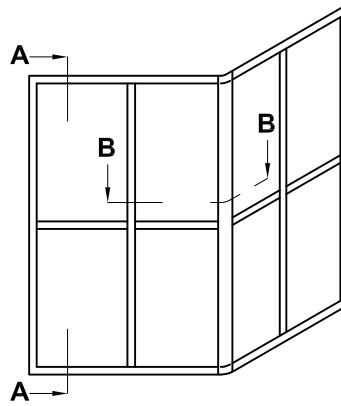
DATE
01.06.11

SCALE
1:2

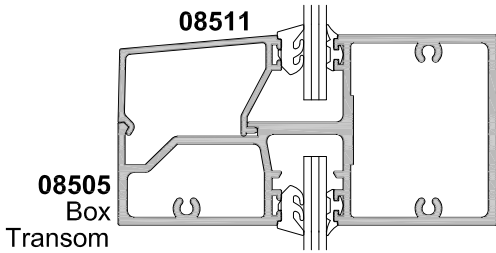


08500

08508

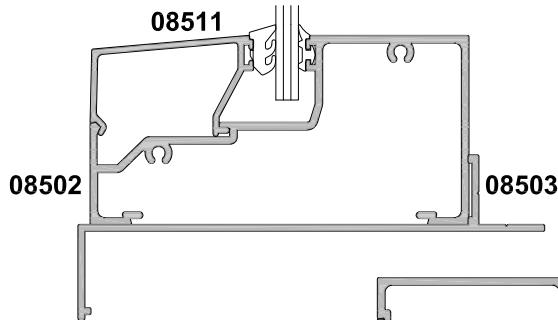
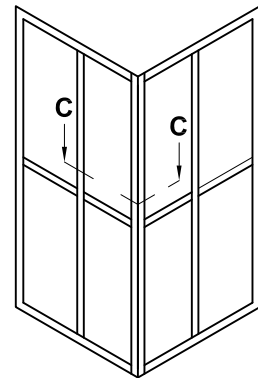


SECTION A-A



08505
Box
Transom

08511

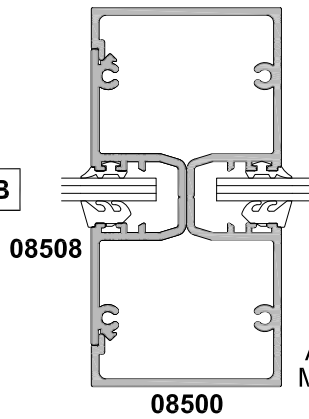


08502

08511

08503

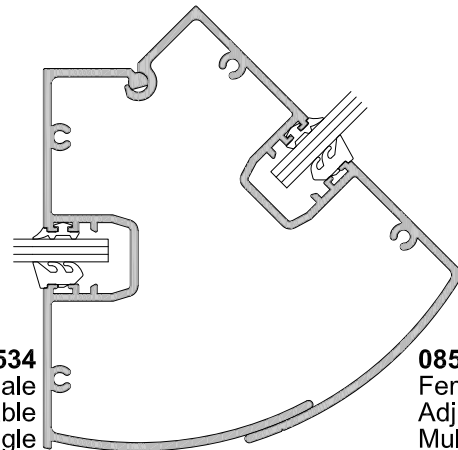
SECTION B-B



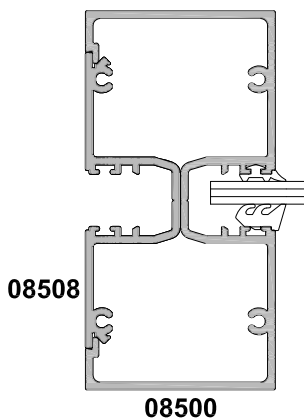
08508

08500

08534
Male
Adjustable
Multi Angle
Mullion



08535
Female
Adjustable
Multi Angle
Mullion

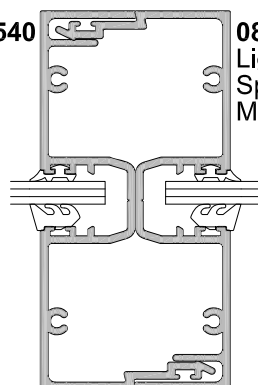


08508

08500

08540

08540
Light
Split
Mullion



08508

08515

08542
Three Way
Closer
90° Corner
Post

SECTION C-C