

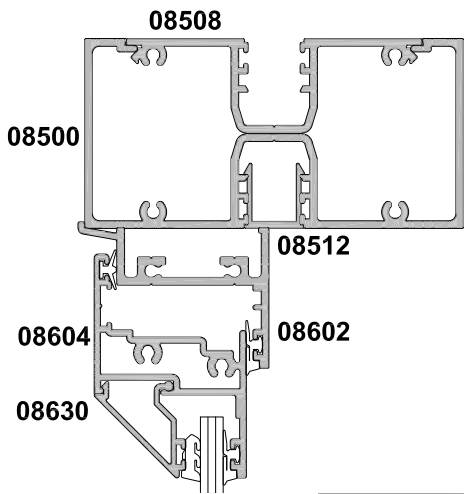


**100MM SHOPFRONT
40MM AWNING WINDOW
AND MAGNUM 50 PIVOT DOOR
CROSS SECTION**

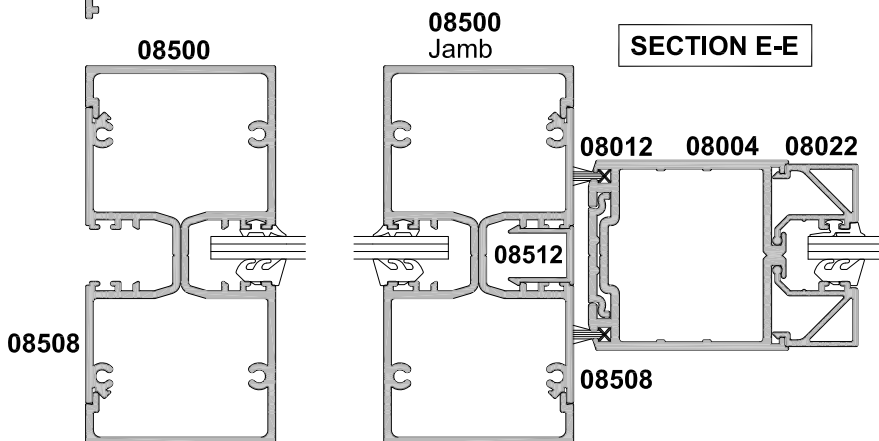
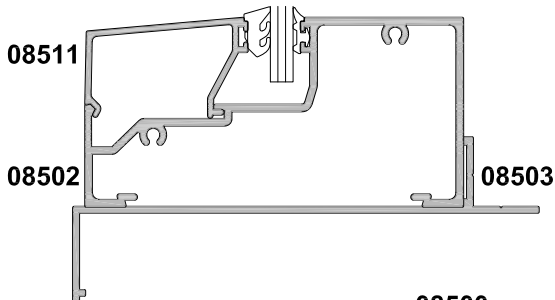
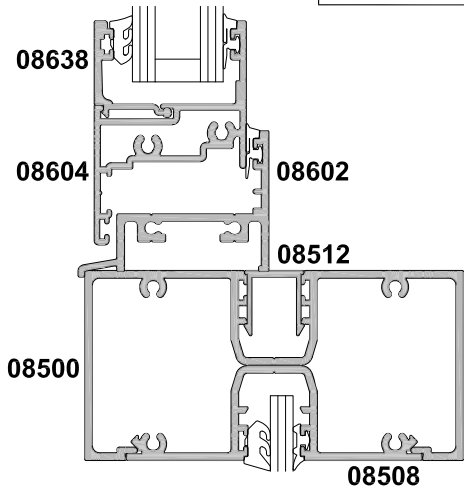
CAD REF. VCSF06-0

DATE
01.06.11

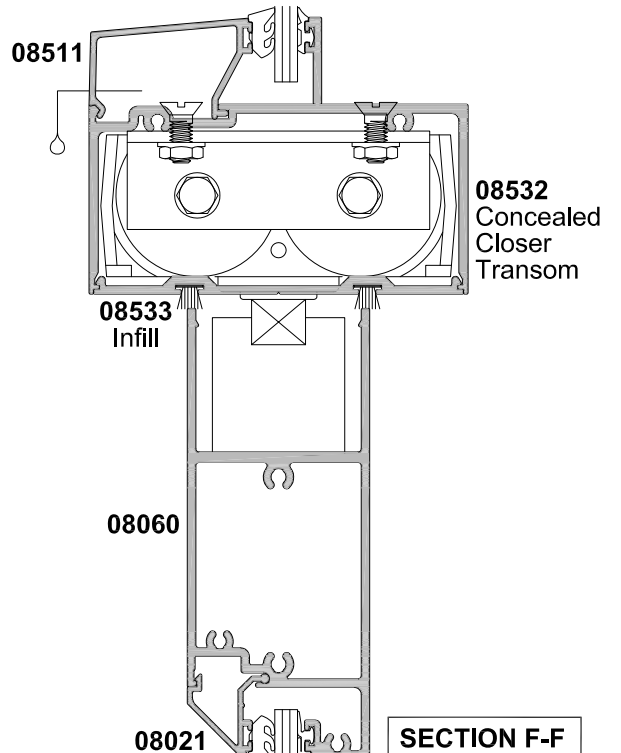
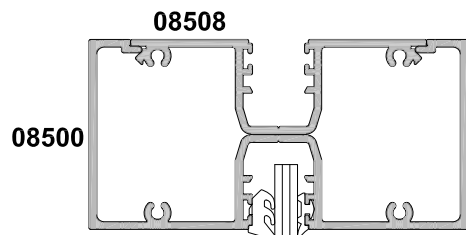
SCALE
1:2



SECTION D-D



SECTION E-E



SECTION F-F

