



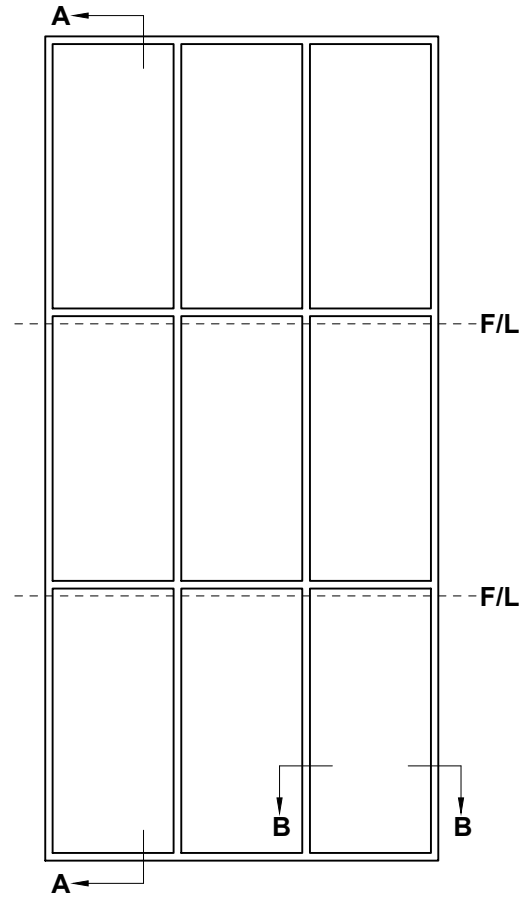
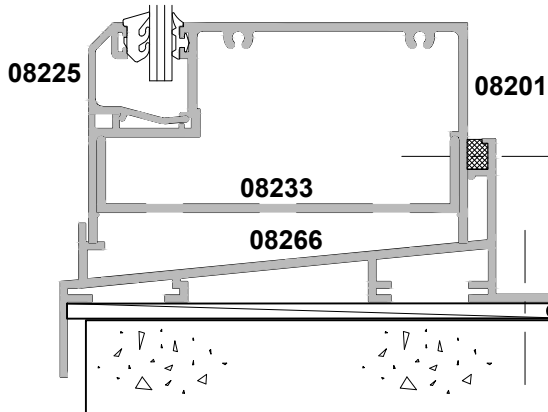
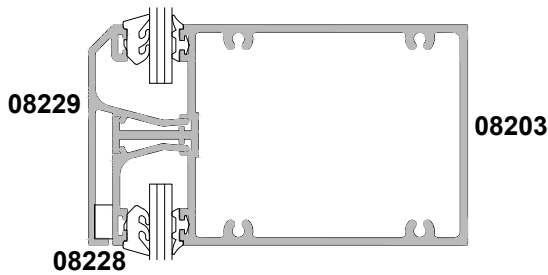
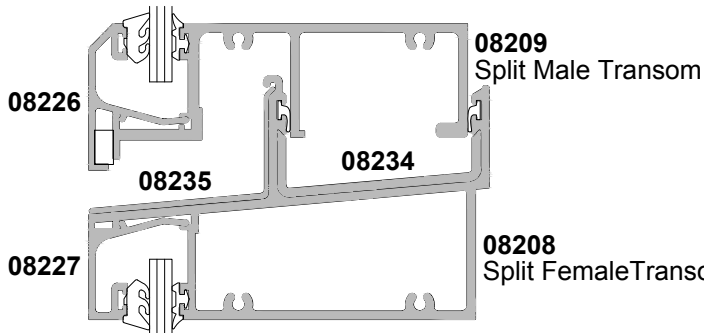
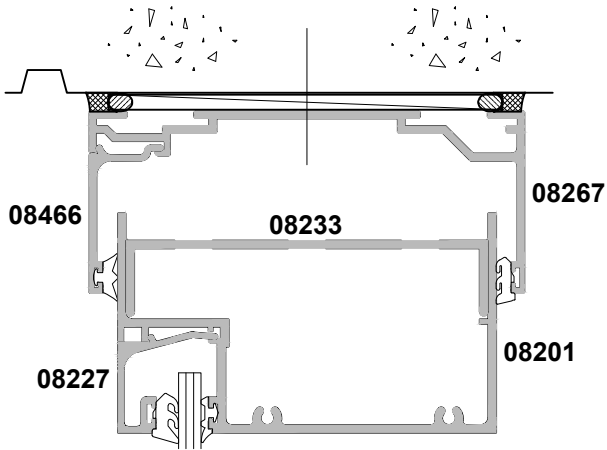
**100MM FLUSHGLAZE
SINGLE GLAZED, SEISMIC SYSTEM
STRUCTURALLY GLAZED MULLION
CROSS SECTION**

CAD REF. VCFG02-0

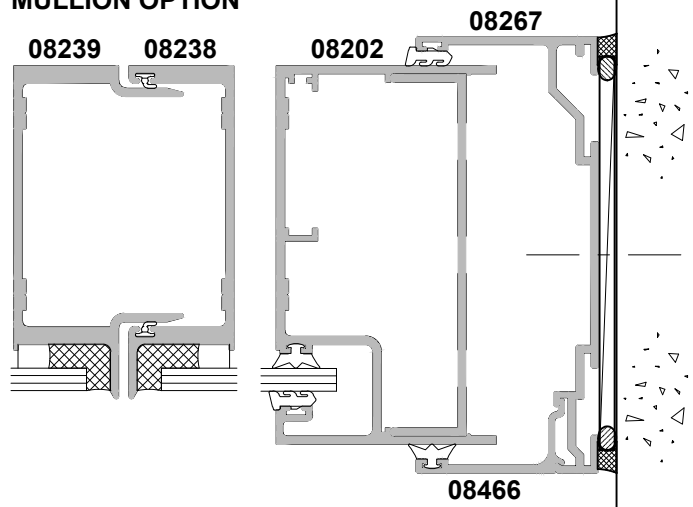
DATE
01.08.16

SCALE
1:2

SECTION A-A



**STRUCTURAL
MULLION OPTION**



SECTION B-B