

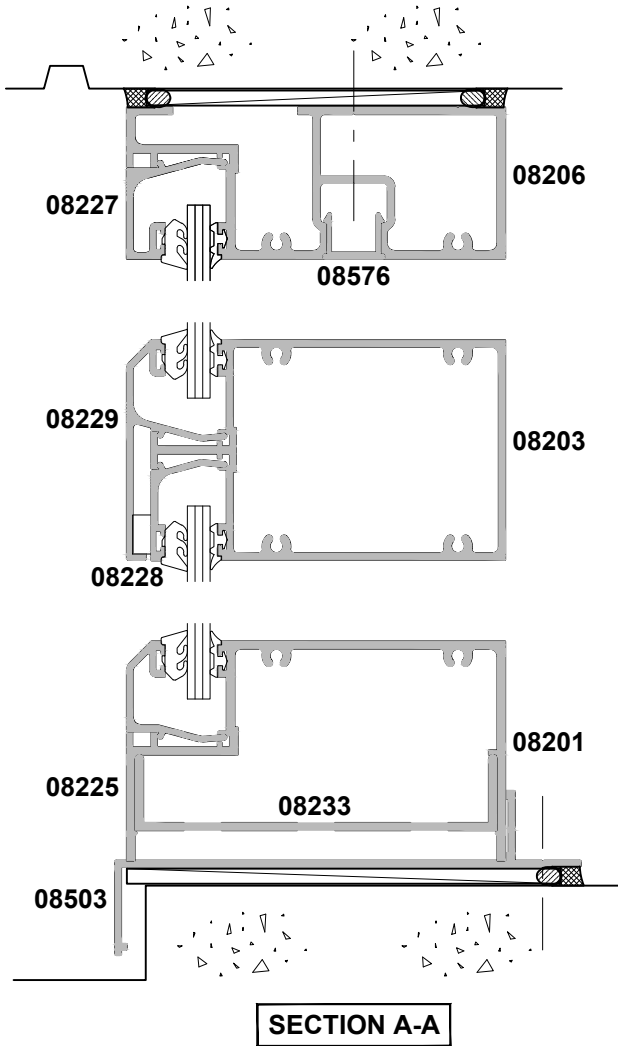


**100MM FLUSHGLAZE
SINGLE GLAZED, FIXED SYSTEM
CROSS SECTION**

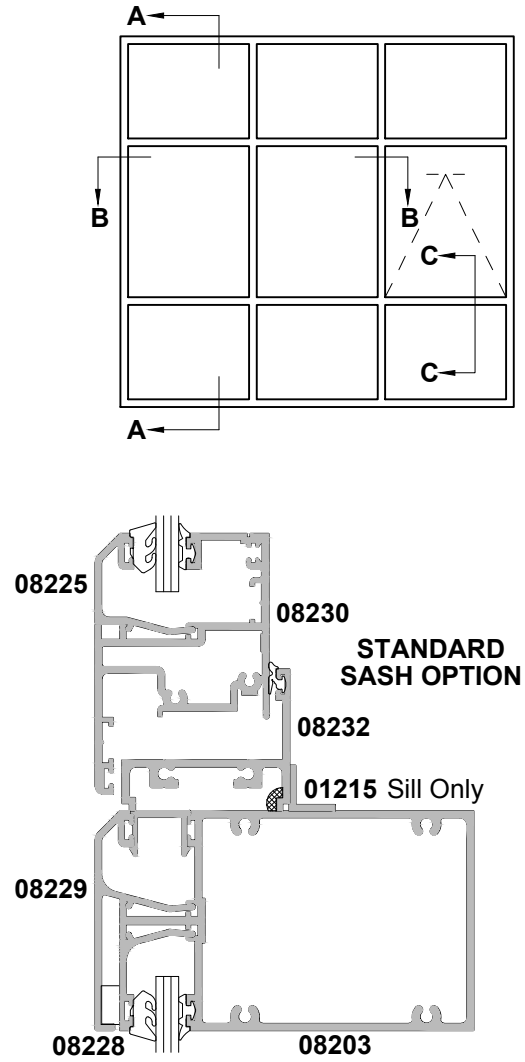
CAD REF. VCFG01-0

DATE
01.08.16

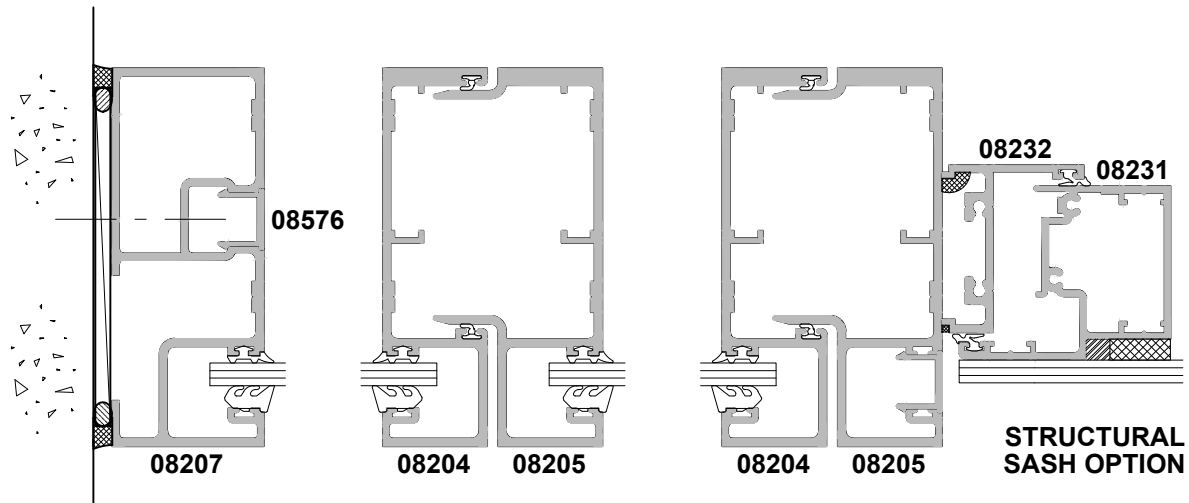
SCALE
1:2



SECTION A-A



SECTION C-C



SECTION B-B