

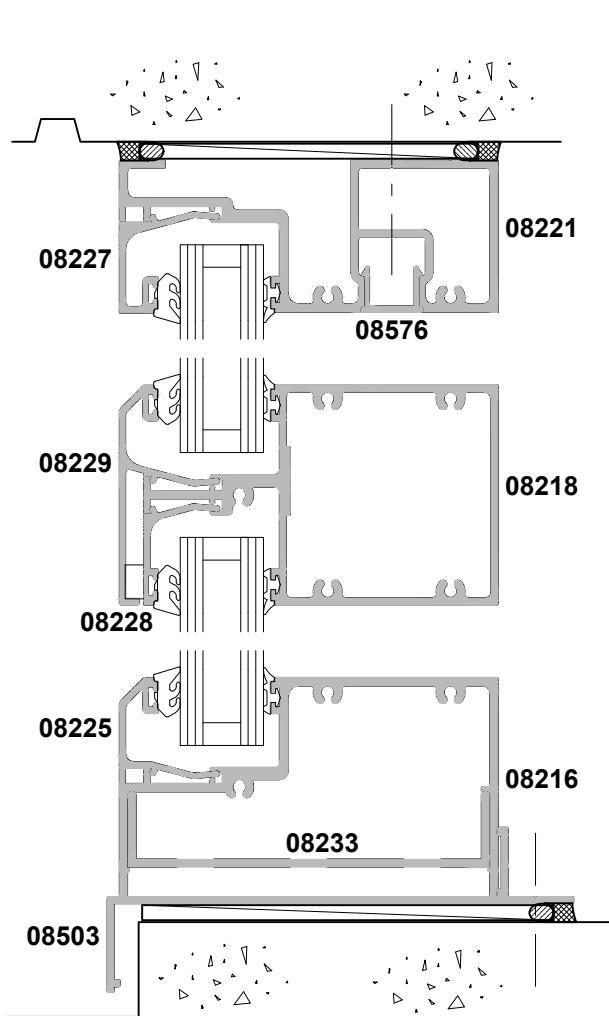


**100MM FLUSHGLAZE
DOUBLE GLAZED, FIXED SYSTEM
CROSS SECTION**

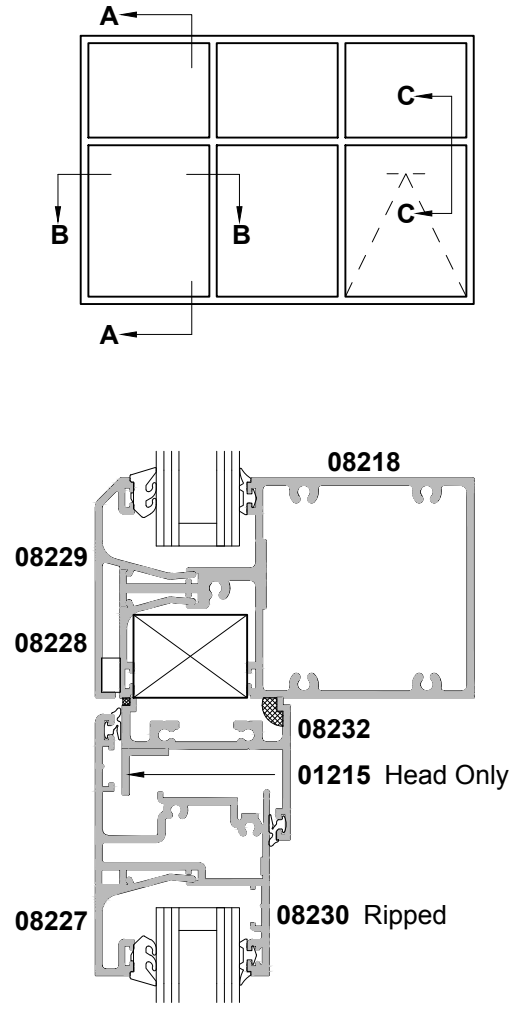
CAD REF. VCFG05-0

DATE
01.08.16

SCALE
1:2

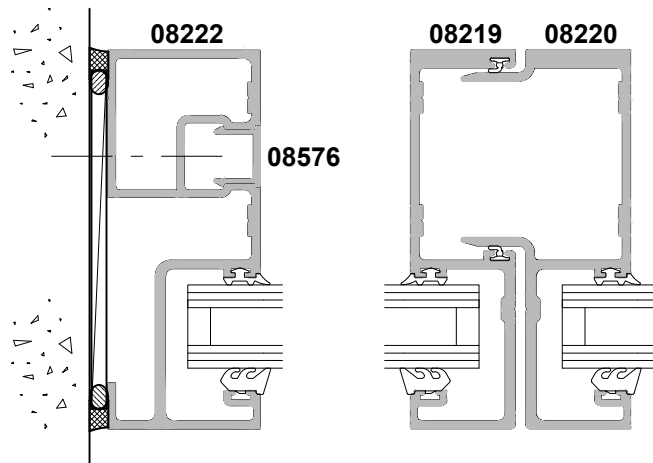


SECTION A-A



SASH OPTION

SECTION C-C



SECTION B-B