

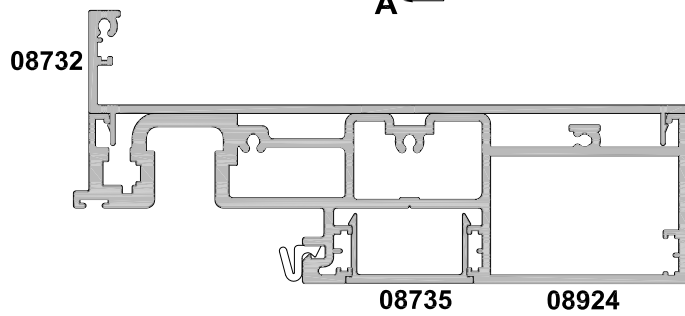
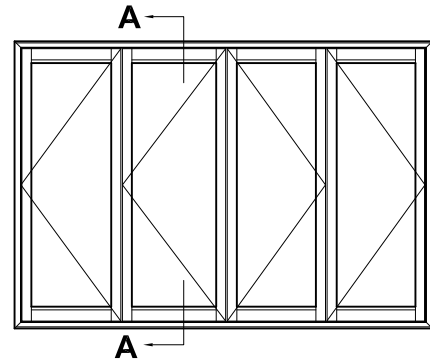
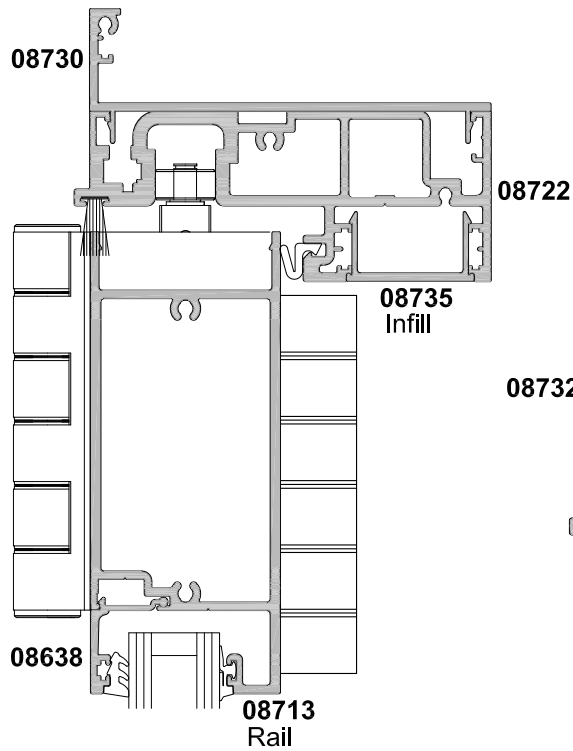


**APL ARCHITECTURAL SERIES**  
**TYPICAL BI-FOLD DOOR**  
 CROSS SECTION

CAD REF. VABD03-0

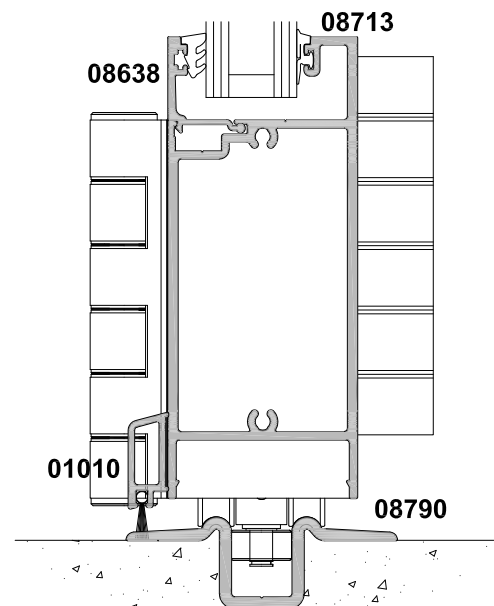
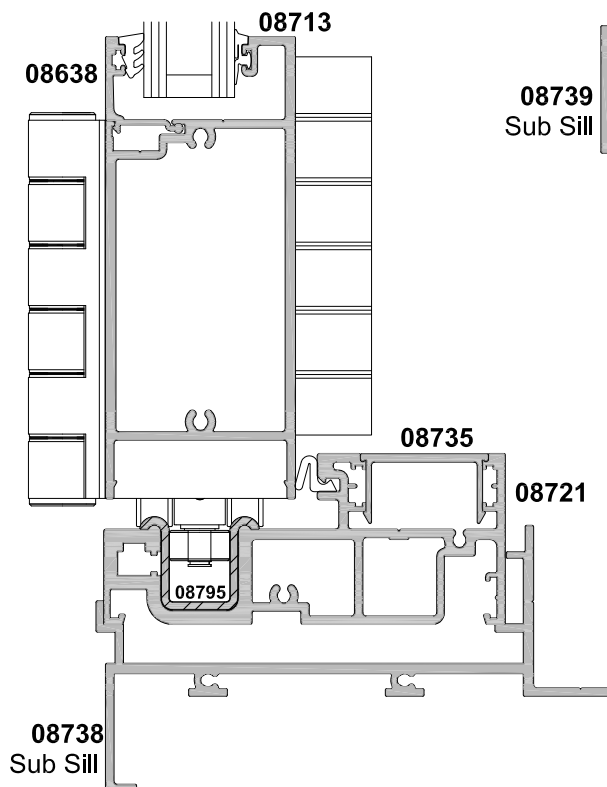
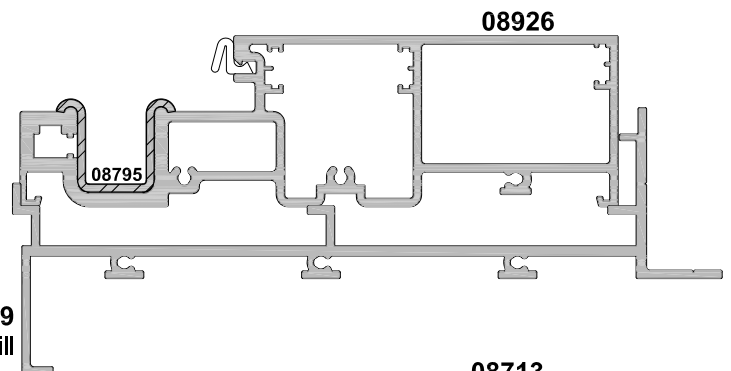
DATE  
01.06.11

SCALE  
1:2



**158MM FRAME OPTION**

**SECTION A-A**



**FLUSH SILL OPTION**  
 For sheltered locations only