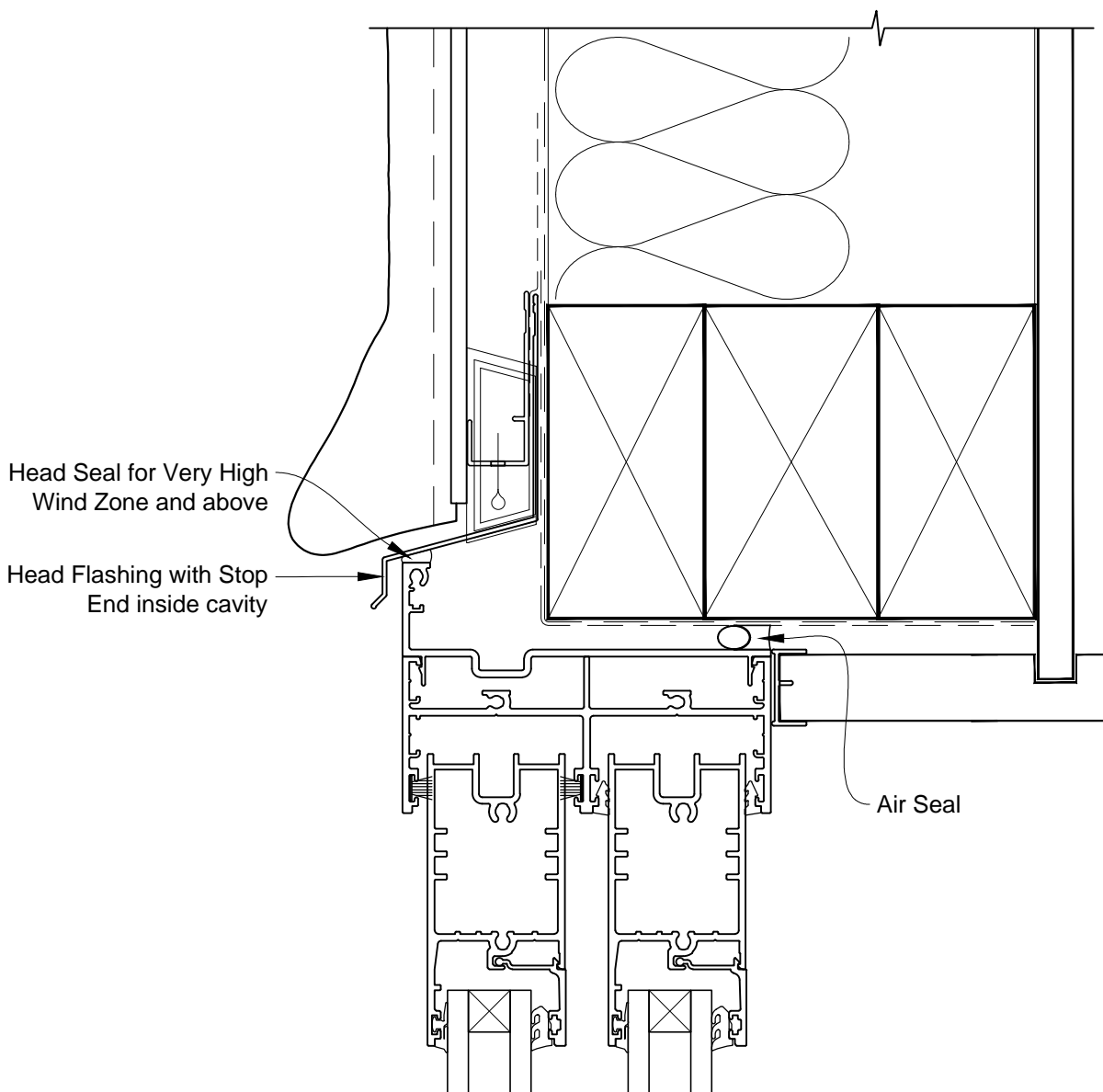


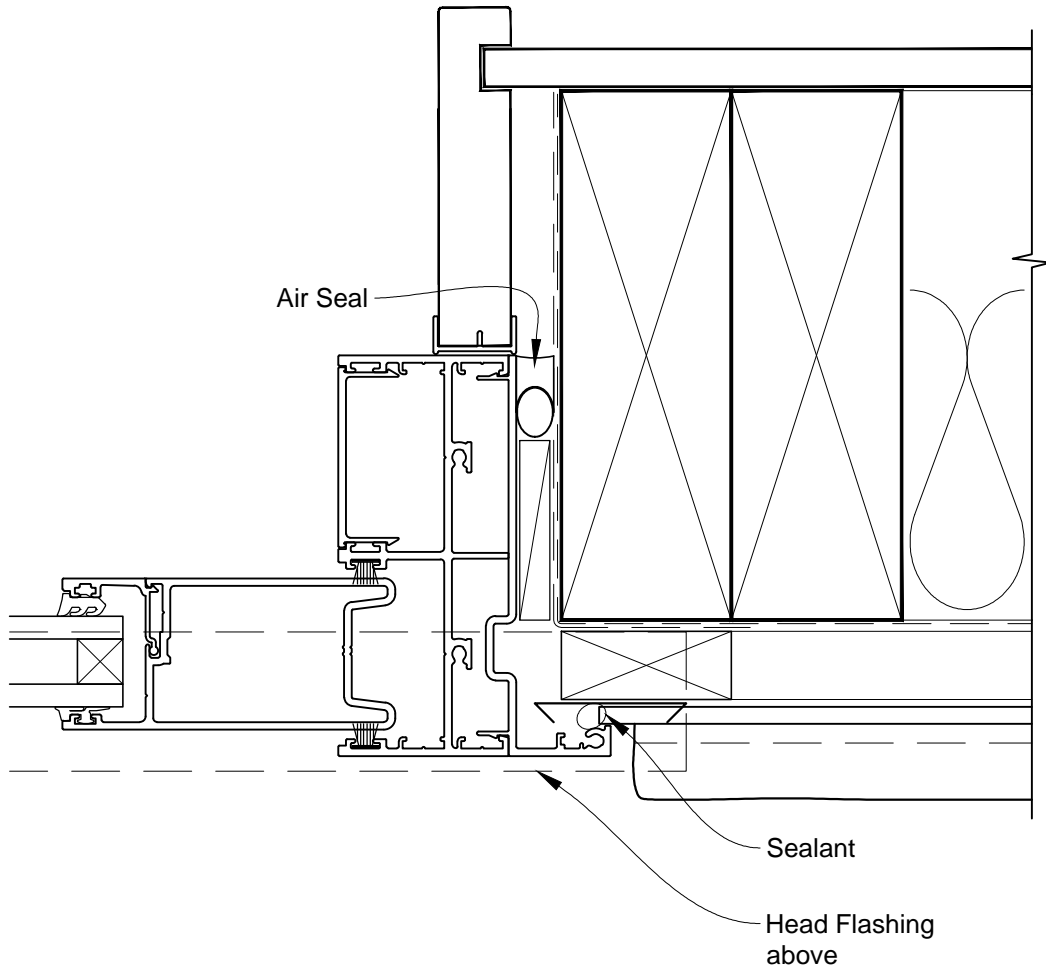
INSTALLATION DETAIL - ARCHITECTURAL SERIES SLIDING WINDOW ON STUCCO CAVITY CONSTRUCTION

Date: 01.03.14 Scale: 1:2 CAD Ref.: ASSWST-CH



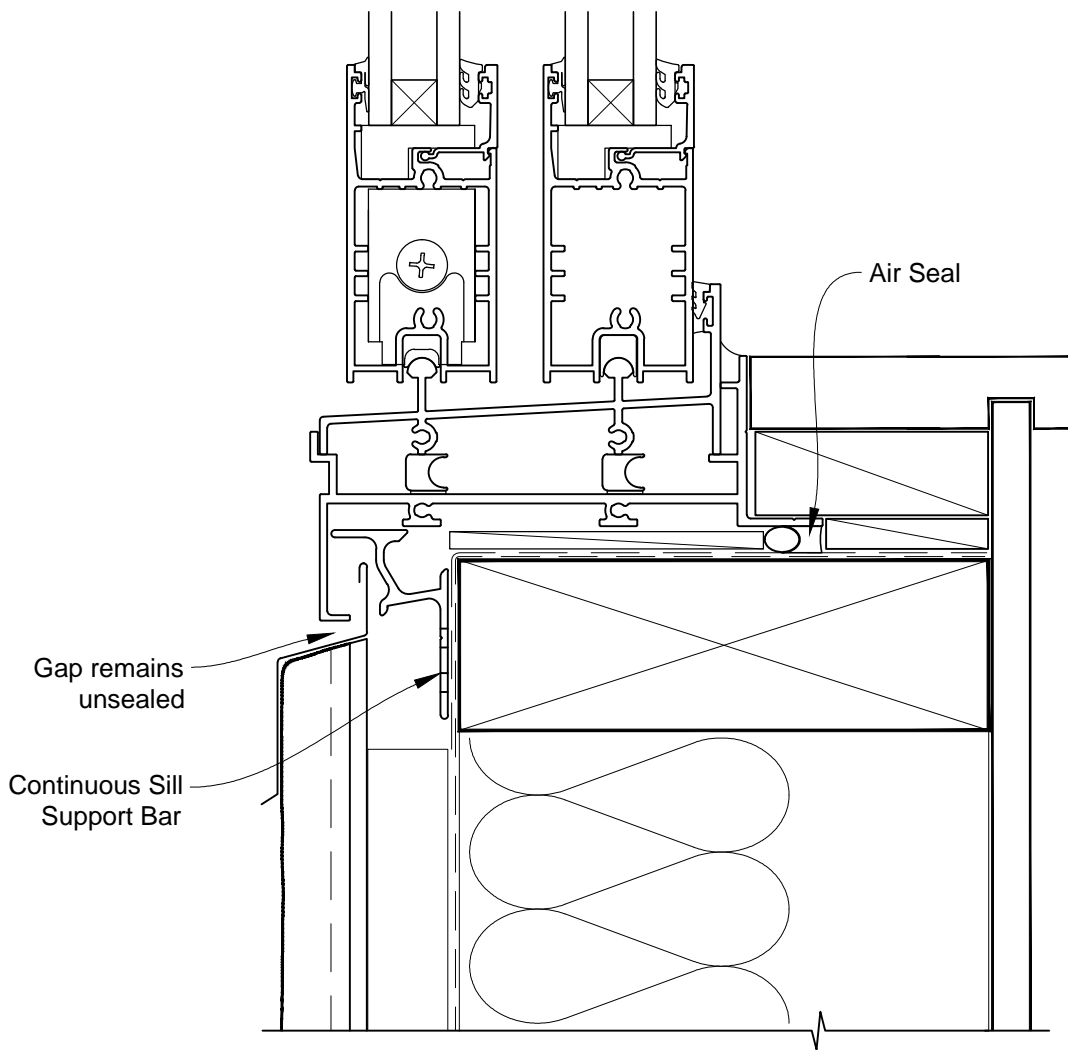
INSTALLATION DETAIL - ARCHITECTURAL SERIES SLIDING WINDOW ON STUCCO CAVITY CONSTRUCTION

Date: 01.03.14 Scale: 1:2 CAD Ref.: ASSWST-CJ



INSTALLATION DETAIL - ARCHITECTURAL SERIES SLIDING WINDOW ON STUCCO CAVITY CONSTRUCTION

Date: 01.03.14 Scale: 1:2 CAD Ref.: ASSWST-CS



INSTALLATION DETAIL - ARCHITECTURAL SERIES SLIDING WINDOW ON STUCCO CAVITY CONSTRUCTION

Date: 01.03.14

Scale: 1:2

CAD Ref.: ASSWST-CS2

