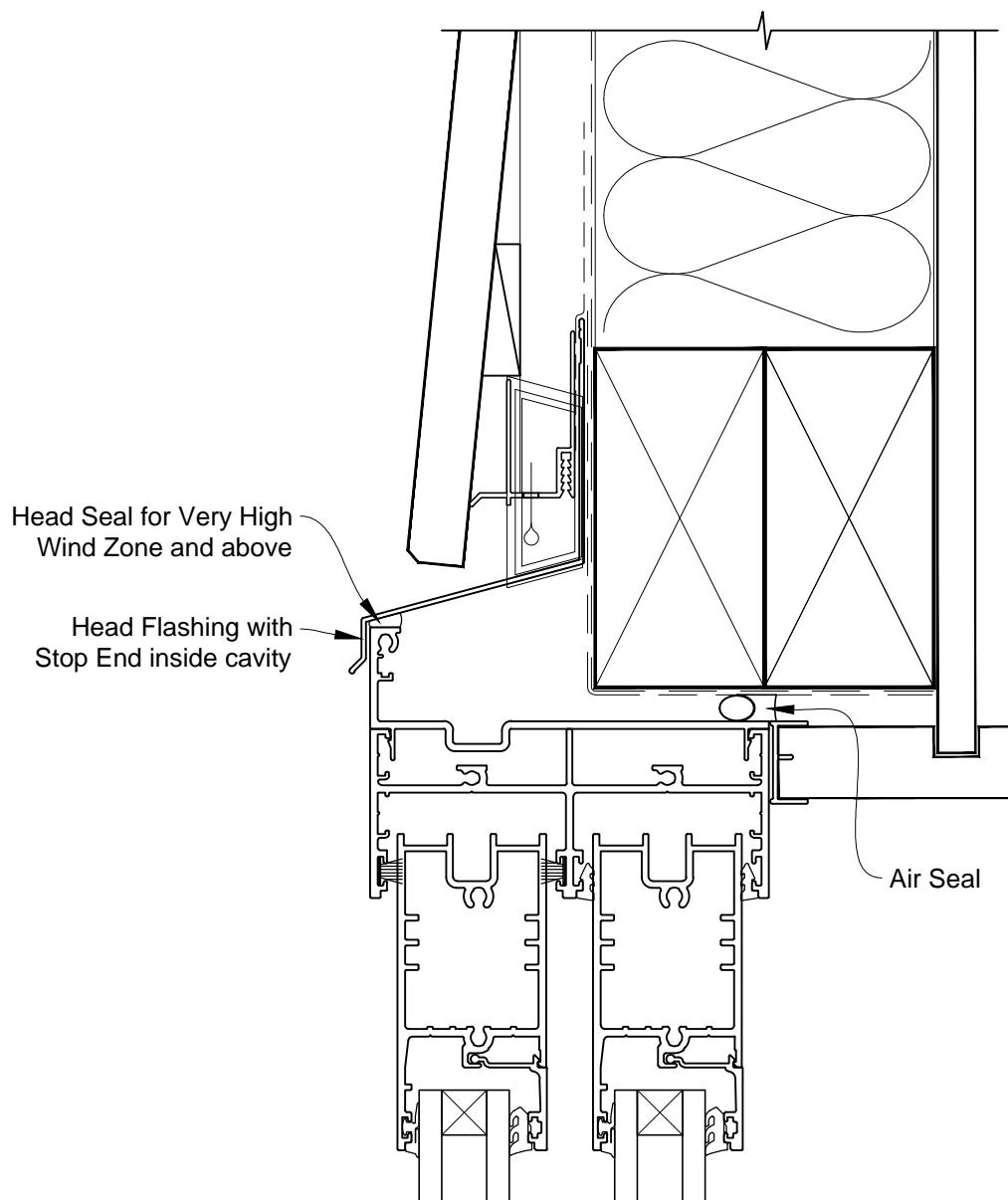


INSTALLATION DETAIL - ARCHITECTURAL SERIES SLIDING WINDOW ON BEVELBACK WEATHERBOARD CAVITY CONSTRUCTION

Date: 01.03.14 Scale: 1:2 CAD Ref.: ASSWBW-CH

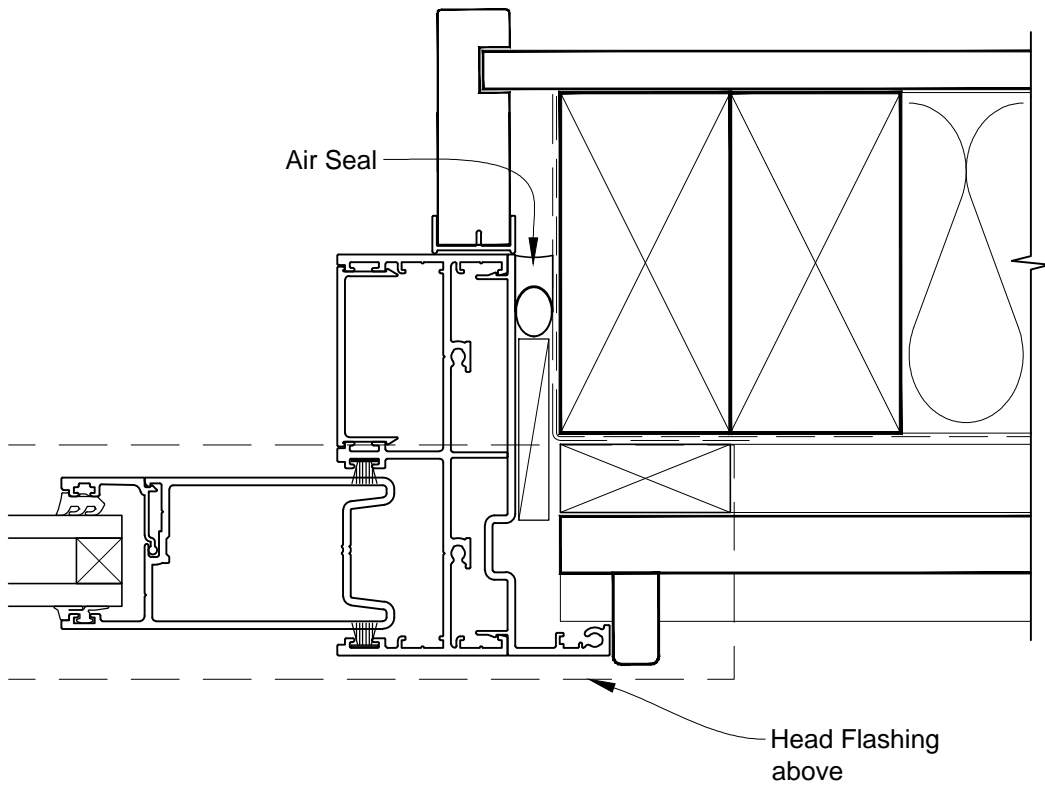


INSTALLATION DETAIL - ARCHITECTURAL SERIES SLIDING WINDOW ON BEVELBACK WEATHERBOARD CAVITY CONSTRUCTION

Date: 01.03.14

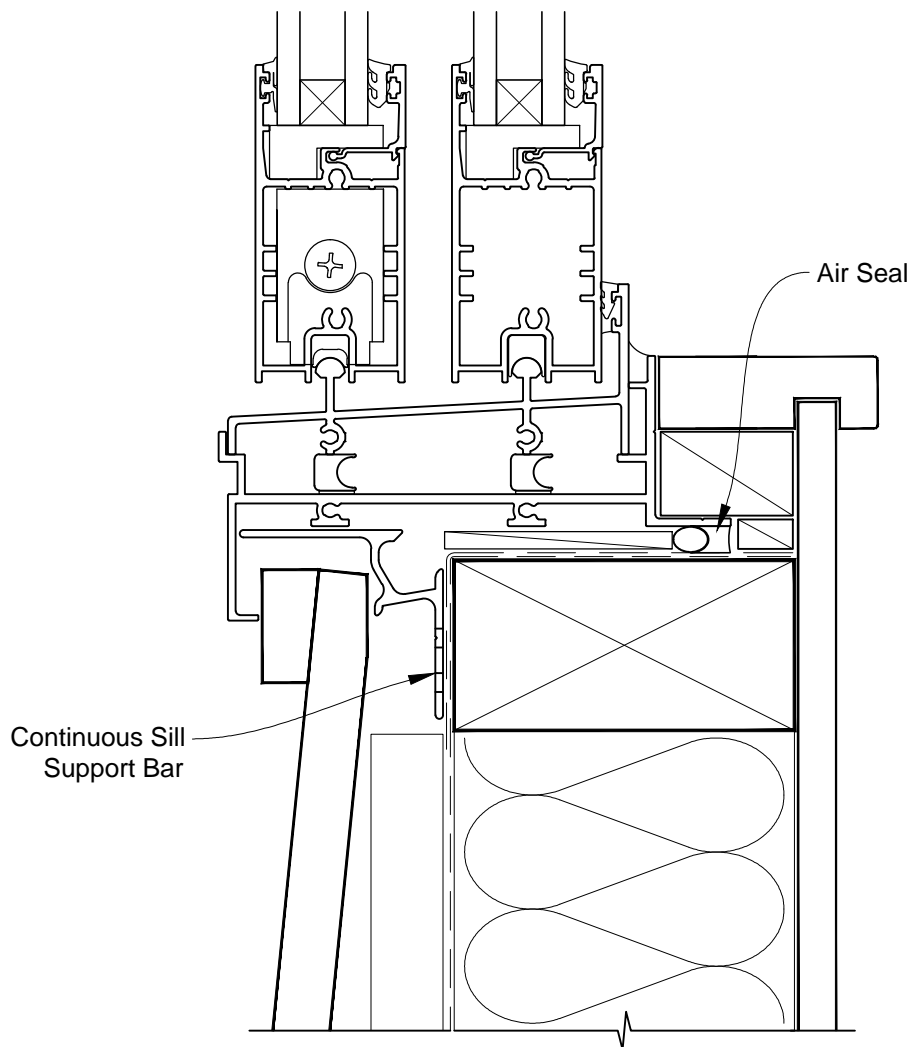
Scale: 1:2

CAD Ref.: ASSWBW-CJ



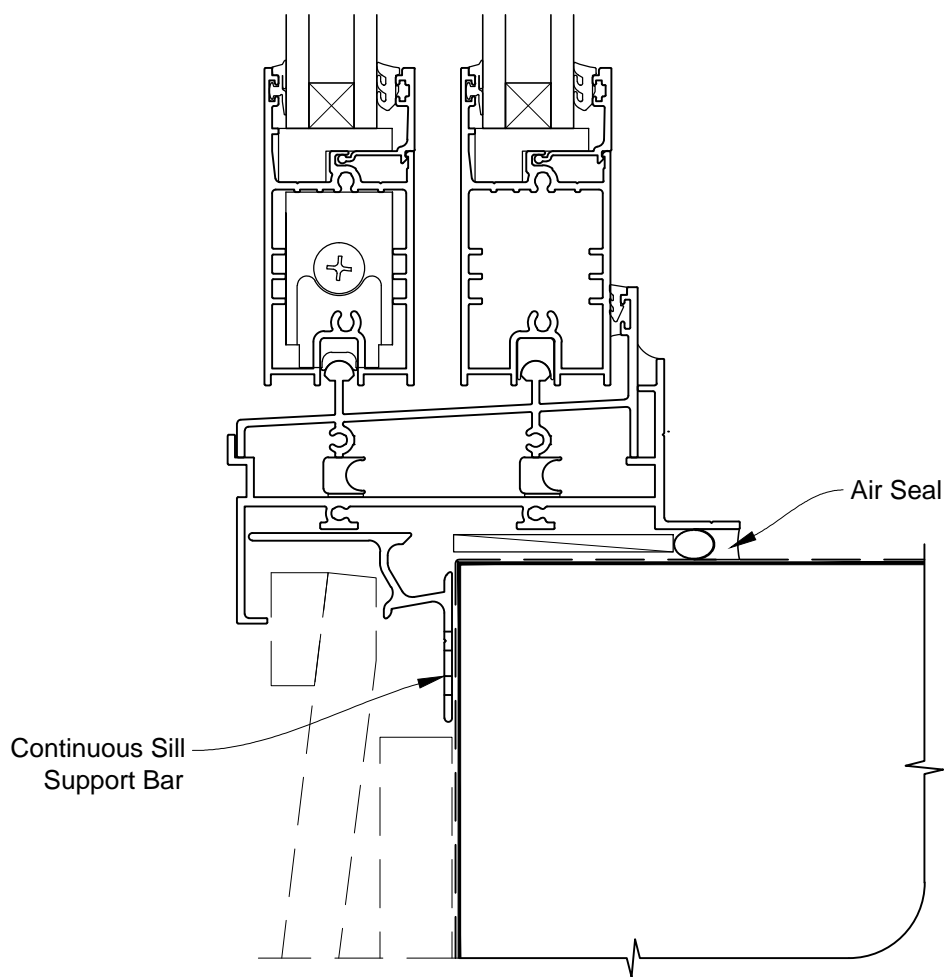
INSTALLATION DETAIL - ARCHITECTURAL SERIES SLIDING WINDOW ON BEVELBACK WEATHERBOARD CAVITY CONSTRUCTION

Date: 01.03.14 Scale: 1:2 CAD Ref.: ASSWBW-CS



INSTALLATION DETAIL - ARCHITECTURAL SERIES SLIDING WINDOW ON BEVELBACK WEATHERBOARD CAVITY CONSTRUCTION

Date: 01.03.14 Scale: 1:2 CAD Ref.: ASSWBW-CS2

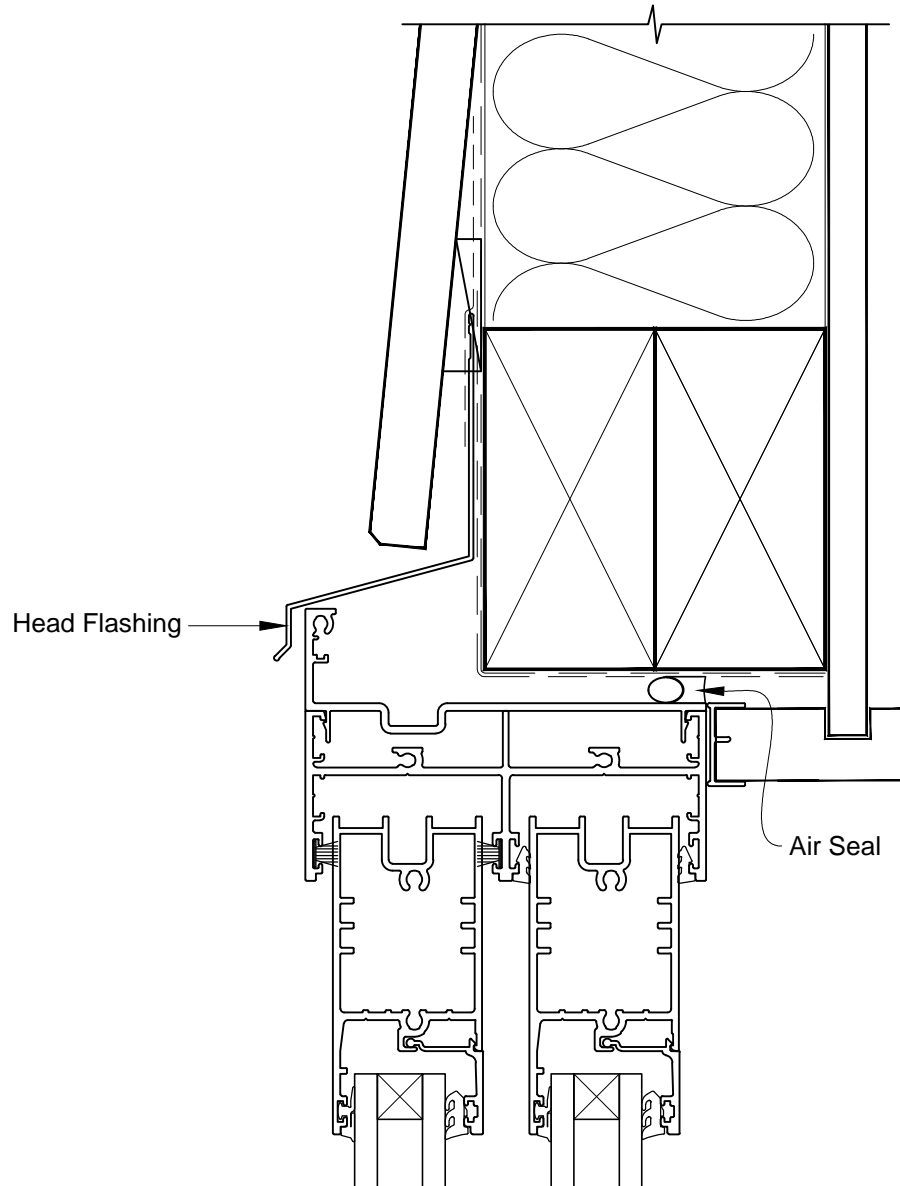


INSTALLATION DETAIL - ARCHITECTURAL SERIES SLIDING WINDOW ON BEVELBACK WEATHERBOARD DIRECT FIXED CLADDING

Date: 01.03.14

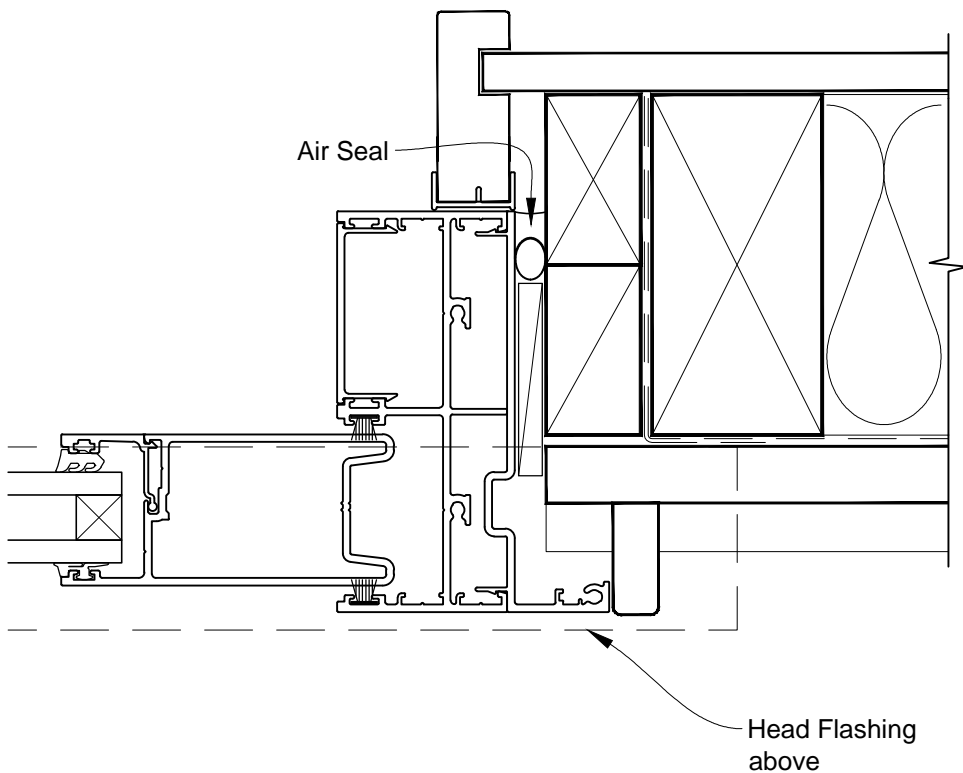
Scale: 1:2

CAD Ref.: ASSWBW-DH



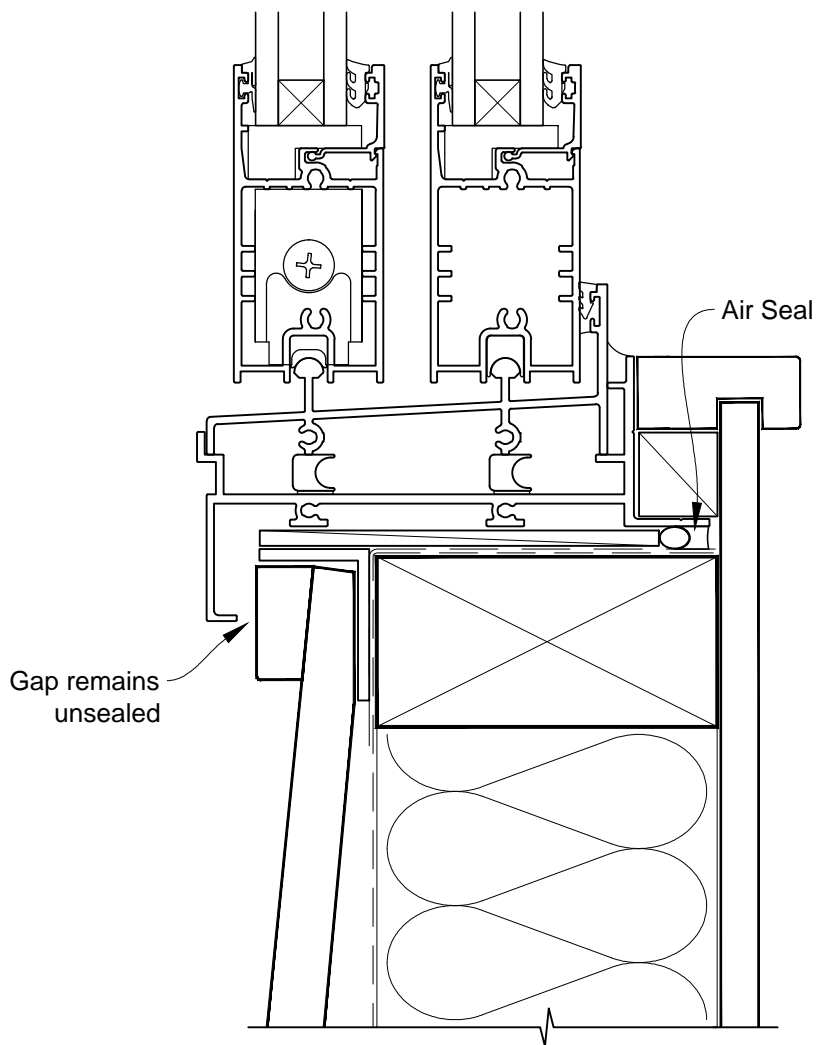
INSTALLATION DETAIL - ARCHITECTURAL SERIES SLIDING WINDOW ON BEVELBACK WEATHERBOARD DIRECT FIXED CLADDING

Date: 01.03.14 Scale: 1:2 CAD Ref.: ASSWBW-DJ



INSTALLATION DETAIL - ARCHITECTURAL SERIES SLIDING WINDOW ON BEVELBACK WEATHERBOARD DIRECT FIXED CLADDING

Date: 01.03.14 Scale: 1:2 CAD Ref.: ASSWBW-DS



INSTALLATION DETAIL - ARCHITECTURAL SERIES SLIDING WINDOW ON BEVELBACK WEATHERBOARD DIRECT FIXED CLADDING

Date: 01.03.14 Scale: 1:2 CAD Ref.: ASSWBW-DS2

