

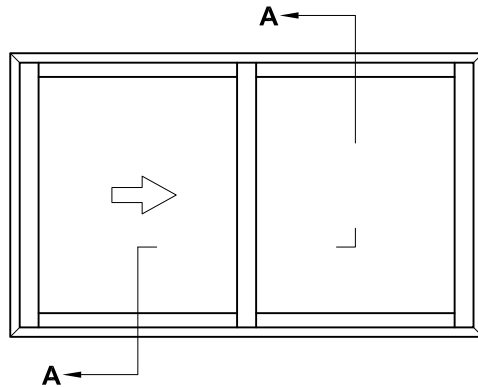


**APL ARCHITECTURAL SERIES
SLIDING WINDOW - TWIN TRACK
TWO PANEL SF (VERTICAL)
CROSS SECTION**

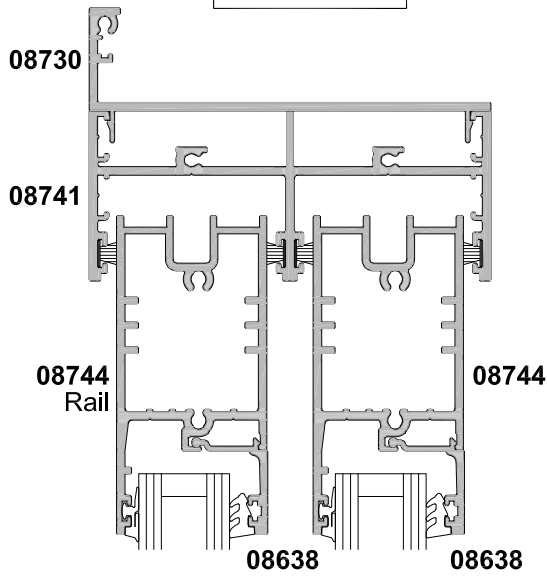
CAD REF. VASW03-0

DATE
27.09.19

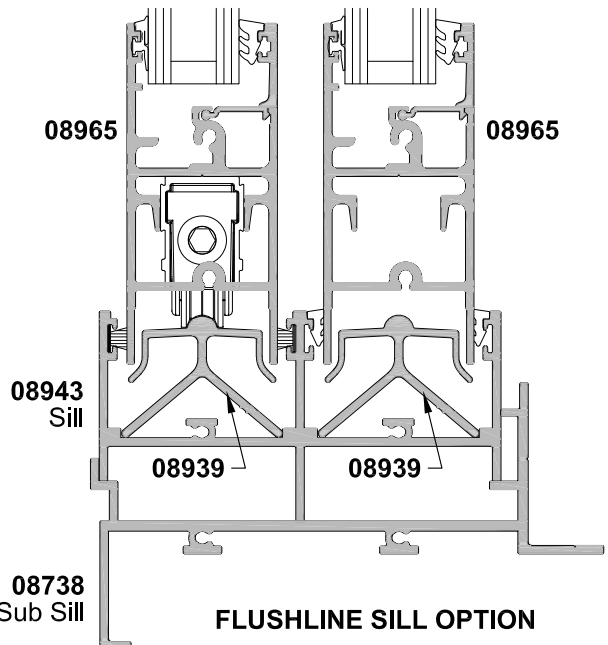
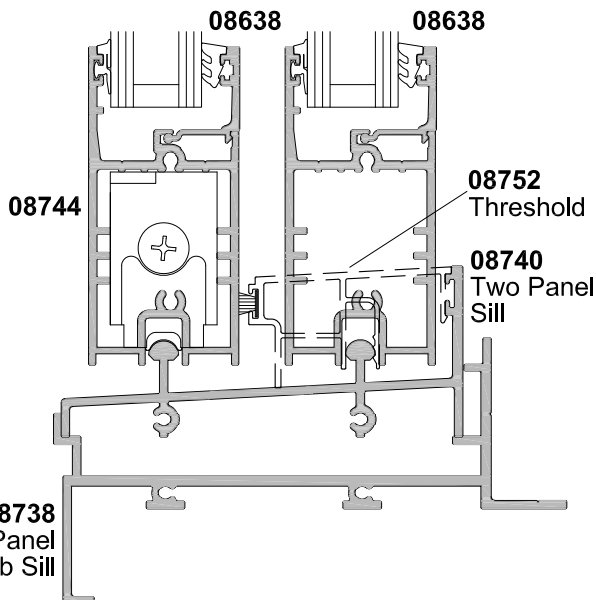
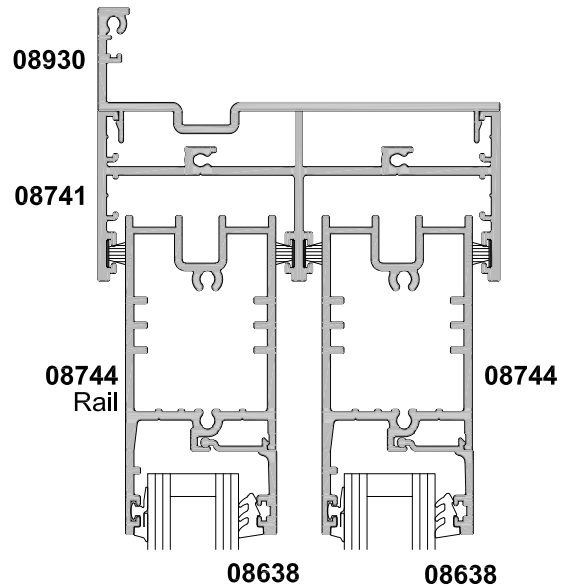
SCALE
1:2



SECTION A-A



106mm DRAINED FACING OPTION



FLUSHLINE SILL OPTION