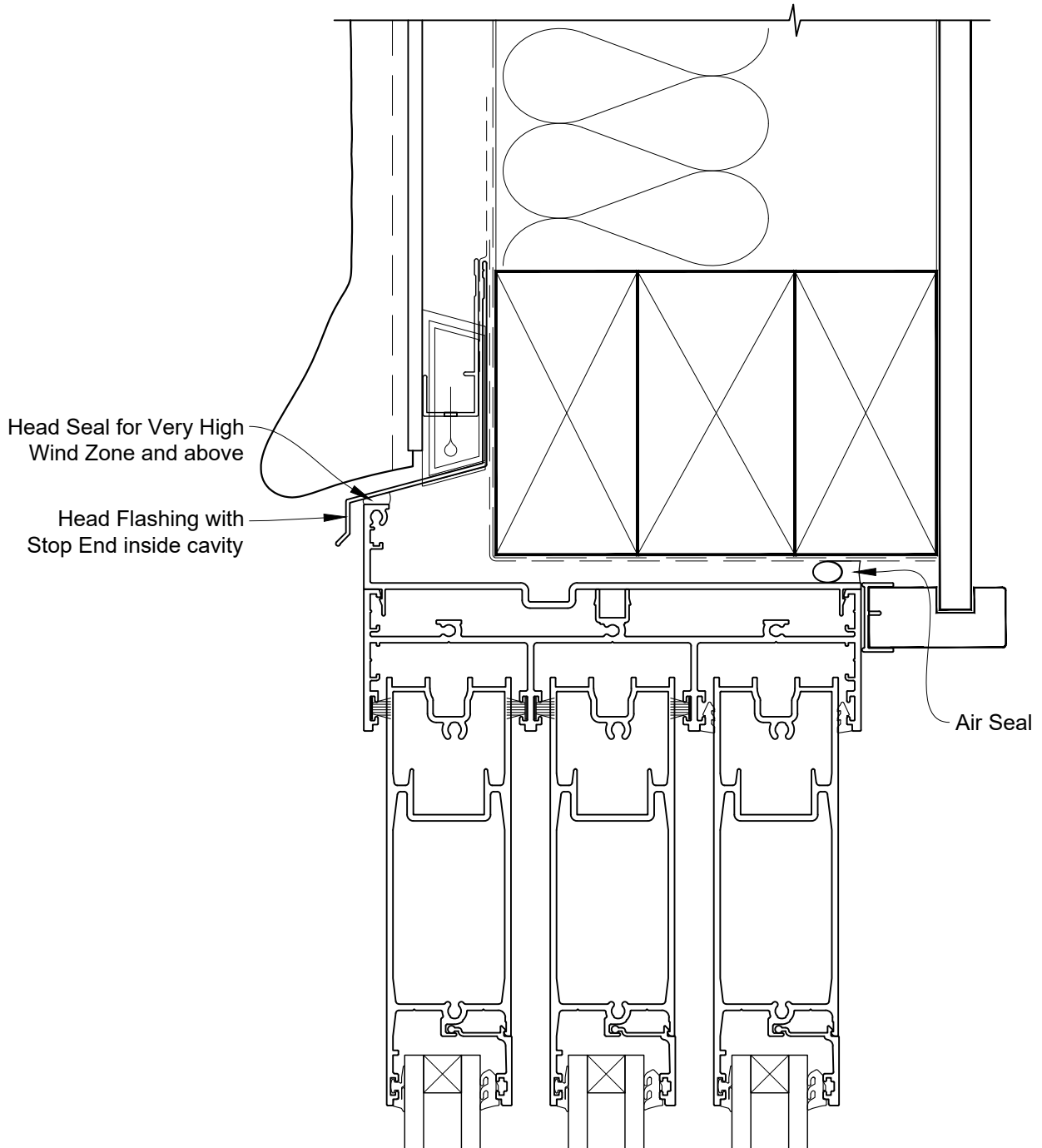


INSTALLATION DETAIL - ARCHITECTURAL SERIES SLIDING DOOR THREE TRACK ON STUCCO CAVITY CONSTRUCTION

Date: 27.09.19

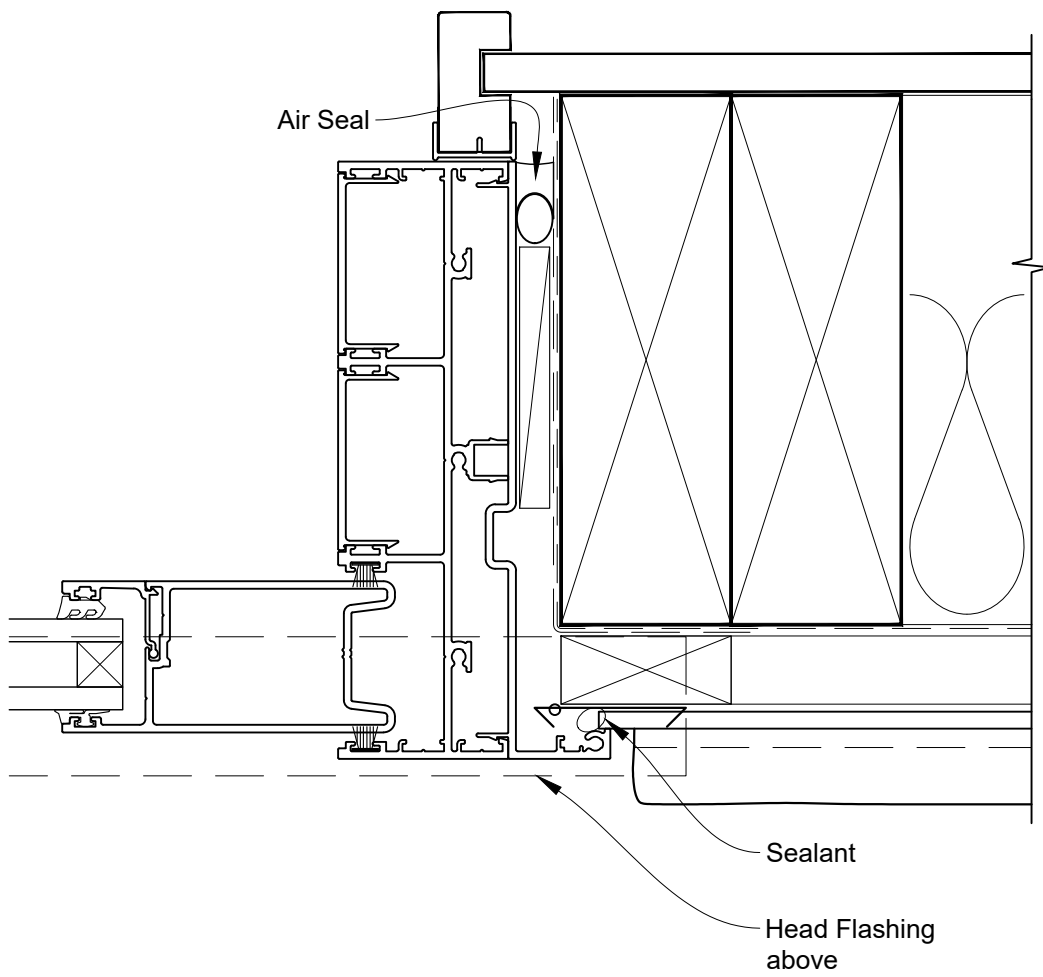
Scale: 1:2

CAD Ref.: ASS3ST-CH



INSTALLATION DETAIL - ARCHITECTURAL SERIES SLIDING DOOR THREE TRACK ON STUCCO CAVITY CONSTRUCTION

Date: 27.09.19 Scale: 1:2 CAD Ref.: ASS3ST-CJ



INSTALLATION DETAIL - ARCHITECTURAL SERIES SLIDING DOOR THREE TRACK ON STUCCO CAVITY CONSTRUCTION

Date: 27.09.19

Scale: 1:2

CAD Ref.: ASS3ST-CS

