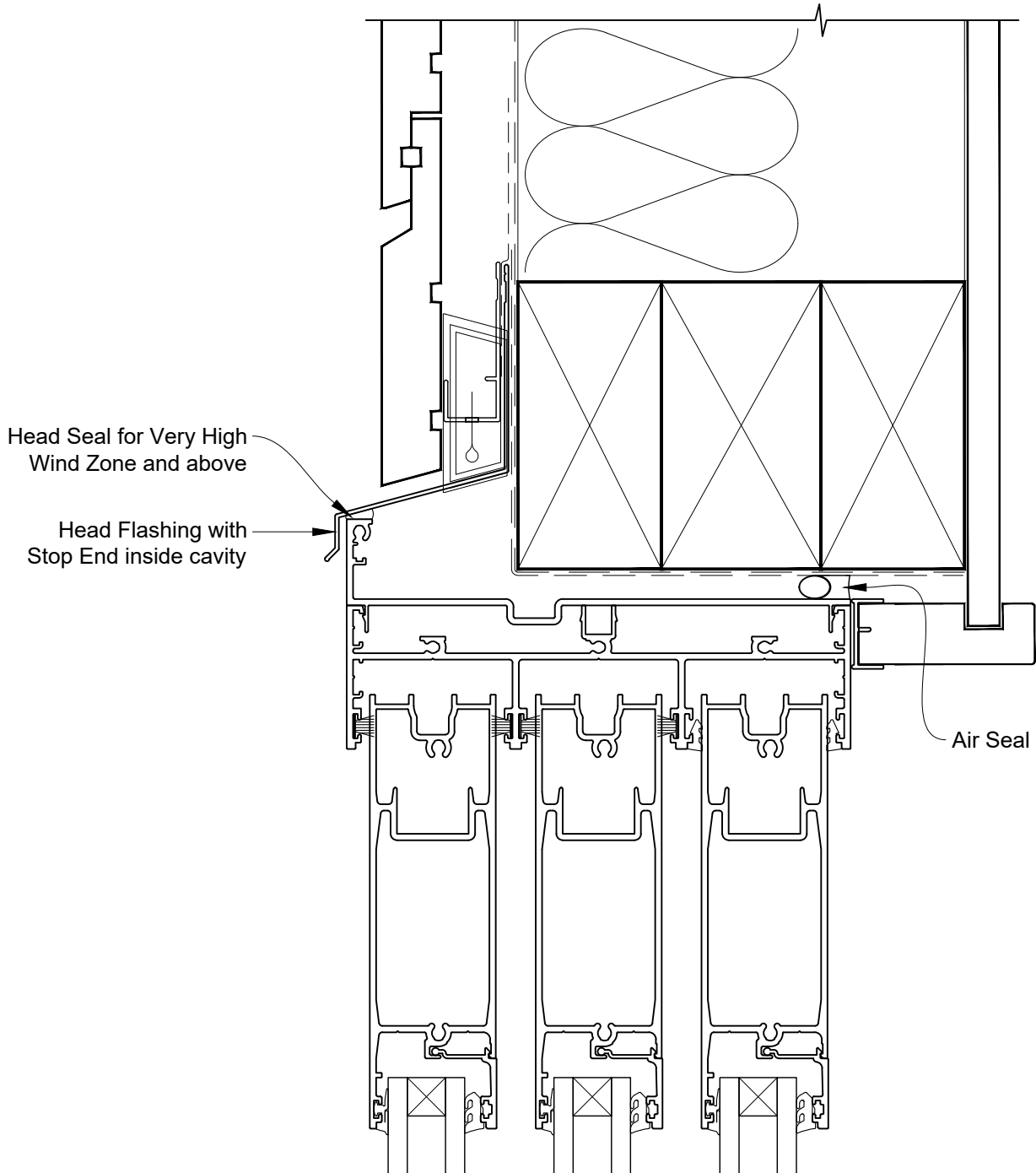


INSTALLATION DETAIL - ARCHITECTURAL SERIES SLIDING DOOR THREE TRACK ON RUSTICATED WEATHERBOARD - CAVITY CONSTRUCTION

Date: 27.09.19

Scale: 1:2

CAD Ref.: ASS3RW-CH

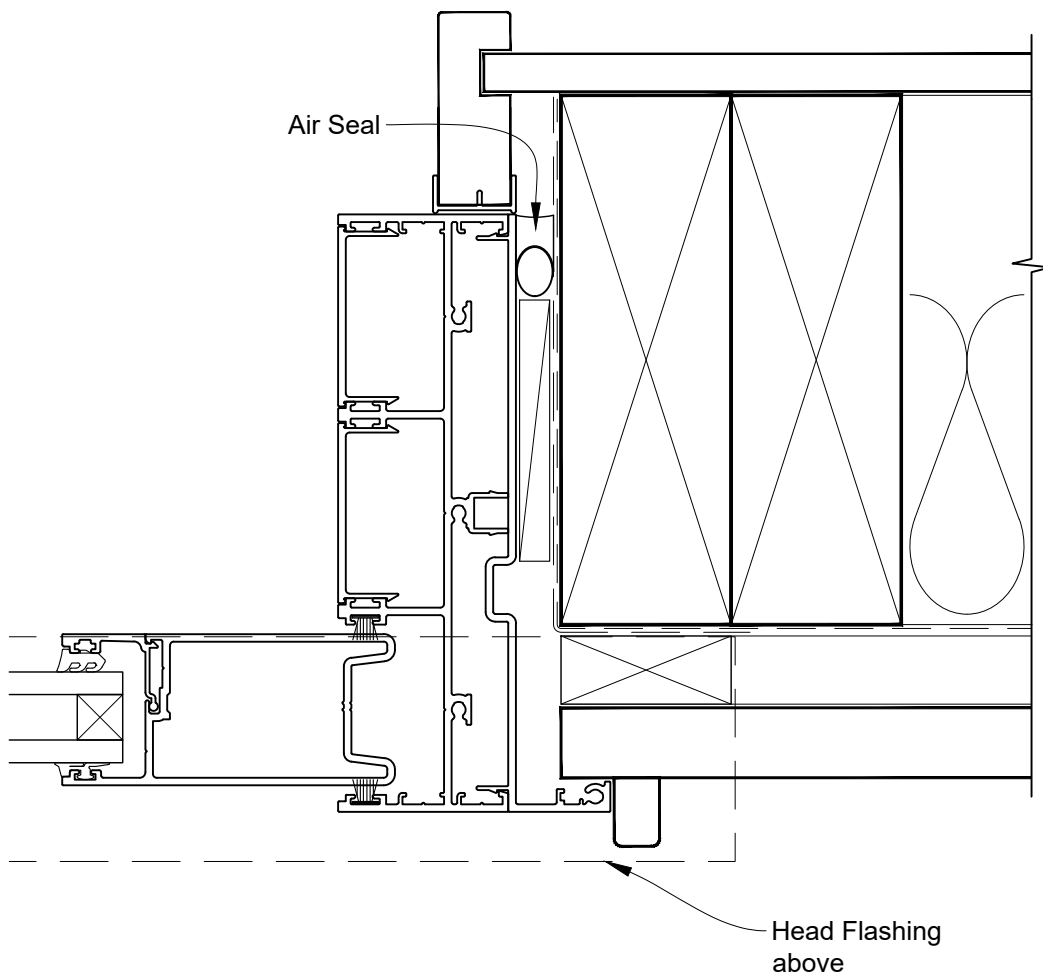


INSTALLATION DETAIL - ARCHITECTURAL SERIES SLIDING DOOR THREE TRACK ON RUSTICATED WEATHERBOARD - CAVITY CONSTRUCTION

Date: 27.09.19

Scale: 1:2

CAD Ref.: ASS3RW-CJ

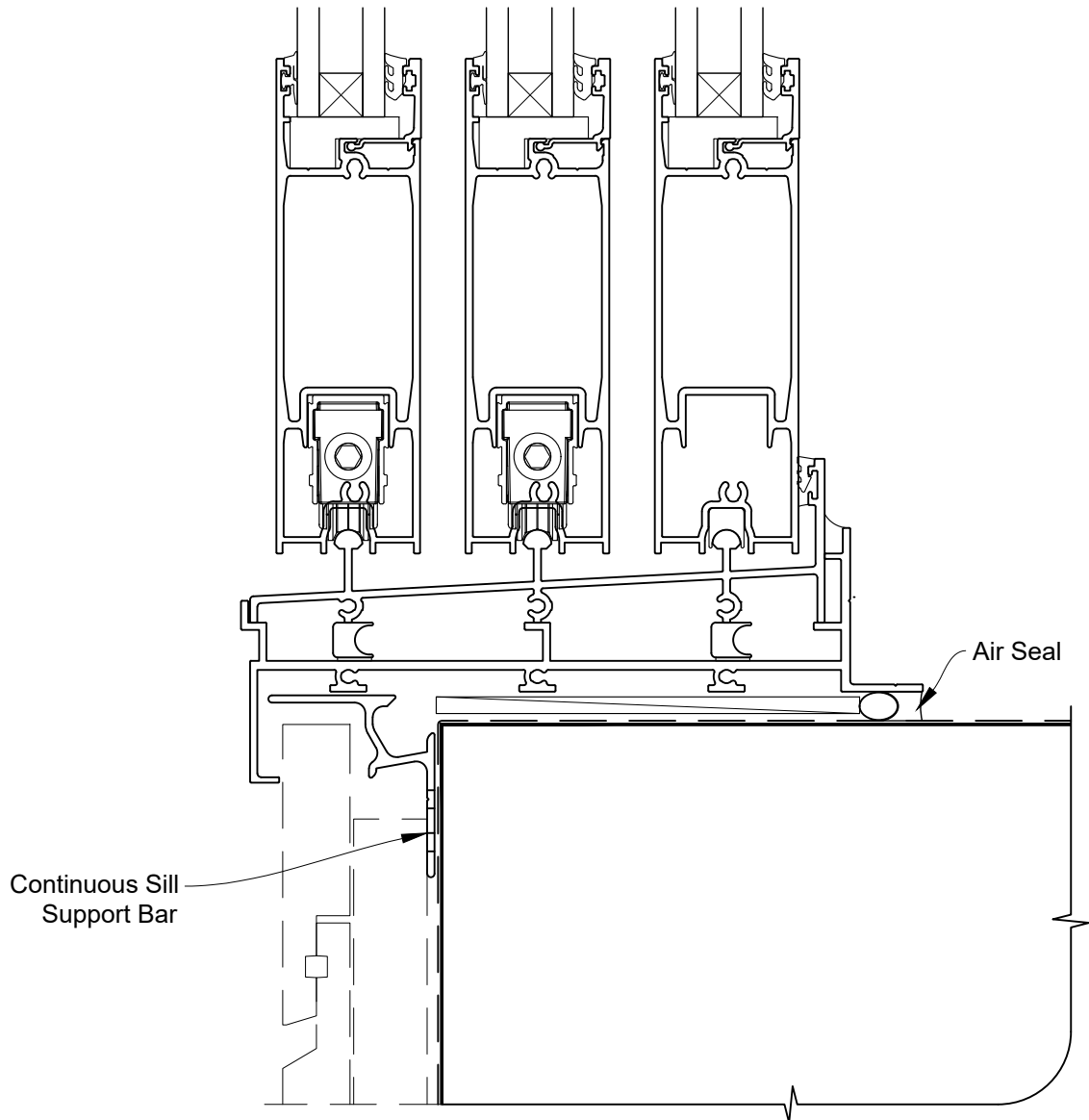


INSTALLATION DETAIL - ARCHITECTURAL SERIES SLIDING DOOR THREE TRACK ON RUSTICATED WEATHERBOARD - CAVITY CONSTRUCTION

Date: 27.09.19

Scale: 1:2

CAD Ref.: ASS3RW-CS

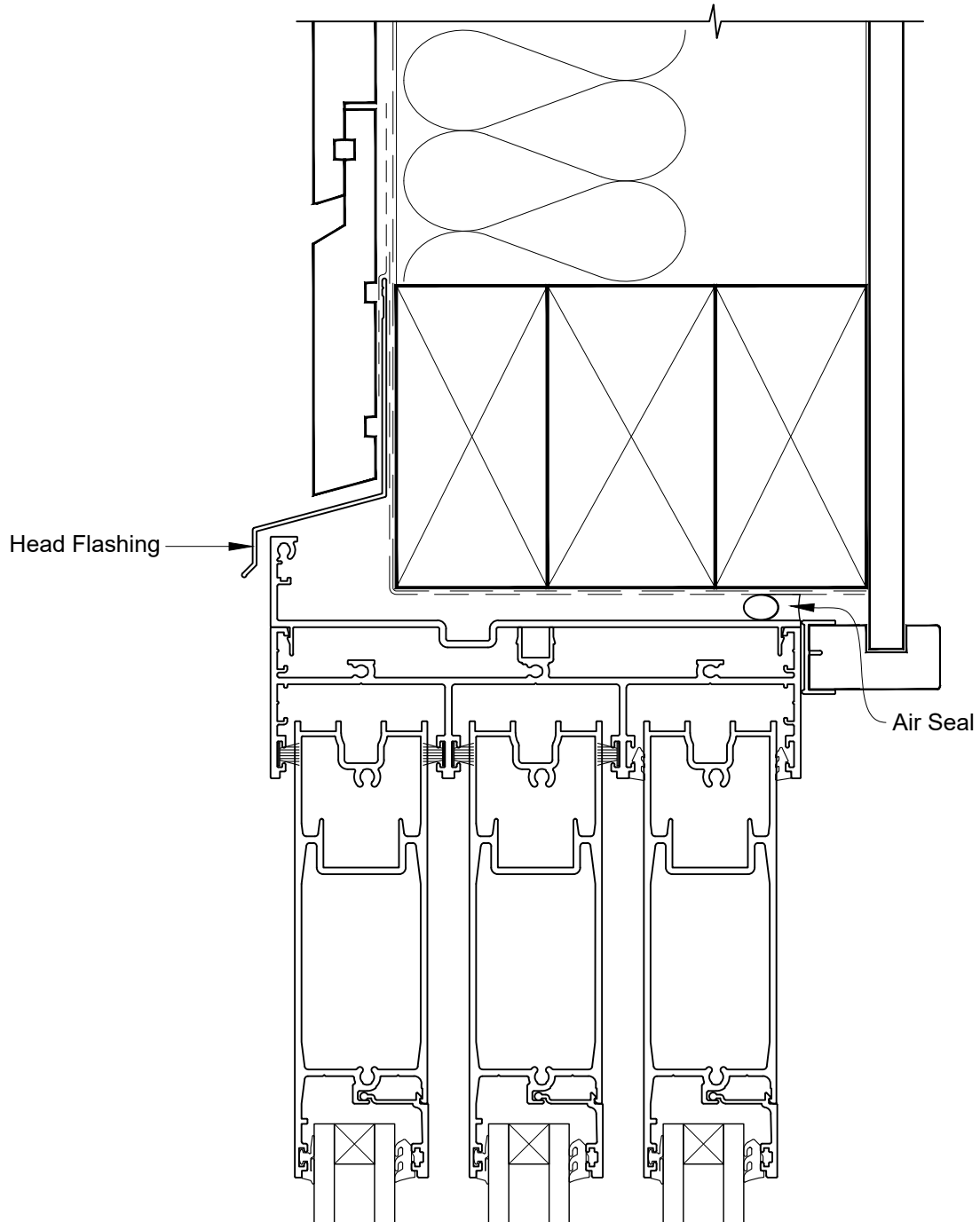


INSTALLATION DETAIL - ARCHITECTURAL 106mm SERIES SLIDING DOOR THREE TRACK ON RUSTICATED WEATHERBOARD - DIRECT FIXED CLADDING

Date: 27.09.19

Scale: 1:2

CAD Ref.: ASS3RW-DH

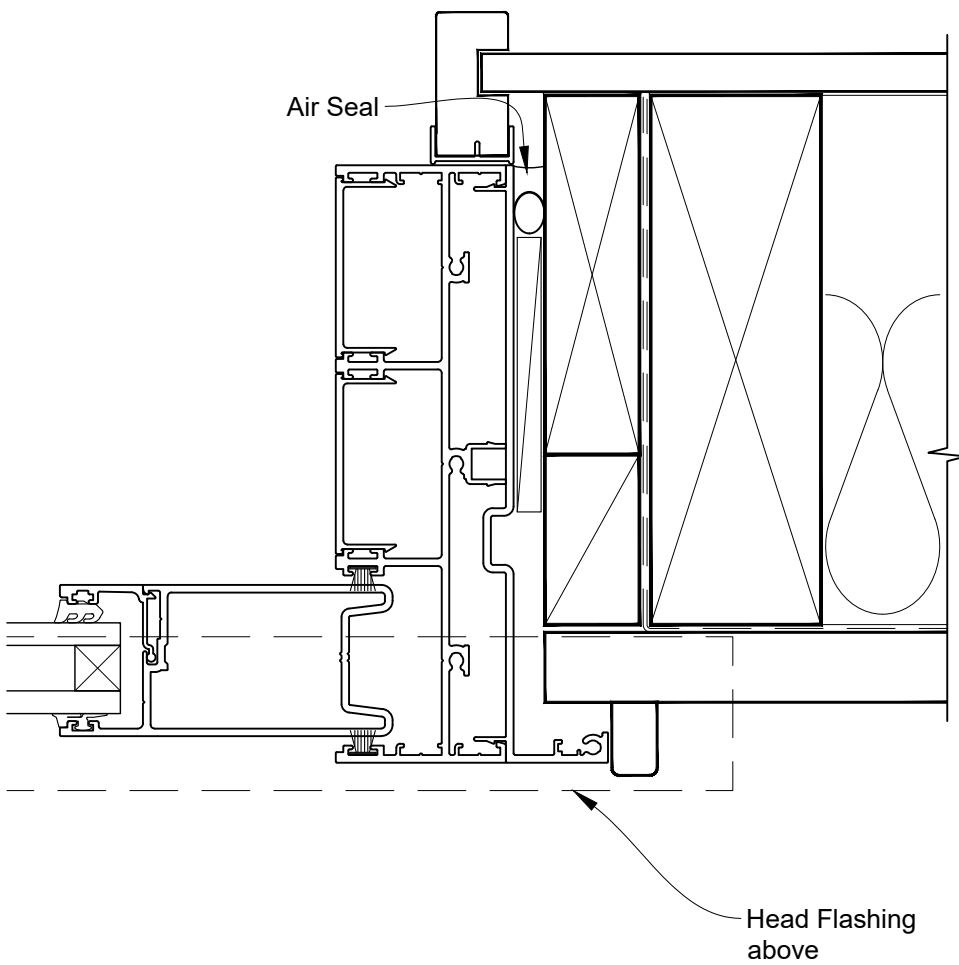


INSTALLATION DETAIL - ARCHITECTURAL 106mm SERIES SLIDING DOOR THREE TRACK ON RUSTICATED WEATHERBOARD - DIRECT FIXED CLADDING

Date: 27.09.19

Scale: 1:2

CAD Ref.: ASS3RW-DJ



INSTALLATION DETAIL - ARCHITECTURAL 106mm SERIES SLIDING DOOR THREE TRACK ON RUSTICATED WEATHERBOARD - DIRECT FIXED CLADDING

Date: 27.09.19

Scale: 1:2

CAD Ref.: ASS3RW-DS

