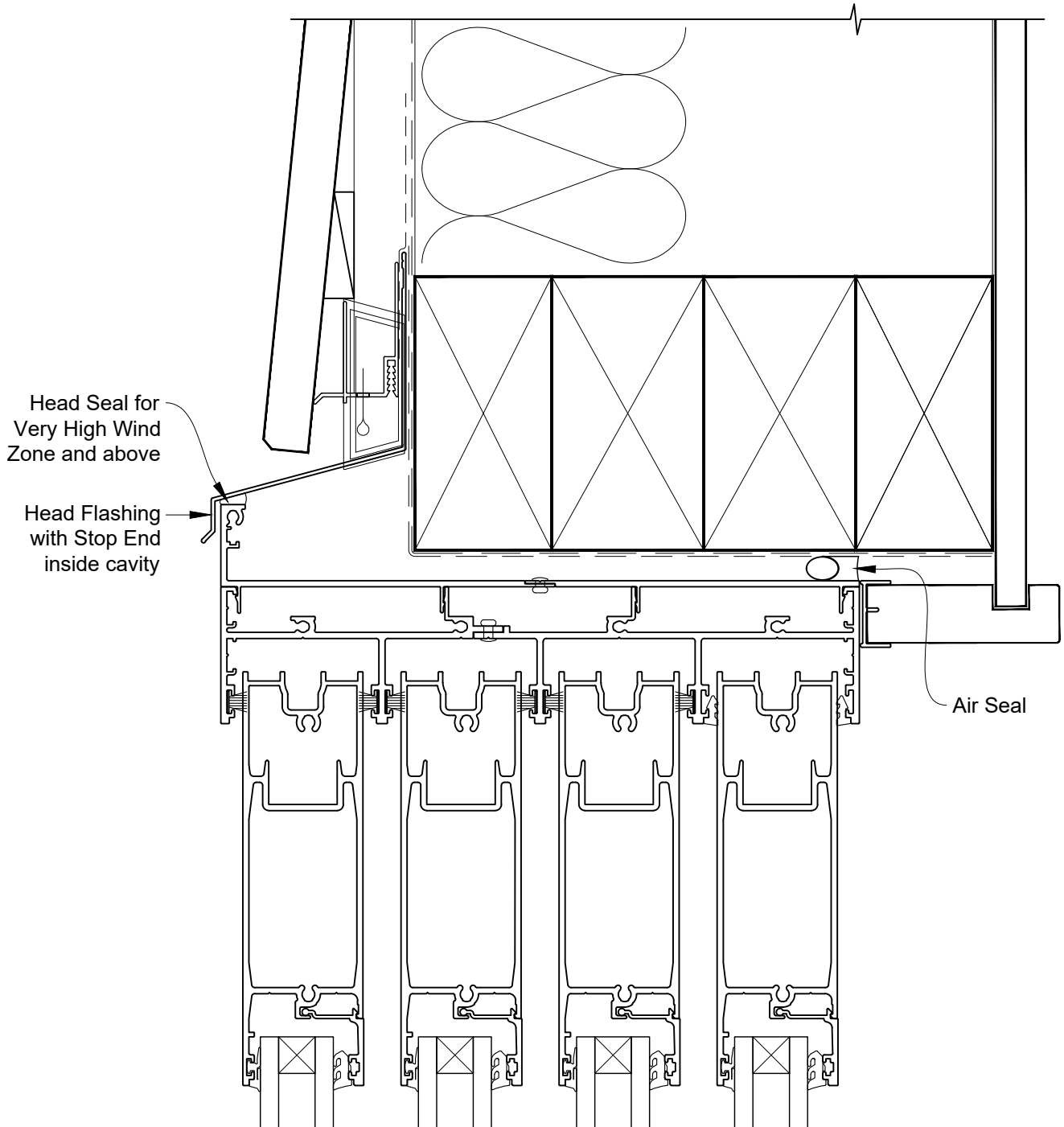


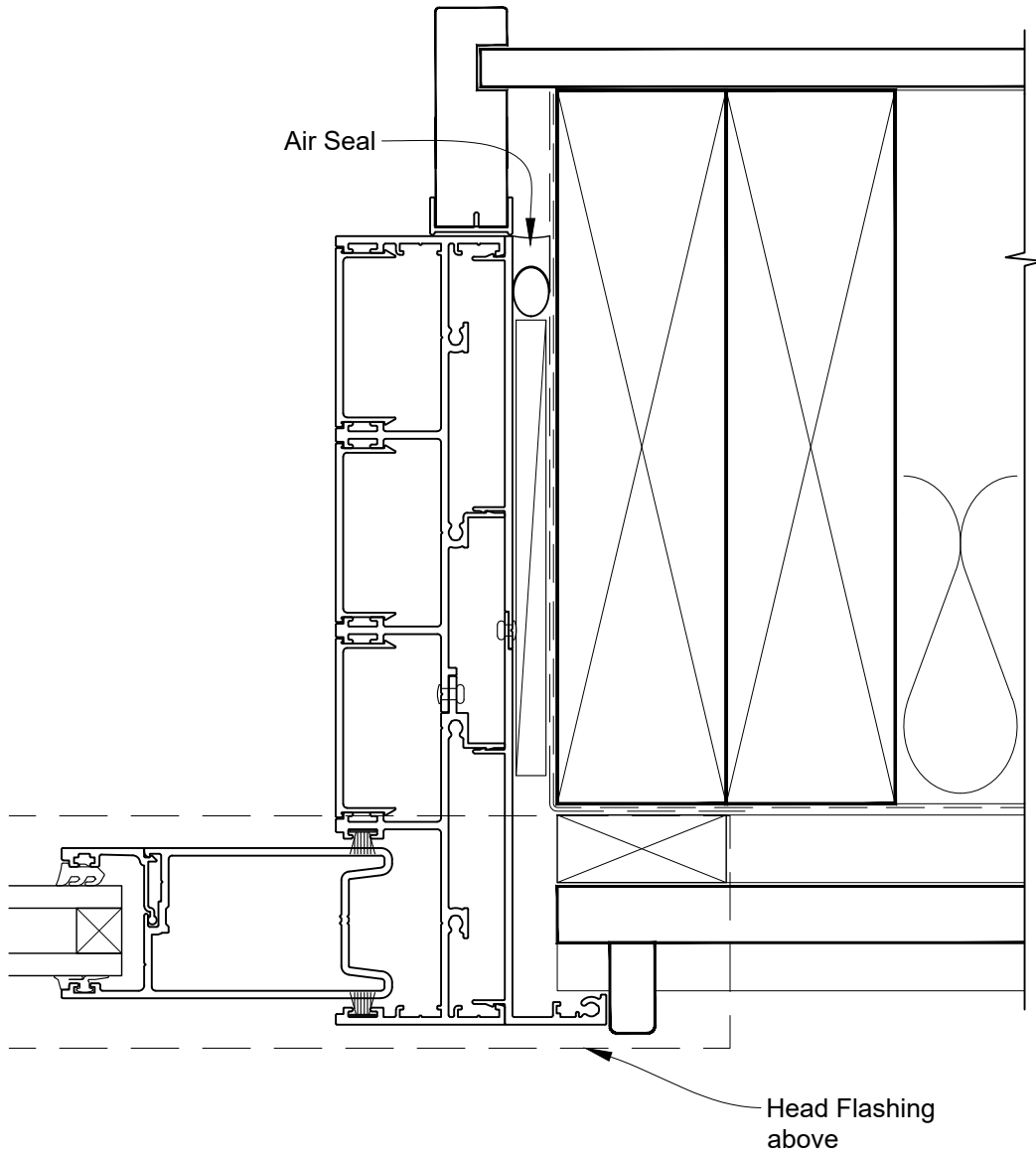
INSTALLATION DETAIL - ARCHITECTURAL SERIES SLIDING DOOR FOUR TRACK ON BEVELBACK WEATHERBOARD - CAVITY CONSTRUCTION

Date: 27.09.19 Scale: 1:2 CAD Ref.: ASS4BW-CH



INSTALLATION DETAIL - ARCHITECTURAL SERIES SLIDING DOOR FOUR TRACK ON BEVELBACK WEATHERBOARD - CAVITY CONSTRUCTION

Date: 27.09.19 Scale: 1:2 CAD Ref.: ASS4BW-CJ

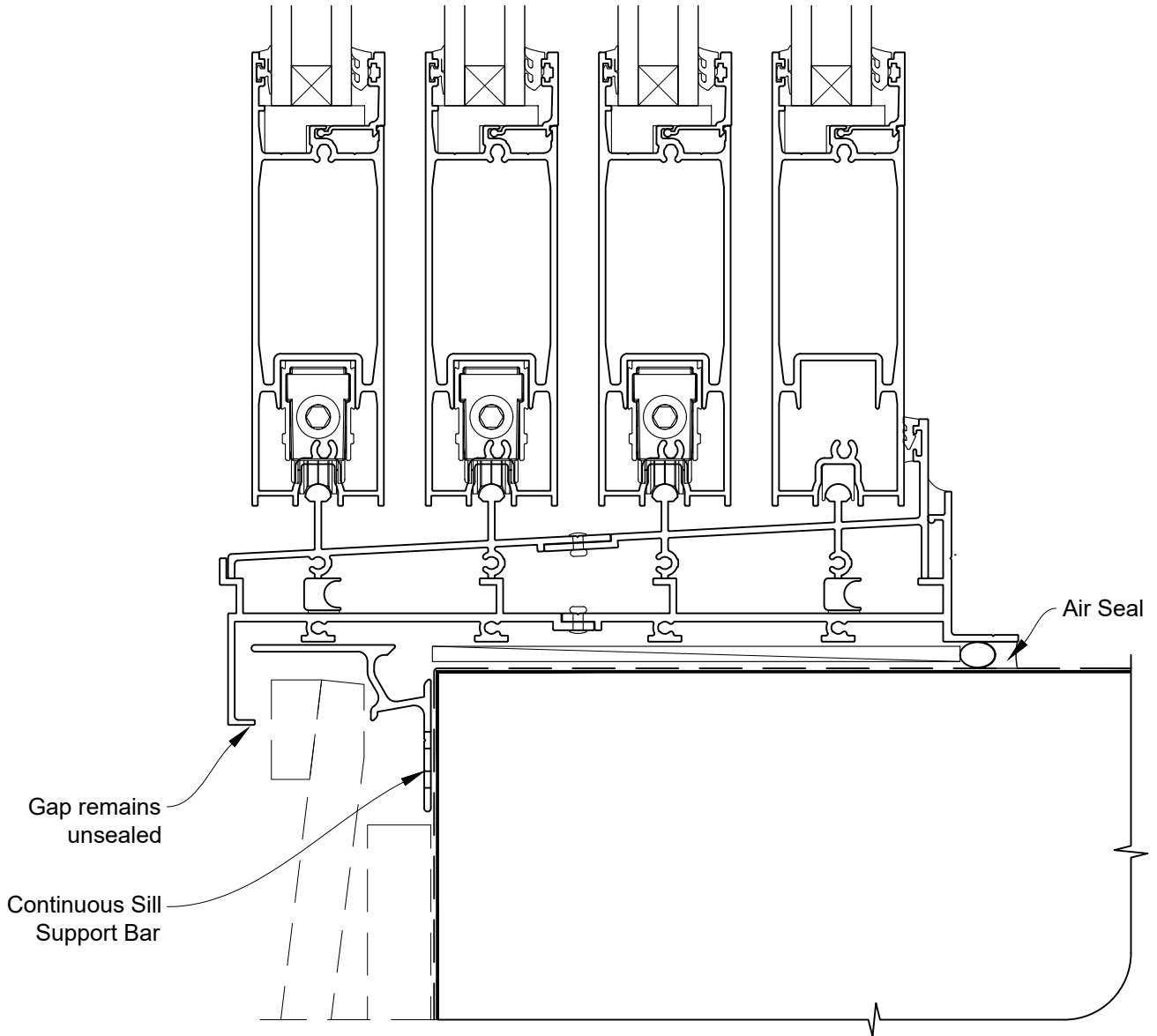


INSTALLATION DETAIL - ARCHITECTURAL SERIES SLIDING DOOR FOUR TRACK ON BEVELBACK WEATHERBOARD - CAVITY CONSTRUCTION

Date: 27.09.19

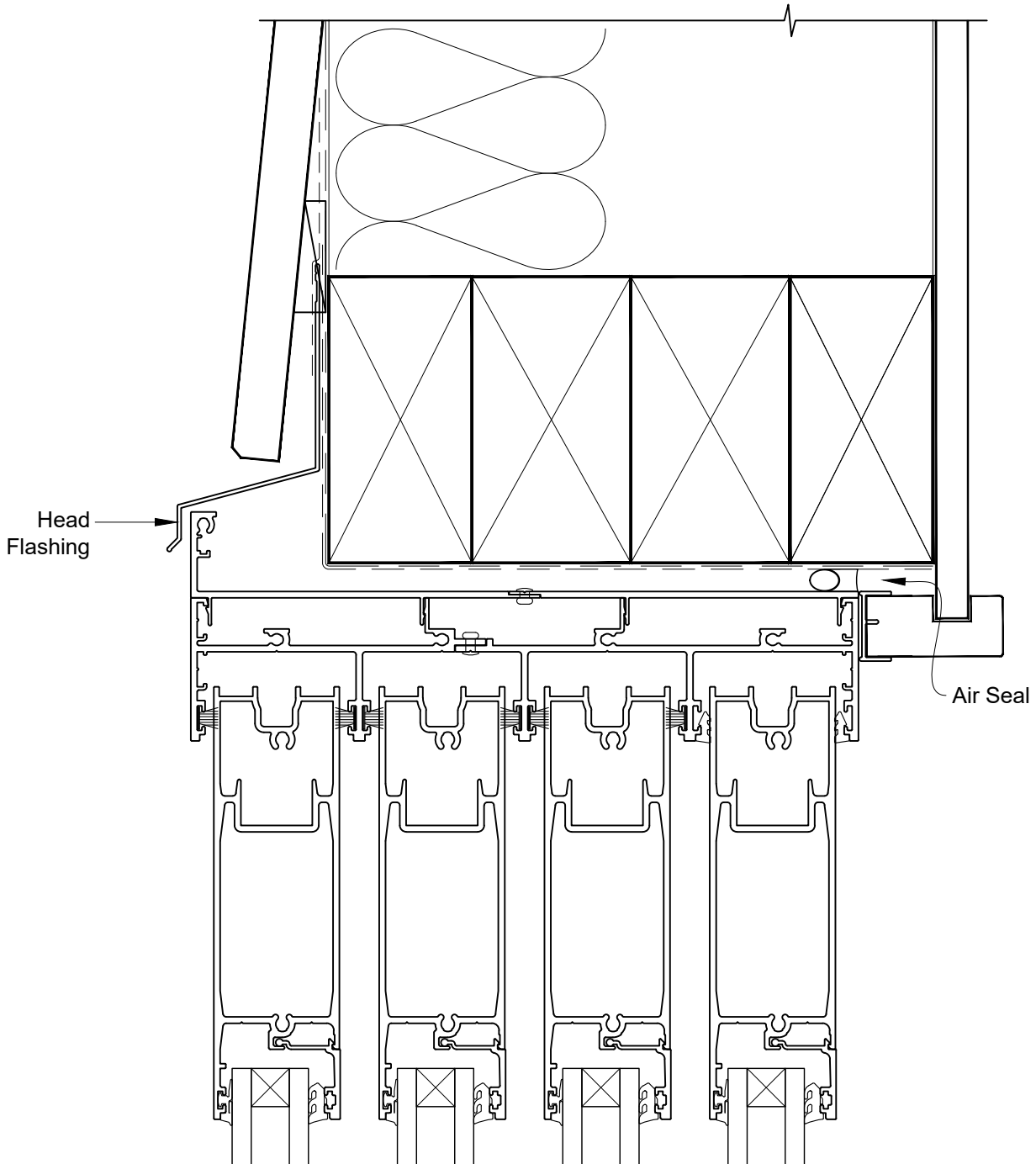
Scale: 1:2

CAD Ref.: ASS4BW-CS



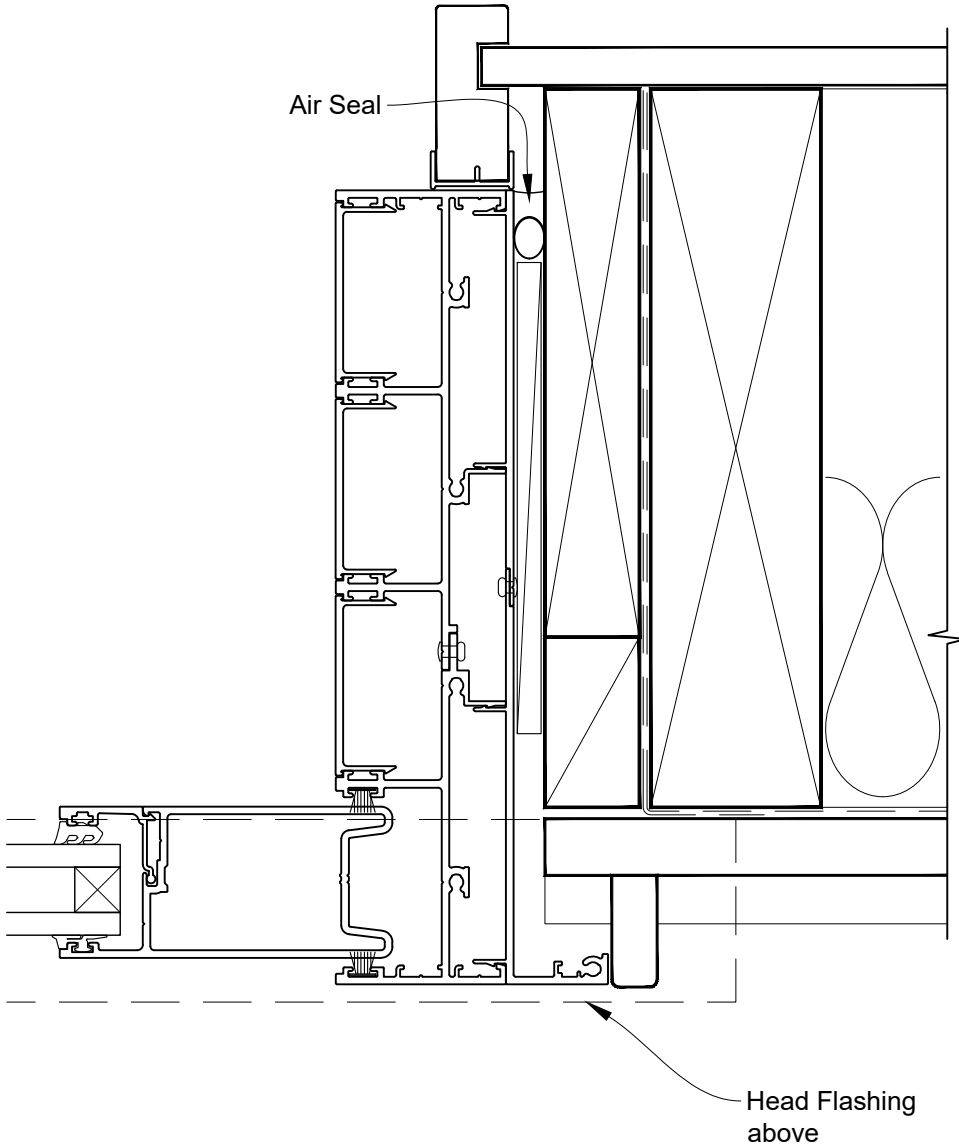
INSTALLATION DETAIL - ARCHITECTURAL SERIES SLIDING DOOR FOUR TRACK ON BEVELBACK WEATHERBOARD - DIRECT FIXED CLADDING

Date: 27.09.19 Scale: 1:2 CAD Ref.: ASS4BW-DH



**INSTALLATION DETAIL - ARCHITECTURAL SERIES
SLIDING DOOR FOUR TRACK ON BEVELBACK
WEATHERBOARD - DIRECT FIXED CLADDING**

Date: 27.09.19 Scale: 1:2 CAD Ref.: ASS4BW-DJ



INSTALLATION DETAIL - ARCHITECTURAL SERIES SLIDING DOOR FOUR TRACK ON BEVELBACK WEATHERBOARD - DIRECT FIXED CLADDING

Date: 27.09.19 Scale: 1:2 CAD Ref.: ASS4BW-DS

