

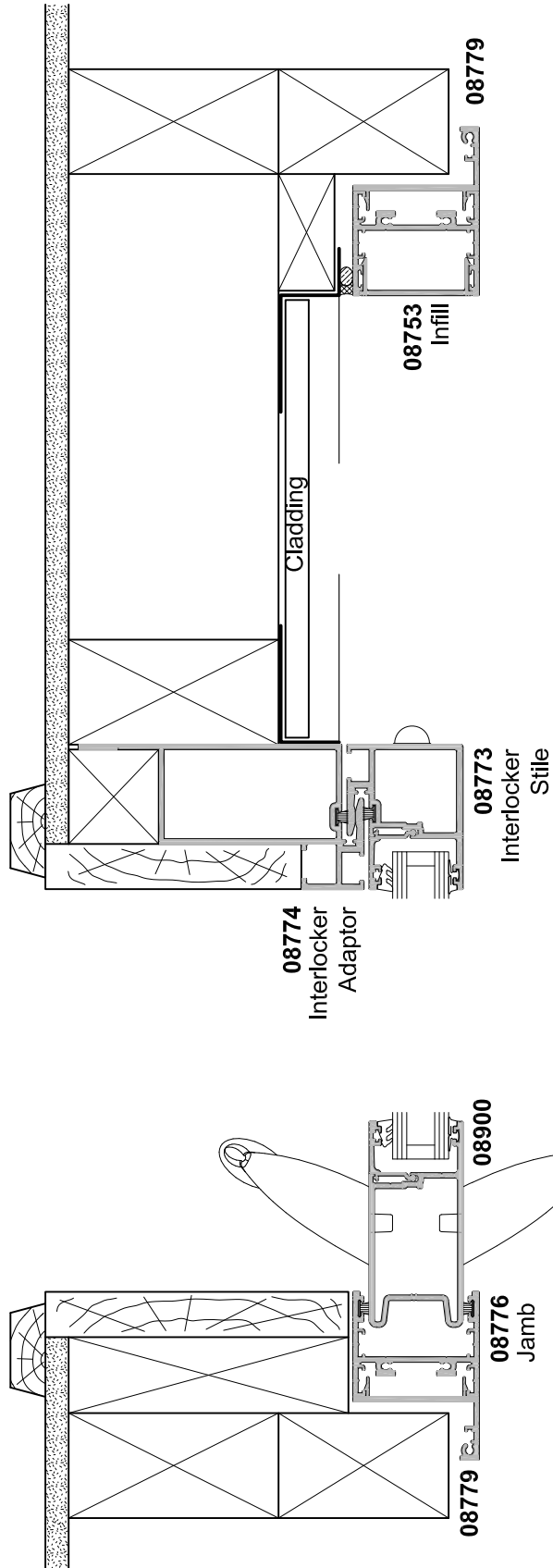
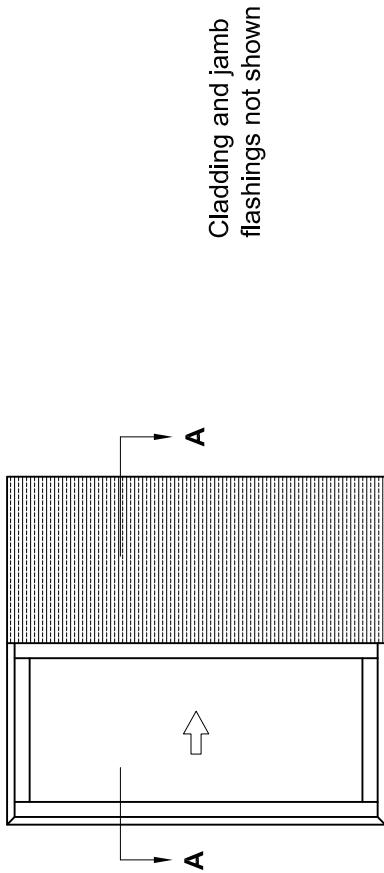


APL ARCHITECTURAL SERIES
SLIDING DOOR -
SINGLE PANEL OVER WALL
CROSS SECTION

CAD REF. VASD11-0

DATE
01.10.16

SCALE
1:3



SECTION A-A

NOTE: This detail is typical only and may differ for various claddings and building in situations.
 Contact APL Technical Advisory Service for more information