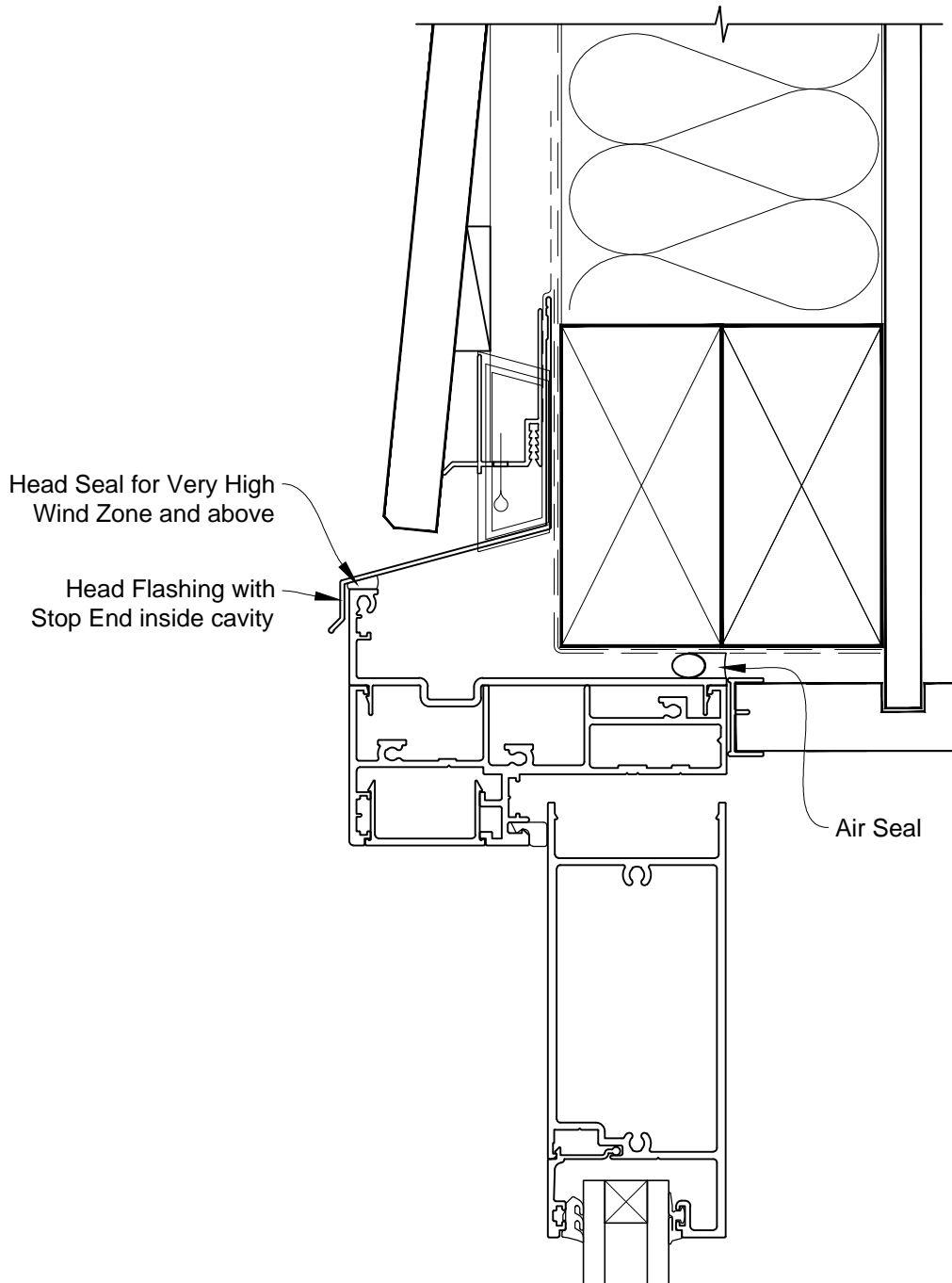


INSTALLATION DETAIL - ARCHITECTURAL 106mm SERIES HINGED DOOR OPEN IN ON BEVELBACK WEATHERBOARD CAVITY CONSTRUCTION

Date: 01.03.14

Scale: 1:2

CAD Ref.: ASHI106BW-CH

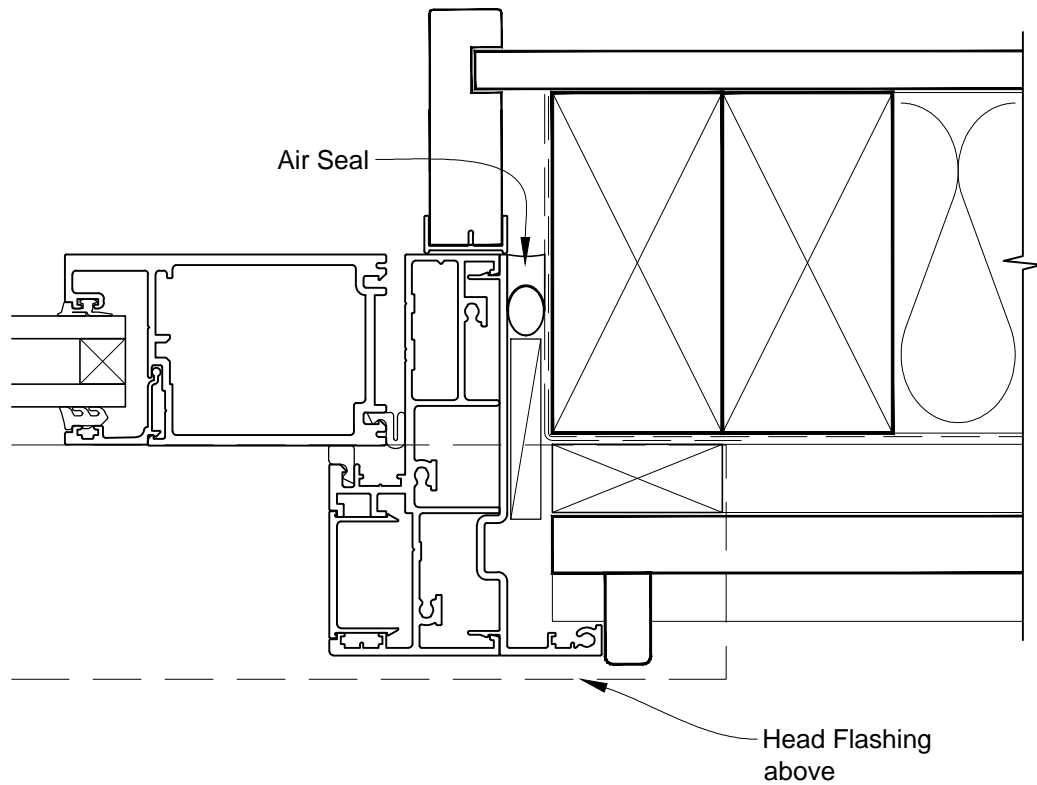


INSTALLATION DETAIL - ARCHITECTURAL 106mm SERIES HINGED DOOR OPEN IN ON BEVELBACK WEATHERBOARD CAVITY CONSTRUCTION

Date: 01.03.14

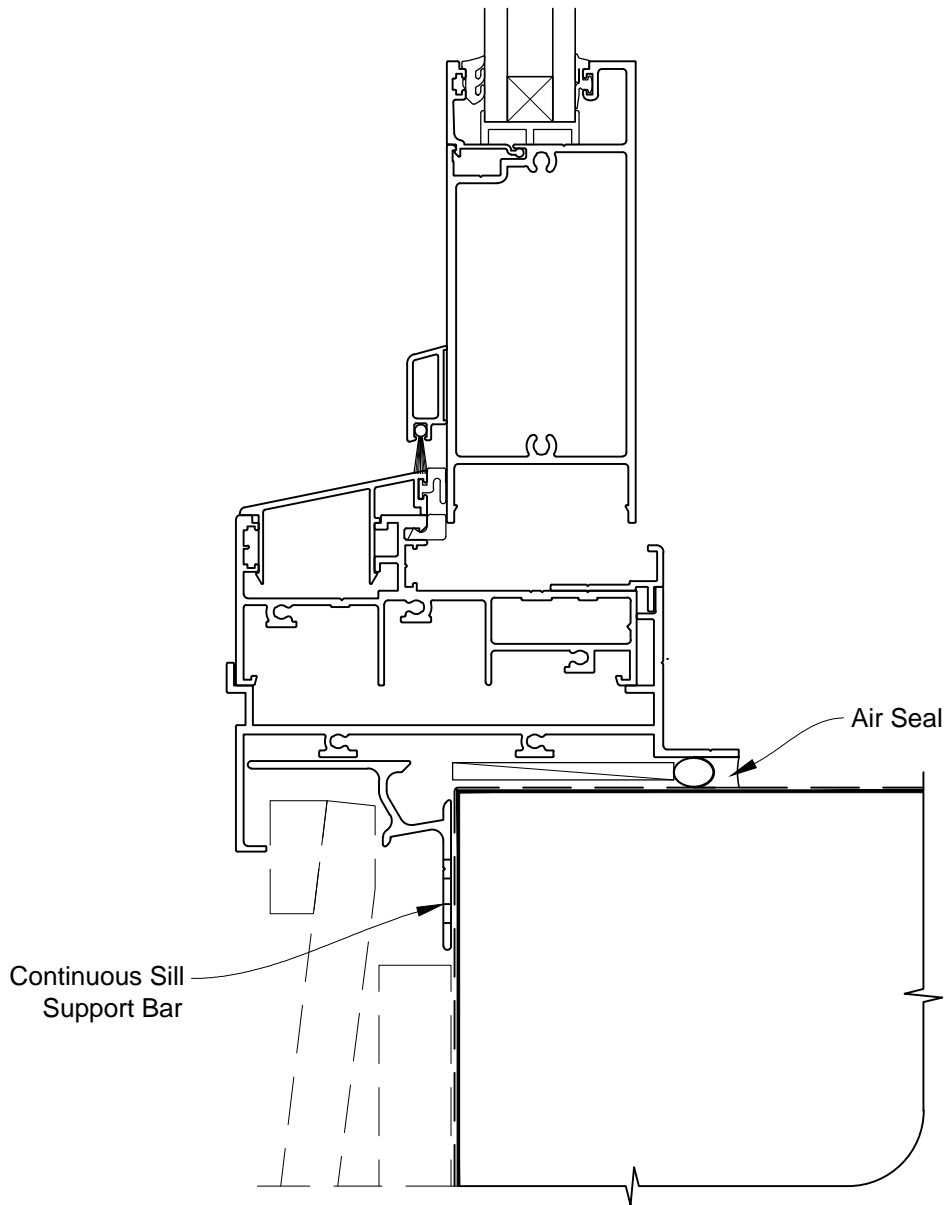
Scale: 1:2

CAD Ref.: ASH1106BW-CJ



INSTALLATION DETAIL - ARCHITECTURAL 106mm SERIES HINGED DOOR OPEN IN ON BEVELBACK WEATHERBOARD CAVITY CONSTRUCTION

Date: 01.03.14 Scale: 1:2 CAD Ref.: ASH1106BW-CS

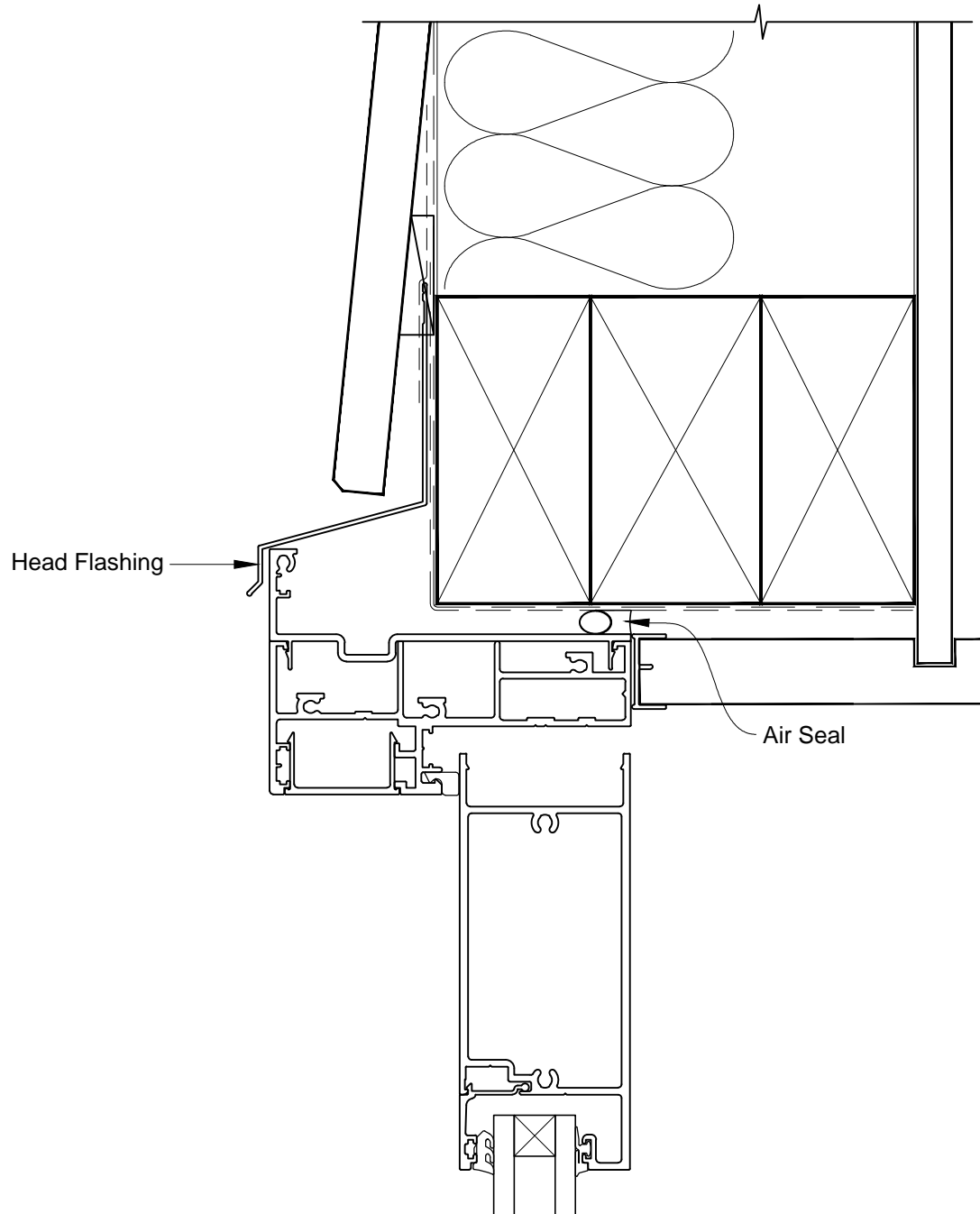


INSTALLATION DETAIL - ARCHITECTURAL 106mm SERIES HINGED DOOR OPEN IN ON BEVELBACK WEATHERBOARD DIRECT FIXED CLADDING

Date: 01.03.14

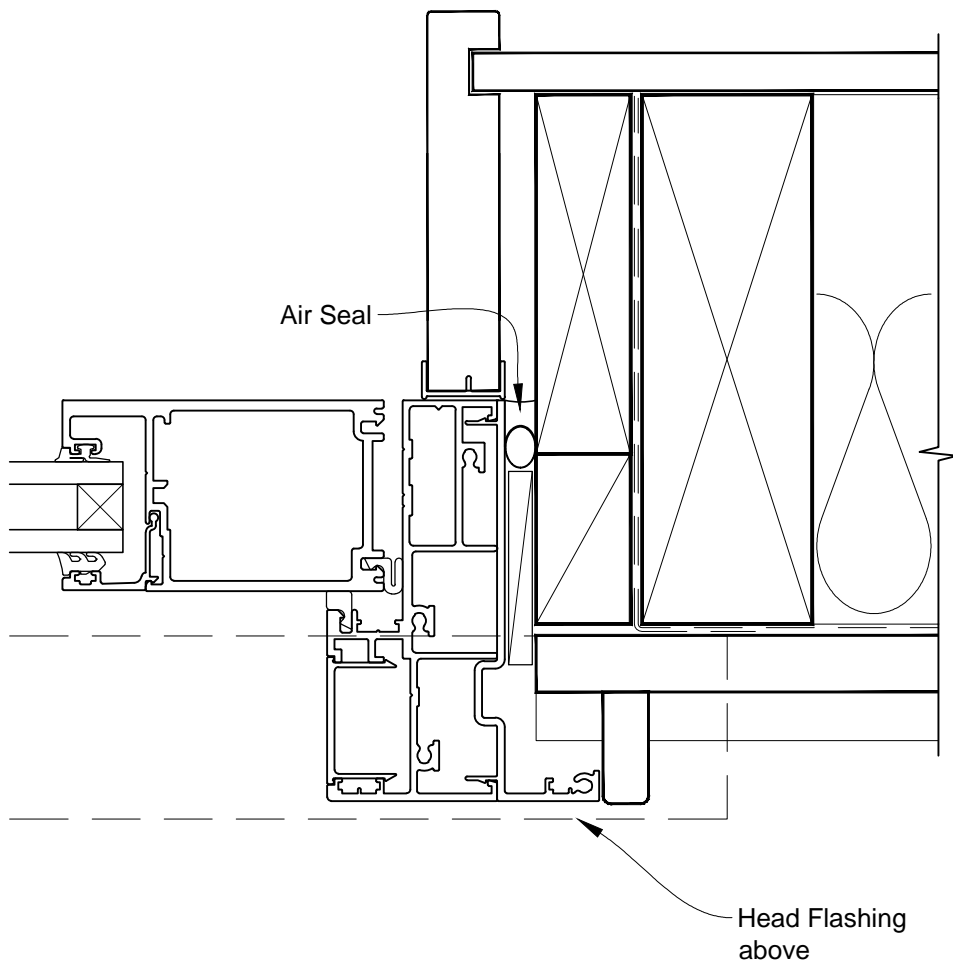
Scale: 1:2

CAD Ref.: ASH1106BW-DH



INSTALLATION DETAIL - ARCHITECTURAL 106mm SERIES HINGED DOOR OPEN IN ON BEVELBACK WEATHERBOARD DIRECT FIXED CLADDING

Date: 01.03.14 Scale: 1:2 CAD Ref.: ASH1106BW-DJ



INSTALLATION DETAIL - ARCHITECTURAL 106mm SERIES HINGED DOOR OPEN IN ON BEVELBACK WEATHERBOARD DIRECT FIXED CLADDING

Date: 01.03.14 Scale: 1:2 CAD Ref.: ASH1106BW-DS

