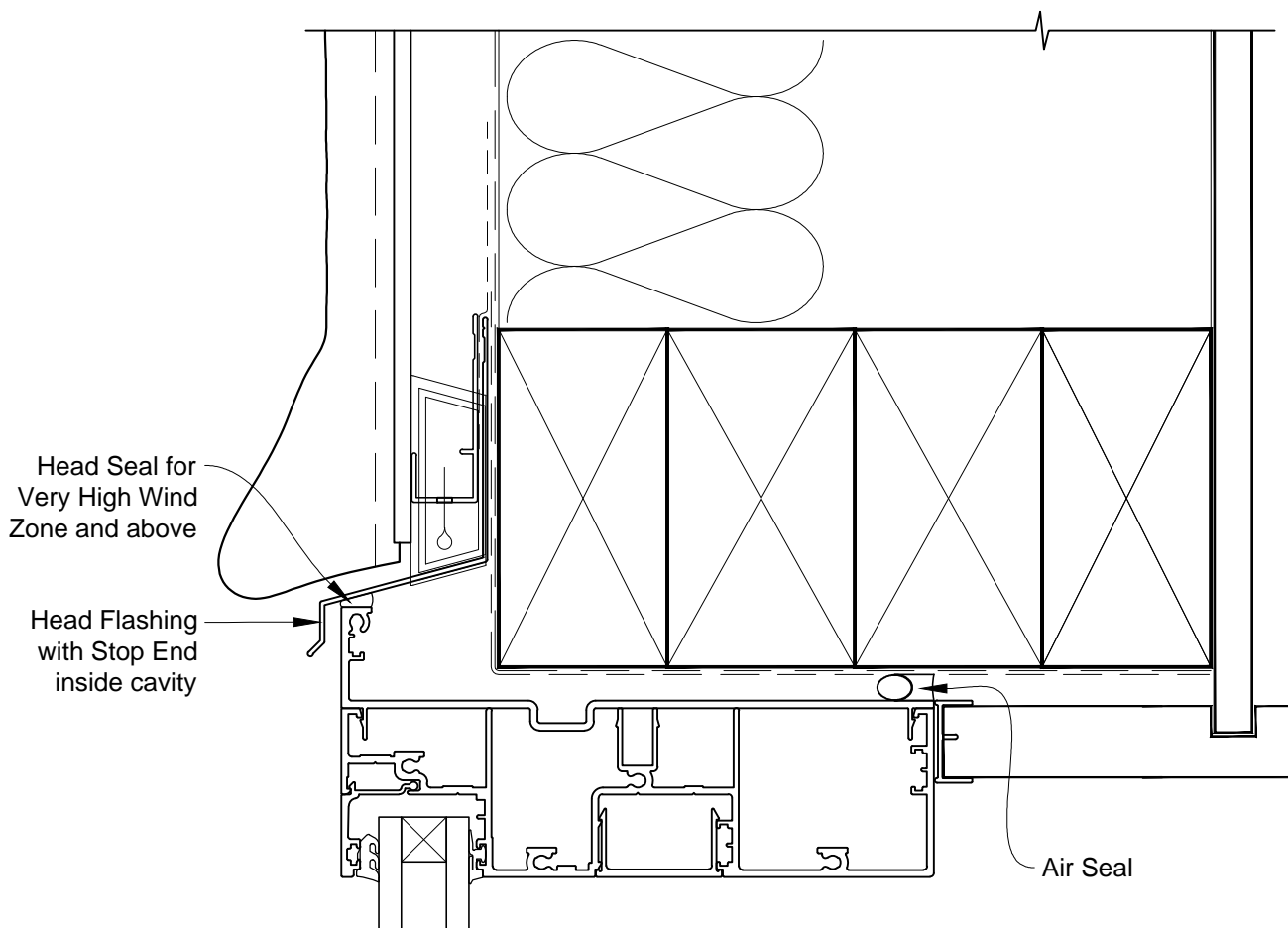


INSTALLATION DETAIL - ARCHITECTURAL 158mm SERIES AWNING WINDOW ON STUCCO CAVITY CONSTRUCTION

Date: 01.03.14 Scale: 1:2 CAD Ref.: ASAW158ST-CH

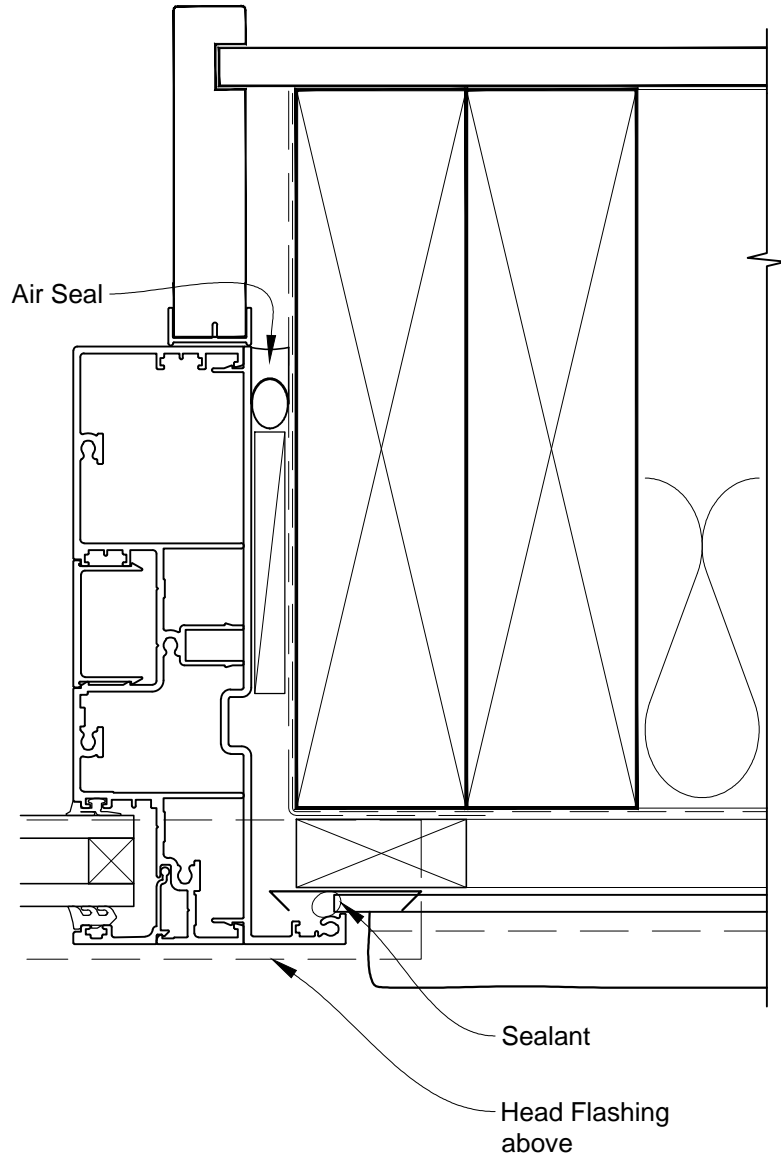


INSTALLATION DETAIL - ARCHITECTURAL 158mm SERIES AWNING WINDOW ON STUCCO CAVITY CONSTRUCTION

Date: 01.03.14

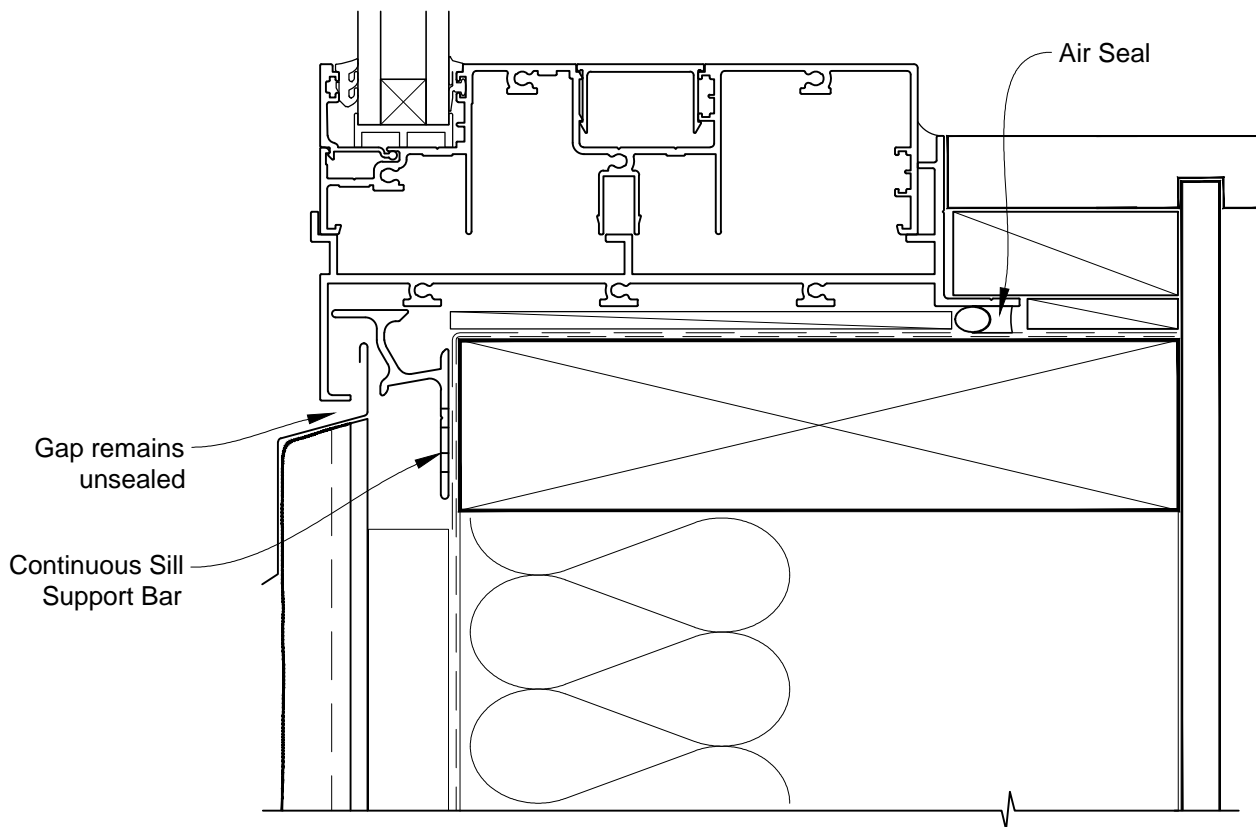
Scale: 1:2

CAD Ref.: ASAW158ST-CJ



INSTALLATION DETAIL - ARCHITECTURAL 158mm SERIES AWNING WINDOW ON STUCCO CAVITY CONSTRUCTION

Date: 01.03.14 Scale: 1:2 CAD Ref.: ASAW158ST-CS



INSTALLATION DETAIL - ARCHITECTURAL 158mm SERIES AWNING WINDOW ON STUCCO CAVITY CONSTRUCTION

Date: 01.03.14 Scale: 1:2 CAD Ref.: ASAW158ST-CS2

