

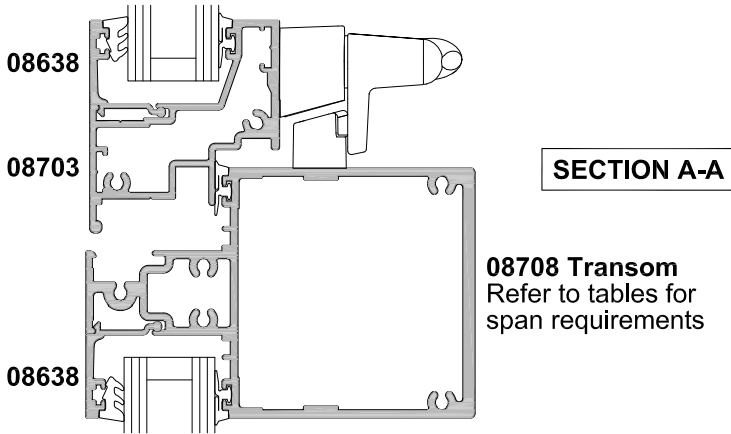
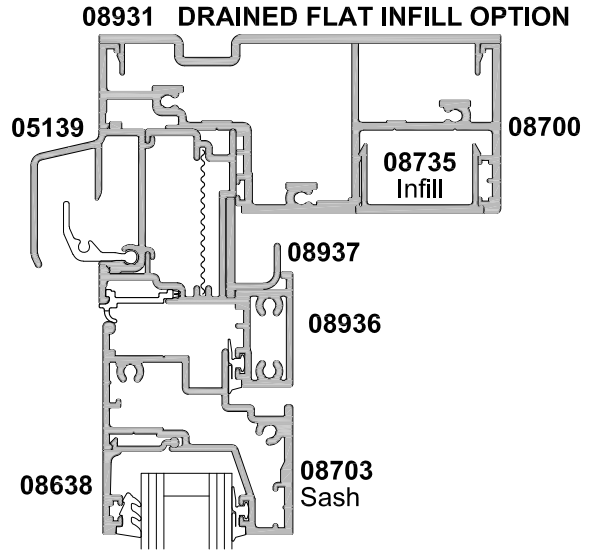
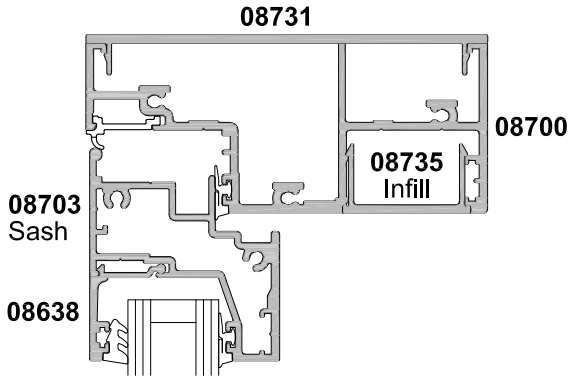


**APL ARCHITECTURAL SERIES AWNING WINDOW 106MM FRAME AND AEROVENT CROSS SECTION**

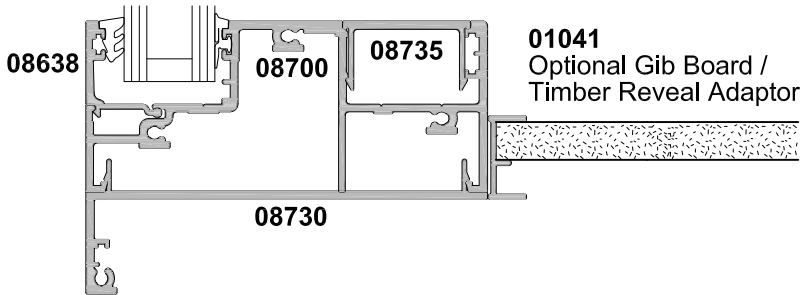
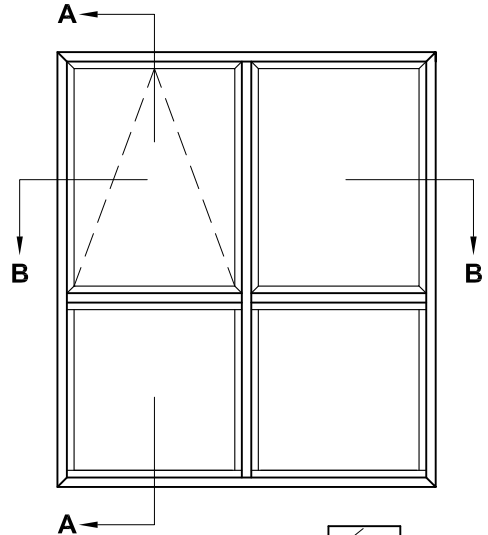
CAD REF. VAAW01-0

DATE  
01.06.18

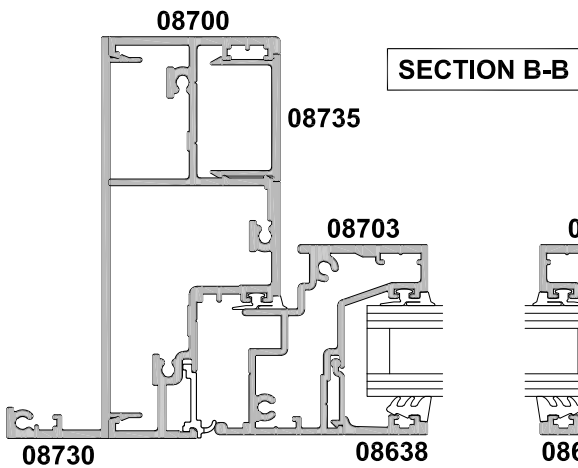
SCALE  
1:2



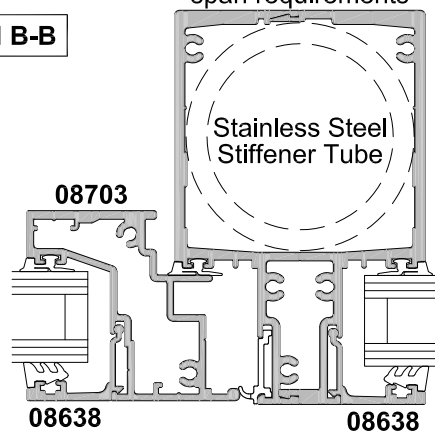
**08708 Transom**  
Refer to tables for span requirements



**01041**  
Optional Gib Board /  
Timber Reveal Adaptor



**SECTION B-B**



**08706 / 08705 Mullion**  
Refer to tables for span requirements

Stainless Steel  
Stiffener Tube

