

H3.1 treated timber Packer to form slope
 Metal capping flashing (Note: not supplied with Ulltraclad© system - contractor to supply as additional flashing)

5° slope minimum

Underlay to provide isolation of metal flashing from treated timber and aluminium

Minimum 5 mm clearance to allow for thermal expansion

flashing depth
 See table 7 E2/AS1

5 MIN

5 MIN

flashing depth
 See table 7 E2/AS1

Ulltraclad© UA 5833 Soffit Clip Top
 Alternatively use UA 5832

Metal capping to be fixed with 3M VHB tape alternatively fixed with CSK aluminium rivet. Colour match touch up paint

Metal capping flashing (Note: not supplied with Ulltraclad© system - contractor to supply as additional flashing)

Minimum 5 mm clearance to allow for thermal expansion

Screw through UA 5831 base at Max 600 mm horizontal centres with 8g x 2" CSK Sq. S/S self tapping screws through batten into top plate

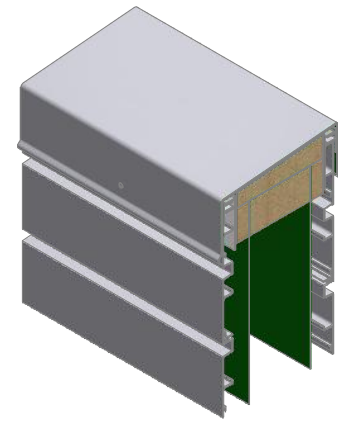
Cavity batten
 Refer V00 Batten Options

Note: Underlay strips to isolate aluminium from treated timber battens
 Refer V00

Building underlay continuous over framing

Ulltraclad© UA 7726 weatherboards (horizontal) fixed with Locator Clips fixed at Max 600 mm horizontal centres with 8g x 2" CSK Sq S/S self tapping screws through batten into stud

Note: Ensure to alternate spacings of fixings for battens and Locator Clips to avoid risk of splitting batten



ULLTRA CLAD[®]
 ALUMINIUM WEATHERBOARDS

ULLTRA CLAD ALUMINIUM CO LTD
 PO Box 98 843 Manukau City Auckland 2241
 118 Wiri Station Road Wiri 2104 New Zealand
 TL 09 262 6262 Ext. 814 Mob 021 541 563
 www.ulltraclad.co.nz
 © ULLRICH ALUMINIUM - All Rights Reserved

H22
 Rev : 10

Parapet on Cavity
 UA 7726 SHADO 100 BOARD

HORIZONTAL CAVITY SYSTEM
 Scale: 1 : 2 @ A4 - 2019

Brnz Appraisal #487 2019. (Horizontal)