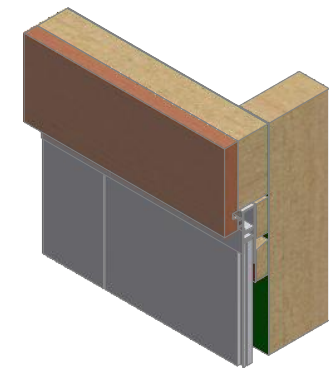
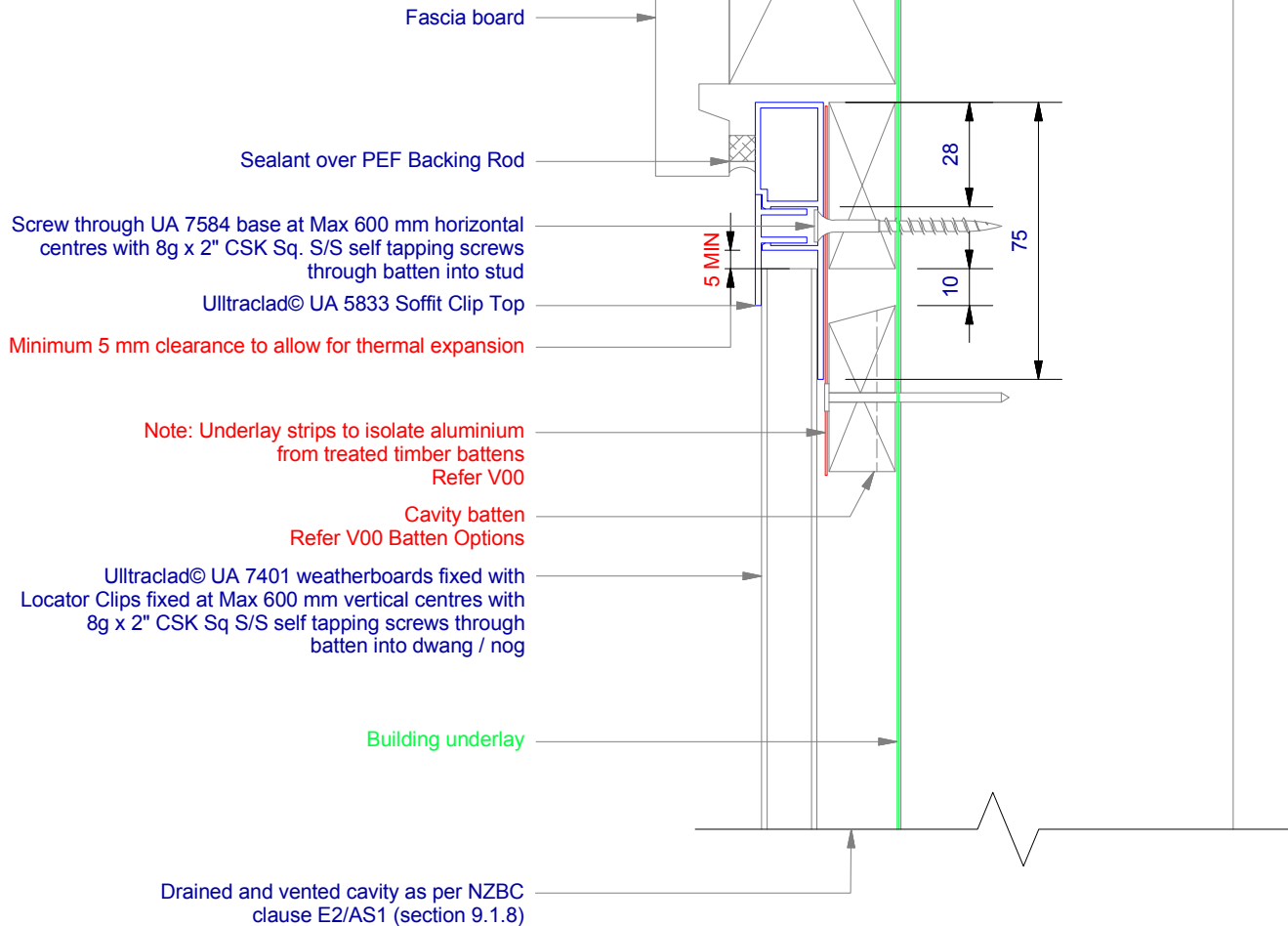


Note: Ensure to alternate spacings of fixings for battens and Locator Clips to avoid risk of splitting batten



ULLTRA CLAD[®]
ALUMINIUM WEATHERBOARDS

ULLRICH ALUMINIUM CO LTD
PO Box 98 843 Manukau City Auckland 2241
118 Wiri Station Road Wiri 2104 New Zealand
TL 09 262 6262 Ext. 814 Mob 021 541 563

www.ulltraclad.co.nz
© ULLRICH ALUMINIUM - All Rights Reserved

V05

Rev : 10

No Soffit Detail on Cavity
UA 7401 INFINITY BOARD

VERTICAL CAVITY SYSTEM
Scale: 1 : 2 @ A4 - 2019

Brnz Appraisal #796 2019. (Vertical)