

Vertical track flashing 0.9 mm folded aluminium flashing (hemmed) 150 mm above Meter Box Head.
Alternatively use Dynex Dynaflash

Screw through UA 7584 base and fixed to framing with 8g x 2" CSK Sq. S/S self tapping screws

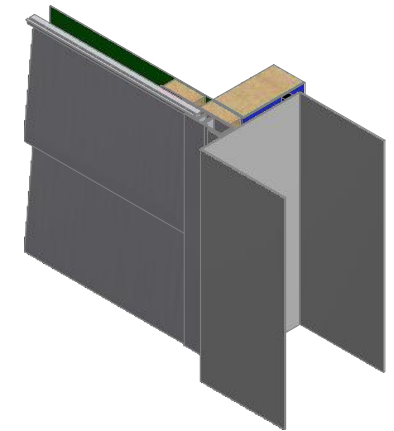
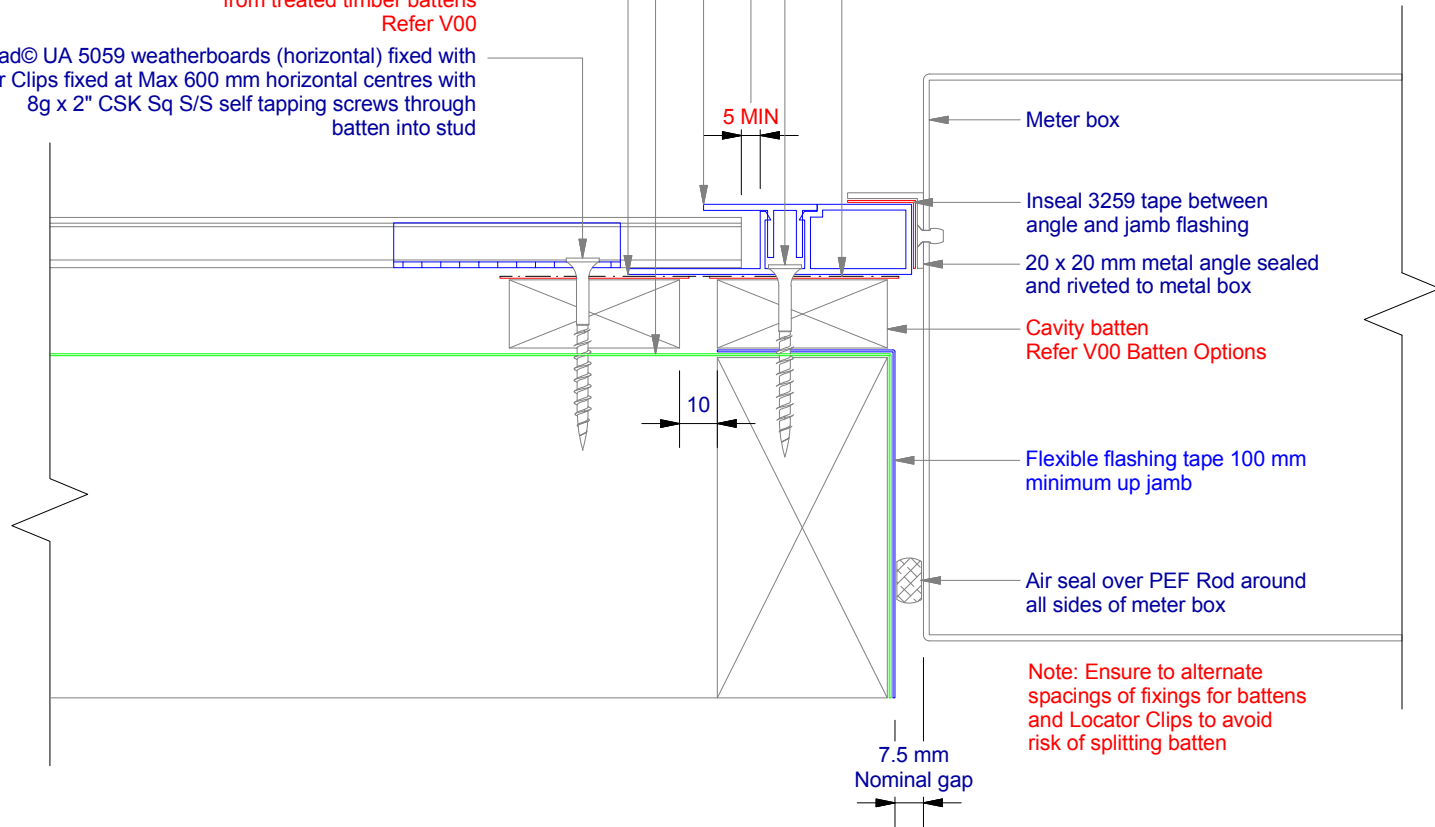
Minimum 5 mm clearance to allow for thermal expansion

Ultraclad® UA 5833 Soffit Clip Top

Building underlay continuous around opening

Note: Underlay strips to isolate aluminium from treated timber battens
Refer V00

Ultraclad® UA 5059 weatherboards (horizontal) fixed with Locator Clips fixed at Max 600 mm horizontal centres with 8g x 2" CSK Sq S/S self tapping screws through batten into stud



ULLTRACLAD®
ALUMINIUM WEATHERBOARDS

ULLTRACLAD ALUMINIUM CO LTD
PO Box 98 843 Manukau City Auckland 2241
118 Wiri Station Road Wiri 2104 New Zealand
TL 09 262 6262 Ext. 814 Mob 021 541 563

www.ulltracld.co.nz

© ULLRICH ALUMINIUM - All Rights Reserved

H17

Rev : 10

Meter Box Jamb on Cavity
UA 5059 TRADITIONAL BOARD

HORIZONTAL CAVITY SYSTEM

Scale: 1 : 2 @ A4 - 2019

Brnz Appraisal #487 2019. (Horizontal)