

Cavity batten  
Refer V00 Batten Options

Ultraclad® UA 7726 weatherboards (horizontal) fixed with Locator Clips fixed at Max 600 mm horizontal centres with 8g x 2" CSK Sq S/S self tapping screws through batten into stud

Note: Underlay strips to isolate aluminium from treated timber battens  
Refer V00

Ultraclad® Cavity Vent Strip  
Alternatively use PVC type

Fixed to lintel at 600 mm centres with 50 x 2.5 mm stainless steel clout

Vertical track flashing 0.9 mm folded aluminium flashing (hemmed) 150 mm above Meter Box head or inter-storey.  
Alternatively use Dynex Dynafash

Ultraclad® UA 4533 Head Starter 5 mm diameter drainage holes drilled through base of flashing at 300 mm centres

Aluminium flashing 15° slope  
(Note: not supplied with Ultraclad® system - contractor to supply as additional flashing, Stop end etc.)

20mm x 20mm angle sealed and riveted to meter box

Note: Ensure to alternate spacings of fixings for battens and Locator Clips to avoid risk of splitting batten

Building underlay continuous behind head flashing and into opening

50 mm  
Tape cover as per 4.3.11 of E2/AS1

Flashing tape

Nog as required

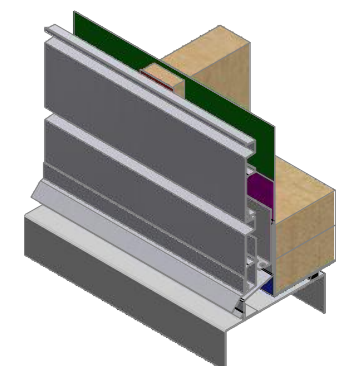
Flexible flashing tape at corners

Air seal over PEF Rod around all sides of meter box

7.5  
Nominal gap

Meter box

40 mm MIN  
65 mm recommended flashing upstand  
NOTE: Extra high wind zone head flashing must be 65 mm and hemmed



**ULLTRACLAD®**  
ALUMINIUM WEATHERBOARDS

ULLTRACLAD ALUMINIUM CO LTD  
PO Box 98 843 Manukau City Auckland 2241  
118 Wiri Station Road Wiri 2104 New Zealand  
TL 09 262 6262 Ext. 814 Mob 021 541 563

www.ulltracalad.co.nz

© ULLRICH ALUMINIUM - All Rights Reserved

**H16**

Rev : 10

**Meter Box Head on Cavity**  
**UA 7726 SHADO 100 BOARD**

**HORIZONTAL CAVITY SYSTEM**

Scale: 1 : 2 @ A4 - 2019

Brnz Appraisal #487 2019. (Horizontal)