

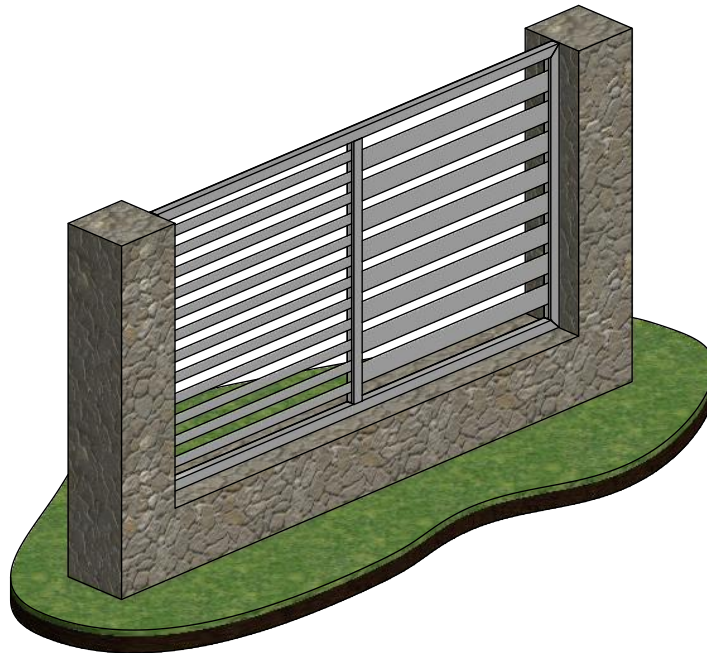
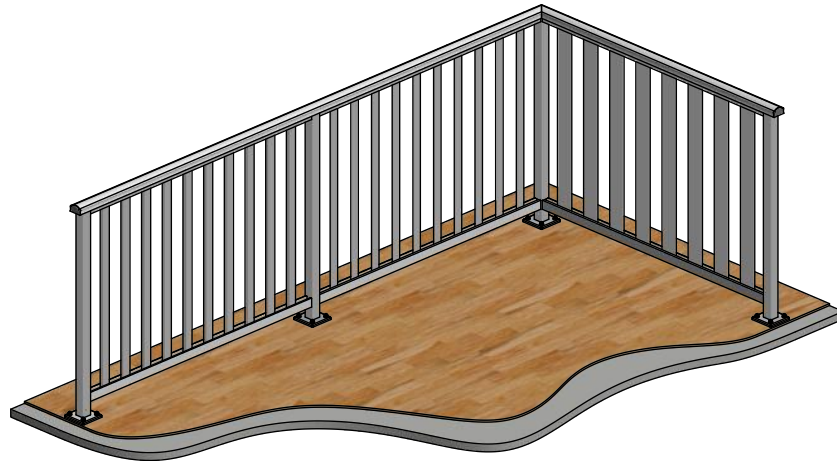
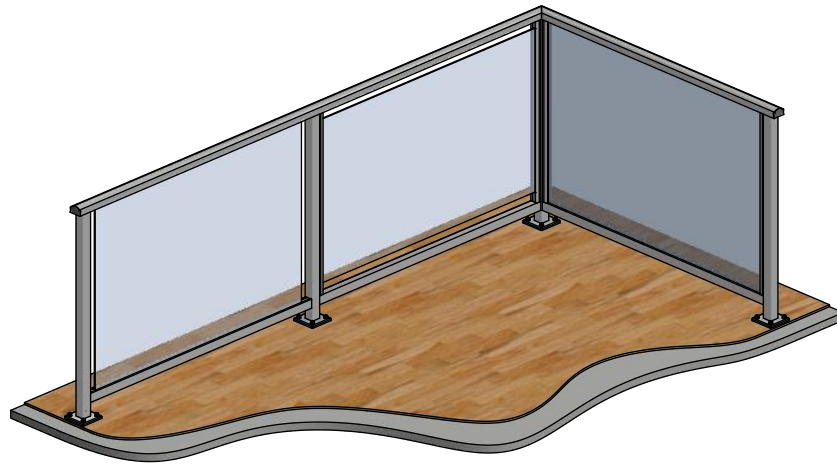
# INSTALLATION & REFERENCE DETAILS



## Architectural .75

BALUSTRADING & PRIVACY SCREEN SYSTEMS

DESIGNED ACCORDING TO AS / NZS 1170 & NZ BUILDING CODE

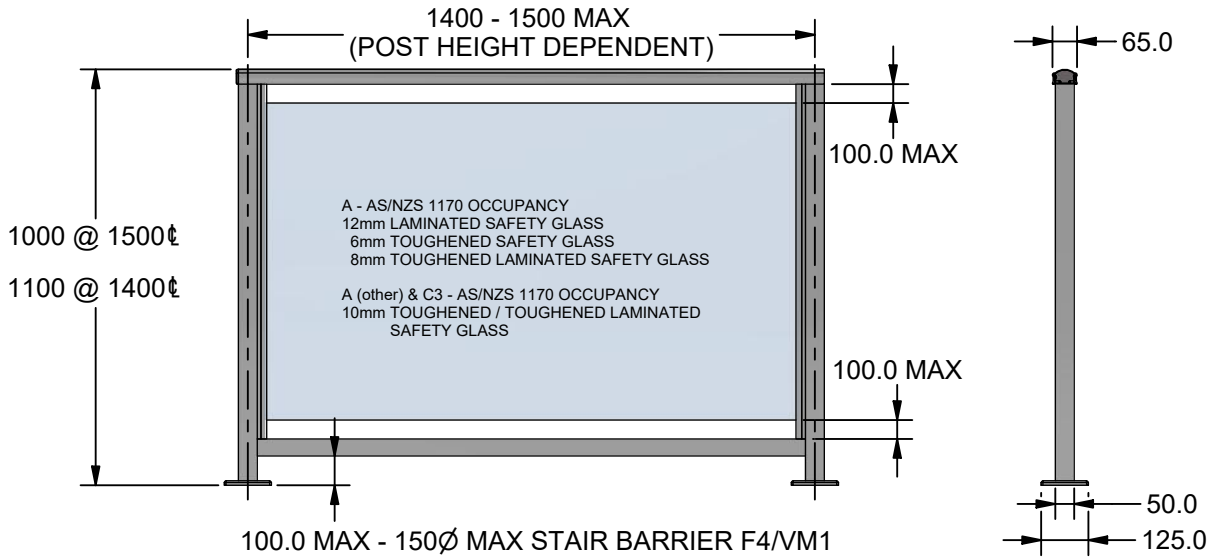


### ULLRICH ALUMINIUM ARCHITECTURAL BALUSTRADING SYSTEM

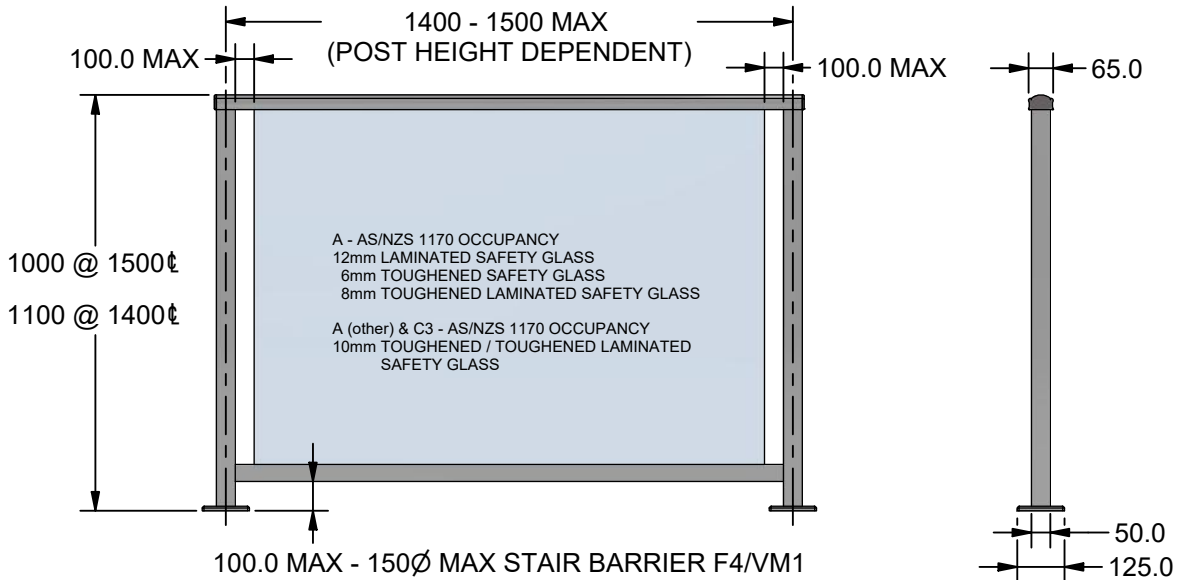
01 - SHEET ALL DIMENSIONS IN MM  
BALUSTRADE DISPLAY ASSEMBLY  
SCALE - 1:35 ISSUE DATE - 17/03/2021

**NOTE:**  
FIXING SUPPORT STRUCTURES LIKE  
TIMBER JOISTS, STEEL BEAMS, CONCRETE, etc.  
TO BE DESIGNED BY OTHER ENGINEERS

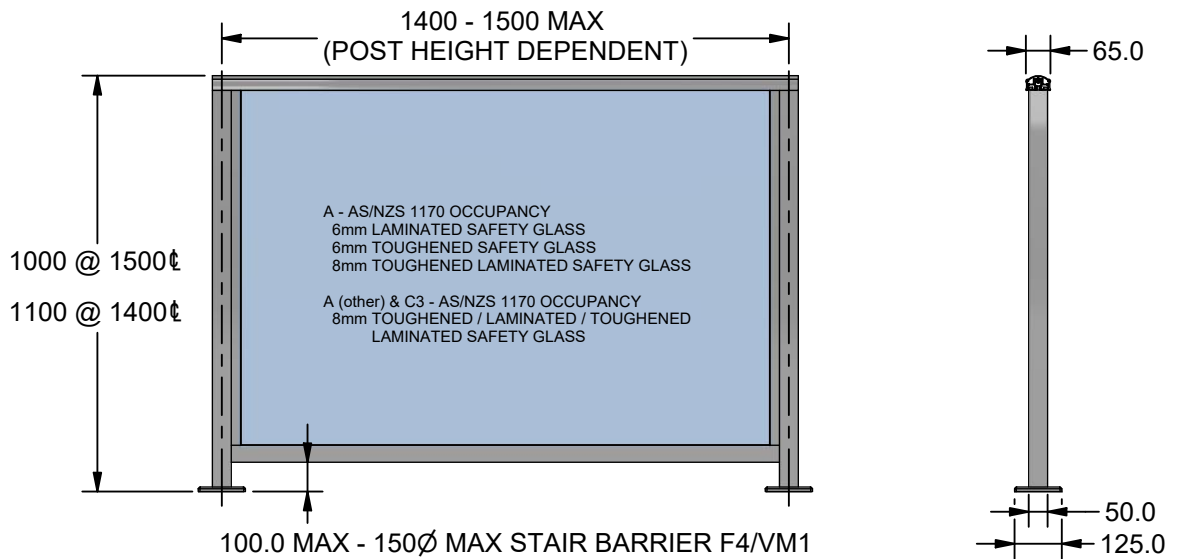
### HORIZONTAL GLAZING



### VERTICAL GLAZING



### FULL GLAZING

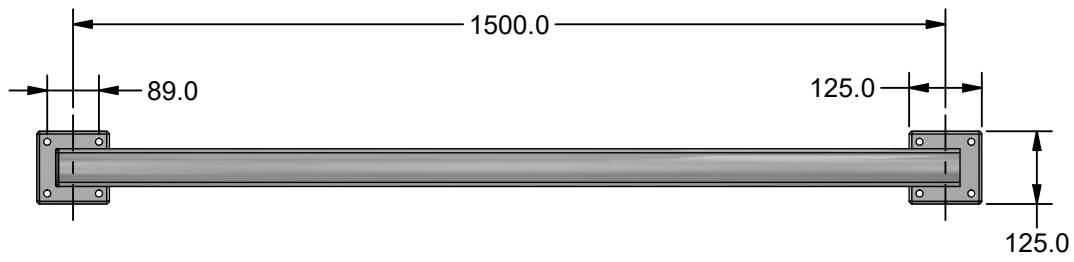


GLASS THICKNESS REFERENCED FROM TABLE 4.2 & TABLE 4.3 IN GUIDANCE ON BARRIER DESIGN - MARCH 2012, DEPARTMENT OF BUILDING AND HOUSING, NZ - SBN: 978-0-478-38116-0

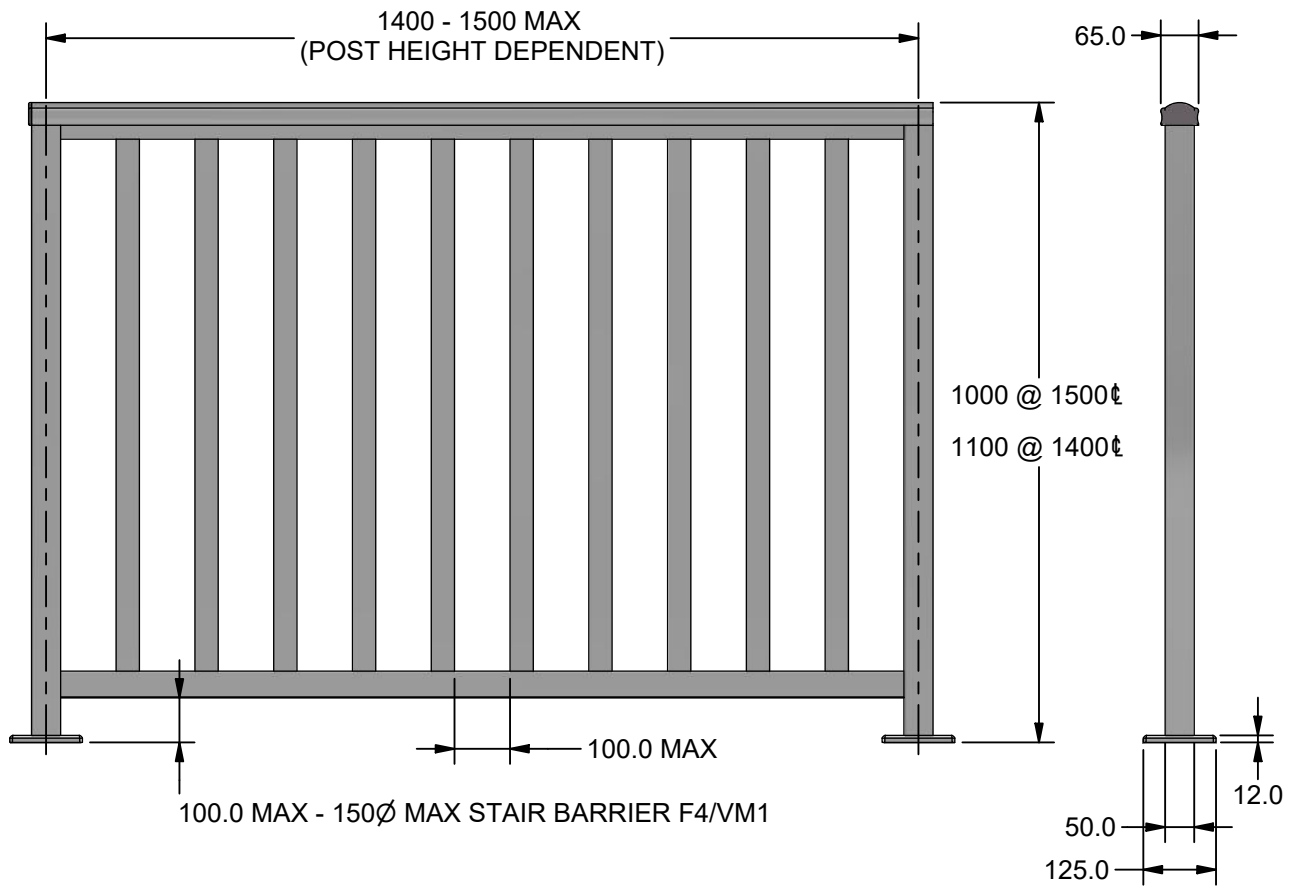


## ULLRICH ALUMINIUM ARCHITECTURAL BALUSTRADING SYSTEM

02 - SHEET ALL DIMENSIONS IN MM  
BALUSTRADE GLAZING ASSEMBLIES  
SCALE - 1:20 ISSUE DATE - 17/03/2021



UA 1988 INFILL - TOP VIEW

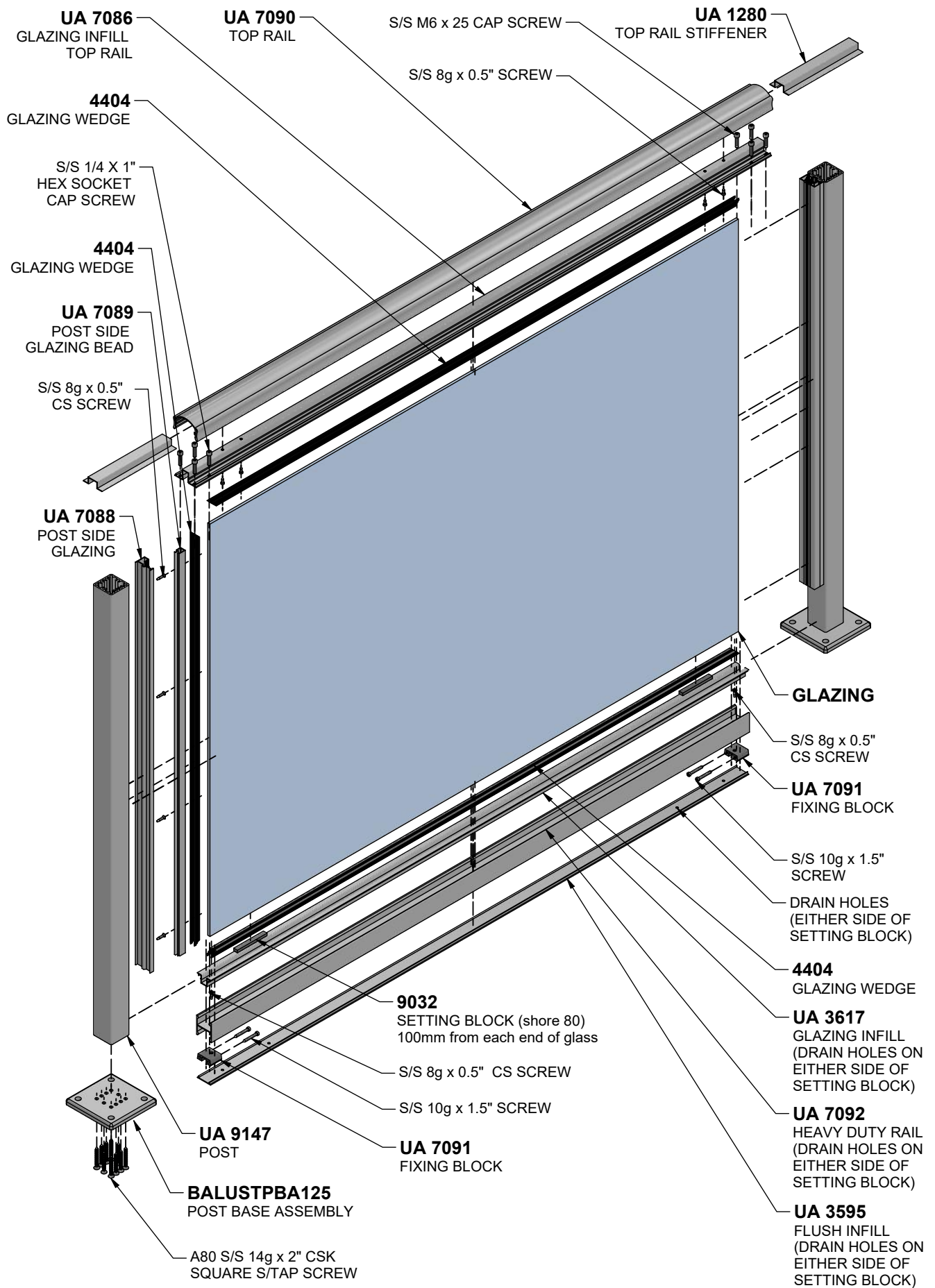


UA 1988 INFILL - SIDE VIEW



**ULLRICH ALUMINIUM**  
**ARCHITECTURAL BALUSTRADING SYSTEM**

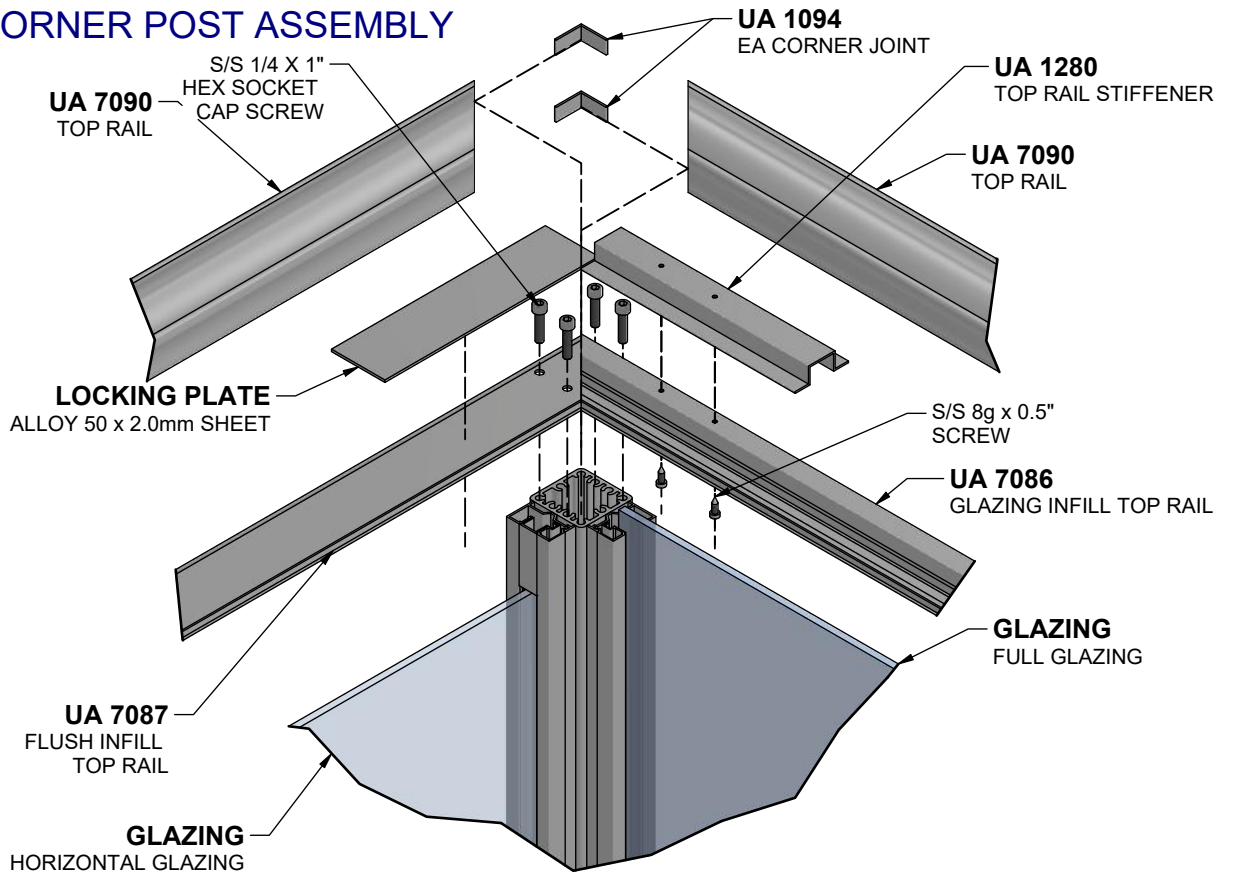
03 - SHEET ALL DIMENSIONS IN MM  
 BALUSTRADE INFILL ASSEMBLY  
 SCALE - 1:13 ISSUE DATE - 17/03/2021



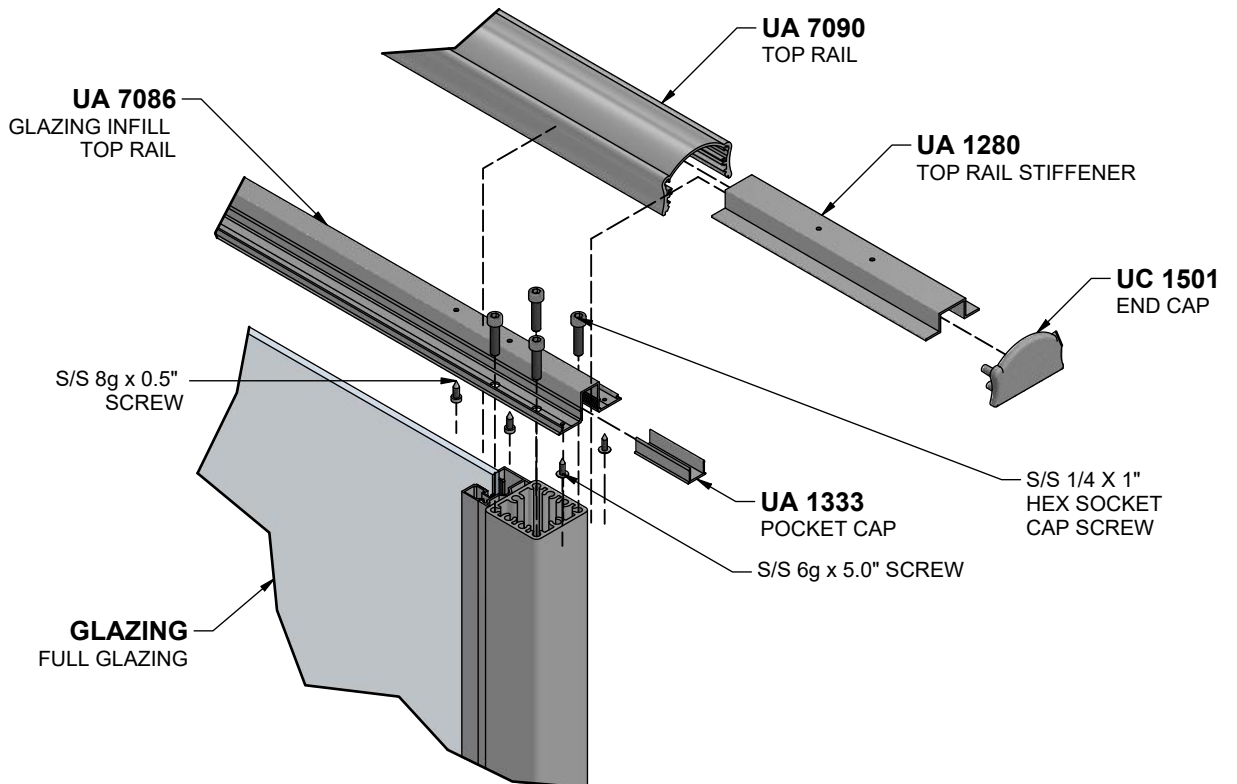
## ULLRICH ALUMINIUM ARCHITECTURAL BALUSTRADING SYSTEM

**04 - SHEET** ALL DIMENSIONS IN MM  
BALUSTRADE FULL GLAZING - EXPLODED VIEW  
SCALE - 1:10 ISSUE DATE - 17/03/2021

## CORNER POST ASSEMBLY

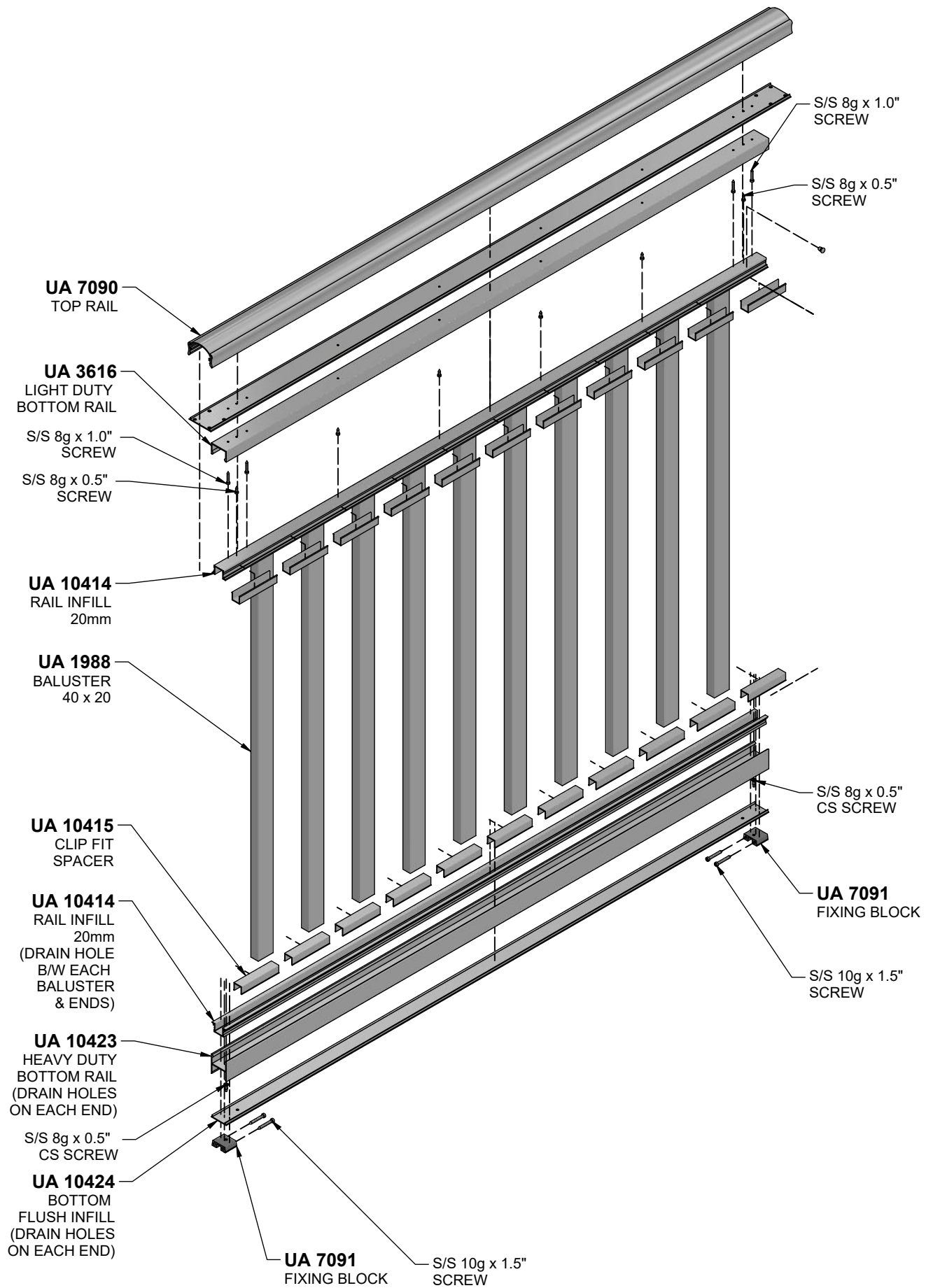


## END POST ASSEMBLY



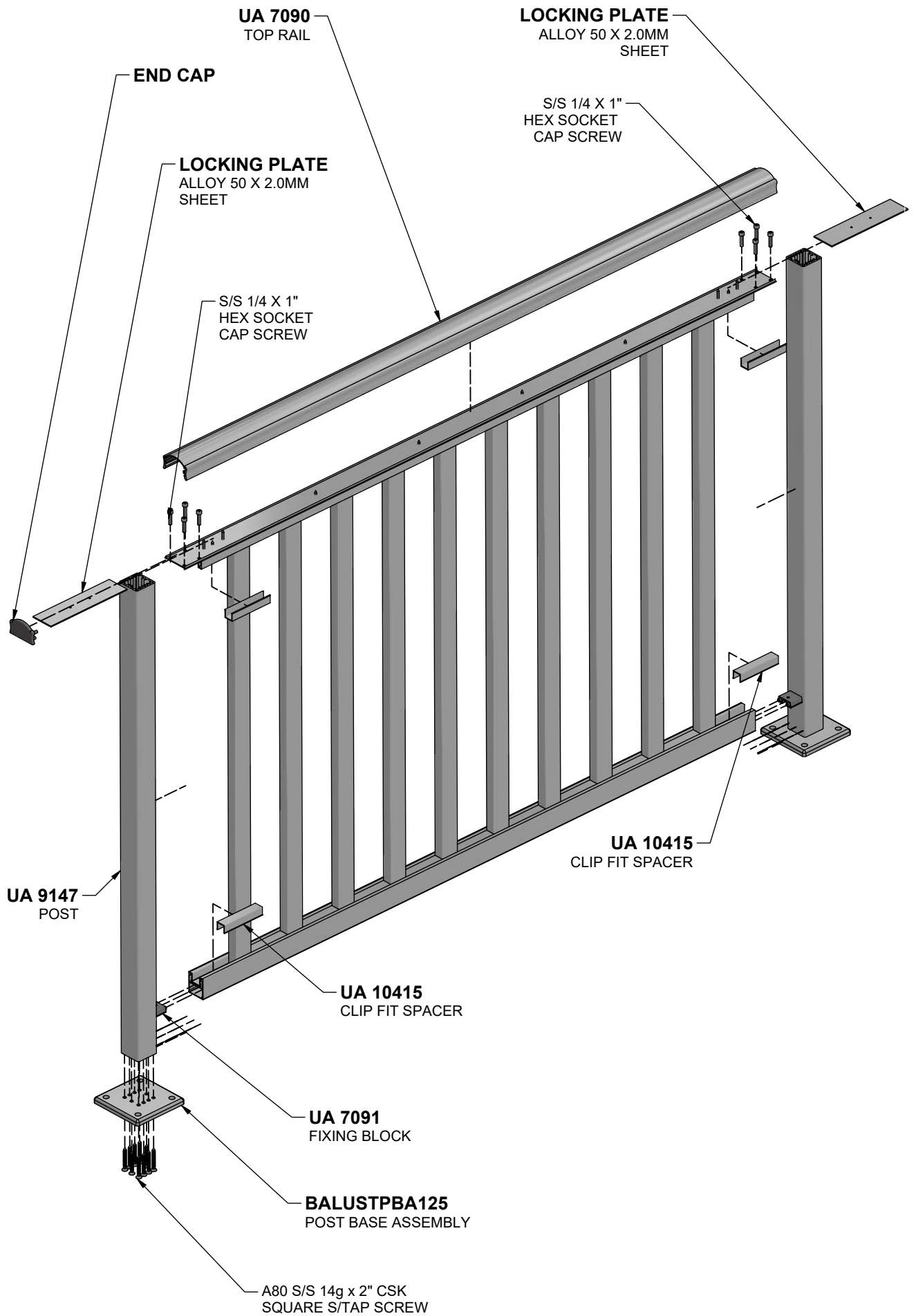
### ULLRICH ALUMINIUM ARCHITECTURAL BALUSTRADING SYSTEM

05 - SHEET ALL DIMENSIONS IN MM  
BALUSTRADE CORNER & END - EXPLODED VIEWS  
SCALE - 1:5 ISSUE DATE - 17/03/2021



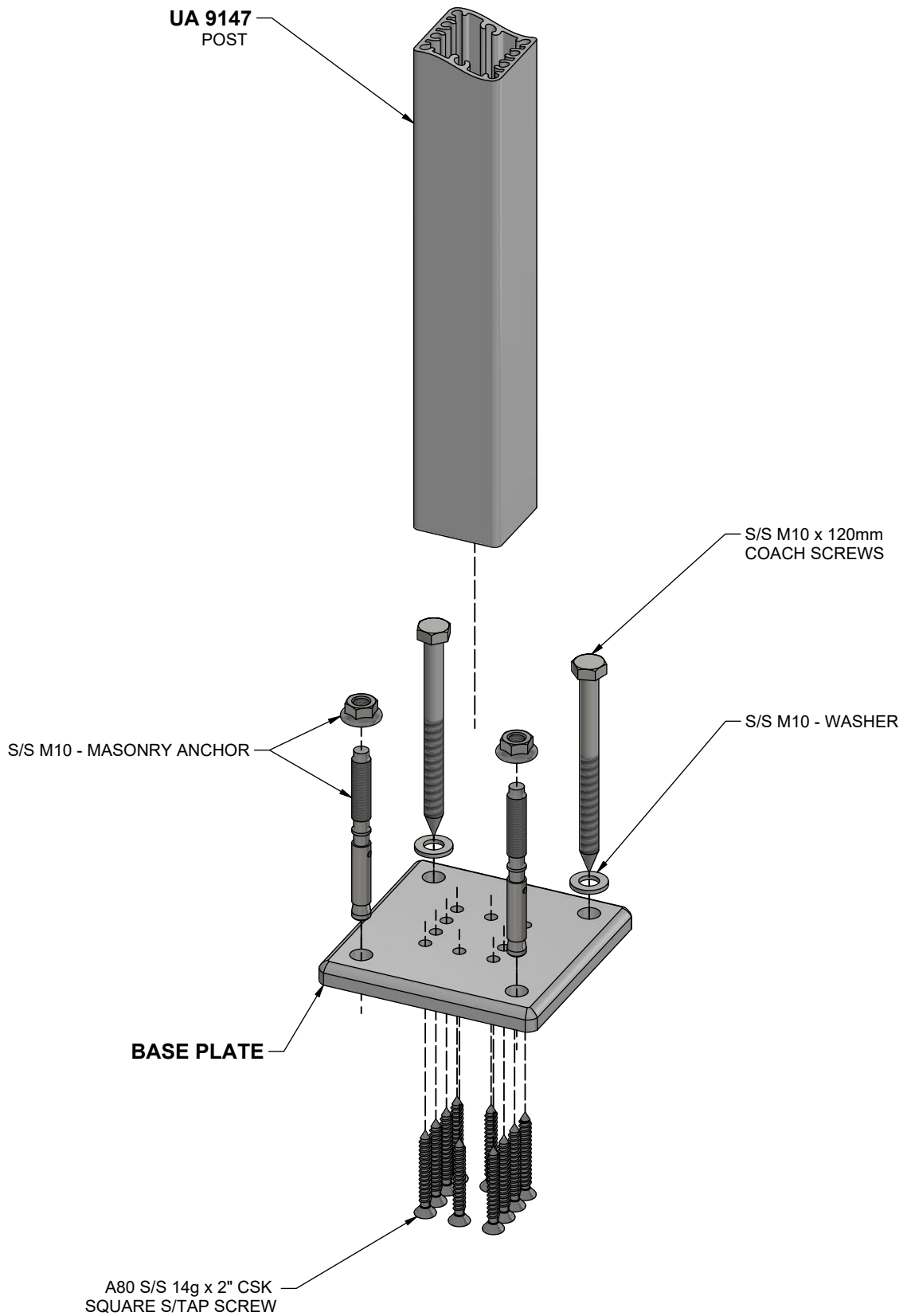
**ULLRICH ALUMINIUM**  
**ARCHITECTURAL BALUSTRADING SYSTEM**

**06 - SHEET** ALL DIMENSIONS IN MM  
BALUSTER INFILL PANEL - EXPLODED VIEW  
SCALE - 1:10 ISSUE DATE - 17/03/2021



**ULLRICH ALUMINIUM**  
**ARCHITECTURAL BALUSTRADING SYSTEM**

07 - SHEET ALL DIMENSIONS IN MM  
 BALUSTRADE UA 1988 - EXPLODED VIEW  
 SCALE - 1:10 ISSUE DATE - 17/03/2021

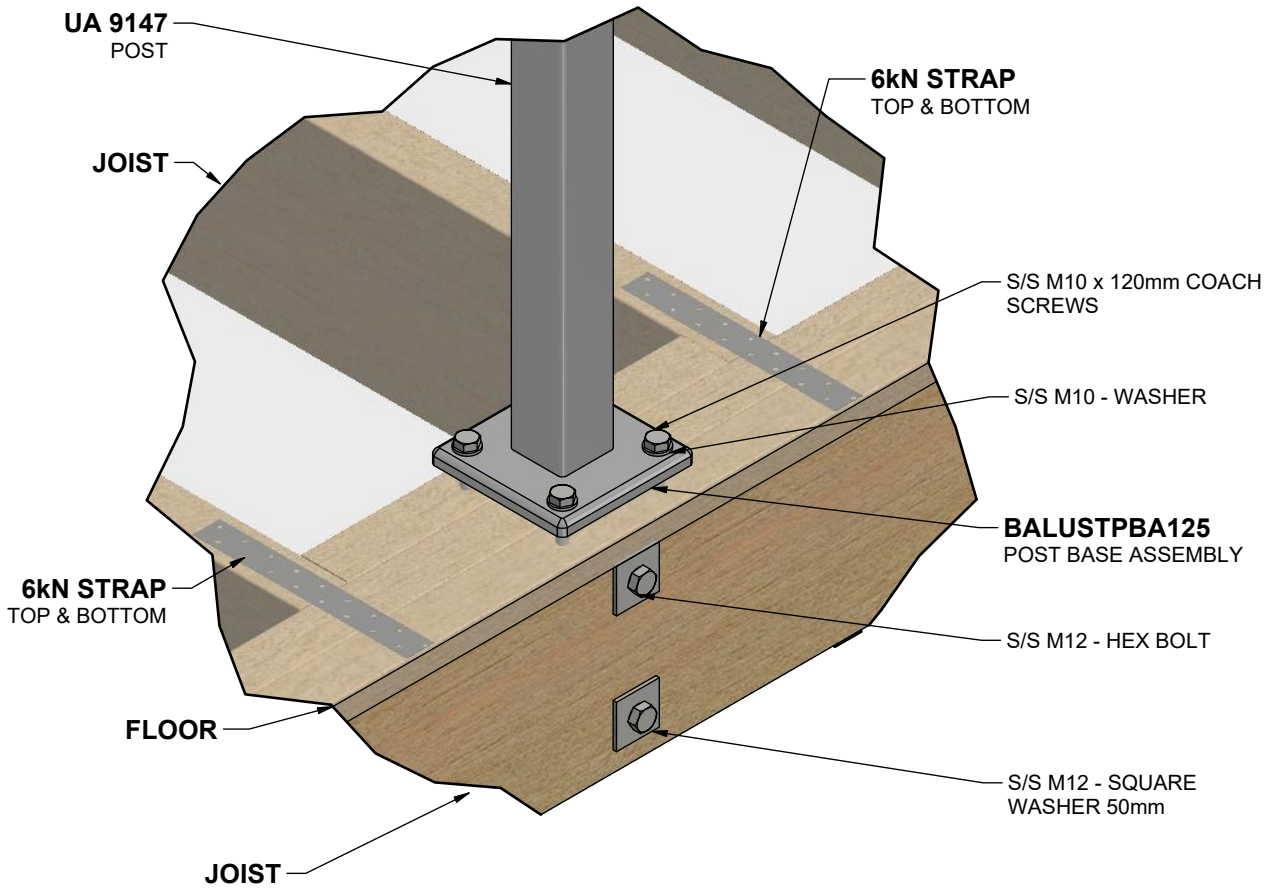


**ULLRICH ALUMINIUM**  
**ARCHITECTURAL BALUSTRADING SYSTEM**

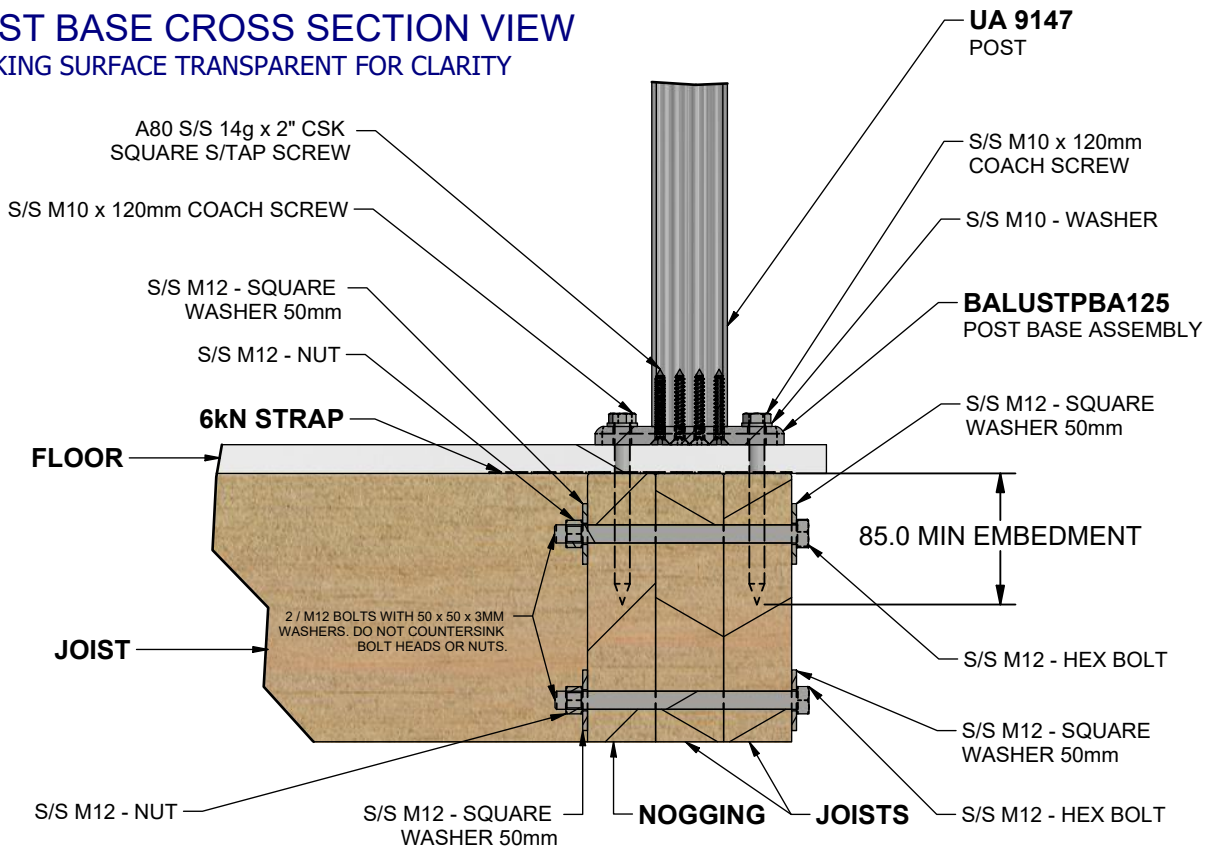
08 - SHEET ALL DIMENSIONS IN MM  
BALUSTRADE BASE PLATE - EXPLODED VIEW  
SCALE - 1:3.2 ISSUE DATE - 17/03/2021



**POST BASE ISO VIEW**  
DECKING SURFACE TRANSPARENT FOR CLARITY



**POST BASE CROSS SECTION VIEW**  
DECKING SURFACE TRANSPARENT FOR CLARITY



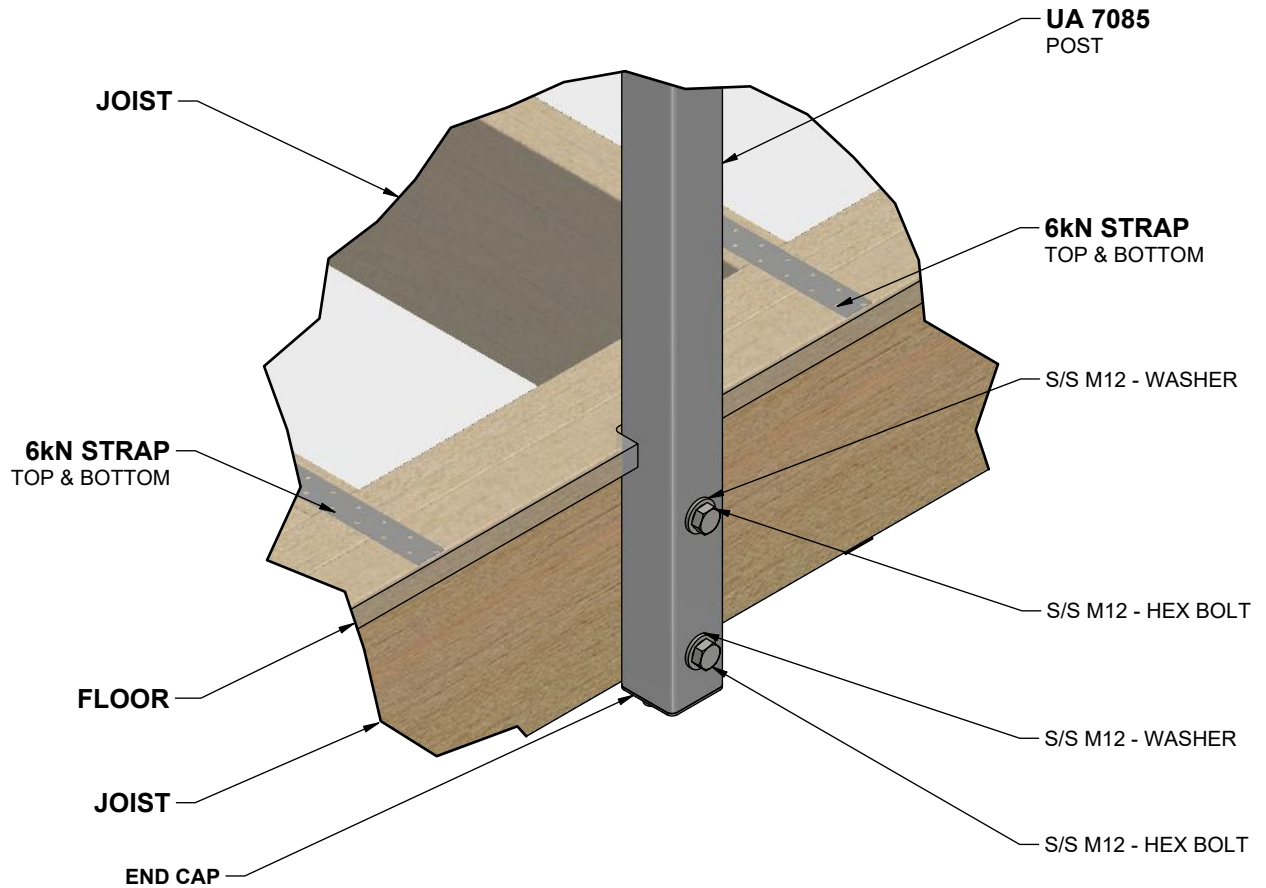
**ULLRICH ALUMINIUM**  
**ARCHITECTURAL BALUSTRADING SYSTEM**

09 - SHEET ALL DIMENSIONS IN MM  
BALUSTRADE POST BASE CONNECTION - TIMBER  
SCALE - 1:5 ISSUE DATE - 17/03/2021

**NOTE:**  
**FIXING SUPPORT STRUCTURES LIKE**  
**TIMBER JOISTS, STEEL BEAMS, CONCRETE, etc.**  
**TO BE DESIGNED BY OTHER ENGINEERS**

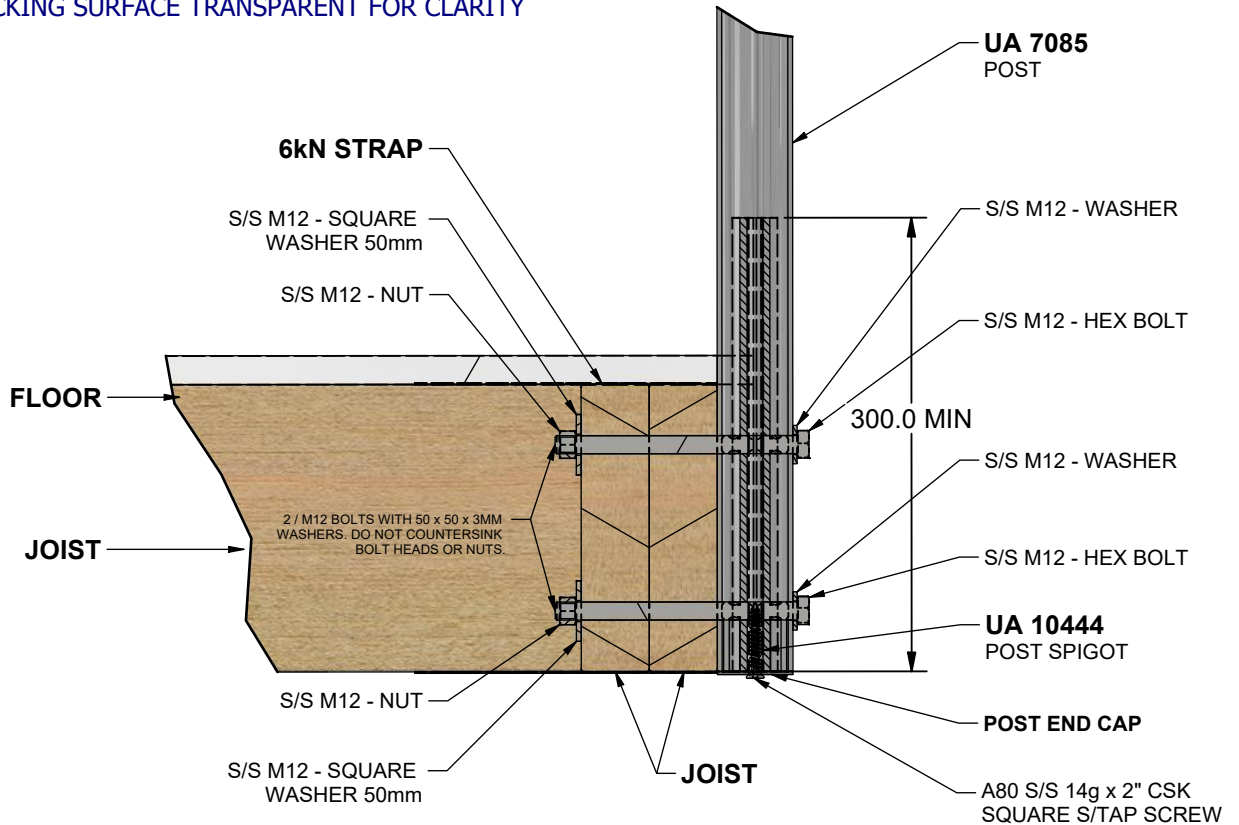
## POST ISO VIEW

DECKING SURFACE TRANSPARENT FOR CLARITY



## POST CROSS SECTION VIEW

DECKING SURFACE TRANSPARENT FOR CLARITY



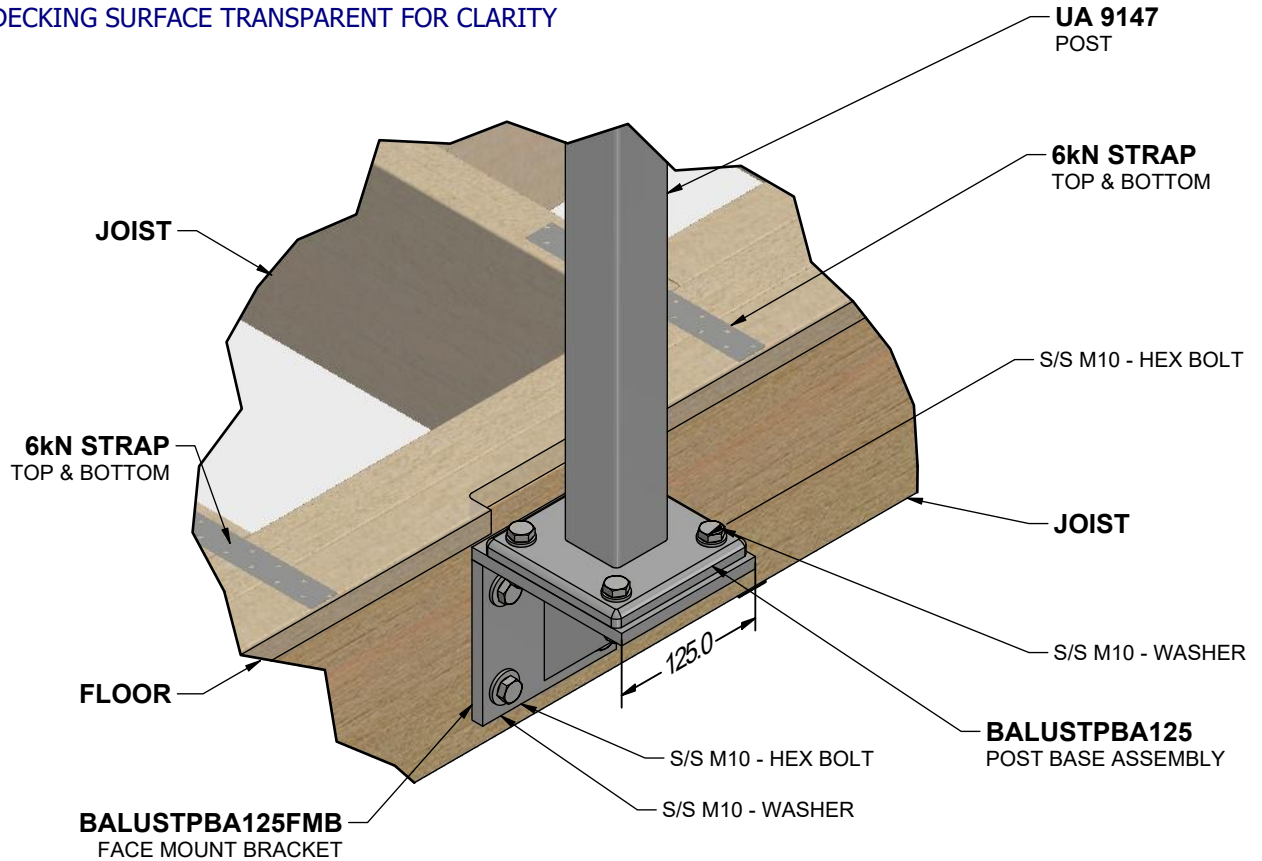
### ULLRICH ALUMINIUM ARCHITECTURAL BALUSTRADING SYSTEM

10 - SHEET ALL DIMENSIONS IN MM

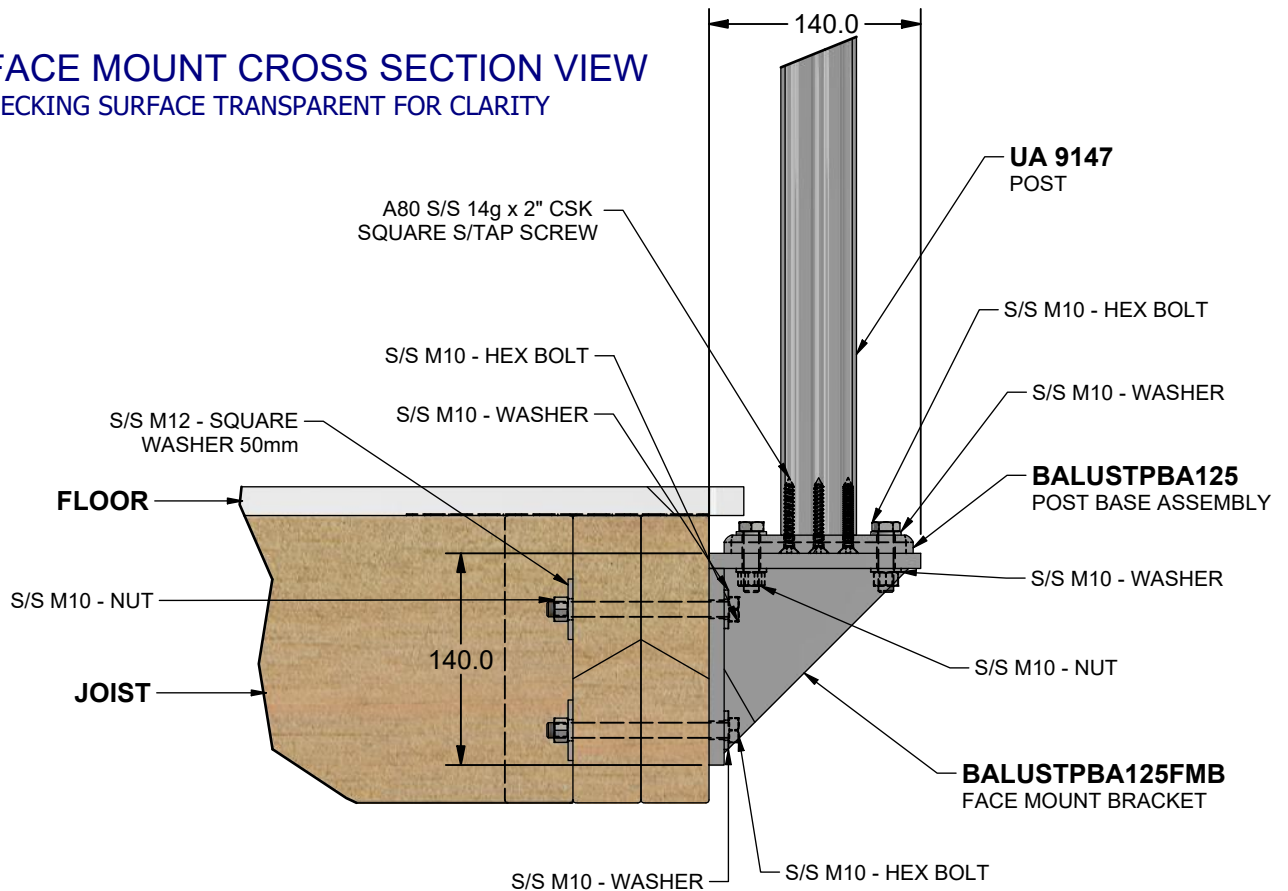
BALUSTRADE POST CONNECTION - TIMBER  
SCALE - 1:5 ISSUE DATE - 17/03/2021

**NOTE:**  
**FIXING SUPPORT STRUCTURES LIKE  
TIMBER JOISTS, STEEL BEAMS, CONCRETE, etc.  
TO BE DESIGNED BY OTHER ENGINEERS**

**FACE MOUNT ISO VIEW**  
DECKING SURFACE TRANSPARENT FOR CLARITY



**FACE MOUNT CROSS SECTION VIEW**  
DECKING SURFACE TRANSPARENT FOR CLARITY

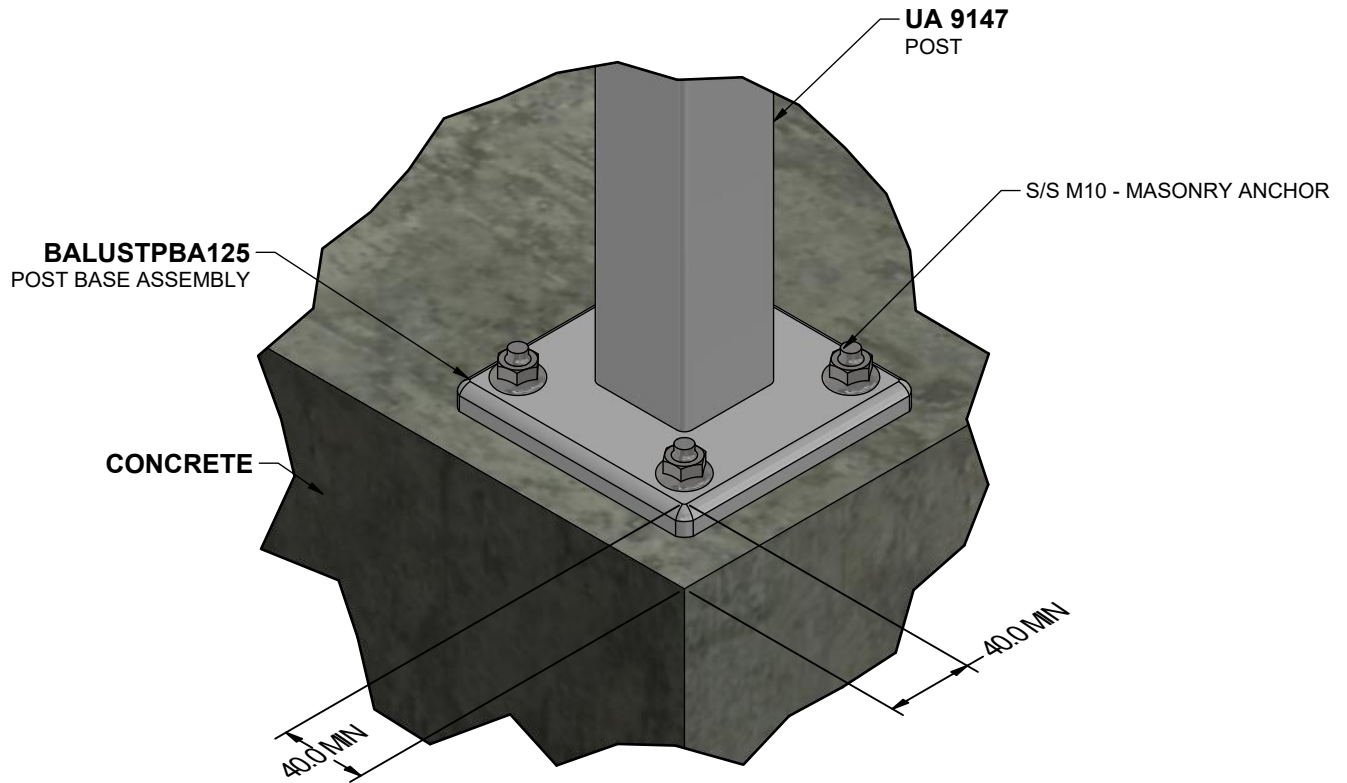


**ULLRICH ALUMINIUM**  
**ARCHITECTURAL BALUSTRADING SYSTEM**

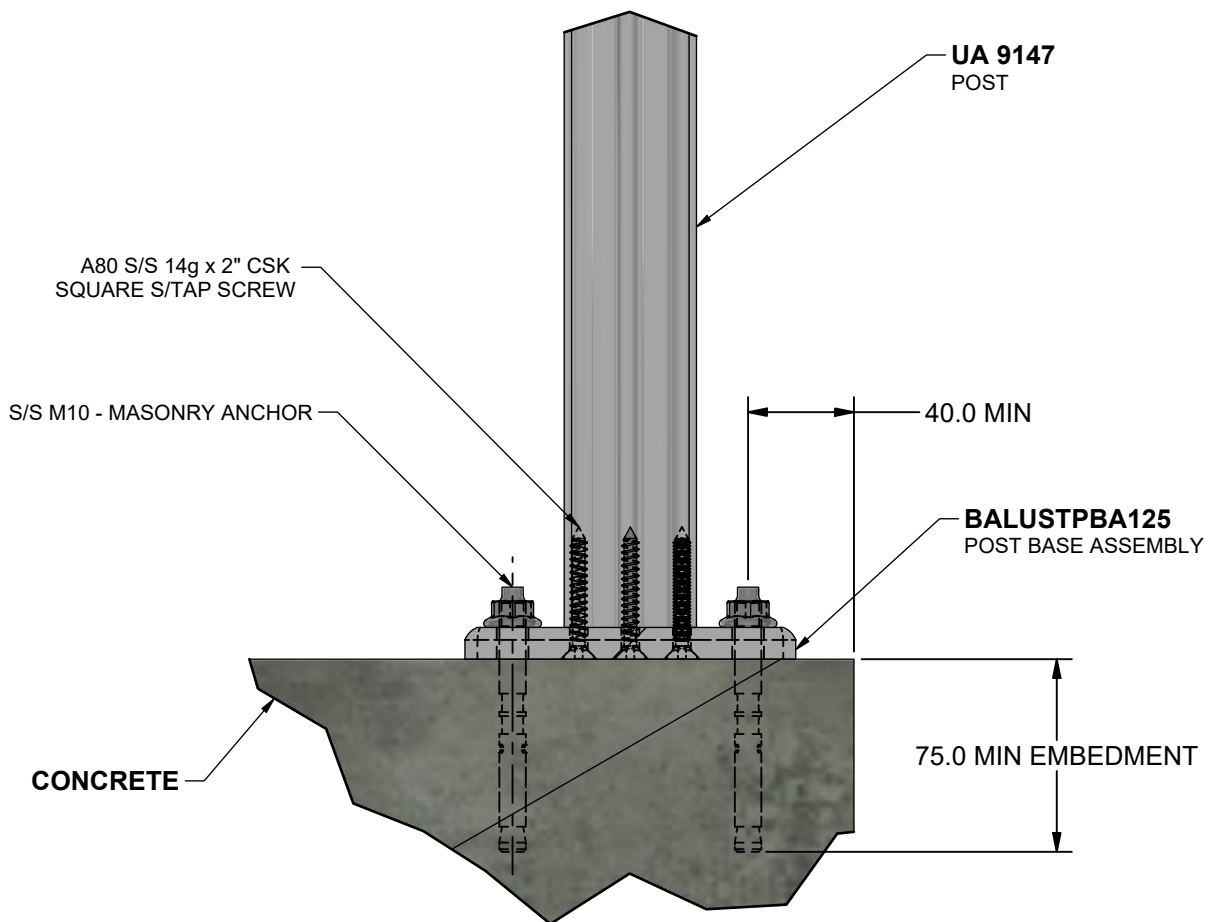
11 - SHEET ALL DIMENSIONS IN MM  
BALUSTRADE FACE MOUNT CONNECTION - TIMBER  
SCALE - 1:5 ISSUE DATE - 17/03/2021

**NOTE:**  
**FIXING SUPPORT STRUCTURES LIKE**  
**TIMBER JOISTS, STEEL BEAMS, CONCRETE, etc.**  
**TO BE DESIGNED BY OTHER ENGINEERS**

## POST BASE ISO VIEW



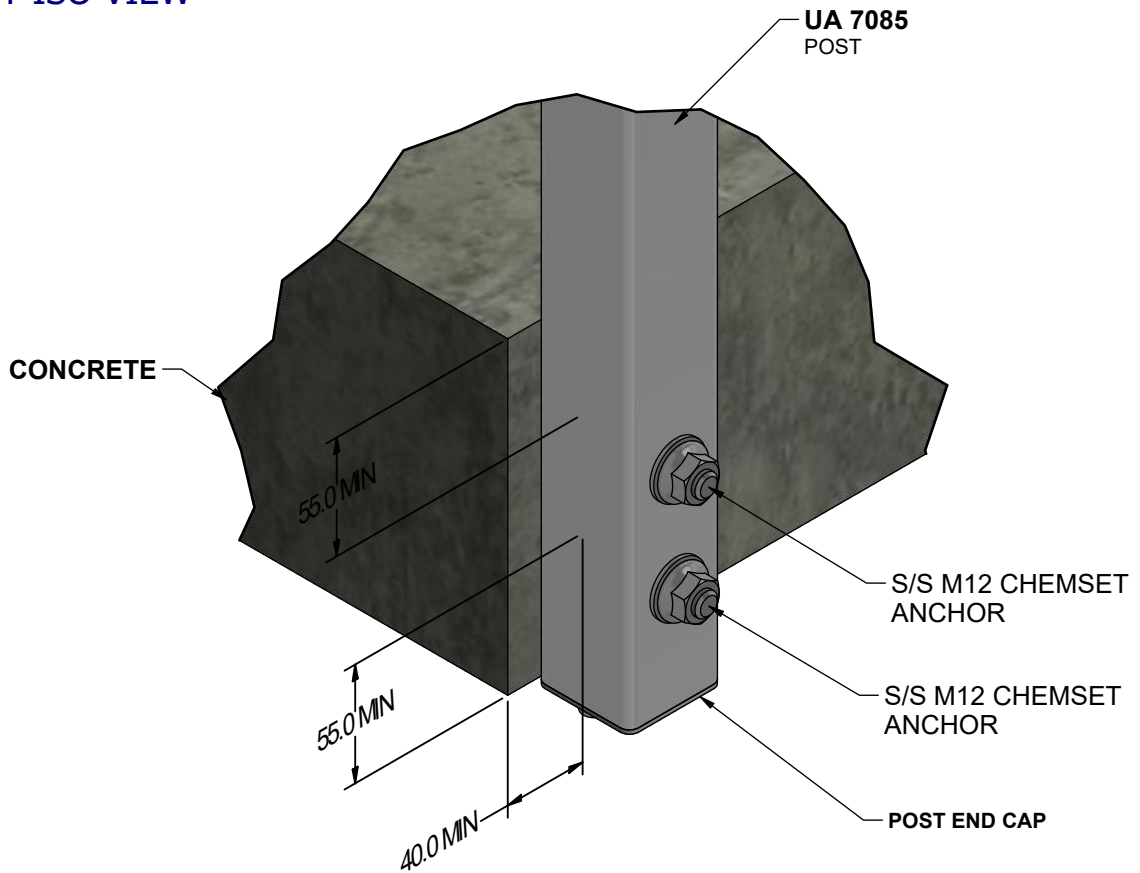
## POST BASE CROSS SECTION VIEW



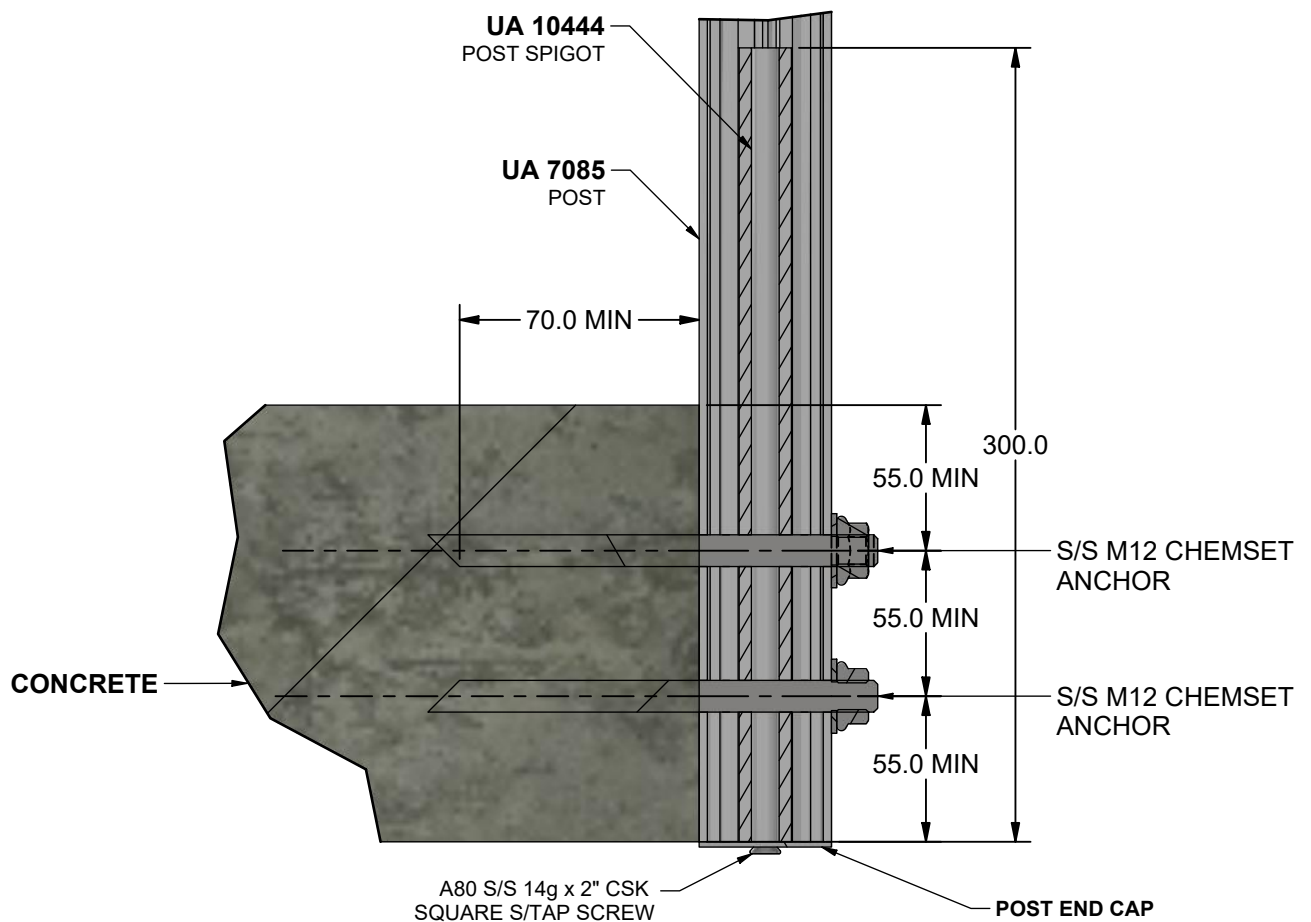
**ULLRICH ALUMINIUM**  
**ARCHITECTURAL BALUSTRADING SYSTEM**  
 12 - SHEET ALL DIMENSIONS IN MM  
 BALUSTRADE POST BASE CONNECTION - CONCRETE  
 SCALE - 1:2.8 ISSUE DATE - 17/03/2021

**NOTE:**  
**FIXING SUPPORT STRUCTURES LIKE**  
**TIMBER JOISTS, STEEL BEAMS, CONCRETE, etc.**  
**TO BE DESIGNED BY OTHER ENGINEERS**

## POST ISO VIEW



## POST CROSS SECTION VIEW

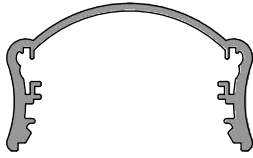


### ULLRICH ALUMINIUM ARCHITECTURAL BALUSTRADING SYSTEM

13 - SHEET ALL DIMENSIONS IN MM  
BALUSTRADE POST CONNECTION - CONCRETE  
SCALE - 1:2.8 ISSUE DATE - 17/03/2021

**NOTE:**  
**FIXING SUPPORT STRUCTURES LIKE  
TIMBER JOISTS, STEEL BEAMS, CONCRETE, etc.  
TO BE DESIGNED BY OTHER ENGINEERS**

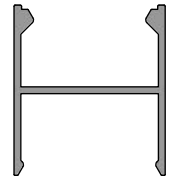
**UA 7090**  
TOP RAIL



**UA 10424**  
FLUSH INFILL



**UA 10423**  
HEAVY DUTY RAIL



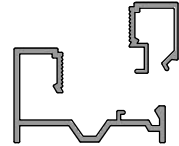
**UA 1280**  
TOP RAIL STIFFENER



**UA 10414**  
GLAZING INFILL

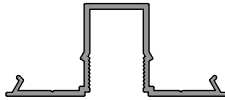


**UA 7088**  
POST SIDE GLAZING



**UA 7089**  
POST SIDE  
GLAZING BEAD

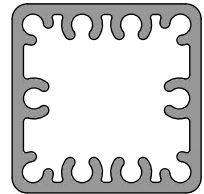
**UA 7086**  
GLAZING INFILL TOP RAIL



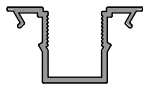
**UA 10415**  
CLIP FIT SPACER



**UA 9147**  
POST



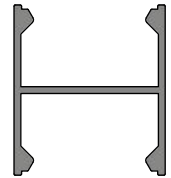
**UA 3617**  
GLAZING INFILL



**UA 3595**  
FLUSH INFILL



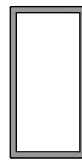
**UA 7092**  
HEAVY DUTY RAIL



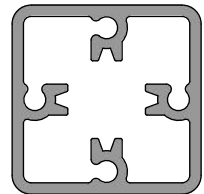
**UA 1333**  
POCKET CAP



**UA 1988**  
BALUSTER 40 x 20



**UA 7085**  
POST



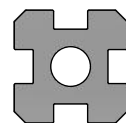
**UA 7087**  
FLUSH INFILL TOP RAIL



**UA 3616**  
LIGHT DUTY RAIL



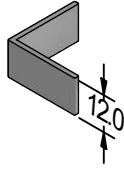
**UA 10444**  
POST SPIGOT



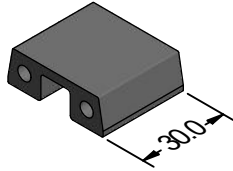
**ULLRICH ALUMINIUM**  
**ARCHITECTURAL BALUSTRADING SYSTEM**

14 - SHEET ALL DIMENSIONS IN MM  
BALUSTRADE SECTION PROFILES  
SCALE - 1:2 ISSUE DATE - 17/03/2021

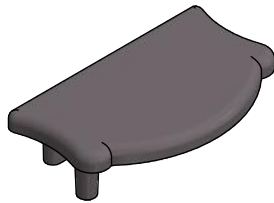
**UA 1094**  
EA CORNER JOINT



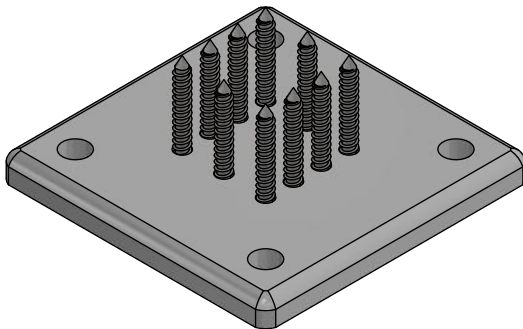
**UA 7091**  
FIXING BLOCK



**UC 1501**  
END CAP



**BALUSTPBA125**  
POST BASE ASSEMBLY



**4402**  
GLAZING WEDGE  
GREEN - 5.5mm



**4403**  
GLAZING WEDGE  
WHITE - 5.0mm



**4404**  
GLAZING WEDGE  
YELLOW - 4.5mm



**4405**  
GLAZING WEDGE  
ORANGE - 4.0mm



**4406**  
GLAZING WEDGE  
BLACK - 3.7mm

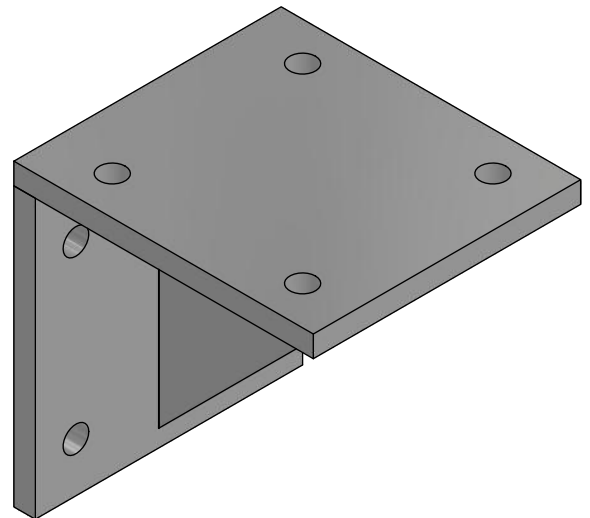


**9031**  
SETTING BLOCK  
10 x 3mm (Shore 80)



**9032**  
SETTING BLOCK  
10 x 6mm (Shore 80)

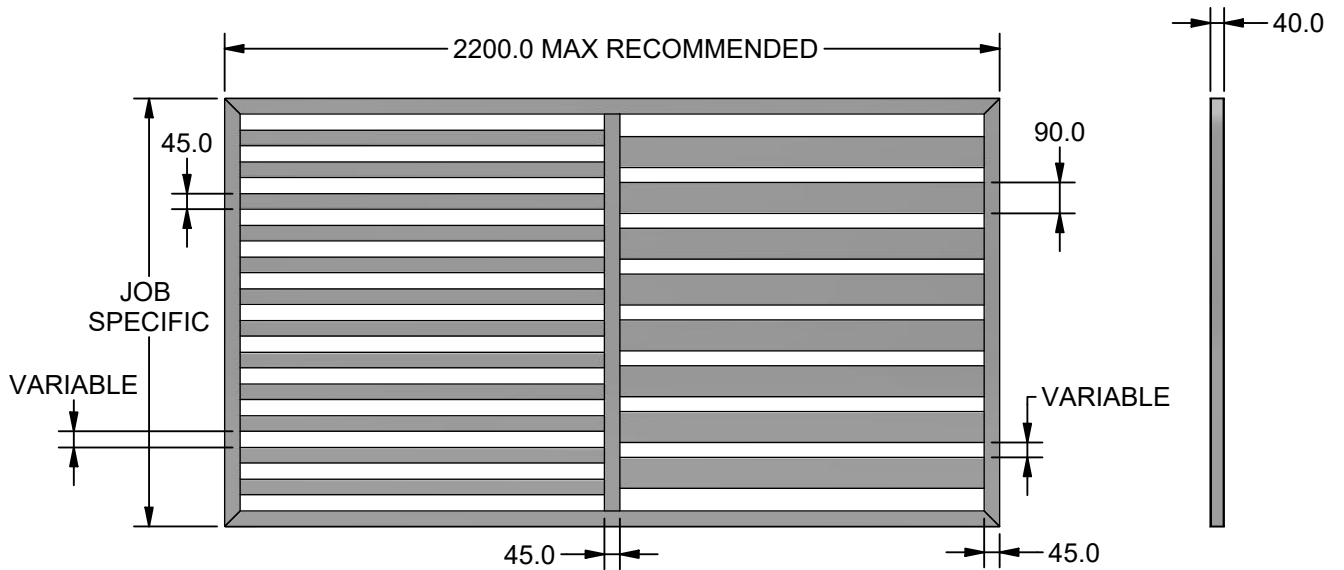
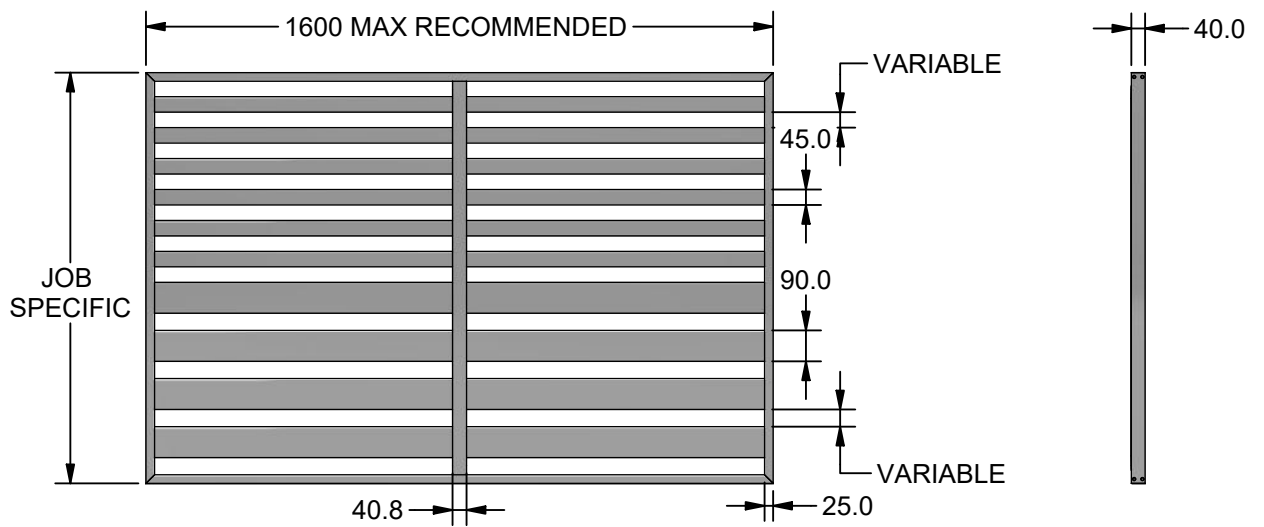
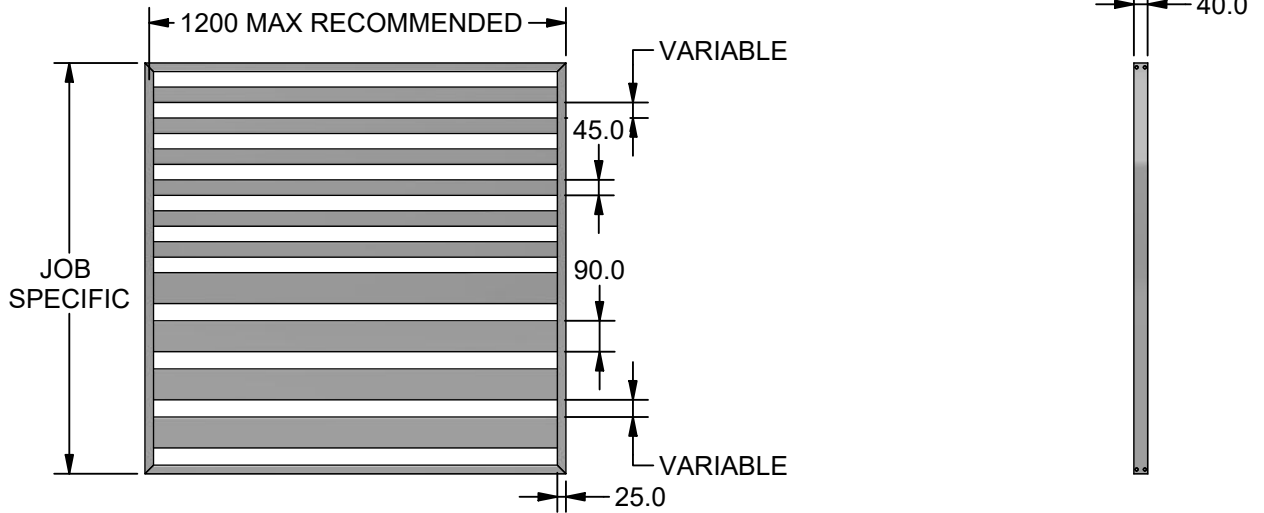
**BALUSTPBA125FMB**  
FACE MOUNT BRACKET  
(10mm 5083 Sheet)



**ULLRICH ALUMINIUM**  
**ARCHITECTURAL BALUSTRADING SYSTEM**

15 - SHEET ALL DIMENSIONS IN MM  
BALUSTRADE ACCESSORIES  
SCALE - N/A ISSUE DATE - 17/03/2021

**NOTE: PRIVACY SCREENS REQUIRE CERTIFICATION**



- SUITABLE FOR FENCE PANELS AND PRIVACY SCREENS.
- SLATS CAN BE FITTED HORIZONTALLY OR VERTICALLY.



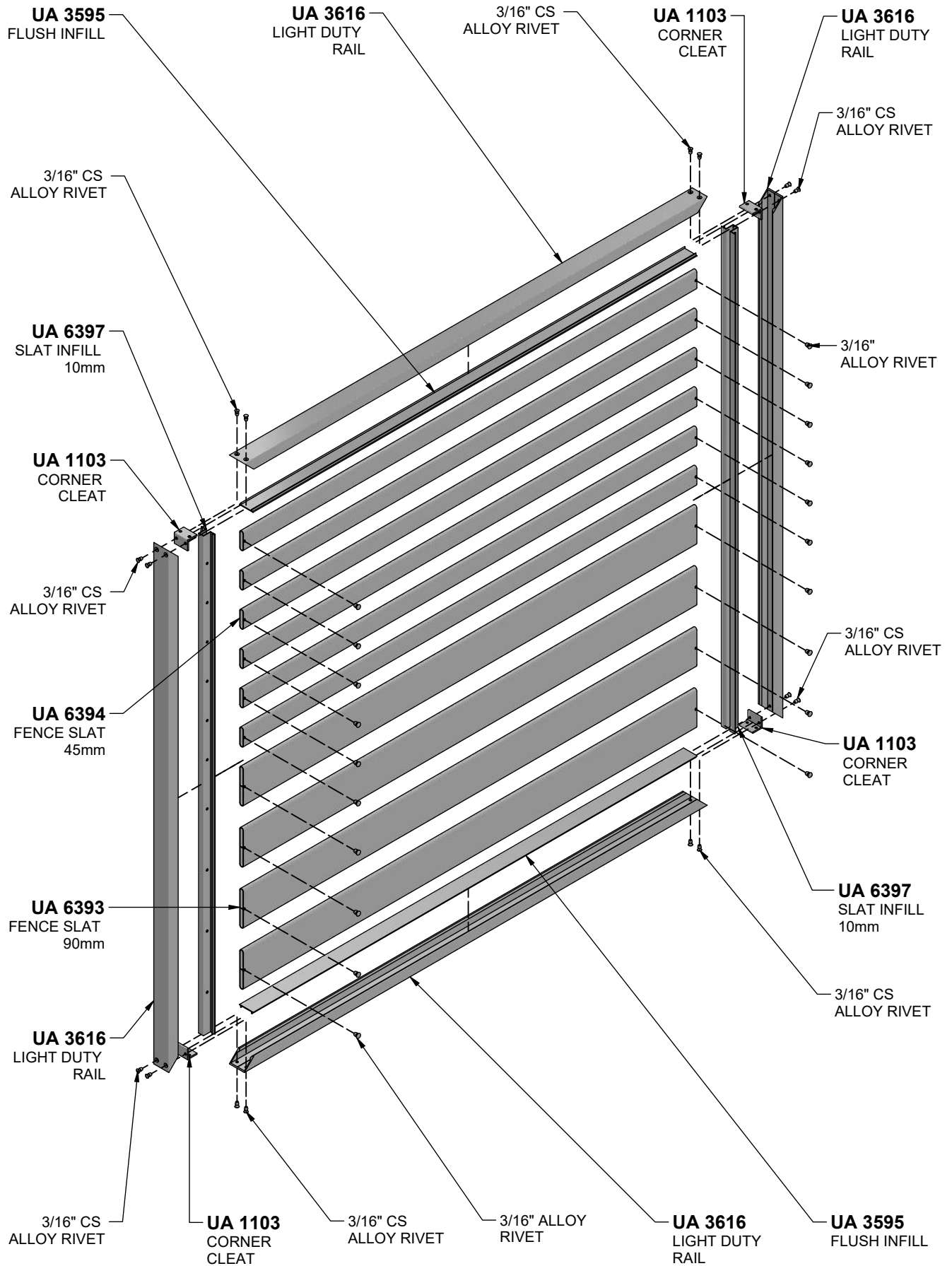
**ULLRICH ALUMINIUM  
ARCHITECTURAL BALUSTRADING SYSTEM**

16 - SHEET ALL DIMENSIONS IN MM  
 PRIVACY SCREEN ASSEMBLIES  
 SCALE - 1:22 ISSUE DATE - 17/03/2021

**NOTE:**  
 FIXING SUPPORT STRUCTURES LIKE  
 TIMBER JOISTS, STEEL BEAMS, CONCRETE, etc.  
 TO BE DESIGNED BY OTHER ENGINEERS



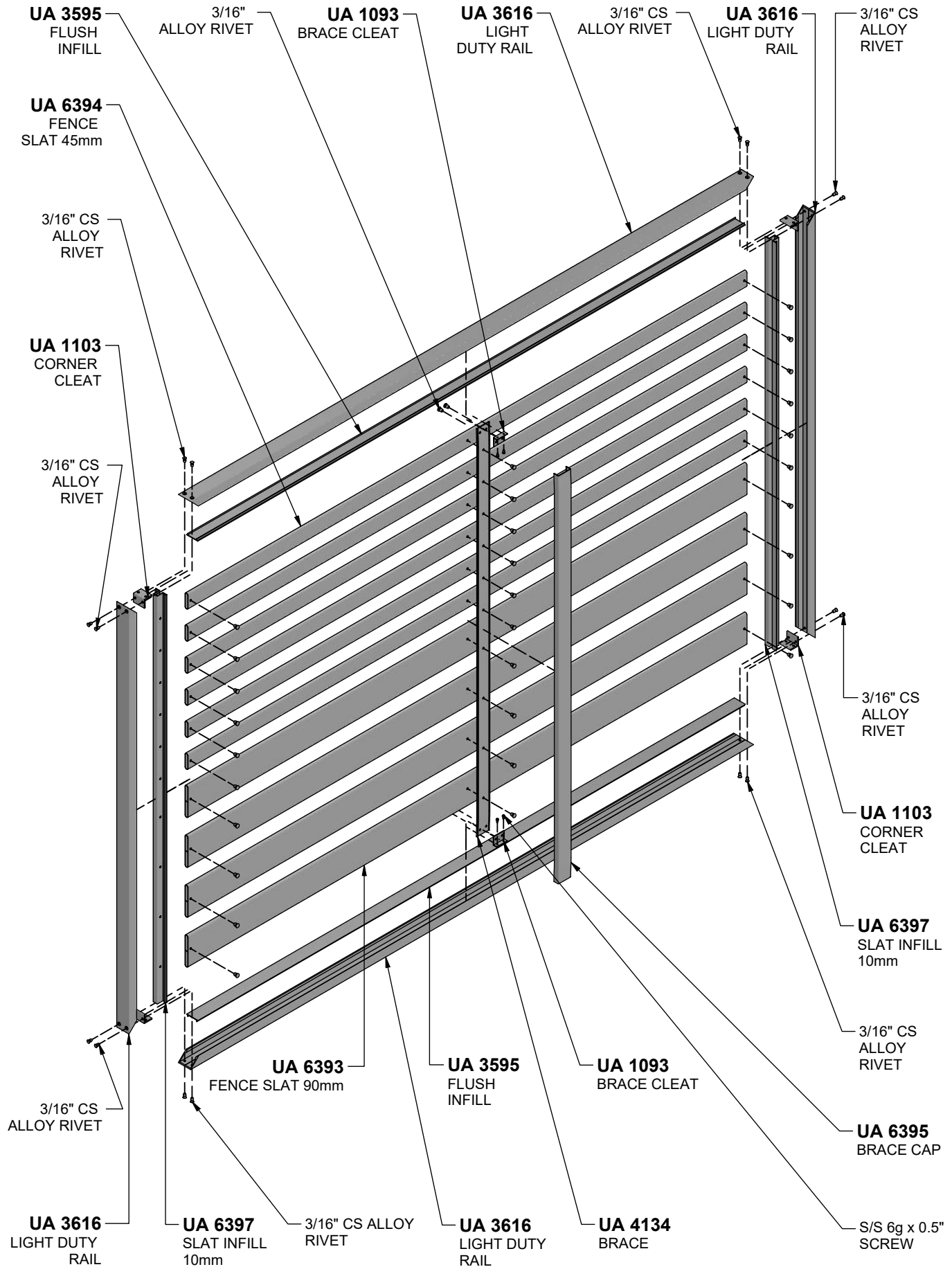
**NOTE: PRIVACY SCREENS REQUIRE CERTIFICATION**



**ULLRICH ALUMINIUM**  
**ARCHITECTURAL BALUSTRADING SYSTEM**

17 - SHEET ALL DIMENSIONS IN MM  
LIGHT DUTY PRIVACY SCREEN - EXPLODED VIEW  
SCALE - 1:10 ISSUE DATE - 17/03/2021

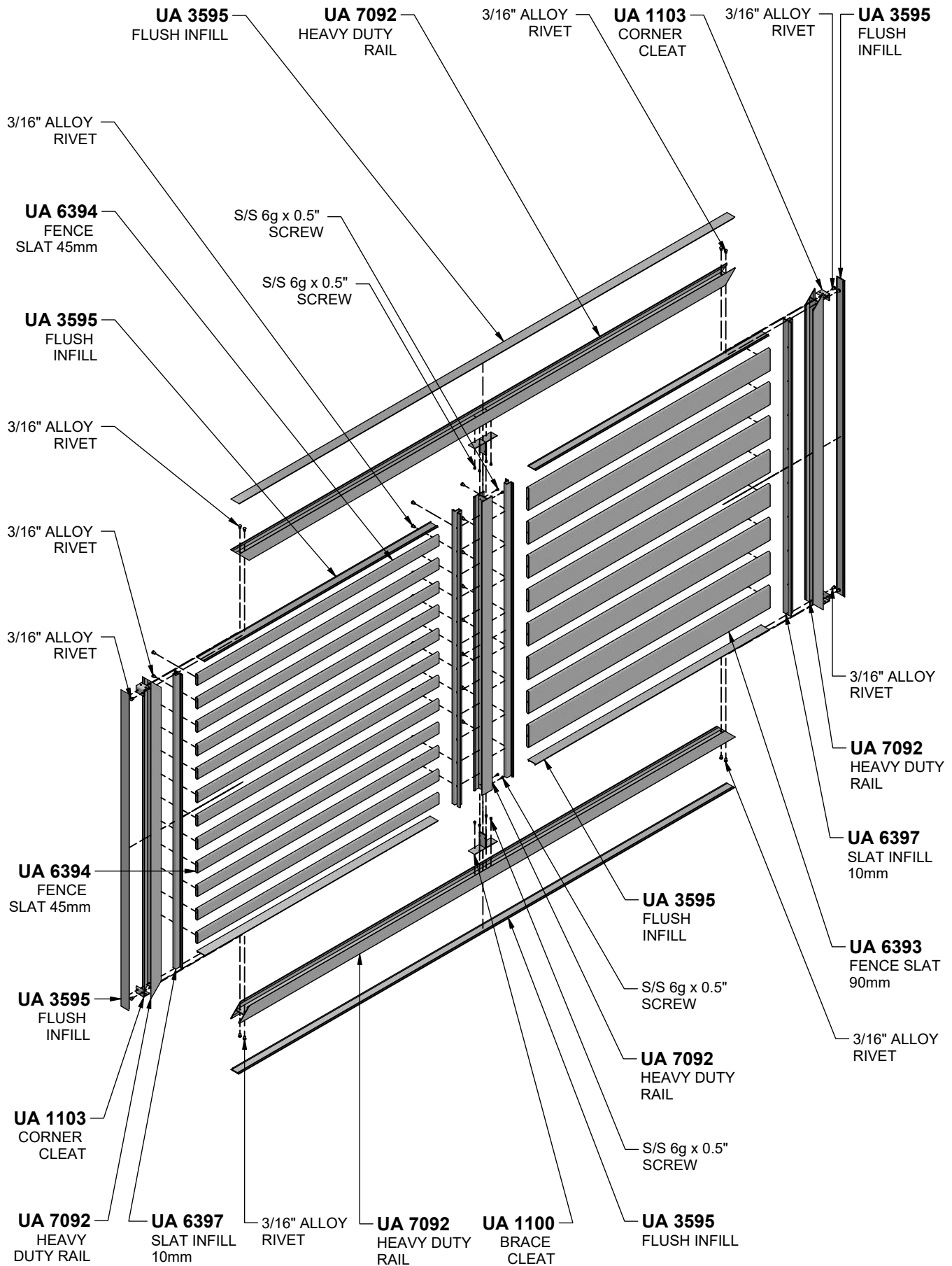
**NOTE: PRIVACY SCREENS REQUIRE CERTIFICATION**



**ULLRICH ALUMINIUM  
ARCHITECTURAL BALUSTRADING SYSTEM**

18 - SHEET ALL DIMENSIONS IN MM  
LIGHT DUTY BRACED PRIVACY SCREEN - EXPLODED VIEW  
SCALE - 1:12 ISSUE DATE - 17/03/2021

**NOTE: PRIVACY SCREENS REQUIRE CERTIFICATION**



**ULLRICH ALUMINIUM**  
**ARCHITECTURAL BALUSTRADING SYSTEM**

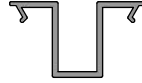
**19 - SHEET** ALL DIMENSIONS IN MM  
 HEAVY DUTY PRIVACY SCREEN - EXPLODED VIEW  
 SCALE - 1:17 ISSUE DATE - 17/03/2021

**NOTE: PRIVACY SCREENS REQUIRE CERTIFICATION**

**UA 6395**  
BRACE CAP



**UA 6397**  
SLAT INFILL 10mm



**UA 6394**  
FENCE SLAT 45mm



**UA 4134**  
BRACE



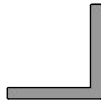
**UA 3616**  
LIGHT DUTY RAIL



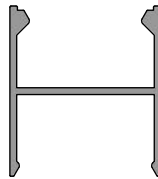
**UA 6393**  
FENCE SLAT 90mm



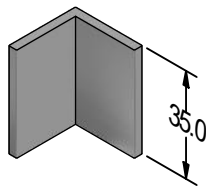
**UA 1103**  
SUPPORT FRAME



**UA 7092**  
HEAVY DUTY RAIL



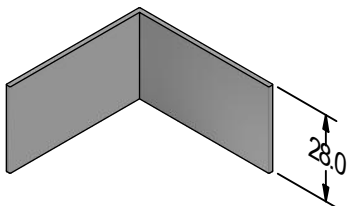
**UA 1103**  
CORNER CLEAT



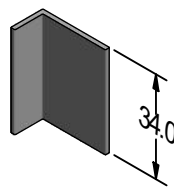
**UA 3595**  
FLUSH INFILL



**UA 1100**  
BRACE CLEAT



**UA 1093**  
BRACE CLEAT



**ULLRICH ALUMINIUM**  
**ARCHITECTURAL BALUSTRADING SYSTEM**

20 - SHEET ALL DIMENSIONS IN MM  
PRIVACY SCREEN PROFILES & ACCESSORIES  
SCALE - 1:2 ISSUE DATE - 17/03/2021