



# UA6975 SHADOLINE BOARD VERTICAL CAVITY SYSTEM

REV: 10 2019

- V00 : Wall Batten Elevation
- V01 : External Corner on Cavity
- V02 : Internal Corner on Cavity
- V03 : 90° deg Corner Cap
- V04 : Vertical Wall Starter
- V05 : No Soffit Detail on Cavity
- V06 : Soffit Detail on Cavity
- V07 : Timber Floor on Cavity
- V08 : Window Head on Cavity
- V09 : Window Jam on Cavity
- V10 : Window Sill on Cavity
- V11 : Sill-Jamb on Cavity
- V12 : Head flashing / Head Starter / Jamb iso
- V13 : Head - Jamb iso
- V14 : Head - Jamb Notching Details
- V15 : Meter Box Head on Cavity
- V16 : Meter Box Jamb on Cavity
- V17 : Meter Box Sill on Cavity
- V18 : Pipe Penetration on Cavity
- V19 : Roof-Wall Junction on Cavity
- V20 : Gutter Wall Junction on Cavity
- V21 : Parapet on Cavity
- V22 : Deck Junction on Cavity
- V23 : Inter-Storey Junction on Cavity
- V24 : Shadoline Profiles

**ULLTRACLAD**<sup>®</sup>  
ALUMINIUM WEATHERBOARDS

ULLRICH ALUMINIUM CO LTD  
PO Box 98 843 Manukau City Auckland 2241  
1 18 Wiri Station Road Wiri 2104 New Zealand  
TL 09 262 6262 Ext. 814 Mob 021 541 563

[www.ulltracalad.co.nz](http://www.ulltracalad.co.nz)

© ULLRICH ALUMINIUM - All Rights Reserved

**VER**

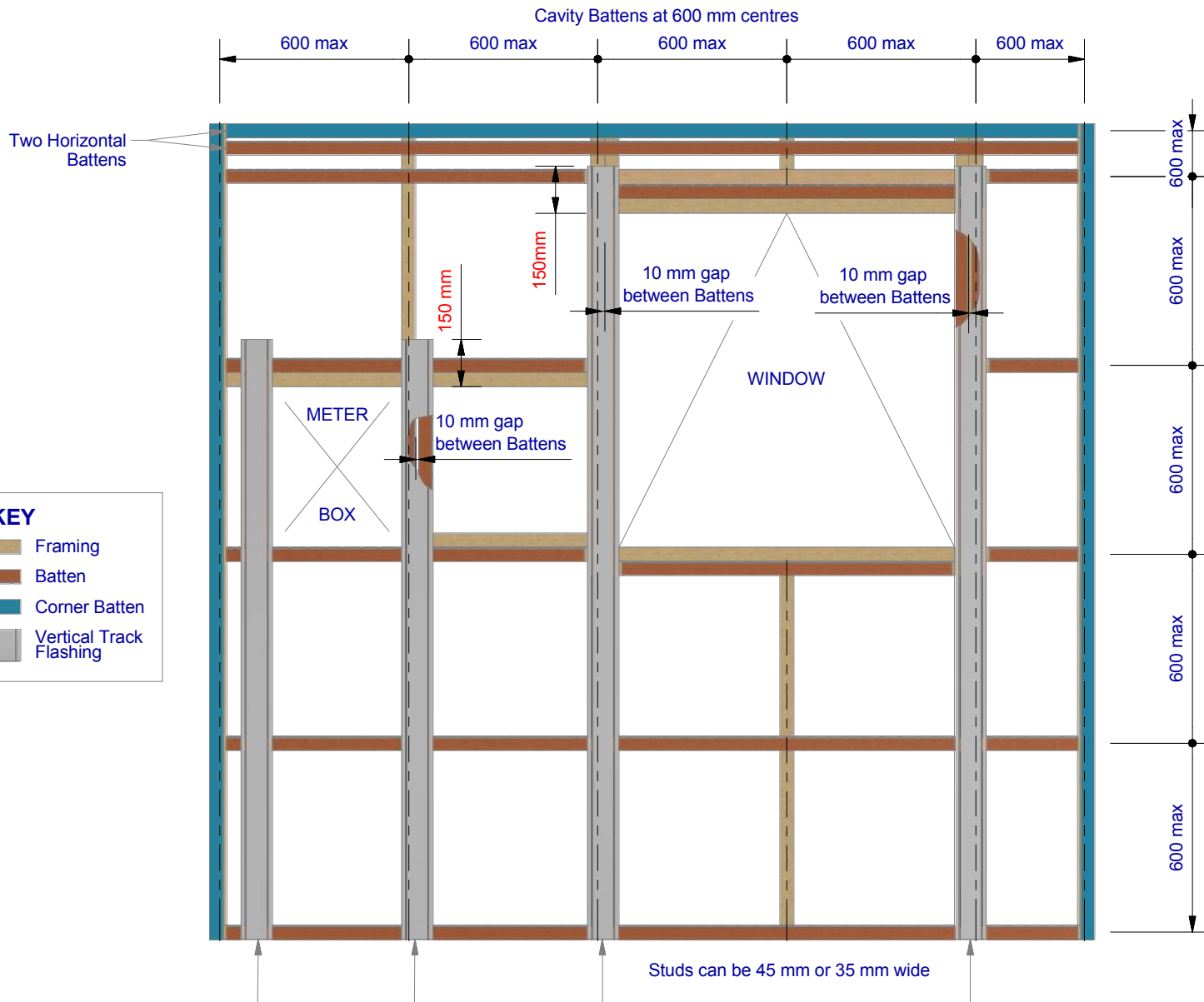
Rev : 10

**UA 6975 SHADOLINE BOARD**

**VERTICAL CAVITY SYSTEM**

Scale: 1 : 1 @ A4 - 2019

Brnz Appraisal #796 2019. (Vertical)



**KEY**

	Framing
	Batten
	Corner Batten
	Vertical Track Flashing

### Batten options

1. Treated timber battens should have castellated profile to permit air passage and minimum 15° slope edge to shed water.

Impervious barrier ( MDPE ) or similar tape between cladding and batten.  
To comply with NZBC E2/AS1 - Table 23.

Note:  
Some machining of battens may be required to avoid "build up".  
i.e. back flashings / tapes

### 2. Cavity plastic Batten

Note:  
packing/shims may be needed to ensure boards are fitted flat without distortion.

\* Additional timber may be required at soffit to support UA 5831 Soffit Base.

### Note: Important

Underlay strips to isolate aluminium from treated timber battens 50 mm wide medium density polyethylene ( MDPE )

To comply with NZBC E2/AS1 - Table 23. Properties of roofing underlays and wall underlays, separates aluminium components and accessories from timber battens treated with copper-based treatments.

Cavity closers required as per NZBC E2/AS1 ( section 9.1.8 )

0.9 x 90mm Aluminium Track Flashing.  
Alternatively use Dynex Dynafash.

Locator Clip UA 4535

Vertical cavity batten (corners only) fixed with 6g x 1.25" CSK Sq S/S pre-drilled screws through batten into dwang / nog

Clearance hole in board larger than screw gauge to allow for thermal expansion

When ripping boards to custom widths use treated timber Packers with isolation strips to replicate leg support

Minimum 5 mm clearance to allow for thermal expansion

Ulltraclad® UA 7094 Female Corner Flashing

Ulltraclad® UA 7095 Male Corner Flashing fixed to timber battens with 30 x 2.5 mm stainless steel clouts at 600 mm vertical centres

Face fix CSK aluminium Rivet through UA 7094 Female Corner Flashing and UA 6975 weatherboard (vertical). Touch up with colour match paint

Note: Underlay strips to isolate aluminium from treated timber battens Refer V00

Locator Clips fixed at Max 600 mm vertical centres with 8g x 2" CSK Sq S/S self tapping screws through batten into dwang / nog

Building underlay continuous around corner

Cavity batten Refer V00 Batten Options

Note: Ensure to alternate spacings of fixings for battens and Locator Clips to avoid risk of splitting batten

Wall frame

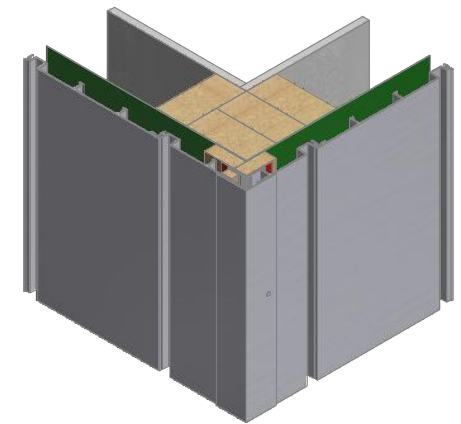
Interior lining

10

10

5 MIN

5 MIN



**ULLTRACLAD®**  
ALUMINIUM WEATHERBOARDS

ULLRICH ALUMINIUM CO LTD  
PO Box 98 843 Manukau City Auckland 2241  
118 Wiri Station Road Wiri 2104 New Zealand  
TL 09 262 6262 Ext. 814 Mob 021 541 563

www.ulltraclad.co.nz

© ULLRICH ALUMINIUM - All Rights Reserved

**V01**

Rev : 10

**External Corner on Cavity**  
**UA 6975 SHADOLINE BOARD**

**VERTICAL CAVITY SYSTEM**

Scale: 1 : 2 @ A4 - 2019

Brnz Appraisal #796 2019. (Vertical)

Ulltraclad® UA 6975 weatherboard (vertical)

Locator Clips fixed at Max 600 mm vertical centres with 8g x 2" CSK Sq S/S self tapping screws through batten into dwang / nog

Ulltraclad® UA 7094 Female Corner Flashing fixed to timber battens with 30 x 2.5 mm stainless steel clouts at 600 mm vertical centres

Face fix CSK aluminium Rivet through UA 7095 Male Corner Flashing and UA 6975 weatherboard (vertical). Touch up with colour match paint

Minimum 5 mm clearance to allow for thermal expansion

Clearance hole in board larger than screw gauge to allow for thermal expansion

Ulltraclad® UA 7095 Male Corner Flashing

When ripping boards to custom widths use treated timber packers with isolation strips to replicate leg support

Interior lining

Cavity batten  
Refer V00 Batten Options

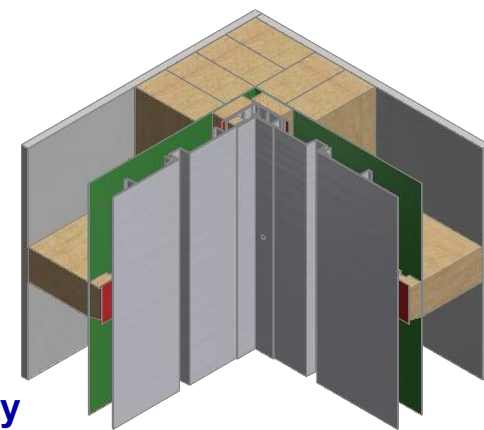
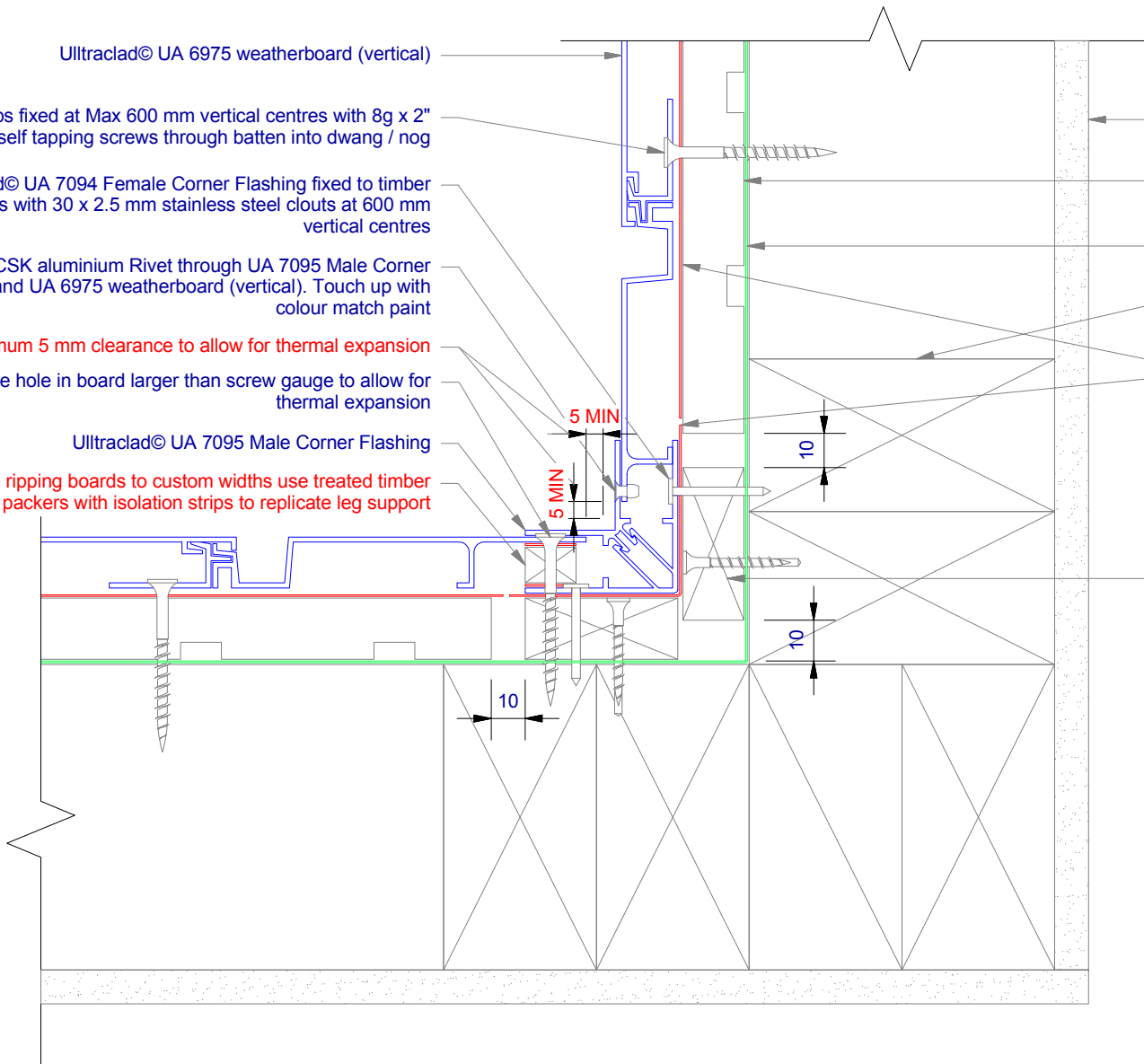
Building underlay continuous around corner

Note: double stud required at internal corners

Note: Underlay strips to isolate aluminium from treated timber battens  
Refer V00

Vertical cavity batten (corners only) fixed with 6g x 1.25" CSK Sq S/S pre-drilled screws through batten into stud

Note: Ensure to alternate spacings of fixings for battens and Locator Clips to avoid risk of splitting batten



**ULLTRACLAD®**  
ALUMINIUM WEATHERBOARDS

ULLRICH ALUMINIUM CO LTD  
PO Box 98 843 Manukau City Auckland 2241  
1 18 Wiri Station Road Wiri 2104 New Zealand  
TL 09 262 6262 Ext. 814 Mob 021 541 563

www.ulltraclad.co.nz

© ULLRICH ALUMINIUM - All Rights Reserved

**V02**

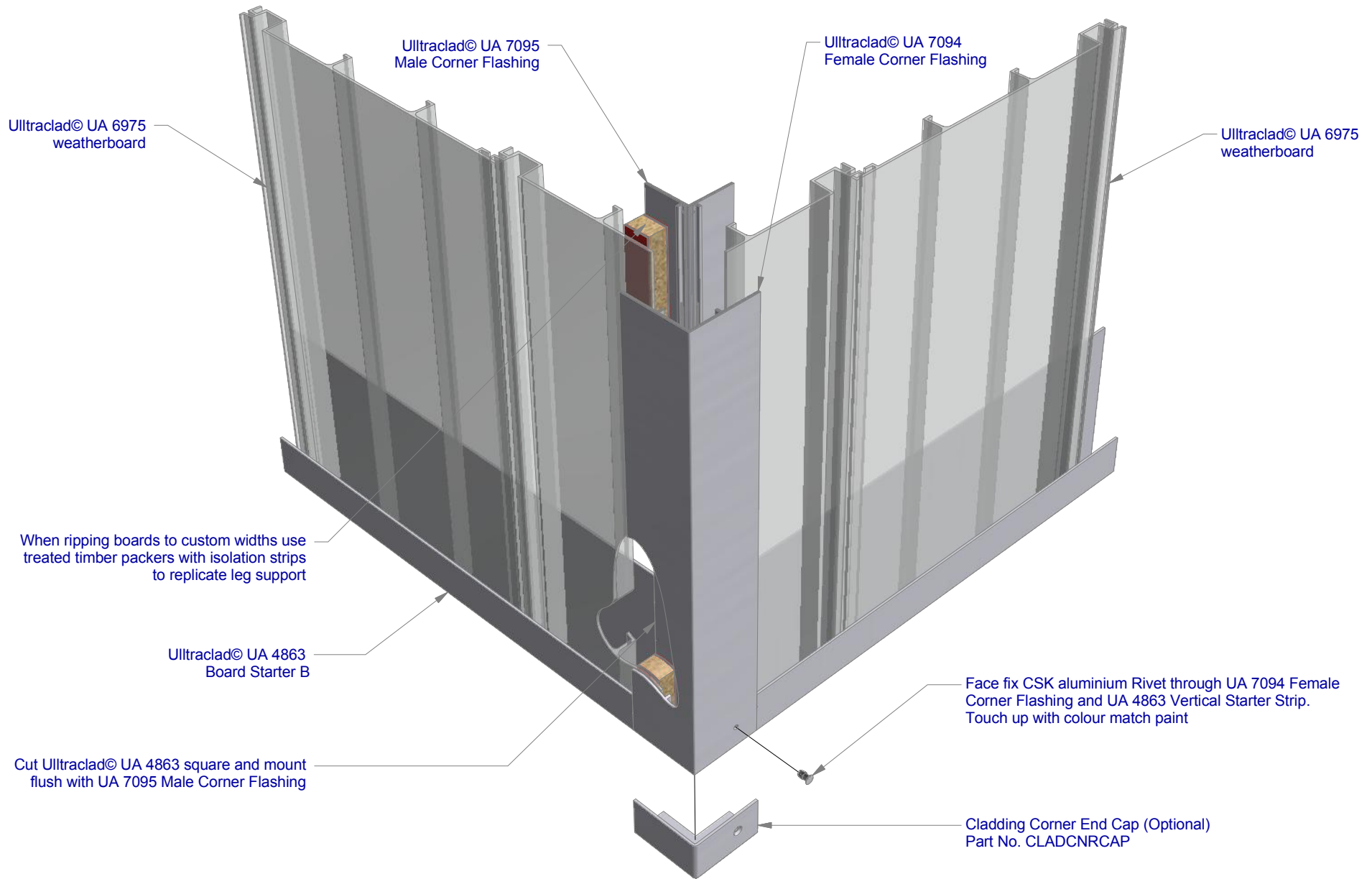
Rev : 10

**Internal Corner on Cavity**  
**UA 6975 SHADOLINE BOARD**

**VERTICAL CAVITY SYSTEM**

Scale: 1 : 2 @ A4 - 2019

Brnz Appraisal #796 2019. (Vertical)



Ulltraclad® UA 6975 weatherboard

Ulltraclad® UA 7095 Male Corner Flashing

Ulltraclad® UA 7094 Female Corner Flashing

Ulltraclad® UA 6975 weatherboard

When ripping boards to custom widths use treated timber packers with isolation strips to replicate leg support

Ulltraclad® UA 4863 Board Starter B

Cut Ulltraclad® UA 4863 square and mount flush with UA 7095 Male Corner Flashing

Face fix CSK aluminium Rivet through UA 7094 Female Corner Flashing and UA 4863 Vertical Starter Strip. Touch up with colour match paint

Cladding Corner End Cap (Optional) Part No. CLADCNRCAP

**ULLTRACLAD®**  
ALUMINIUM WEATHERBOARDS

ULLRICH ALUMINIUM CO LTD  
PO Box 98 843 Manukau City Auckland 2241  
118 Wiri Station Road Wiri 2104 New Zealand  
TL 09 262 6262 Ext. 814 Mob 021 541 563  
www.ulltraclad.co.nz  
© ULLRICH ALUMINIUM - All Rights Reserved

**V03**  
Rev : 10

**90° deg Corner Cap**  
**UA 6975 SHADOLINE BOARD**

**VERTICAL CAVITY SYSTEM**  
Scale: 1 : 3 @ A4 - 2019

Brnz Appraisal #796 2019. (Vertical)

Ulltraclad® UA 6975 weatherboards (vertical) fixed with Locator Clips fixed at Max 600 mm vertical centres with 8g x 2" CSK Sq S/S self tapping screws through batten into dwang / nog

Note: Underlay strips to isolate aluminium from treated timber battens Refer V00

Cavity batten Refer V00 Batten Options

Ulltraclad® UA 4863 Vertical Starter Strip fixed to bottom plate at 300 mm centres with 8g x 2" CSK Sq S/S self tapping screws

Ulltraclad® Cavity Vent Strip Alternatively use PVC type

Ulltraclad® UA 4863 Board Starter B with 5 mm diameter drainage holes drilled through base of Starter at 300 mm centres

Note: 100 mm minimum to permanent paving or 175 mm to unpaved ground to clause 9.1.3 of E2/AS1

Concrete slab or Blockwork

Finished ground level

Building underlay

Interior lining

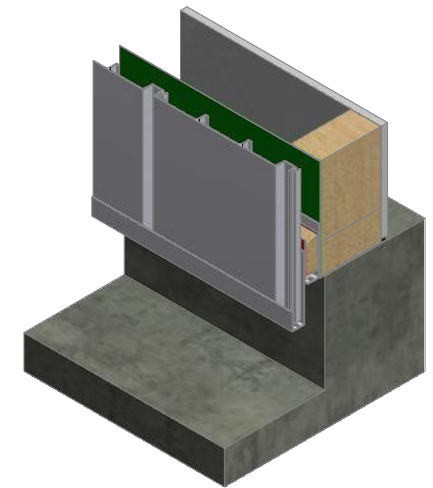
Bottom plate over DPC

Note: Ensure to alternate spacings of fixings for battens and Locator Clips to avoid risk of splitting batten

6 mm overhang (optional)

50

100



**ULLTRACLAD®**  
ALUMINIUM WEATHERBOARDS

ULLRICH ALUMINIUM CO LTD  
PO Box 98 843 Manukau City Auckland 2241  
1 18 Wiri Station Road Wiri 2104 New Zealand  
TL 09 262 6262 Ext. 814 Mob 021 541 563

www.ulltraclad.co.nz

© ULLRICH ALUMINIUM - All Rights Reserved

**V04**

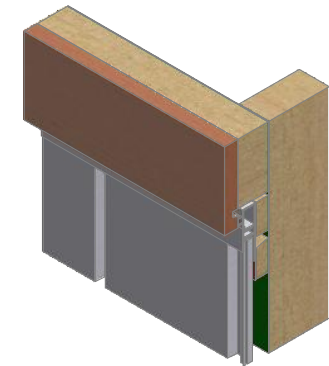
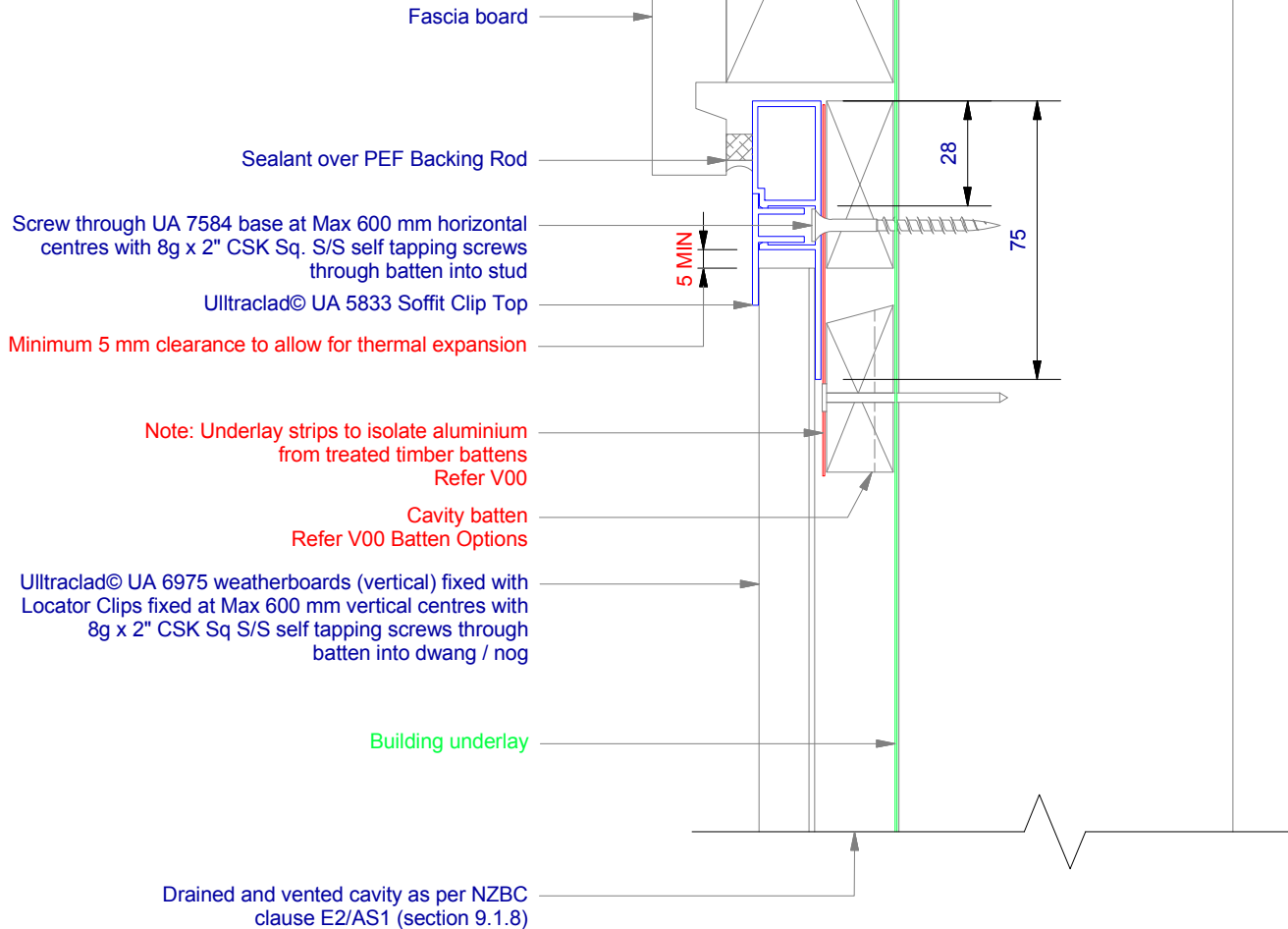
Rev : 10

**Vertical Wall Starter**  
**UA 6975 SHADOLINE BOARD**

**VERTICAL CAVITY SYSTEM**  
Scale: 1 : 2 @ A4 - 2019

Brnz Appraisal #796 2019. (Vertical)

Note: Ensure to alternate spacings of fixings for battens and Locator Clips to avoid risk of splitting batten



**ULLTRACLAD**<sup>®</sup>  
ALUMINIUM WEATHERBOARDS

ULLRICH ALUMINIUM CO LTD  
PO Box 98 843 Manukau City Auckland 2241  
1 18 Wiri Station Road Wiri 2104 New Zealand  
TL 09 262 6262 Ext. 814 Mob 021 541 563

www.ulltraclad.co.nz

© ULLRICH ALUMINIUM - All Rights Reserved

**V05**

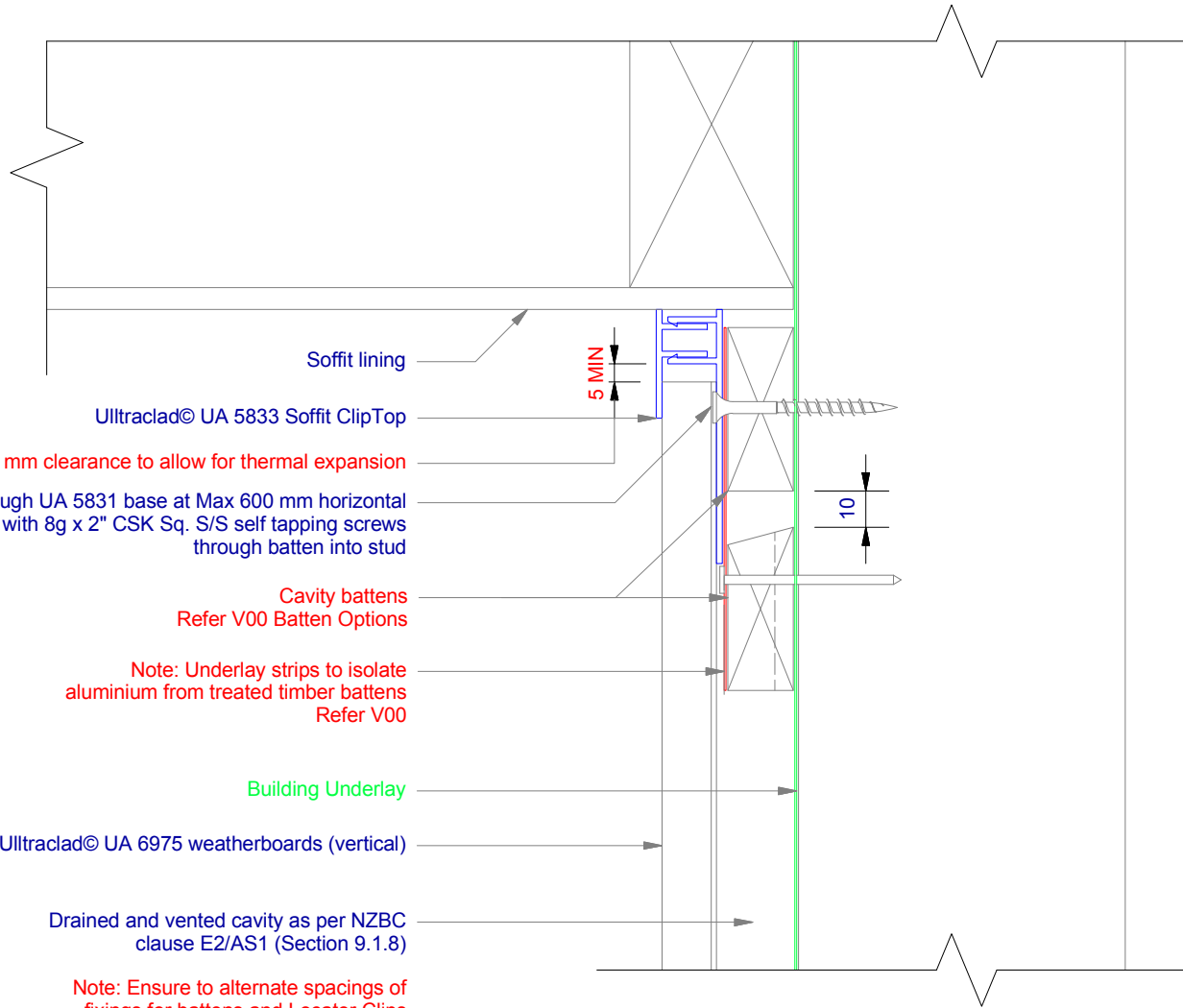
Rev : 10

**No Soffit Detail on Cavity**  
**UA 6975 SHADOLINE BOARD**

**VERTICAL CAVITY SYSTEM**

Scale: 1 : 2 @ A4 - 2019

Brnz Appraisal #796 2019. (Vertical)



Minimum 5 mm clearance to allow for thermal expansion

Screw through UA 5831 base at Max 600 mm horizontal centres with 8g x 2" CSK Sq. S/S self tapping screws through batten into stud

Cavity battens  
Refer V00 Batten Options

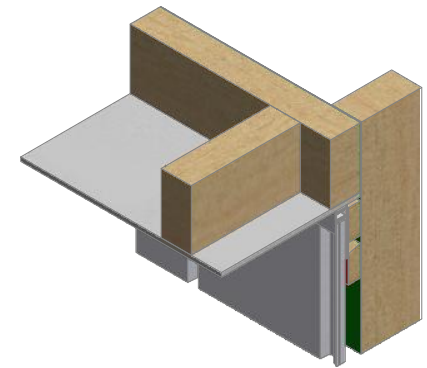
Note: Underlay strips to isolate aluminium from treated timber battens  
Refer V00

Building Underlay

Ulltraclad UA 6975 weatherboards (vertical)

Drained and vented cavity as per NZBC clause E2/AS1 (Section 9.1.8)

Note: Ensure to alternate spacings of fixings for battens and Locator Clips to avoid risk of splitting batten



**ULLTRACLAD**<sup>®</sup>  
ALUMINIUM WEATHERBOARDS

ULLRICH ALUMINIUM CO LTD  
PO Box 98 843 Manukau City Auckland 2241  
118 Wiri Station Road Wiri 2104 New Zealand  
TL 09 262 6262 Ext. 814 Mob 021 541 563

www.ulltraclad.co.nz

© ULLRICH ALUMINIUM - All Rights Reserved

**V06**

Rev : 10

**Soffit Detail on Cavity**  
**UA 6975 SHADOLINE BOARD**

**VERTICAL CAVITY SYSTEM**

Scale: 1 : 2 @ A4 - 2019

Brnz Appraisal #796 2019. (Vertical)



Ultraclad® UA 6975 weatherboards (vertical) fixed with Locator Clips fixed at Max 600 mm vertical centres with 8g x 2" CSK Sq S/S self tapping screws through batten into dwang / nog

Timber floor structure in accordance with NZS 3604: 2011

Building Underlay

Note: Underlay strips to isolate aluminium from treated timber battens Refer V00

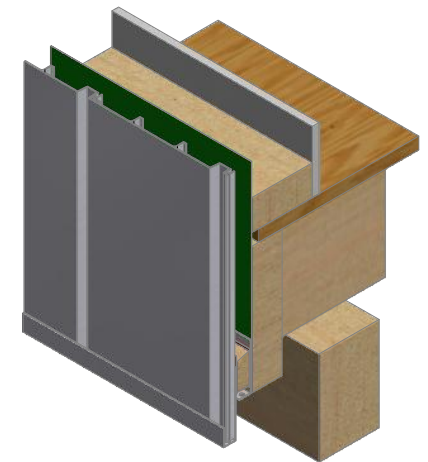
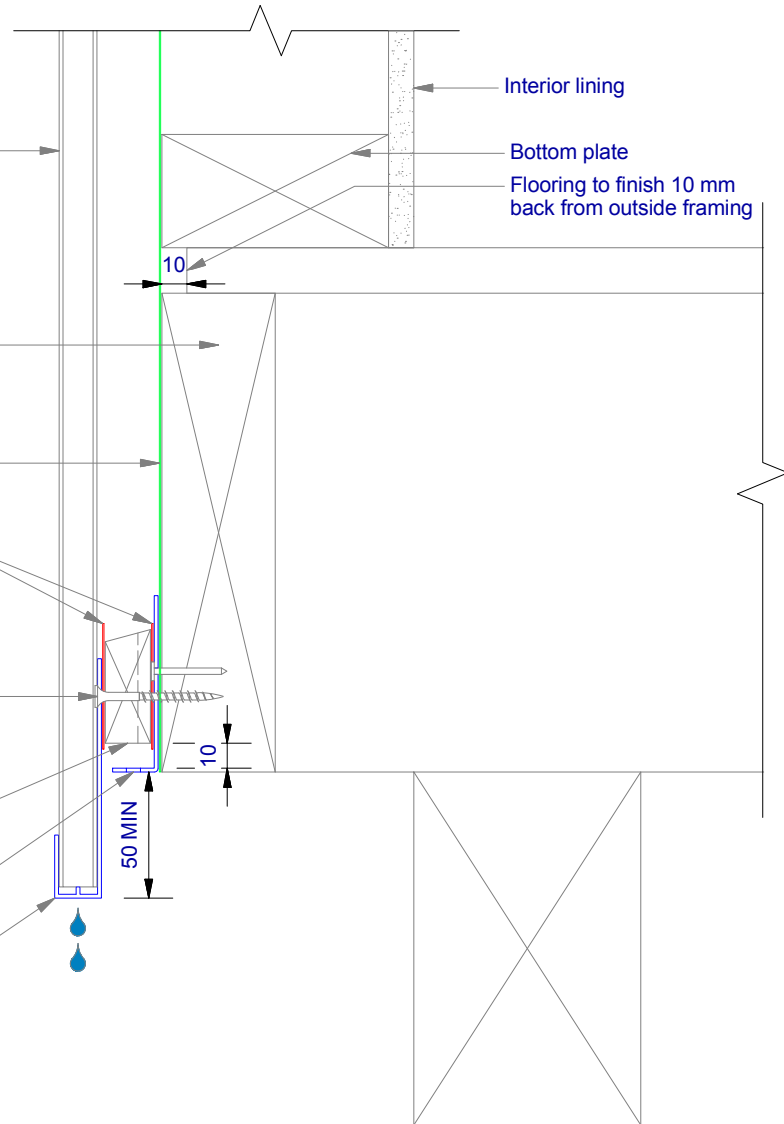
Ultraclad® UA 4863 Vertical Starter Strip fixed to floor joist at 300 mm centres with 8g x 2" CSK Sq. S/S self tapping screws

Cavity batten Refer V00 Batten Options

Ultraclad® Cavity Vent Strip Alternatively use PVC type

Ultraclad® UA 4863 Board Starter B with 5 mm diameter drainage holes drilled through base of Starter at 300 mm centres

Note: Ensure to alternate spacings of fixings for battens and Locator Clips to avoid risk of splitting batten



**ULLTRACLAD®**  
ALUMINIUM WEATHERBOARDS

ULLRICH ALUMINIUM CO LTD  
PO Box 98 843 Manukau City Auckland 2241  
1 18 Wiri Station Road Wiri 2104 New Zealand  
TL 09 262 6262 Ext. 814 Mob 021 541 563

www.ulltraclad.co.nz

© ULLRICH ALUMINIUM - All Rights Reserved

**V07**

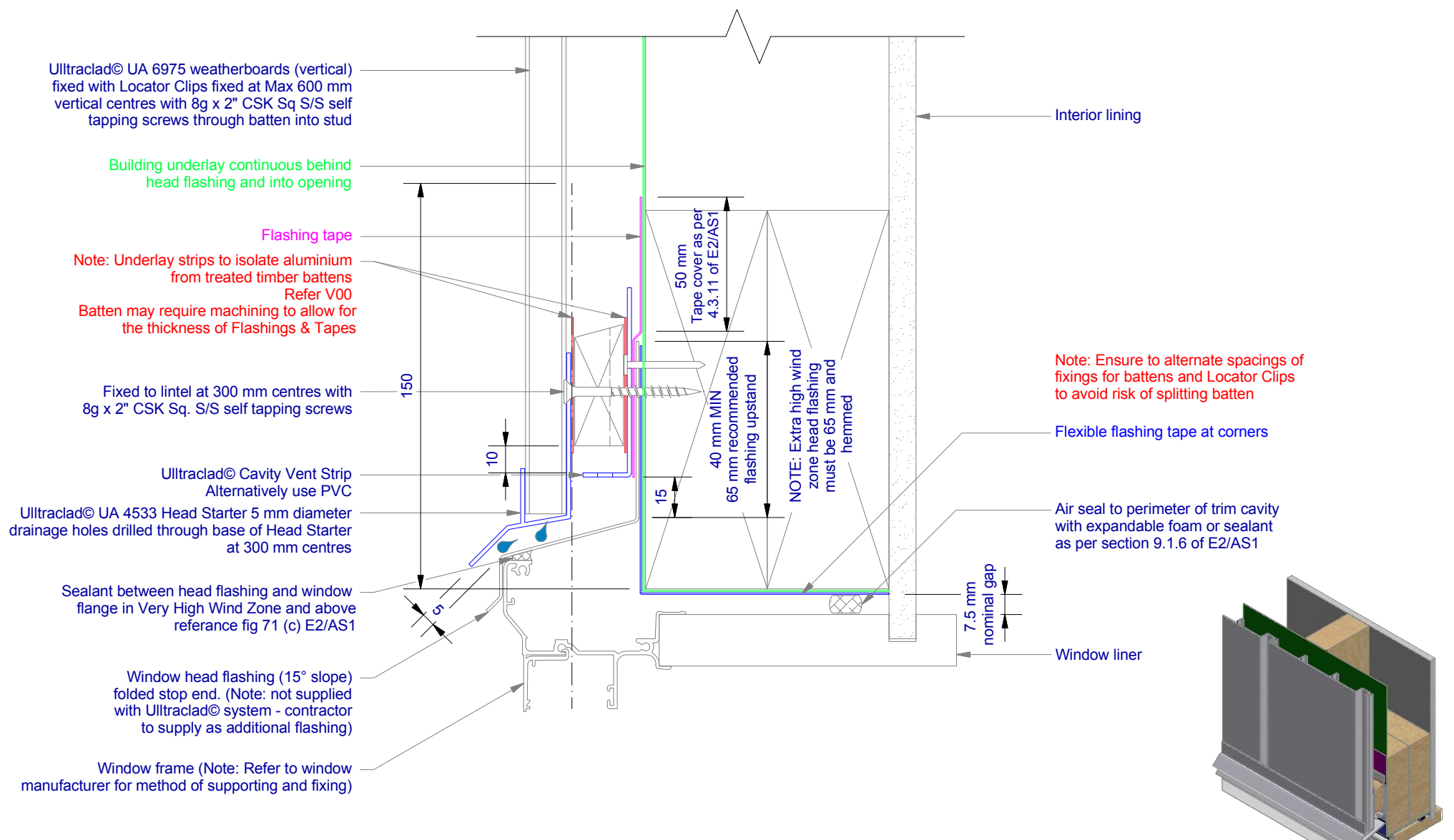
Rev : 10

**Timber Floor on Cavity**  
**UA 6975 SHADOLINE BOARD**

**VERTICAL CAVITY SYSTEM**

Scale: 1 : 3 @ A4 - 2019

Brnz Appraisal #796 2019. (Vertical)



Ulltraclad® UA 6975 weatherboards (vertical) fixed with Locator Clips fixed at Max 600 mm vertical centres with 8g x 2" CSK Sq S/S self tapping screws through batten into stud

Building underlay continuous behind head flashing and into opening

Flashing tape

Note: Underlay strips to isolate aluminium from treated timber battens Refer V00

Batten may require machining to allow for the thickness of Flashings & Tapes

Fixed to lintel at 300 mm centres with 8g x 2" CSK Sq. S/S self tapping screws

Ulltraclad® Cavity Vent Strip Alternatively use PVC

Ulltraclad® UA 4533 Head Starter 5 mm diameter drainage holes drilled through base of Head Starter at 300 mm centres

Sealant between head flashing and window flange in Very High Wind Zone and above reference fig 71 (c) E2/AS1

Window head flashing (15° slope) folded stop end. (Note: not supplied with Ulltraclad® system - contractor to supply as additional flashing)

Window frame (Note: Refer to window manufacturer for method of supporting and fixing)

Interior lining

Flexible flashing tape at corners

Air seal to perimeter of trim cavity with expandable foam or sealant as per section 9.1.6 of E2/AS1

Window liner

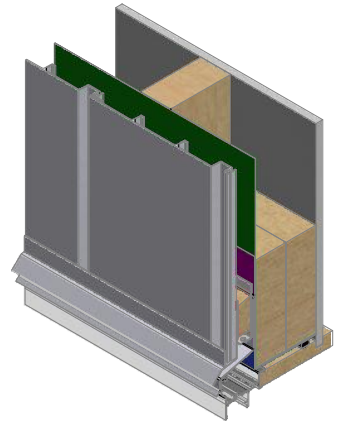
Note: Ensure to alternate spacings of fixings for battens and Locator Clips to avoid risk of splitting batten

NOTE: Extra high wind zone head flashing must be 65 mm and hemmed

50 mm Tape cover as per 4.3.11 of E2/AS1

40 mm MIN recommended flashing upstand

7.5 mm nominal gap



**ULLTRACLAD®**  
ALUMINIUM WEATHERBOARDS

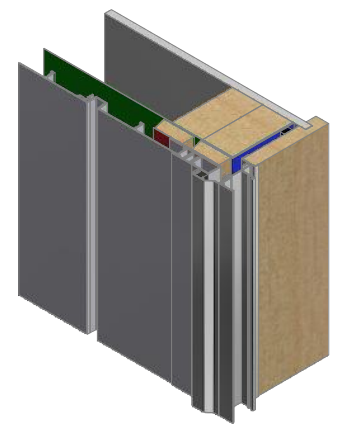
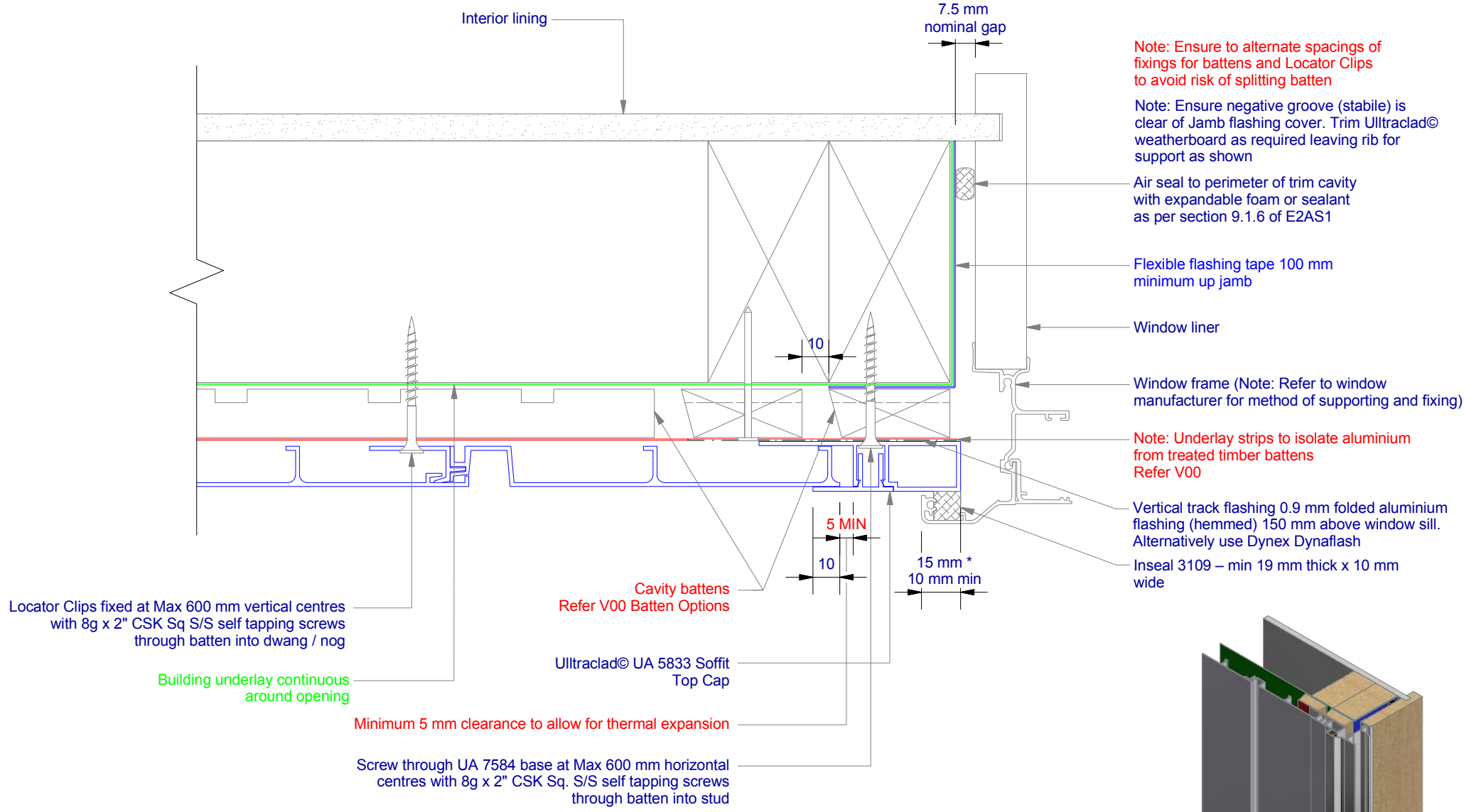
ULLRICH ALUMINIUM CO LTD  
PO Box 98 843 Manukau City Auckland 2241  
1 18 Wiri Station Road Wiri 2104 New Zealand  
TL 09 262 6262 Ext. 814 Mob 021 541 563  
www.ulltraclad.co.nz  
© ULLRICH ALUMINIUM - All Rights Reserved

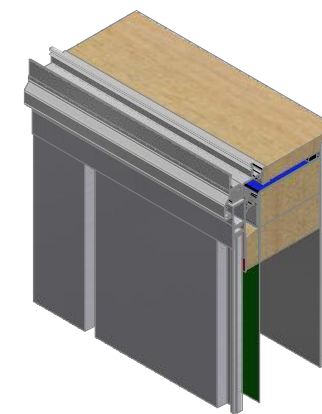
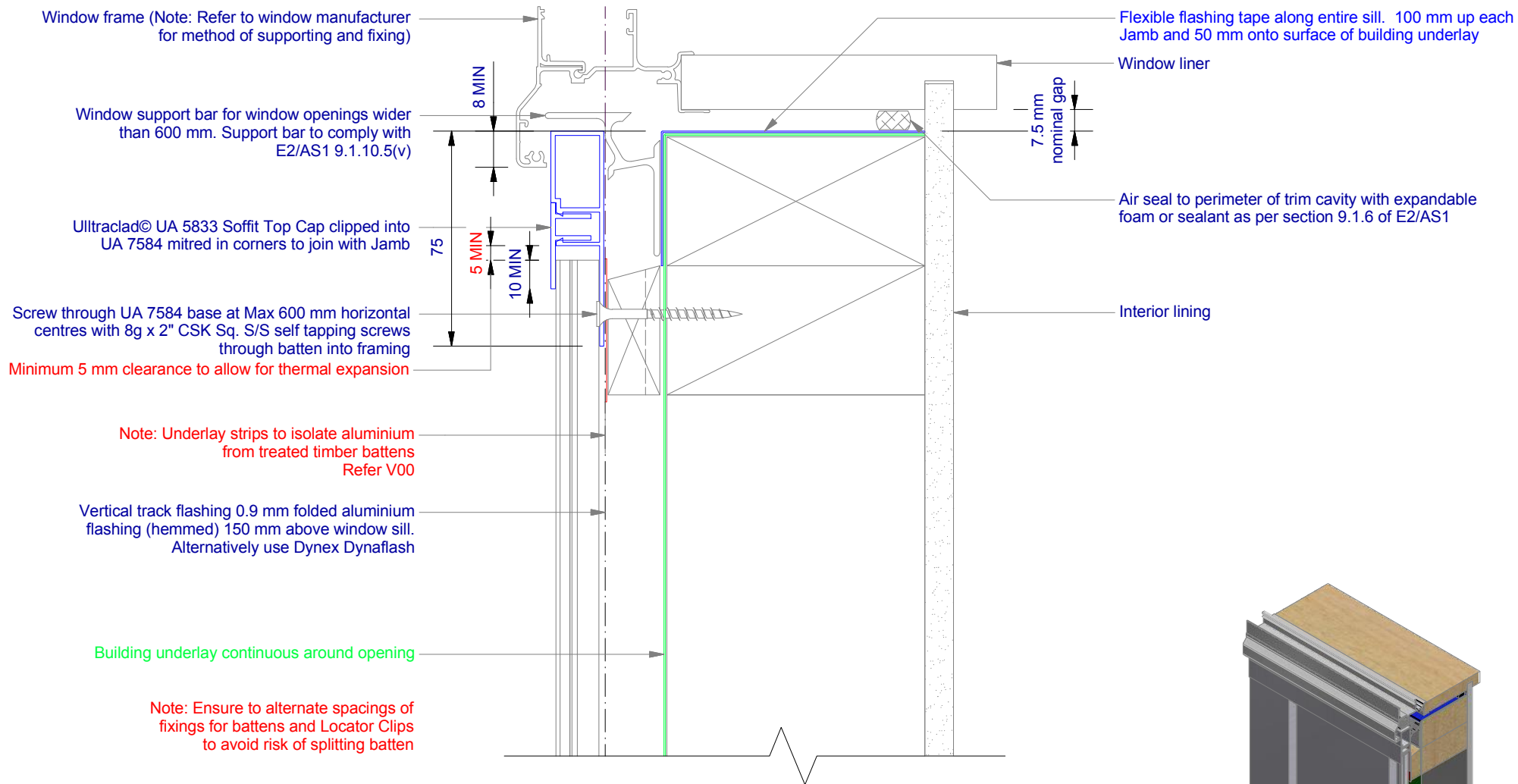
**V08**  
Rev : 10

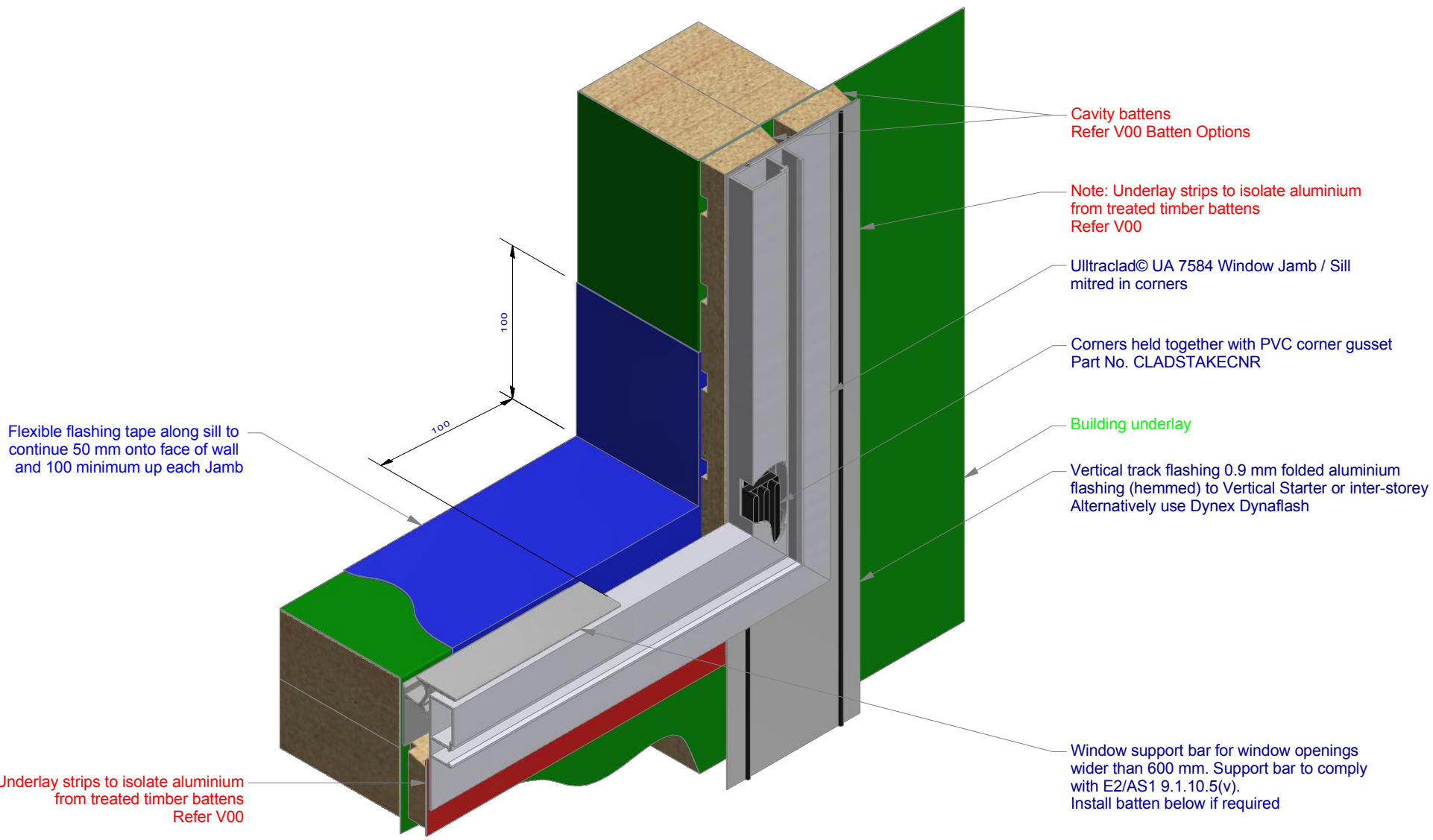
**Window Head on Cavity**  
**UA 6975 SHADOLINE BOARD**

**VERTICAL CAVITY SYSTEM**  
Scale: 1 : 2 @ A4 - 2019

Brnz Appraisal #796 2019. (Vertical)







Cavity battens  
Refer V00 Batten Options

Note: Underlay strips to isolate aluminium from treated timber battens  
Refer V00

Ulltraclad® UA 7584 Window Jamb / Sill  
mitred in corners

Corners held together with PVC corner gusset  
Part No. CLADSTAKECNR

Building underlay

Vertical track flashing 0.9 mm folded aluminium  
flashing (hemmed) to Vertical Starter or inter-storey  
Alternatively use Dynex Dynafash

Window support bar for window openings  
wider than 600 mm. Support bar to comply  
with E2/AS1 9.1.10.5(v).  
Install batten below if required

Flexible flashing tape along sill to  
continue 50 mm onto face of wall  
and 100 minimum up each Jamb

Note: Underlay strips to isolate aluminium  
from treated timber battens  
Refer V00

**ULLTRACLAD®**  
ALUMINIUM WEATHERBOARDS

ULLRICH ALUMINIUM CO LTD  
PO Box 98 843 Manukau City Auckland 2241  
118 Wiri Station Road Wiri 2104 New Zealand  
TL 09 262 6262 Ext. 814 Mob 021 541 563  
www.ulltraclad.co.nz  
© ULLRICH ALUMINIUM - All Rights Reserved

**V11**  
Rev : 10

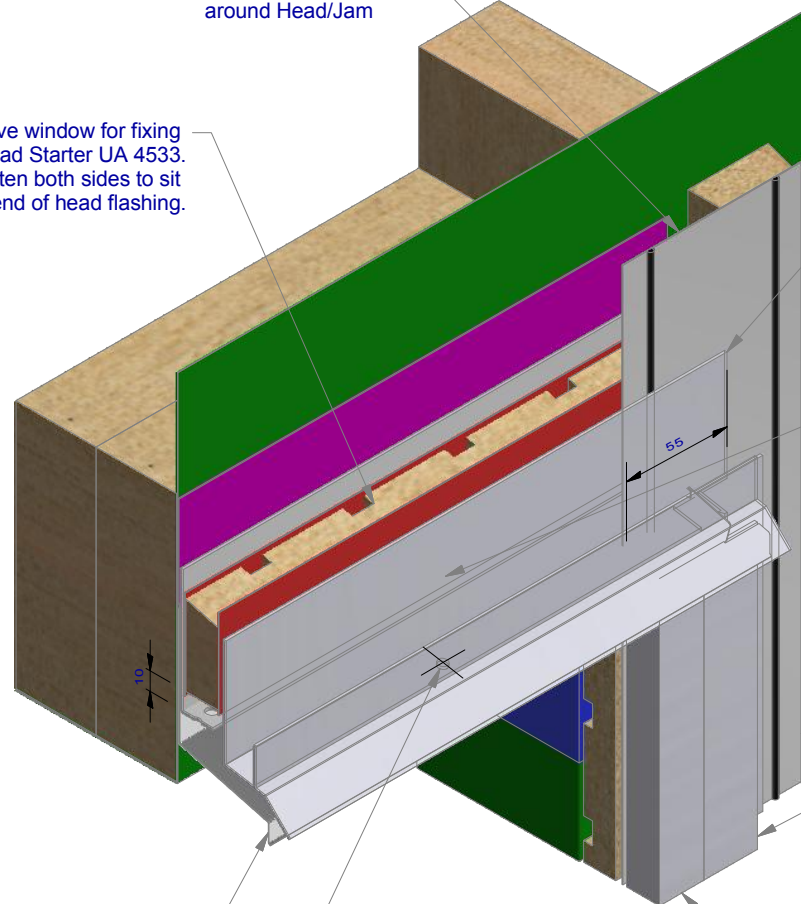
**Sill-Jamb on Cavity**  
**UA 6975 SHADOLINE BOARD**

**VERTICAL CAVITY SYSTEM**  
Scale: 1 : 3 @ A4 - 2019

Brnz Appraisal #796 2019. (Vertical)

Vertical track flashing 0.9 mm folded aluminium flashing (hemmed) to 150 mm above window head. Alternatively use Dynex Dynafash - Trimmed to fit around Head/Jam

Battens above window for fixing window head Starter UA 4533. Outer batten both sides to sit inside stopend of head flashing.



Window Head Flashing (15° slope) folded stop end. (Note: not supplied with Ulltraclad© system - contractor to supply as additional flashing)

Ulltraclad© UA 4533 Head Starter 5 mm diameter drainage holes drilled through base of Head Starter at 300 mm centres

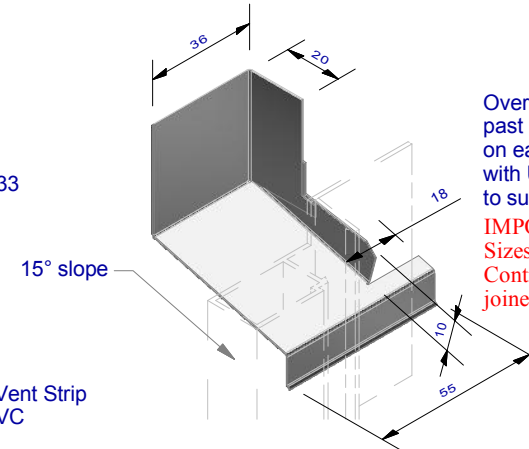
Ulltraclad© UA 4533 Head Starter

Ulltraclad© Cavity Vent Strip Alternatively use PVC

Ulltraclad© UA 5833 Soffit Clip Top

Ulltraclad© UA 7584 Jamb Flashing

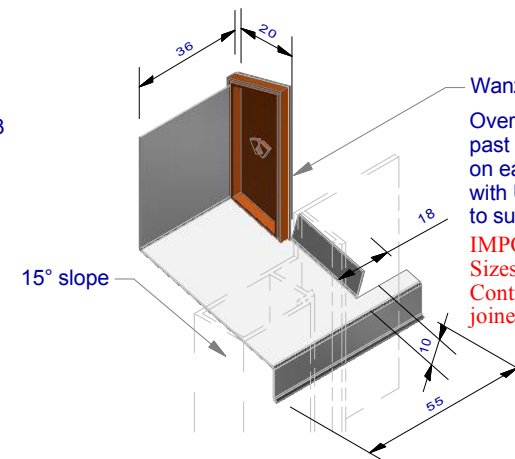
### Window Head Flashing Option 1 Cut & Fold Stop End ( 1 : 2 )



Overall Head Flashing length = +40 mm past edge of window and door joinery on each side. (Note: not supplied with Ulltraclad© system - contractor to supply as additional flashing)

**IMPORTANT:**  
Sizes shown are indicative only!  
Contractor to confirm onsite as joinery suites may vary.

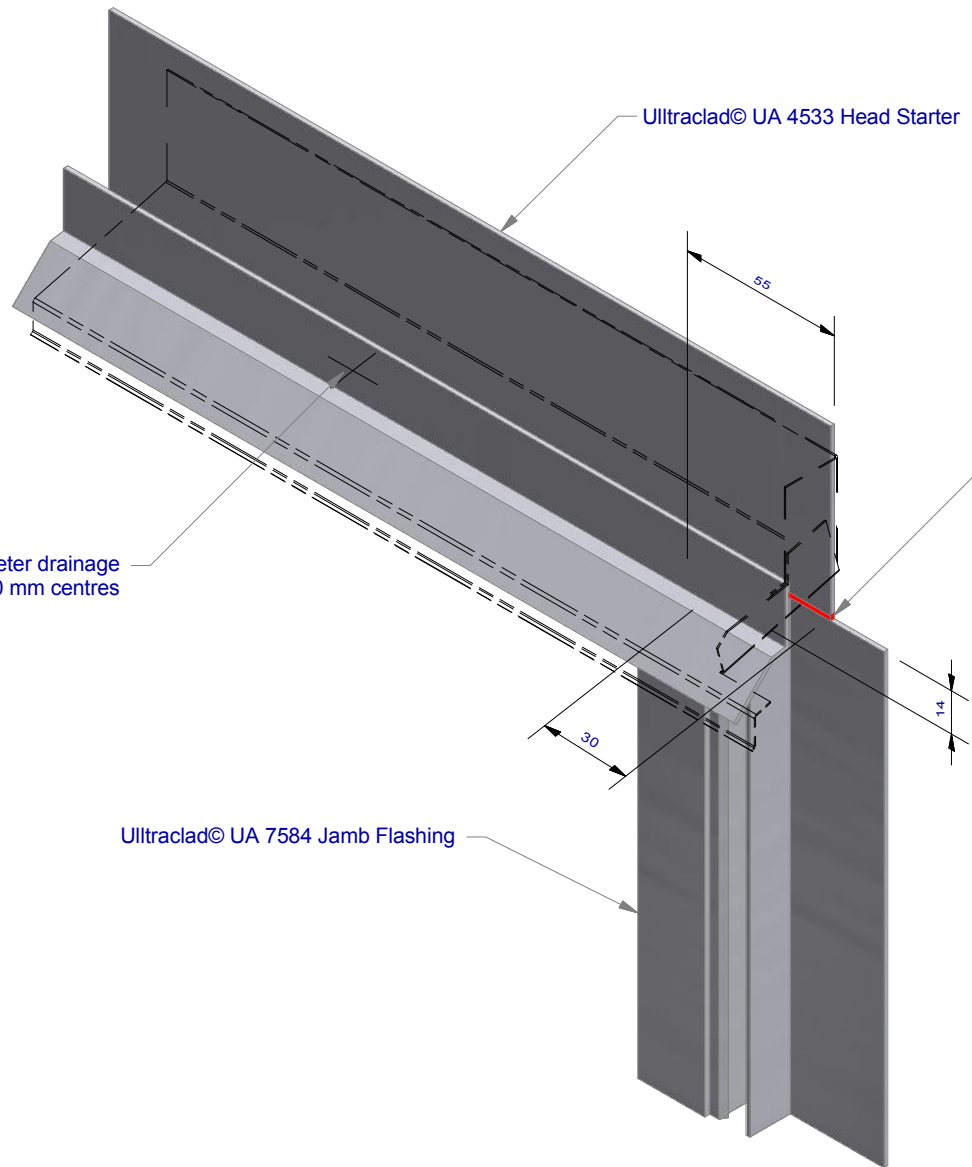
### Window Head Flashing Option 2 Wanz Plastic Stop End Cap ( 1 : 2 )



Wanz Plastic Stop End

Overall Head Flashing length = +40 mm past edge of window and door joinery on each side. (Note: not supplied with Ulltraclad© system - contractor to supply as additional flashing)

**IMPORTANT:**  
Sizes shown are indicative only!  
Contractor to confirm onsite as joinery suites may vary.



Ulltraclad© UA 4533 Head Starter

**IMPORTANT:**  
 Sizes shown are indicative only!  
 Contractor to confirm onsite as  
 joinery suites may vary.

Applying sealant before fitting UA 4533  
 sealant at facade

Note: Ulltraclad© UA 4533 Head Starter to extend  
 40 mm past edge of window or door joinery.  
 Building underlay, flashing tape and UA 5833  
 omitted for clarity

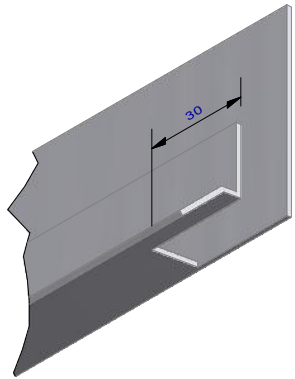
Ulltraclad© UA 4533 Head Starter 5 mm diameter drainage  
 holes drilled through base of Head Starter at 300 mm centres

Ulltraclad© UA 7584 Jamb Flashing

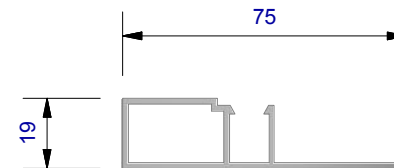
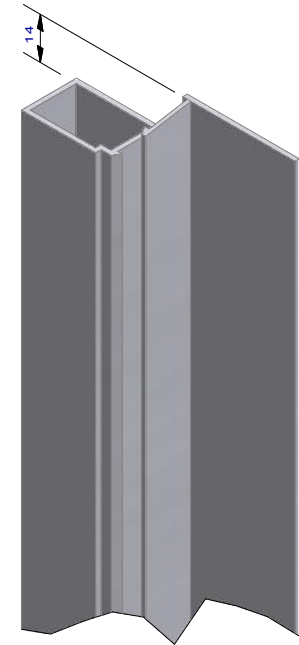
Ultraclad® UA 4533 Head Starter 5 mm diameter drainage holes drilled through base of Head Starter at 300 mm centres



**IMPORTANT:**  
 Sizes shown are indicative only!  
 Contractor to confirm onsite as  
 joinery suites may vary.



Ultraclad® UA 7584  
 Jamb Flashing



**ULLTRACLAD®**  
 ALUMINIUM WEATHERBOARDS

ULLRICH ALUMINIUM CO LTD  
 PO Box 98 843 Manukau City Auckland 2241  
 1 18 Wiri Station Road Wiri 2104 New Zealand  
 TL 09 262 6262 Ext. 814 Mob 021 541 563  
 www.ulltraclad.co.nz  
 © ULLRICH ALUMINIUM - All Rights Reserved

**V14**

Rev : 10

**Head - Jamb Notching Details**  
 UA 6975 SHADOLINE BOARD

**VERTICAL CAVITY SYSTEM**  
 Scale: 1 : 2 @ A4 - 2019

Brnz Appraisal #796 2019. (Vertical)



Ultraclad® UA 6975 weatherboards (vertical) fixed with Locator Clips fixed at Max 600 mm vertical centres with 8g x 2" CSK Sq S/S self tapping screws through batten into dwang / nog

Ultraclad® Cavity Vent Strip  
Alternatively use PVC type

Note: Underlay strips to isolate aluminium from treated timber battens  
Refer V00

Flashing tape

Cavity batten  
Refer V00 Batten Options

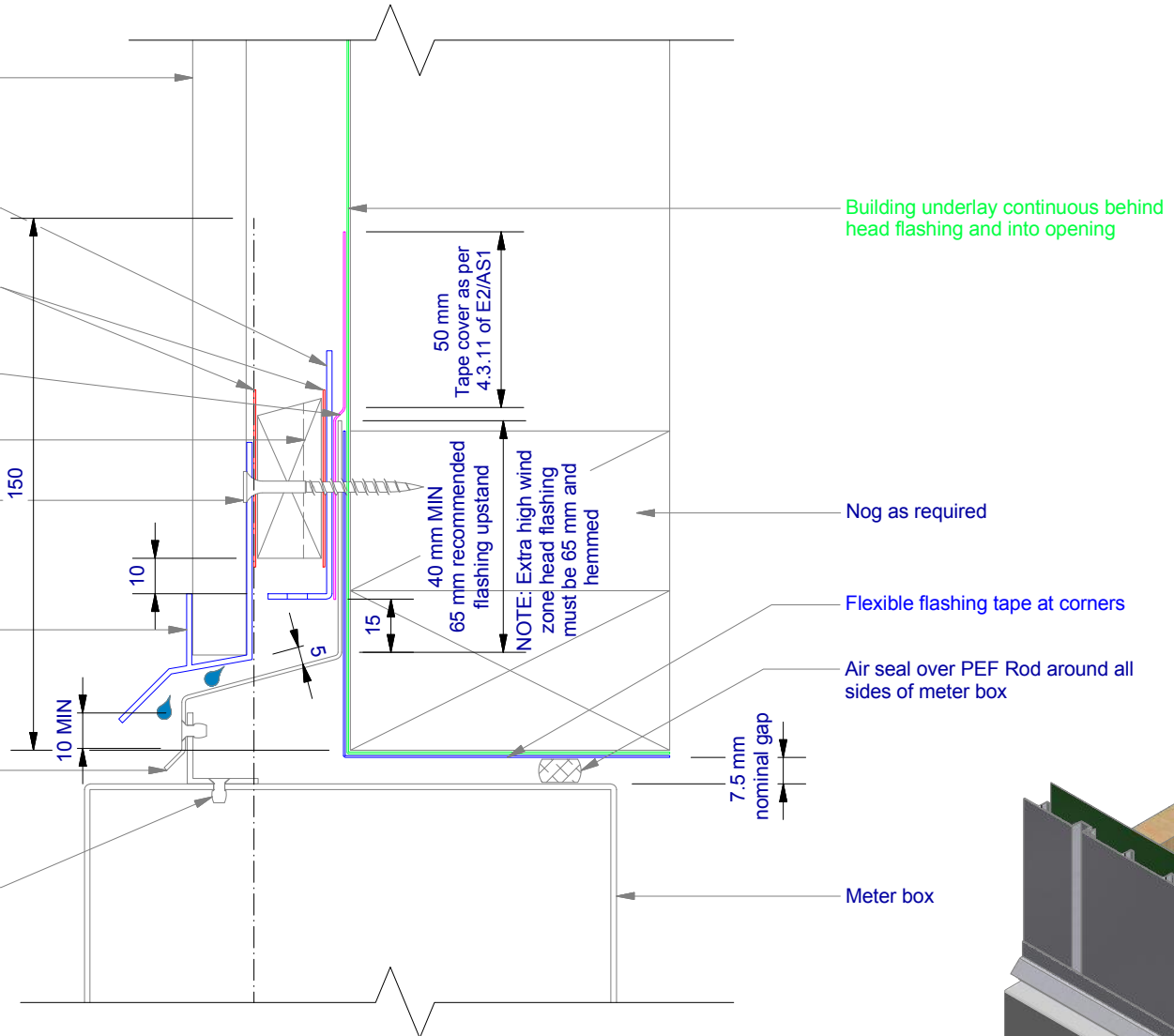
Ultraclad® UA 4863 Vertical Starter Strip fixed to framing at 300 mm centres with 8g x 2" CSK Sq. S/S self tapping screws

Ultraclad® UA 4533 Head Starter 5 mm diameter drainage holes drilled through base of flashing at 300 mm centres

Aluminium flashing 15° slope  
(Note: not supplied with Ultraclad® system - contractor to supply as additional flashing, Stop end etc.)

20mm x 20mm angle sealed and riveted to meter box

Note: Ensure to alternate spacings of fixings for battens and Locator Clips to avoid risk of splitting batten



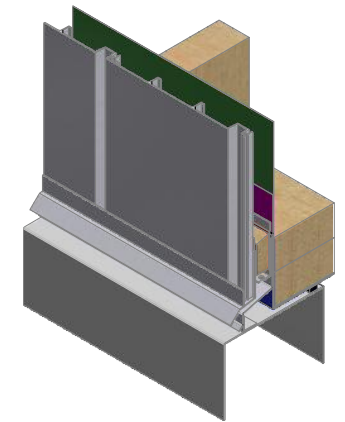
Building underlay continuous behind head flashing and into opening

Nog as required

Flexible flashing tape at corners

Air seal over PEF Rod around all sides of meter box

Meter box



**ULLTRACLAD®**  
ALUMINIUM WEATHERBOARDS

ULLRICH ALUMINIUM CO LTD  
PO Box 98 843 Manukau City Auckland 2241  
1 18 Wiri Station Road Wiri 2104 New Zealand  
TL 09 262 6262 Ext. 814 Mob 021 541 563

www.ulltraclad.co.nz

© ULLRICH ALUMINIUM - All Rights Reserved

**V15**

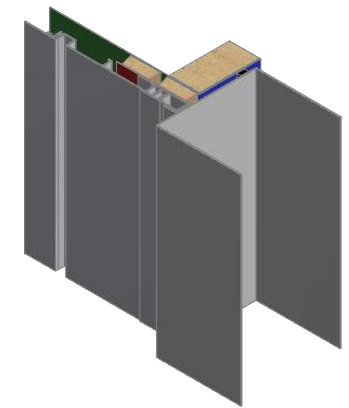
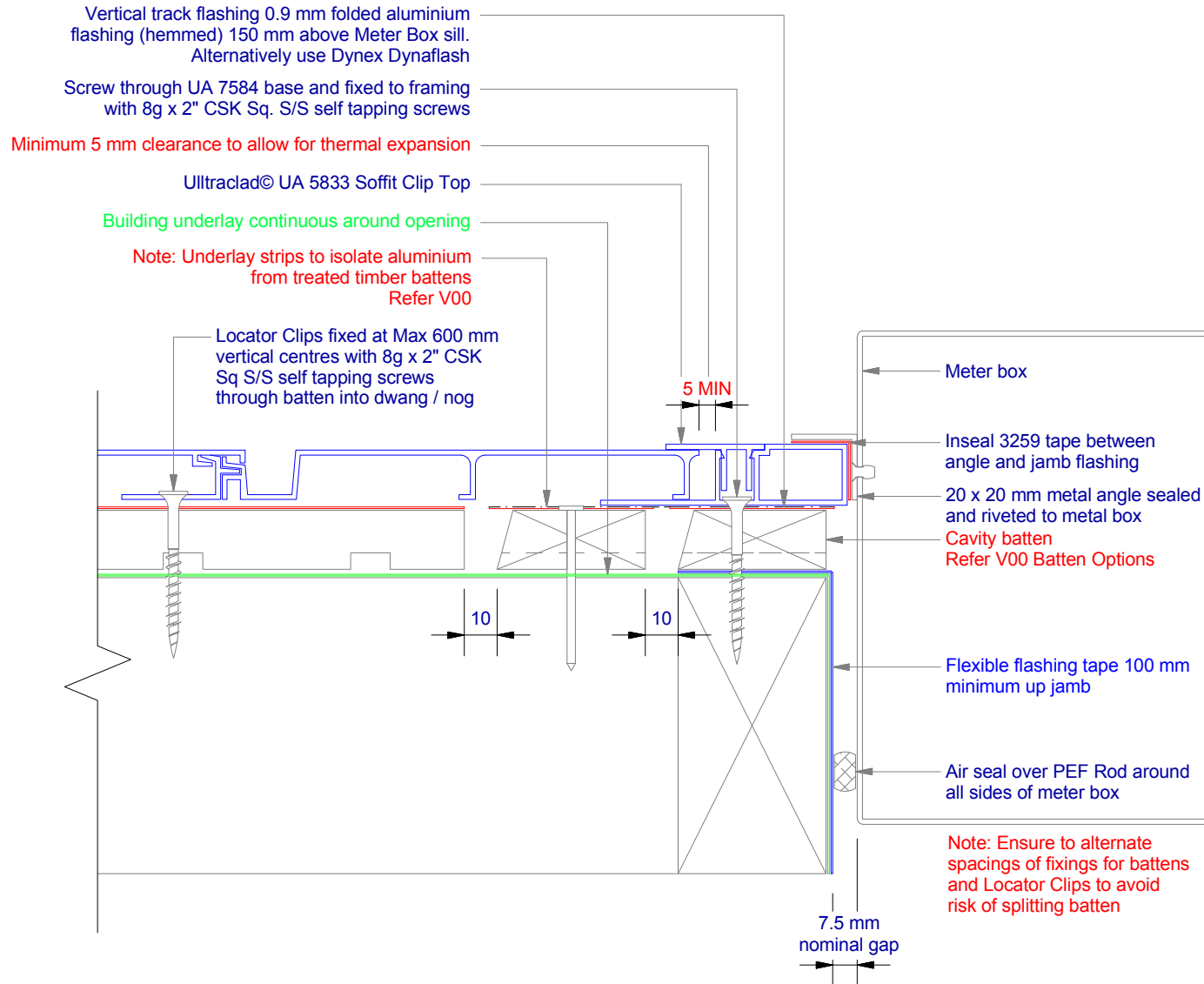
Rev : 10

**Meter Box Head on Cavity**  
UA 6975 SHADOLINE BOARD

**VERTICAL CAVITY SYSTEM**

Scale: 1 : 2 @ A4 - 2019

Brnz Appraisal #796 2019. (Vertical)



**ULLTRACLAD®**  
ALUMINIUM WEATHERBOARDS

ULLRICH ALUMINIUM CO LTD  
PO Box 98 843 Manukau City Auckland 2241  
1 18 Wiri Station Road Wiri 2104 New Zealand  
TL 09 262 6262 Ext. 814 Mob 021 541 563

www.ulltracalad.co.nz

© ULLRICH ALUMINIUM - All Rights Reserved

**V16**

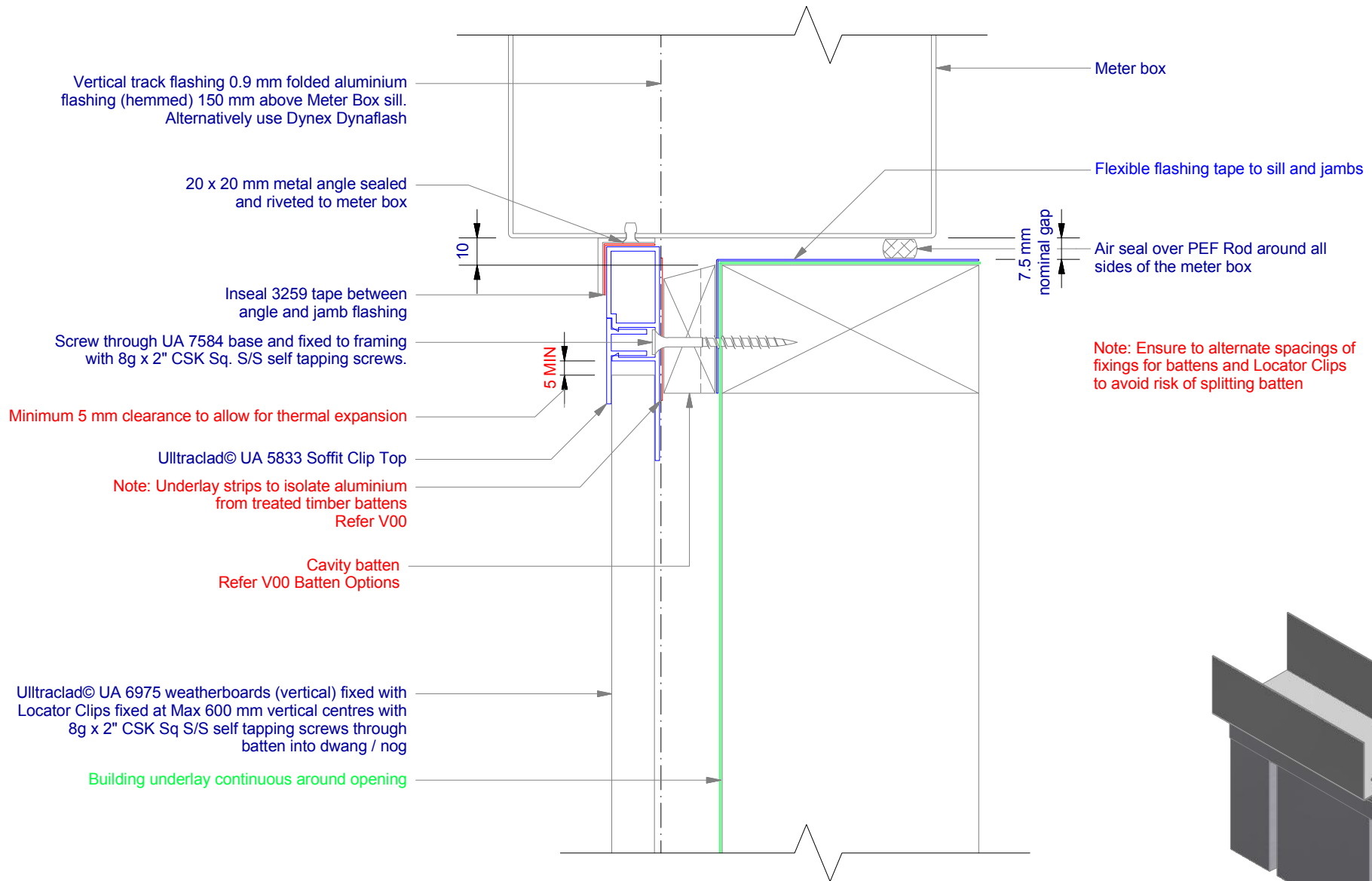
Rev : 10

**Meter Box Jamb on Cavity**  
**UA 6975 SHADOLINE BOARD**

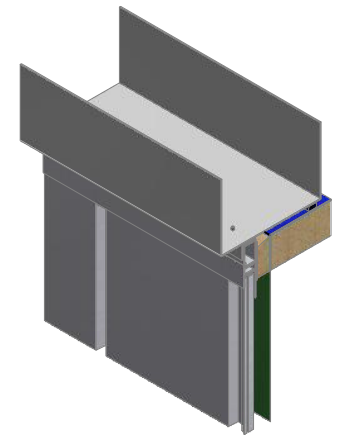
**VERTICAL CAVITY SYSTEM**

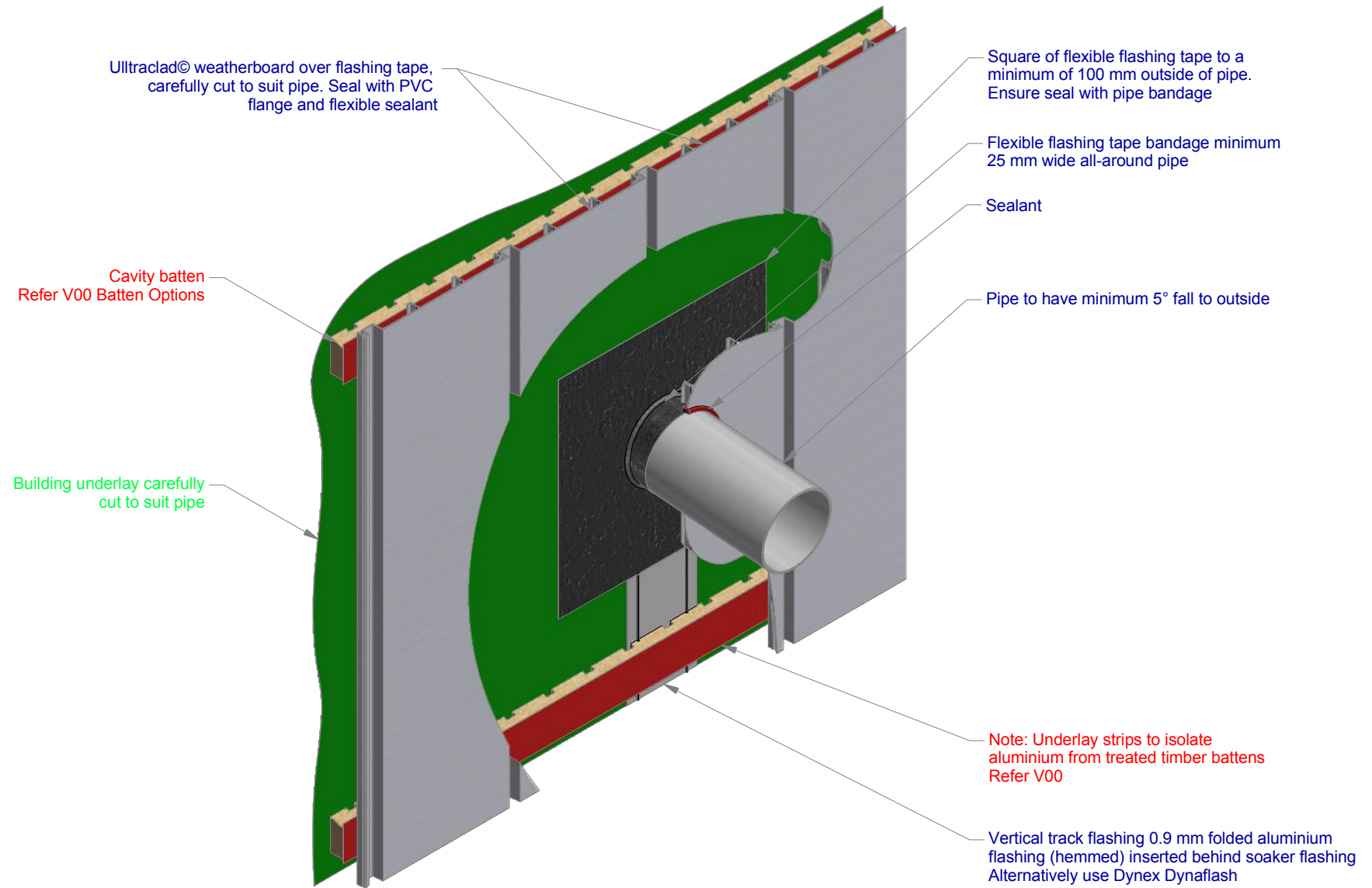
Scale: 1 : 2 @ A4 - 2019

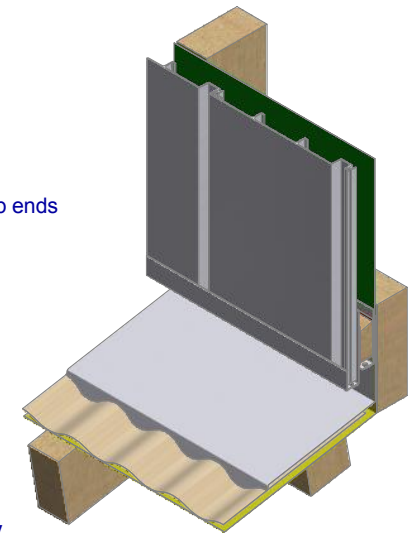
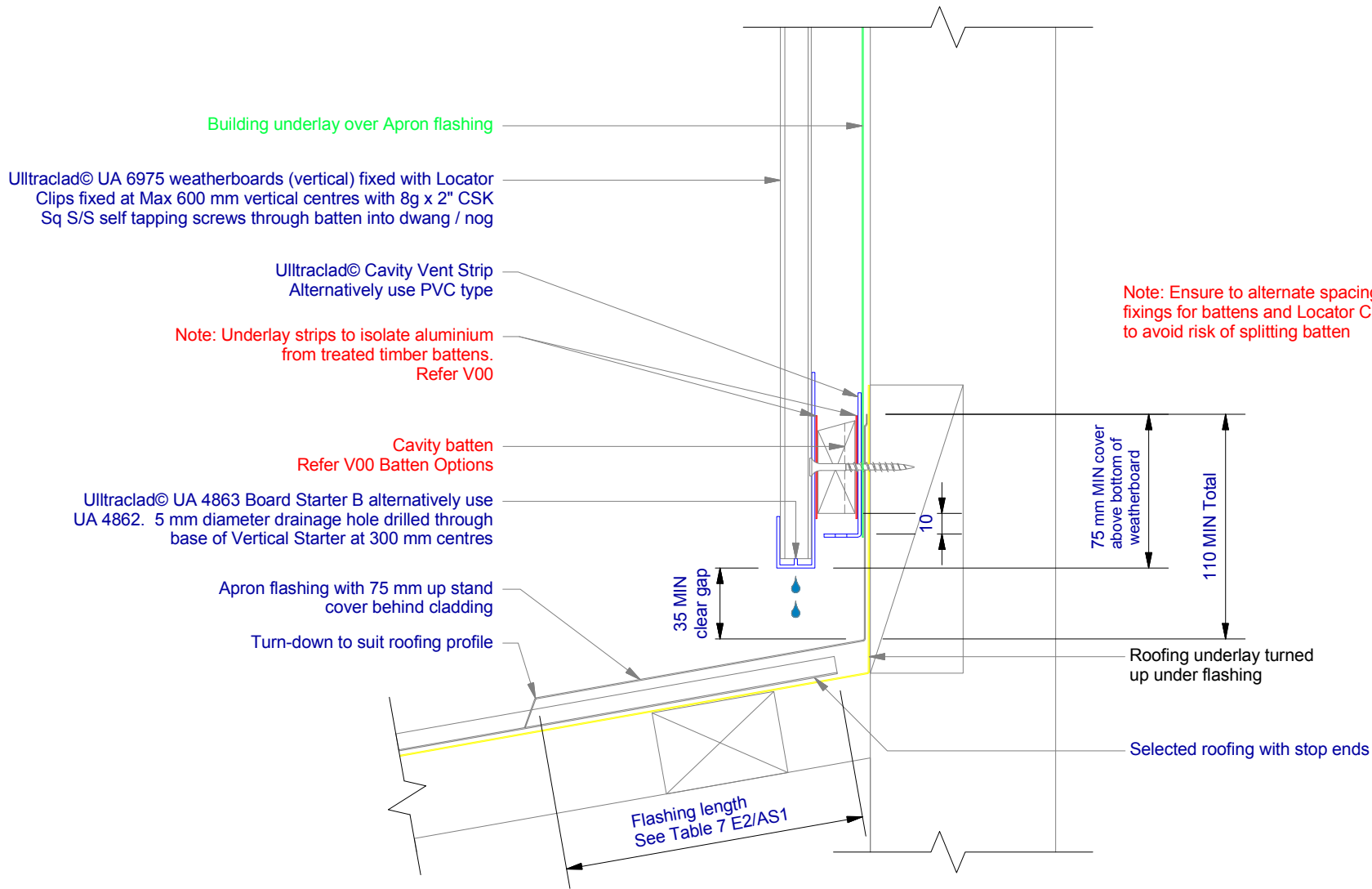
Brnz Appraisal #796 2019. (Vertical)



Note: Ensure to alternate spacings of fixings for battens and Locator Clips to avoid risk of splitting batten







**ULLTRACLAD**<sup>®</sup>  
ALUMINIUM WEATHERBOARDS

ULLRICH ALUMINIUM CO LTD  
PO Box 98 843 Manukau City Auckland 2241  
118 Wiri Station Road Wiri 2104 New Zealand  
TL 09 262 6262 Ext. 814 Mob 021 541 563

www.ulltraclad.co.nz  
© ULLRICH ALUMINIUM - All Rights Reserved

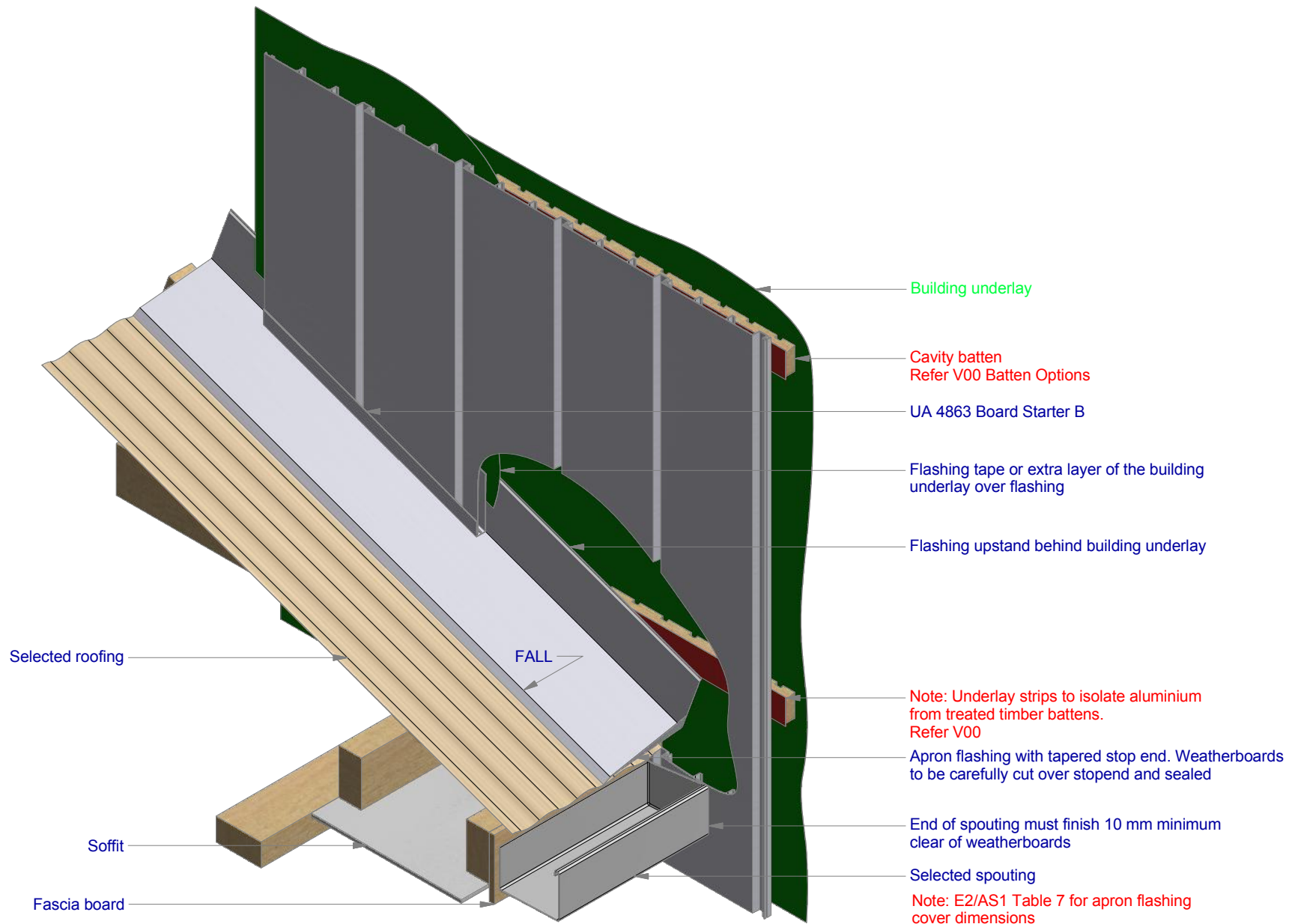
**V19**

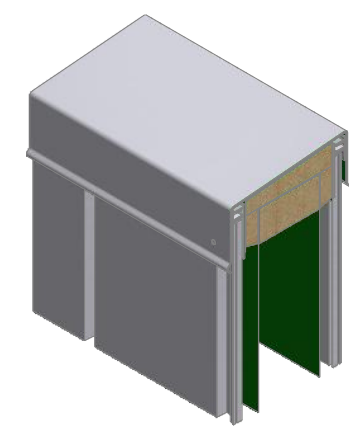
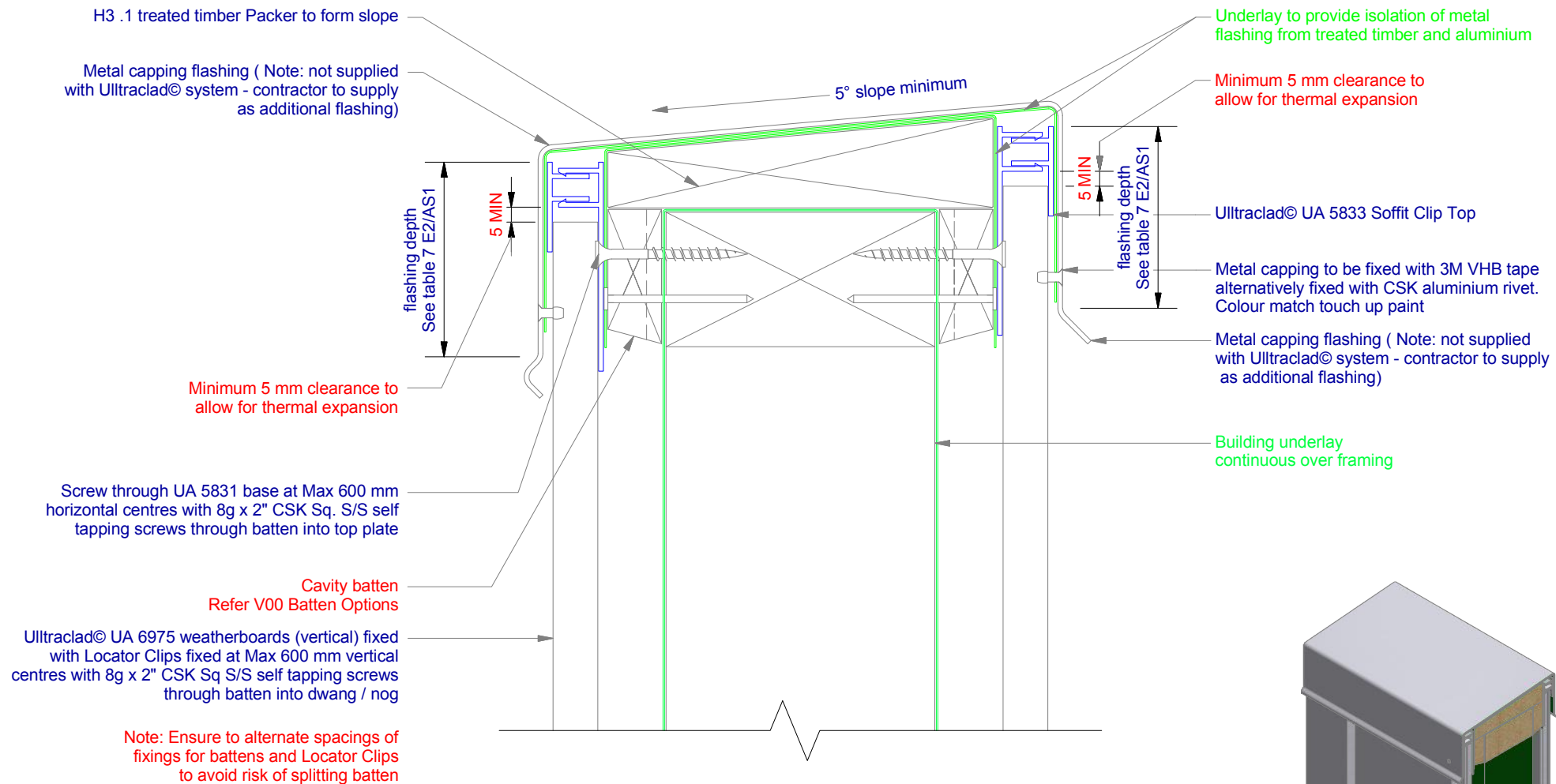
Rev : 10

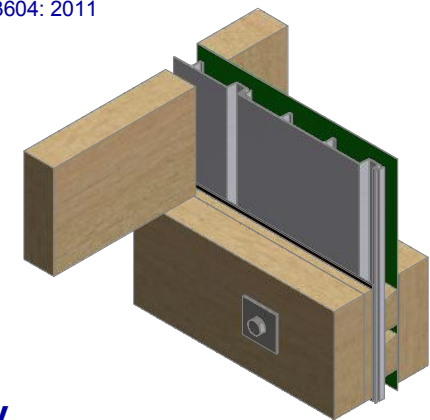
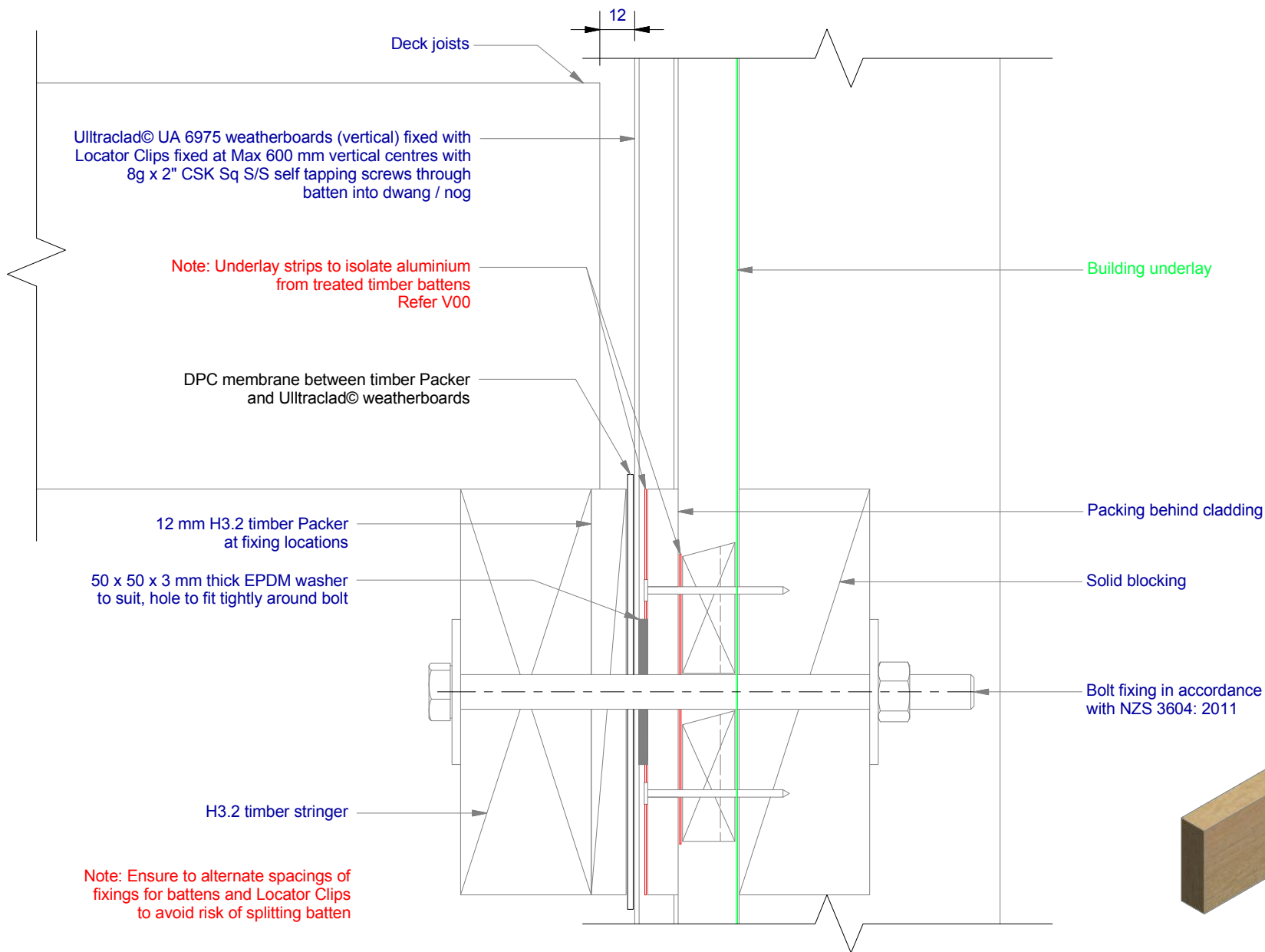
**Roof-Wall Junction on Cavity**  
**UA 6975 SHADOLINE BOARD**

**VERTICAL CAVITY SYSTEM**  
Scale: 1 : 3 @ A4 - 2019

Brnz Appraisal #796 2019. (Vertical)







**ULLTRACLAD**<sup>®</sup>  
ALUMINIUM WEATHERBOARDS

ULLRICH ALUMINIUM CO LTD  
PO Box 98 843 Manukau City Auckland 2241  
1 18 Wiri Station Road Wiri 2104 New Zealand  
TL 09 262 6262 Ext. 814 Mob 021 541 563

www.ulltraclad.co.nz

© ULLRICH ALUMINIUM - All Rights Reserved

**V22**

Rev : 10

**Deck Junction on Cavity**  
**UA 6975 SHADOLINE BOARD**

**VERTICAL CAVITY SYSTEM**

Scale: 1 : 2 @ A4 - 2019

Brnz Appraisal #796 2019. (Vertical)



Note: Ensure to alternate spacings of fixings for battens and Locator Clips to avoid risk of splitting batten

Ultraclad® UA 6975 weatherboards (vertical) fixed with Locator Clips fixed at Max 600 mm vertical centres with 8g x 2" CSK Sq S/S self tapping screws through batten into dwang / nog

Building underlay

Cavity batten  
Refer V00 Batten Options

Flashing tape

Note: Underlay strips to isolate aluminium from treated timber battens  
Refer V00

Ultraclad® UA 4863 Vertical Starter Strip fixed to framing at 300 mm centres with 8g x 2" CSK Sq S/S self tapping screws

Ultraclad® UA 4863 Board Starter B with 5 mm diameter drainage holes drilled through base of Starter at 300 mm centres

Ultraclad® UA 7919 Inter-Storey Flashing

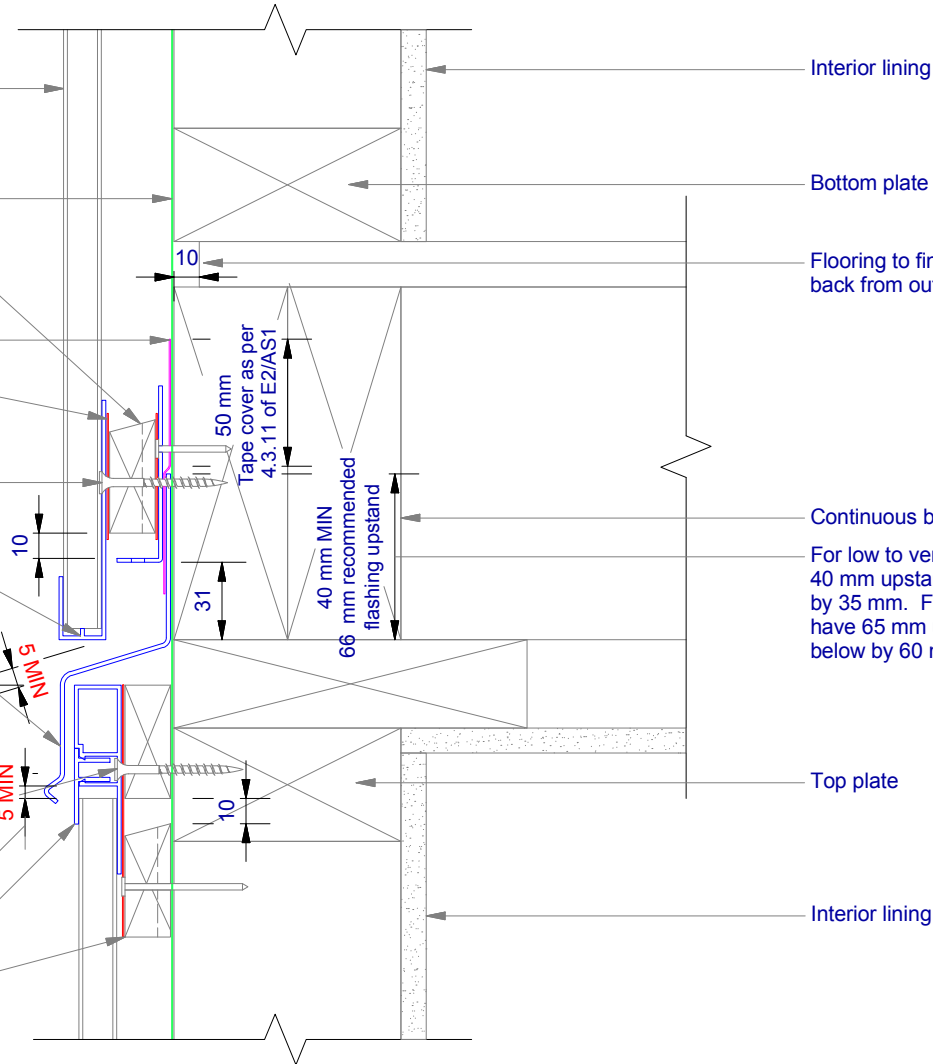
Screw through UA 7584 base at Max 600 mm horizontal centres with 8g x 2" CSK Sq. S/S self tapping screws through batten into frame

Minimum 5 mm clearance to allow for thermal expansion

Ultraclad® UA 5833 Soffit Clip Top

Cavity batten  
Refer V00 Batten Options

Note: this detail is required to limit cavities to 2 storeys or 7 m Max - Refer E2/AS1 clause 9.1.9.4



Interior lining

Bottom plate

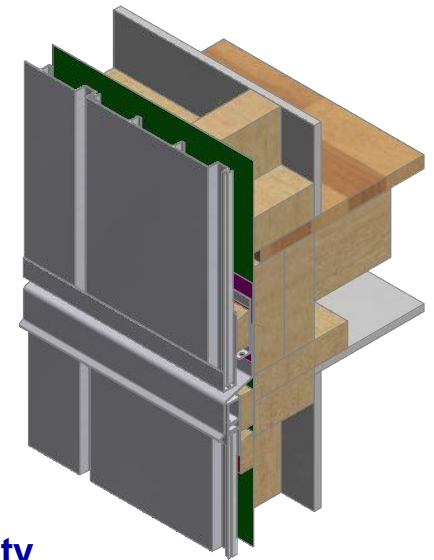
Flooring to finish 10 mm back from outside framing

Continuous boundary joists

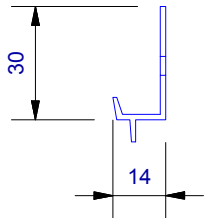
For low to very-high wind zones the 'Z' flashing must have a 40 mm upstand and overlap the weatherboard face below by 35 mm. For extra-high wind zones the 'Z' flashing must have 65 mm upstand and overlap the weatherboard face below by 60 mm

Top plate

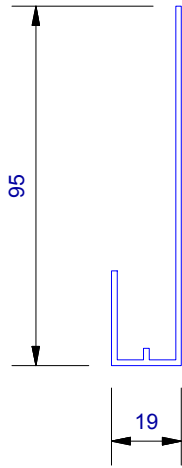
Interior lining



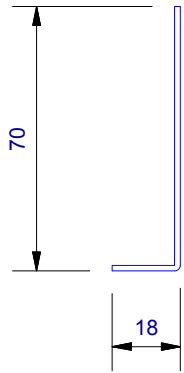
UA 4535  
Locator Clip



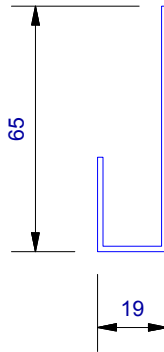
UA 4863  
Board Starter B



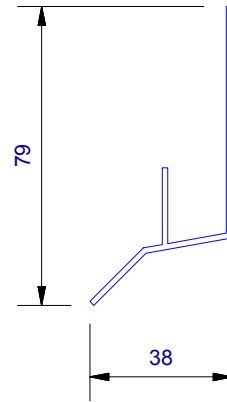
Cavity Vent Strip



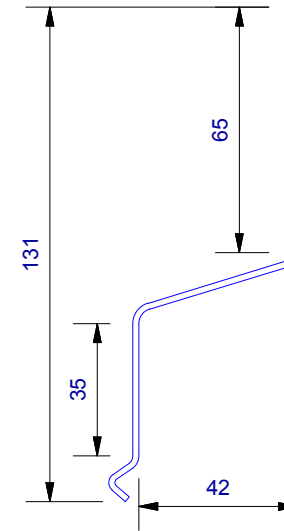
UA 4532  
J Moulding



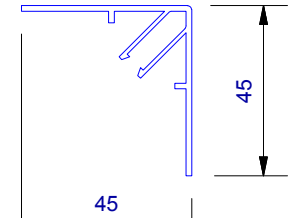
UA 4533  
Head Starter



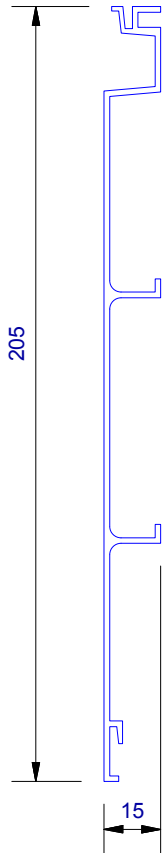
UA 7919  
Inter - Storey Flashing



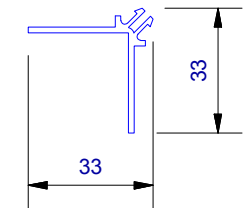
UA 7094  
Female Flat Corner



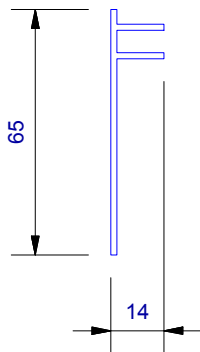
UA 6975  
Shadoline board



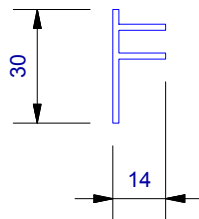
UA 7095  
Male Flat Corner



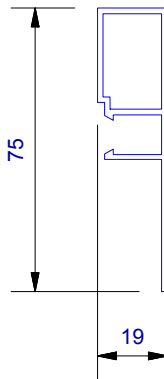
UA 5832  
Soffit 65mm Clip Top



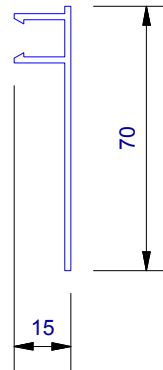
UA 5833  
Soffit 30mm Clip Top



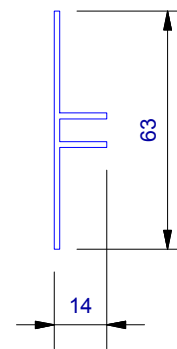
UA 7584  
Jamb/Sill Clip Base



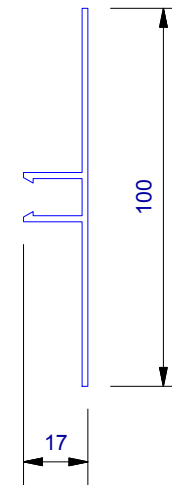
UA 5831  
Soffit Clip Base



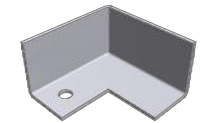
UA 7096  
Flat Jointer Top



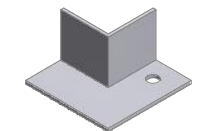
UA 6324  
2 Piece Jointer Base



CLADNRCAP  
Corner Cap ( 1 : 3 )



CLADNRCAPI  
Internal Corner Cap ( 1 : 3 )



CLADSTAKECNR  
Plastic Staking Corner ( 1 : 3 )

