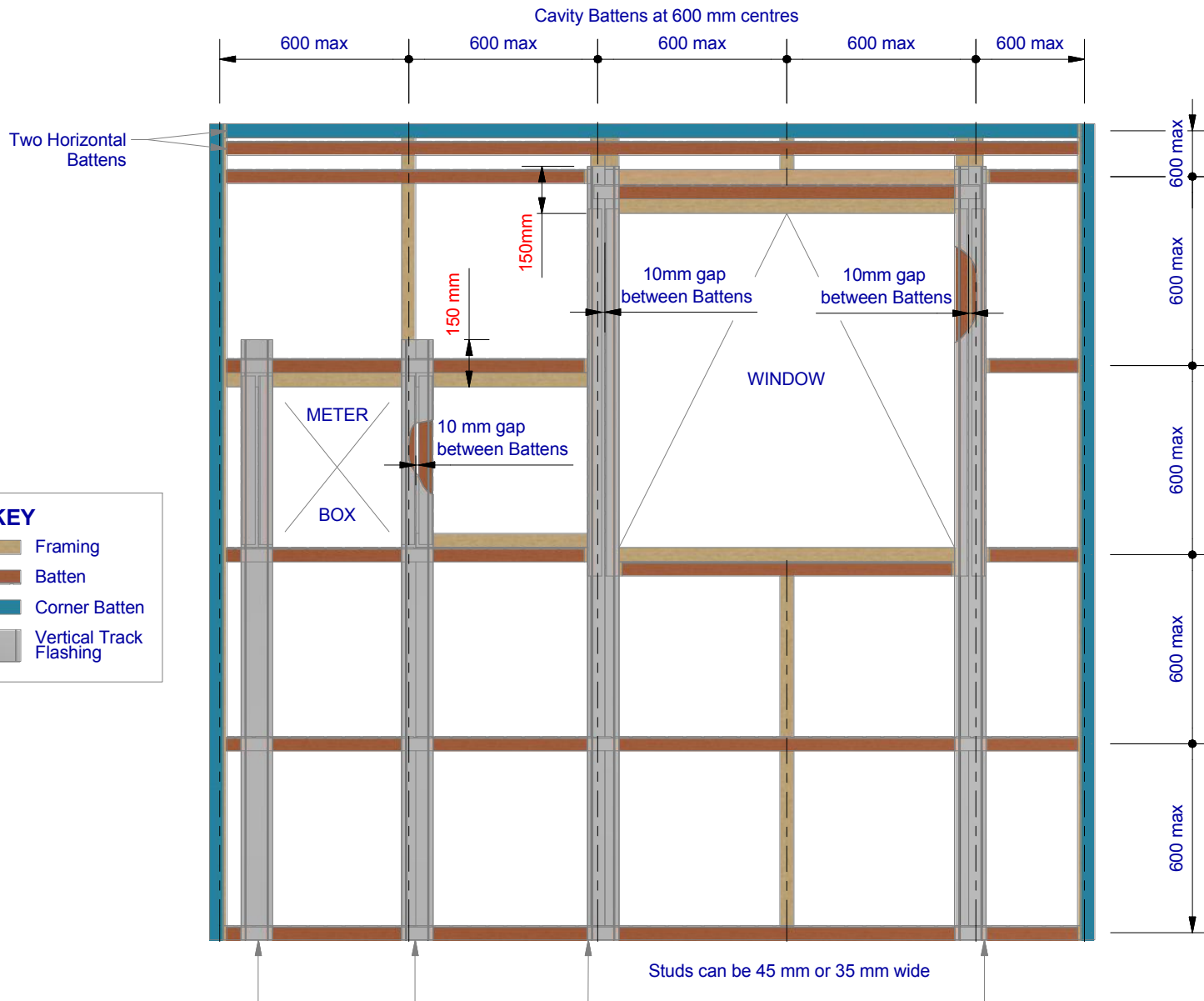




UA7401 INIFINTY BOARD VERTICAL CAVITY SYSTEM

REV: 10 2019

- V00 : Wall Batten Elevation
- V01 : External Corner on Cavity
- V02 : Internal Corner on Cavity
- V03 : 90° deg Corner Cap
- V04 : Vertical Wall Starter
- V05 : No Soffit Detail on Cavity
- V06 : Soffit Detail on Cavity
- V07 : Timber Floor on Cavity
- V08 : Window Head on Cavity
- V09 : Window Jam on Cavity
- V10 : Window Sill on Cavity
- V11 : Sill-Jamb on Cavity
- V12 : Head flashing / Head Starter / Jamb iso
- V13 : Head - Jamb iso
- V14 : Head - Jamb Notching Details
- V15 : Meter Box Head on Cavity
- V16 : Meter Box Jamb on Cavity
- V17 : Meter Box Sill on Cavity
- V18 : Pipe Penetration on Cavity
- V19 : Roof-Wall Junction on Cavity
- V20 : Gutter Wall Junction on Cavity
- V21 : Parapet on Cavity
- V22 : Deck Junction on Cavity
- V23 : Inter-Storey Junction on Cavity
- V24 : Infinity Board Profiles



KEY

- Framing
- Batten
- Corner Batten
- Vertical Track Flashing

Batten options

1. Treated timber battens should have castellated profile to permit air passage and minimum 15° slope edge to shed water.

Impervious barrier (MDPE) or similar tape between cladding and batten.
To comply with NZBC E2/AS1 - Table 23.

Note:
Some machining of vertical battens may be required to avoid "build up".
i.e. back flashings / tapes

2. Cavity plastic Batten

Note:
packing/shims may be needed to ensure boards are fitted flat without distortion.

* Additional timber may be required at soffit to support UA 5831 Soffit Base.

Note: Important

Underlay strips to isolate aluminium from treated timber battens 50 mm wide medium density polyethylene (MDPE)

To comply with NZBC E2/AS1 - Table 23. Properties of roofing underlays and wall underlays, separates aluminium components and accessories from timber battens treated with copper-based treatments.

Cavity closers required as per NZBC E2/AS1 (section 9.1.8)

0.9 x 90mm Aluminium Track Flashing.
Alternatively use Dynex Dynafash.

Locator Clip UA 4535

Vertical cavity batten (corners only) fixed with 6g x 1.25" CSK Sq S/S pre-drilled screws through batten into dwang / nog

Clearance hole in board larger than screw gauge to allow for thermal expansion

5 MIN

When ripping boards to custom widths use treated timber Packers with isolation strips to replicate leg support

Minimum 5 mm clearance to allow for thermal expansion

Ulltraclad® UA 7094 Female Corner Flashing

Ulltraclad® UA 7095 Male Corner Flashing fixed to timber battens with 30 x 2.5 mm stainless steel clouts at 600 mm vertical centres

5 MIN

Face fix CSK aluminium Rivet through UA 7094 Female Corner Flashing and UA 7401 weatherboard (vertical). Touch up with colour match paint

Note: Underlay strips to isolate aluminium from treated timber battens Refer V00

Cavity batten Refer V00 Batten Options

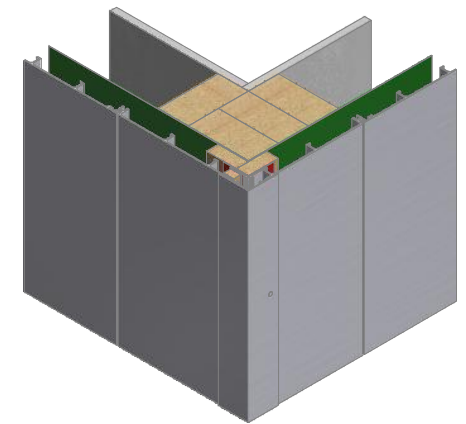
Building underlay continuous around corner

Locator Clips fixed at Max 600 mm vertical centres with 8g x 2" CSK Sq S/S self tapping screws through batten into dwang / nog

Wall frame

Interior lining

Note: Ensure to alternate spacings of fixings for battens and Locator Clips to avoid risk of splitting batten



ULLTRACLAD®
ALUMINIUM WEATHERBOARDS

ULLRICH ALUMINIUM CO LTD
PO Box 98 843 Manukau City Auckland 2241
118 Wiri Station Road Wiri 2104 New Zealand
TL 09 262 6262 Ext. 814 Mob 021 541 563

www.ulltraclad.co.nz

© ULLRICH ALUMINIUM - All Rights Reserved

V01

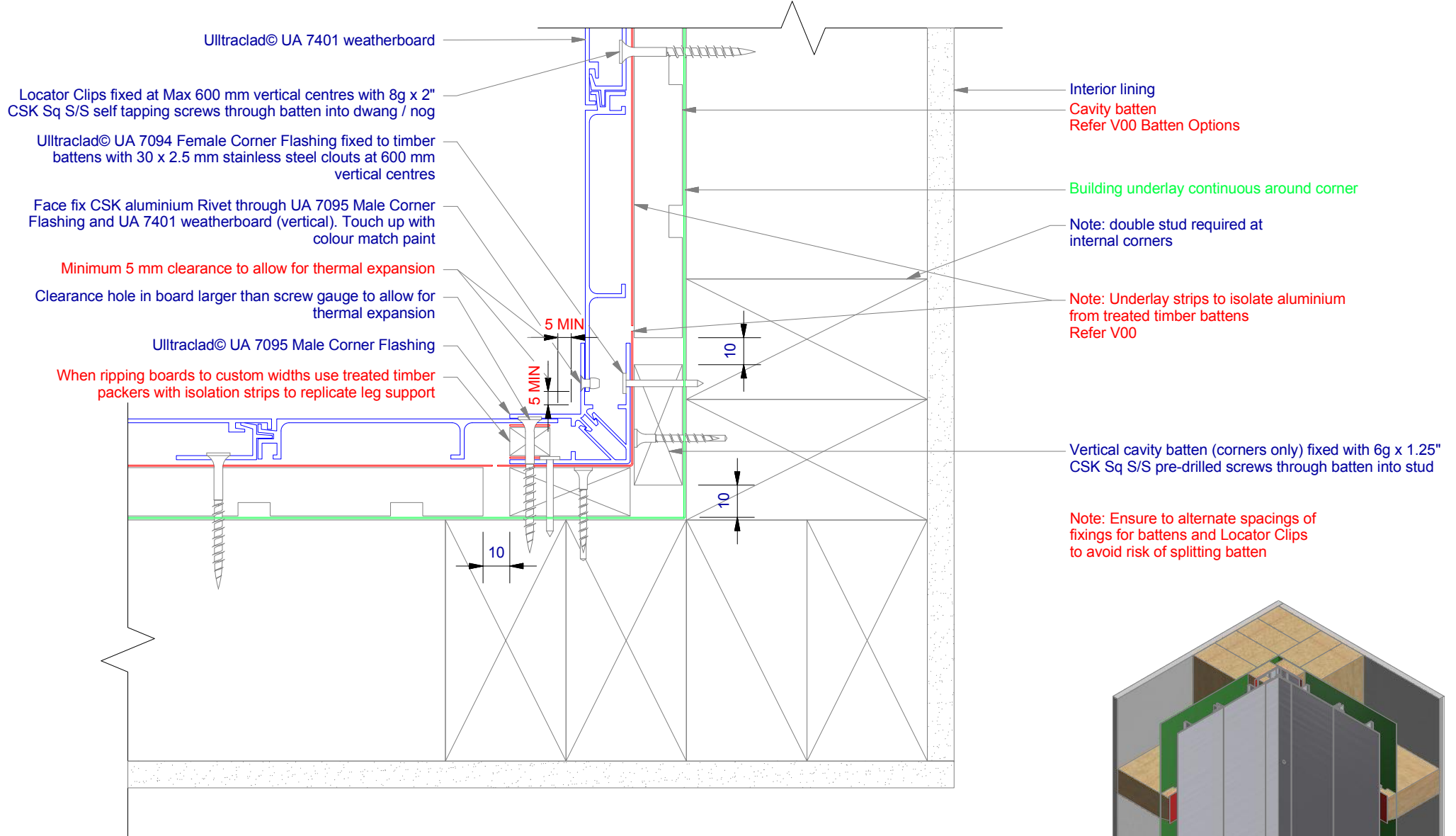
Rev : 10

External Corner on Cavity
UA 7401 INFINITY BOARD

VERTICAL CAVITY SYSTEM

Scale: 1 : 2 @ A4 - 2019

Brnz Appraisal #796 2019. (Vertical)



ULLTRACLAD[®]
ALUMINIUM WEATHERBOARDS

ULLRICH ALUMINIUM CO LTD
PO Box 98 843 Manukau City Auckland 2241
118 Wiri Station Road Wiri 2104 New Zealand
TL 09 262 6262 Ext. 814 Mob 021 541 563

www.ulltraclad.co.nz
© ULLRICH ALUMINIUM - All Rights Reserved

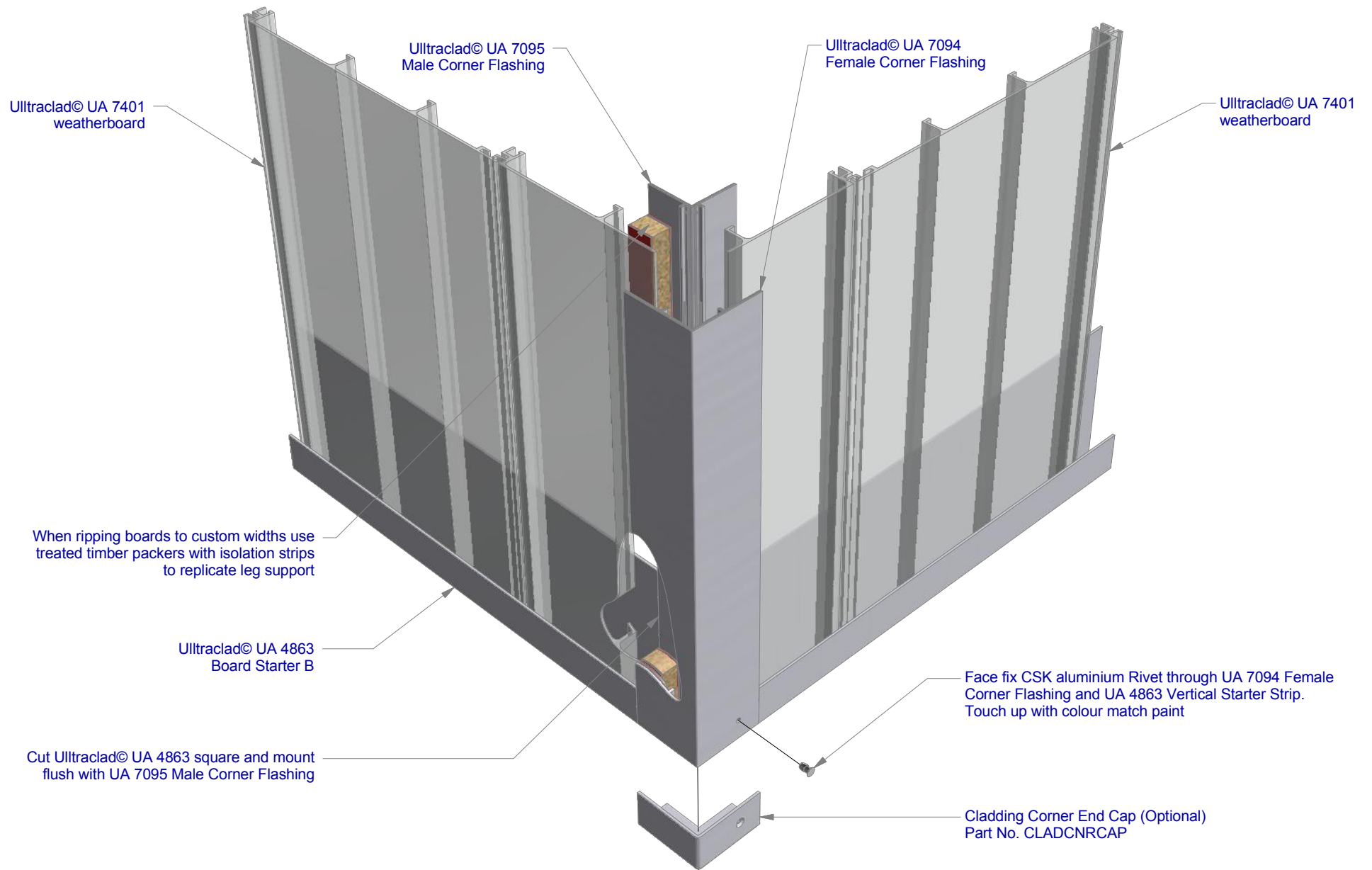
V02

Rev : 10

Internal Corner on Cavity
UA 7401 INFINITY BOARD

VERTICAL CAVITY SYSTEM
Scale: 1 : 2 @ A4 - 2019

Brnz Appraisal #796 2019. (Vertical)



ULLTRACLAD[®]
ALUMINIUM WEATHERBOARDS

ULLRICH ALUMINIUM CO LTD
PO Box 98 843 Manukau City Auckland 2241
118 Wiri Station Road Wiri 2104 New Zealand
TL 09 262 6262 Ext. 814 Mob 021 541 563

www.ulltraclad.co.nz

© ULLRICH ALUMINIUM - All Rights Reserved

V03

Rev : 10

90° deg Corner Cap
UA 7401 INFINITY BOARD

VERTICAL CAVITY SYSTEM

Scale: 1 : 3 @ A4 - 2019

Brnz Appraisal #796 2019. (Vertical)

Ulltraclad® UA 7401 weatherboards fixed with Locator Clips fixed at Max 600 mm vertical centres with 8g x 2" CSK Sq S/S self tapping screws through batten into dwang / nog

Note: Underlay strips to isolate aluminium from treated timber battens Refer V00

Cavity batten Refer V00 Batten Options

Ulltraclad® UA 4863 Vertical Starter Strip fixed to bottom plate at 300 mm centres with 8g x 2" CSK Sq S/S self tapping screws

Ulltraclad® Cavity Vent Strip Alternatively use PVC type

Ulltraclad® UA 4863 with 5 mm diameter drainage holes drilled through base of Starter at 300 mm centres

Note: 100 mm minimum to permanent paving or 175 mm to unpaved ground to clause 9.1.3 of E2/AS1

Concrete slab or Blockwork

Finished ground level

Building underlay

Interior lining

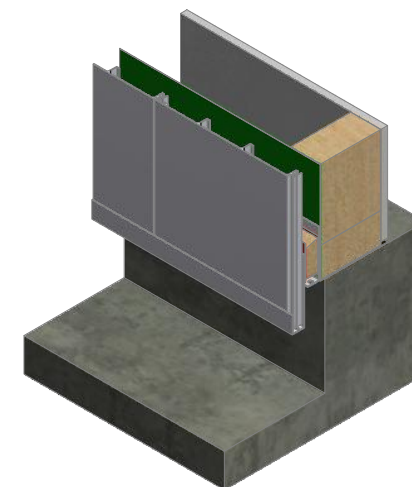
Bottom plate over DPC

Note: Ensure to alternate spacings of fixings for battens and Locator Clips to avoid risk of splitting batten

6 mm overhang (optional)

50

100



ULLTRACLAD®
ALUMINIUM WEATHERBOARDS

ULLRICH ALUMINIUM CO LTD
PO Box 98 843 Manukau City Auckland 2241
118 Wiri Station Road Wiri 2104 New Zealand
TL 09 262 6262 Ext. 814 Mob 021 541 563

www.ulltraclad.co.nz

© ULLRICH ALUMINIUM - All Rights Reserved

V04

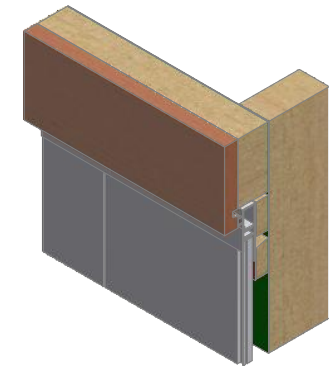
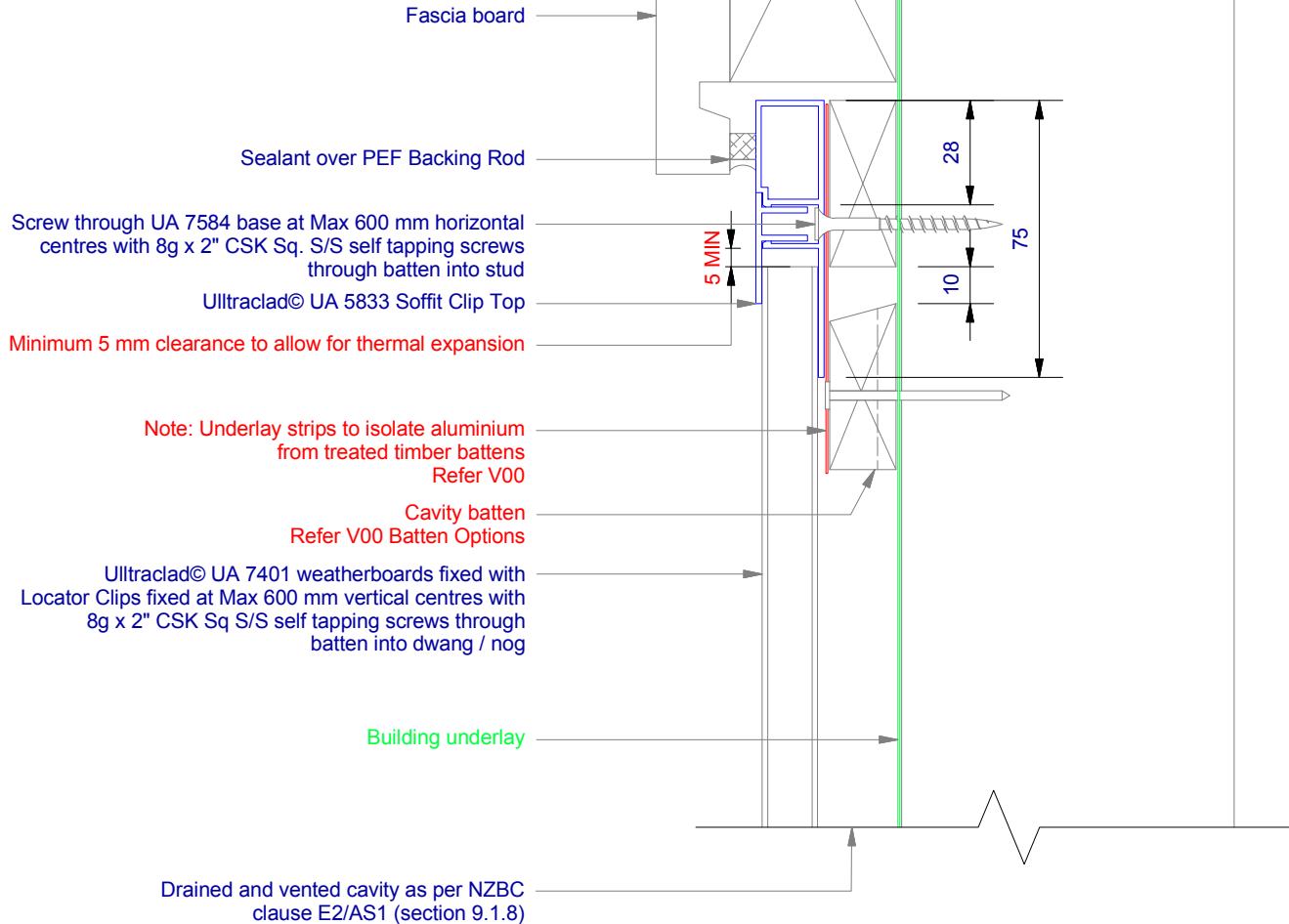
Rev : 10

Vertical Wall Starter
UA 7401 INFINITY BOARD

VERTICAL CAVITY SYSTEM
Scale: 1 : 2 @ A4 - 2019

Brnz Appraisal #796 2019. (Vertical)

Note: Ensure to alternate spacings of fixings for battens and Locator Clips to avoid risk of splitting batten



ULLTRA CLAD[®]
ALUMINIUM WEATHERBOARDS

ULLRICH ALUMINIUM CO LTD
PO Box 98 843 Manukau City Auckland 2241
118 Wiri Station Road Wiri 2104 New Zealand
TL 09 262 6262 Ext. 814 Mob 021 541 563
www.ulltraclad.co.nz
© ULLRICH ALUMINIUM - All Rights Reserved

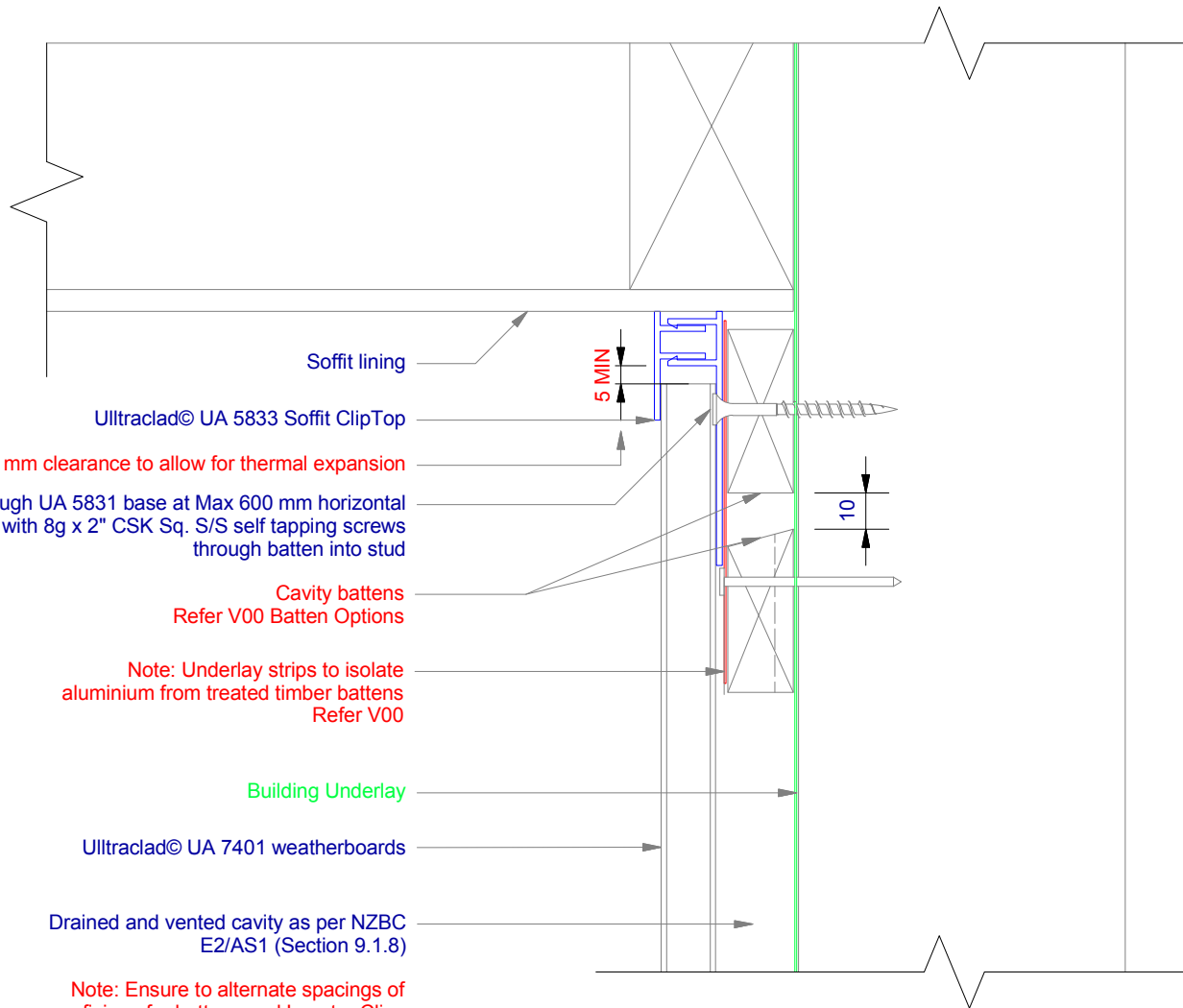
V05

Rev : 10

No Soffit Detail on Cavity
UA 7401 INFINITY BOARD

VERTICAL CAVITY SYSTEM
Scale: 1 : 2 @ A4 - 2019

Brnz Appraisal #796 2019. (Vertical)



Minimum 5 mm clearance to allow for thermal expansion

Screw through UA 5831 base at Max 600 mm horizontal centres with 8g x 2" CSK Sq. S/S self tapping screws through batten into stud

Cavity battens
Refer V00 Batten Options

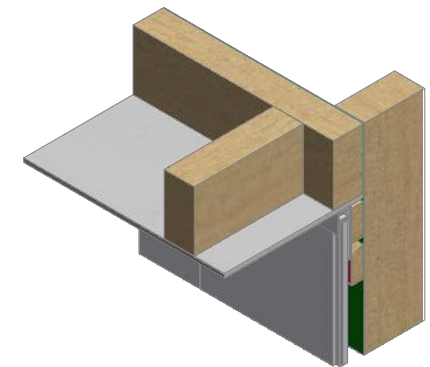
Note: Underlay strips to isolate aluminium from treated timber battens
Refer V00

Building Underlay

Ulltraclad© UA 7401 weatherboards

Drained and vented cavity as per NZBC E2/AS1 (Section 9.1.8)

Note: Ensure to alternate spacings of fixings for battens and Locator Clips to avoid risk of splitting batten



ULLTRACLAD[®]
ALUMINIUM WEATHERBOARDS

ULLRICH ALUMINIUM CO LTD
PO Box 98 843 Manukau City Auckland 2241
118 Wiri Station Road Wiri 2104 New Zealand
TL 09 262 6262 Ext. 814 Mob 021 541 563

www.ulltraclad.co.nz

© ULLRICH ALUMINIUM - All Rights Reserved

V06

Rev : 10

Soffit Detail on Cavity
UA 7401 INFINITY BOARD

VERTICAL CAVITY SYSTEM

Scale: 1 : 2 @ A4 - 2019

Brnz Appraisal #796 2019. (Vertical)

Ultraclad® UA 7401 weatherboards fixed with Locator Clips fixed at Max 600 mm vertical centres with 8g x 2" CSK Sq S/S self tapping screws through batten into dwang / nog

Interior lining

Bottom plate

Flooring to finish 10 mm back from outside framing

Timber floor structure in accordance with NZS 3604: 2011

Building Underlay

Note: Underlay strips to isolate aluminium from treated timber battens Refer V00

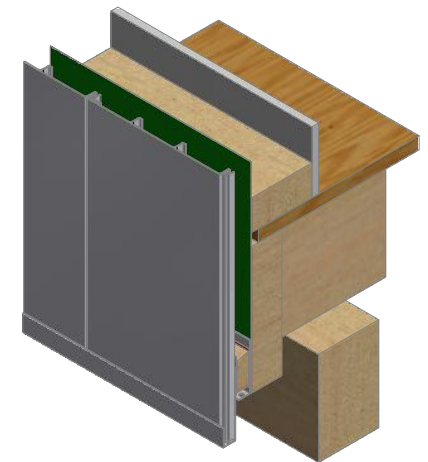
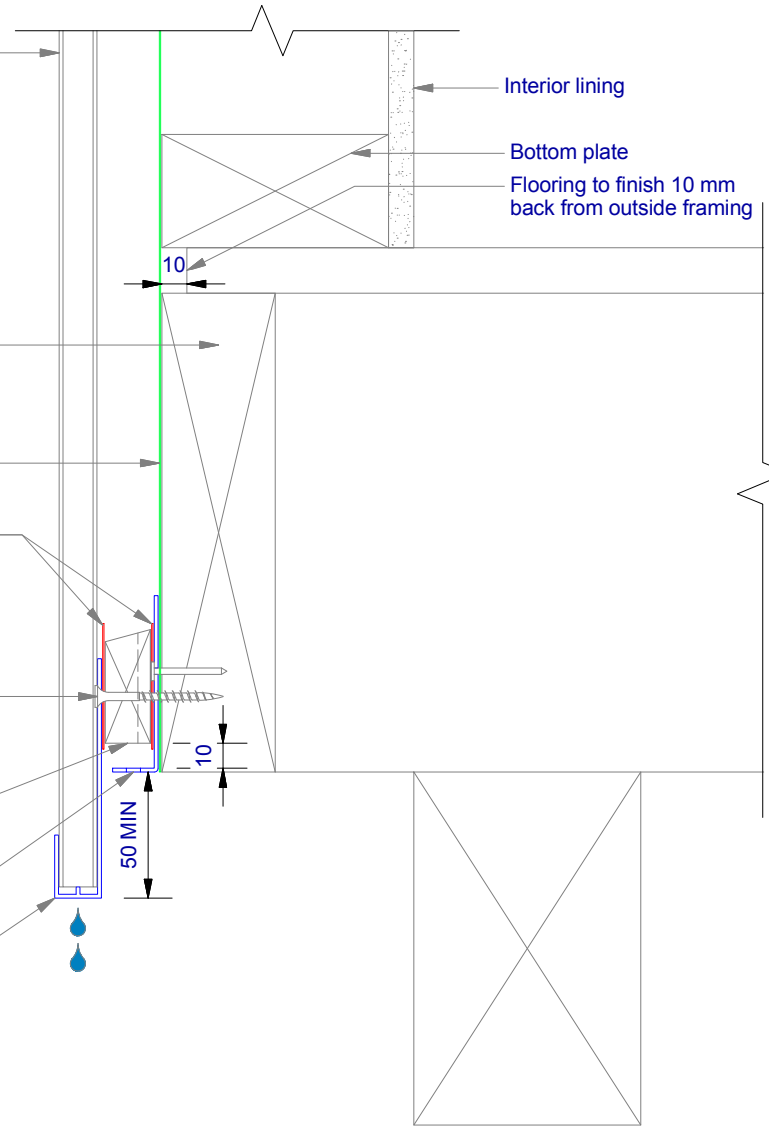
Ultraclad® UA 4863 Vertical Starter Strip fixed to floor joist at 300 mm centres with 8g x 2" CSK Sq. S/S self tapping screws

Cavity batten Refer V00 Batten Options

Ultraclad® Cavity Vent Strip Alternatively use PVC type

Ultraclad® UA 4863 with 5 mm diameter drainage holes drilled through base of Starter at 300 mm centres

Note: Ensure to alternate spacings of fixings for battens and Locator Clips to avoid risk of splitting batten



ULLTRACLAD[®]
ALUMINIUM WEATHERBOARDS

ULLRICH ALUMINIUM CO LTD
PO Box 98 843 Manukau City Auckland 2241
118 Wiri Station Road Wiri 2104 New Zealand
TL 09 262 6262 Ext. 814 Mob 021 541 563

www.ulltraclad.co.nz

© ULLRICH ALUMINIUM - All Rights Reserved

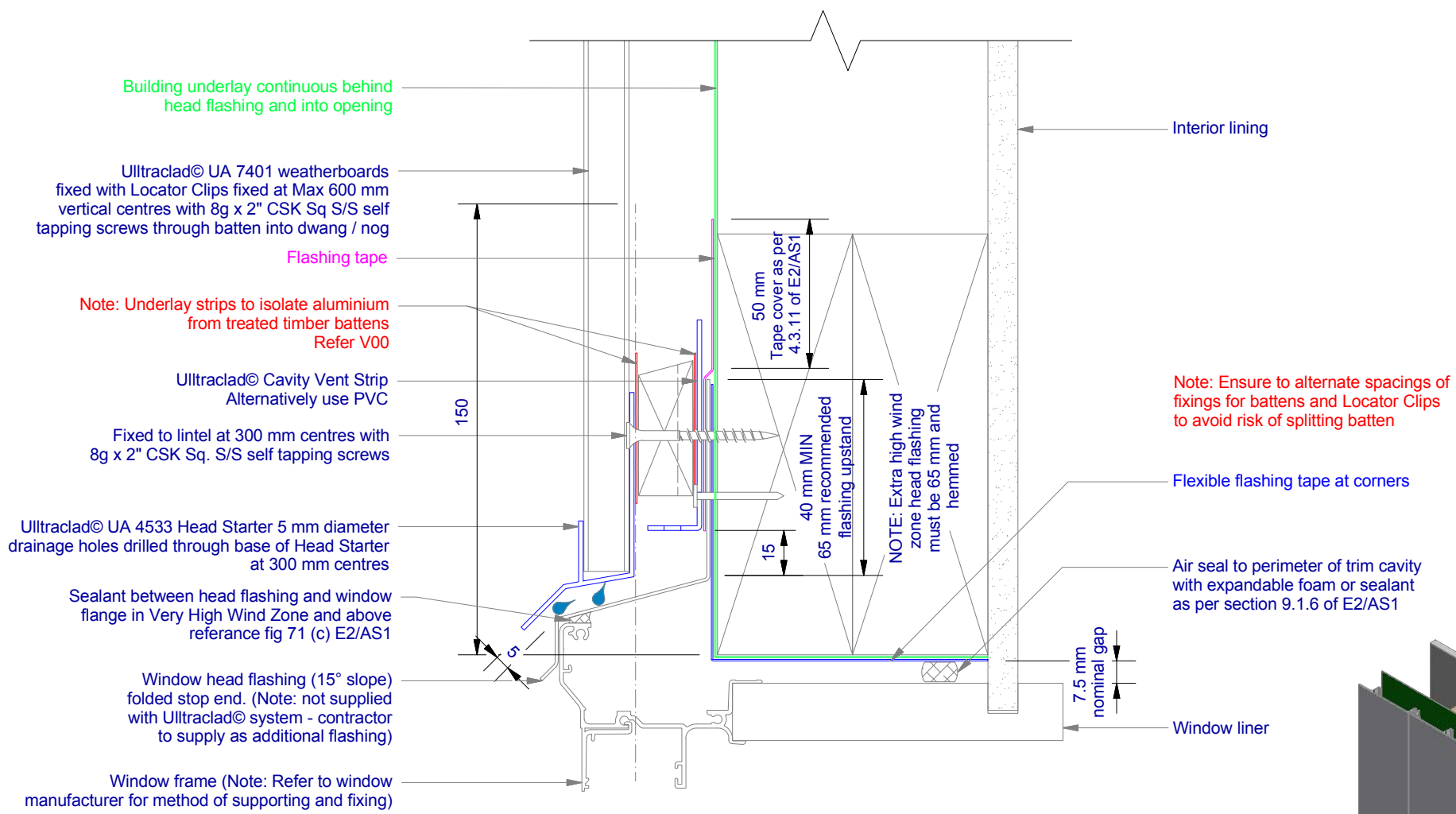
V07

Rev : 10

Timber Floor on Cavity
UA 7401 INFINITY BOARD

VERTICAL CAVITY SYSTEM
Scale: 1 : 3 @ A4 - 2019

Brnz Appraisal #796 2019. (Vertical)



Building underlay continuous behind head flashing and into opening

Ulltraclad® UA 7401 weatherboards fixed with Locator Clips fixed at Max 600 mm vertical centres with 8g x 2" CSK Sq S/S self tapping screws through batten into dwang / nog

Flashing tape

Note: Underlay strips to isolate aluminium from treated timber battens Refer V00

Ulltraclad® Cavity Vent Strip Alternatively use PVC

Fixed to lintel at 300 mm centres with 8g x 2" CSK Sq. S/S self tapping screws

Ulltraclad® UA 4533 Head Starter 5 mm diameter drainage holes drilled through base of Head Starter at 300 mm centres

Sealant between head flashing and window flange in Very High Wind Zone and above reference fig 71 (c) E2/AS1

Window head flashing (15° slope) folded stop end. (Note: not supplied with Ulltraclad® system - contractor to supply as additional flashing)

Window frame (Note: Refer to window manufacturer for method of supporting and fixing)

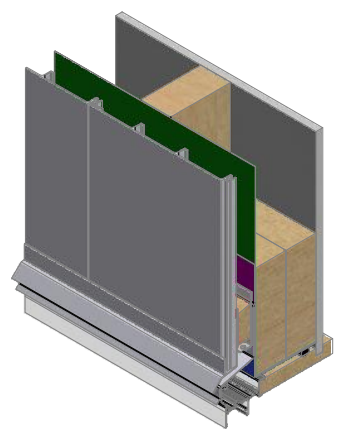
Interior lining

Note: Ensure to alternate spacings of fixings for battens and Locator Clips to avoid risk of splitting batten

Flexible flashing tape at corners

Air seal to perimeter of trim cavity with expandable foam or sealant as per section 9.1.6 of E2/AS1

Window liner



ULLTRA CLAD[®]
ALUMINIUM WEATHERBOARDS

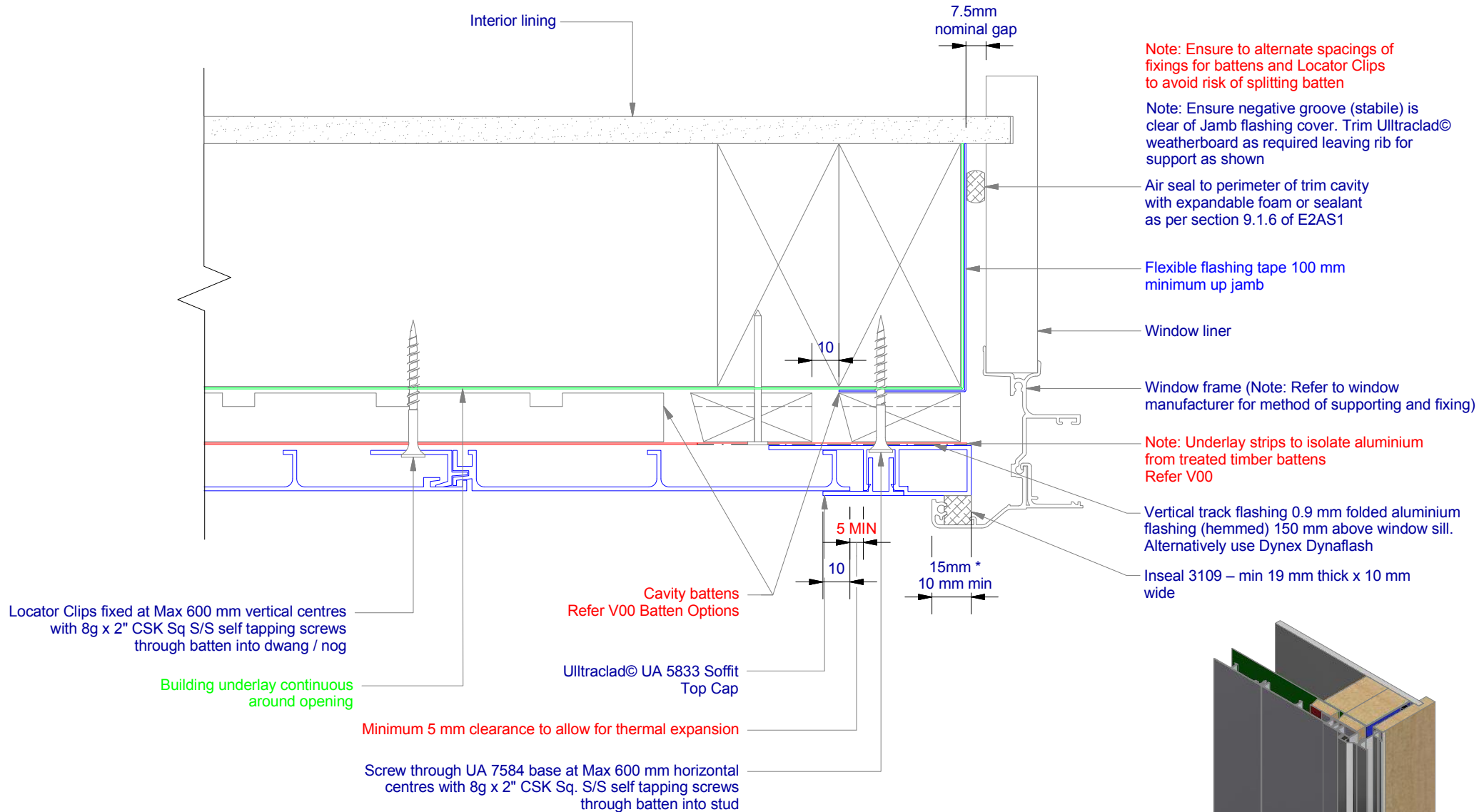
ULLRICH ALUMINIUM CO LTD
PO Box 98 843 Manukau City Auckland 2241
118 Wiri Station Road Wiri 2104 New Zealand
TL 09 262 6262 Ext. 814 Mob 021 541 563
www.ulltraclad.co.nz
© ULLRICH ALUMINIUM - All Rights Reserved

V08
Rev : 10

Window Head on Cavity
UA 7401 INFINITY BOARD

VERTICAL CAVITY SYSTEM
Scale: 1 : 2 @ A4 - 2019

Brnz Appraisal #796 2019. (Vertical)



Note: Ensure to alternate spacings of fixings for battens and Locator Clips to avoid risk of splitting batten

Note: Ensure negative groove (stable) is clear of Jamb flashing cover. Trim Ulltraclad® weatherboard as required leaving rib for support as shown

Air seal to perimeter of trim cavity with expandable foam or sealant as per section 9.1.6 of E2AS1

Flexible flashing tape 100 mm minimum up jamb

Window liner

Window frame (Note: Refer to window manufacturer for method of supporting and fixing)

Note: Underlay strips to isolate aluminium from treated timber battens Refer V00

Vertical track flashing 0.9 mm folded aluminium flashing (hemmed) 150 mm above window sill. Alternatively use Dynex Dynafash

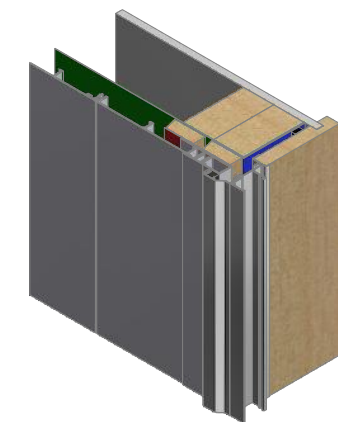
Inseal 3109 – min 19 mm thick x 10 mm wide

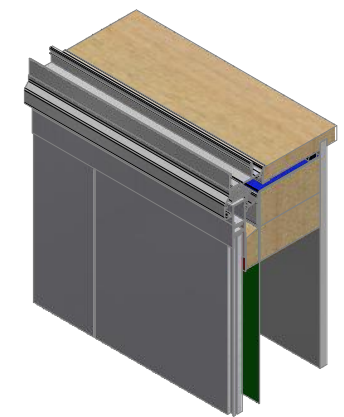
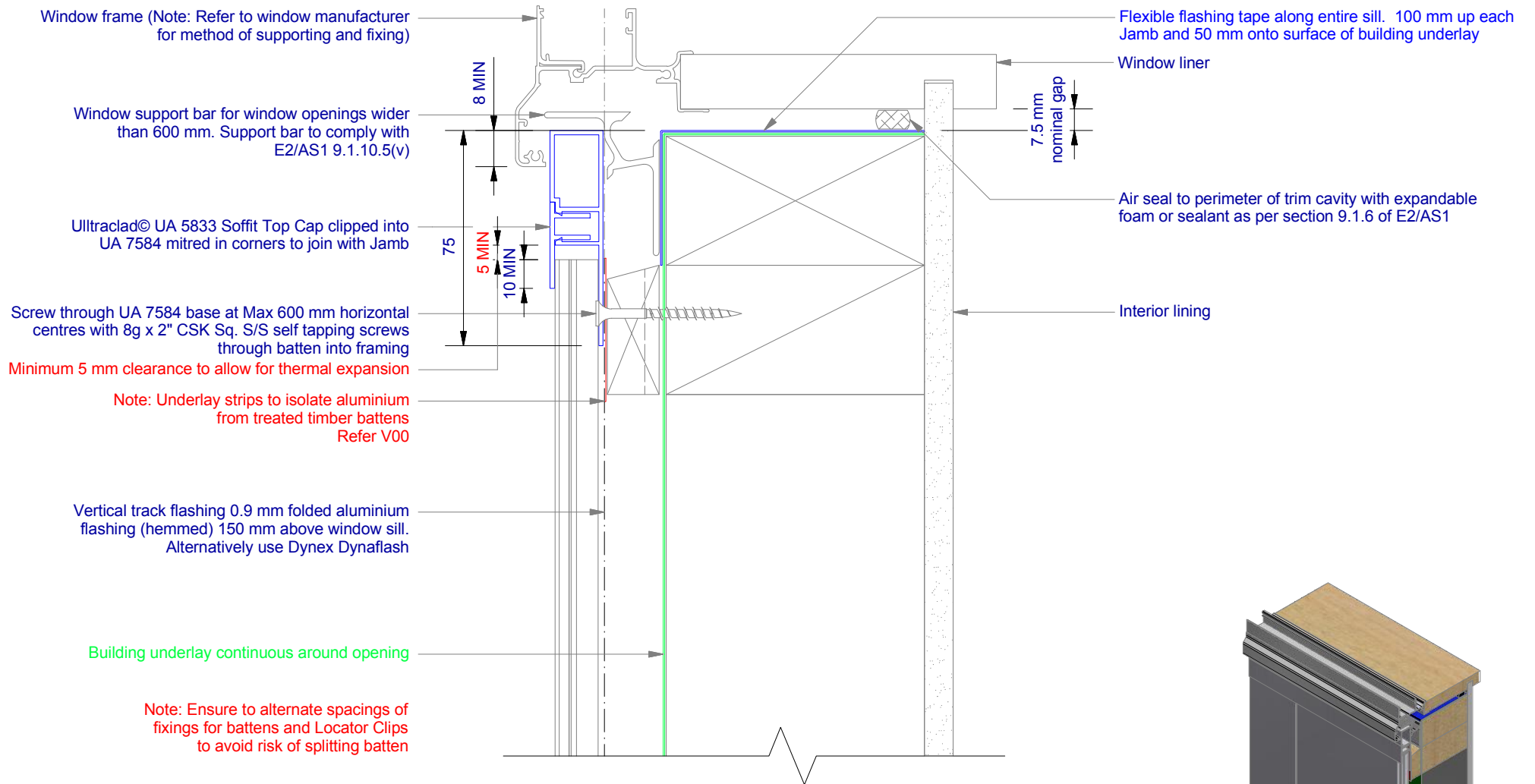
Locator Clips fixed at Max 600 mm vertical centres with 8g x 2" CSK Sq S/S self tapping screws through batten into dwang / nog

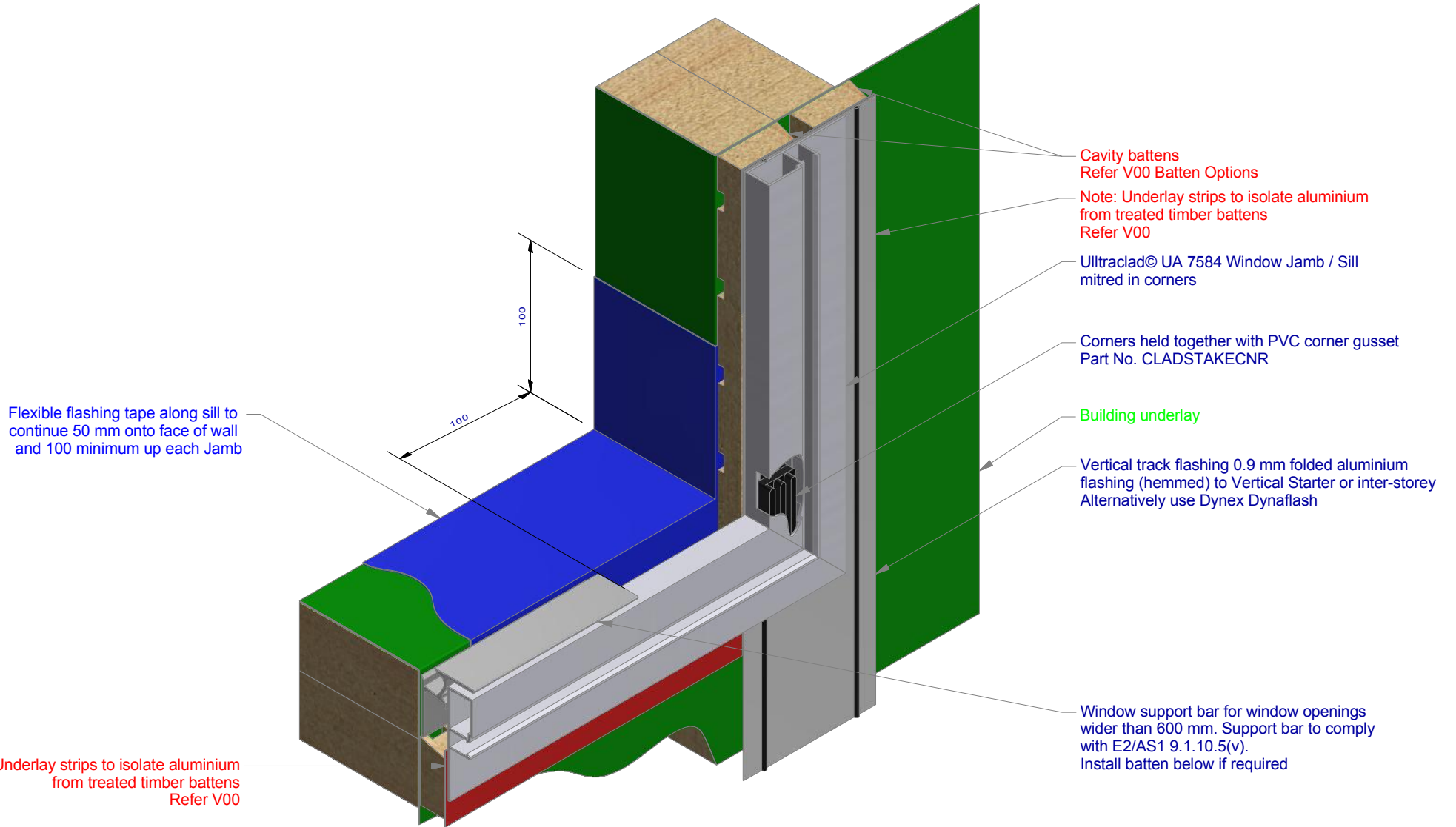
Building underlay continuous around opening

Minimum 5 mm clearance to allow for thermal expansion

Screw through UA 7584 base at Max 600 mm horizontal centres with 8g x 2" CSK Sq. S/S self tapping screws through batten into stud

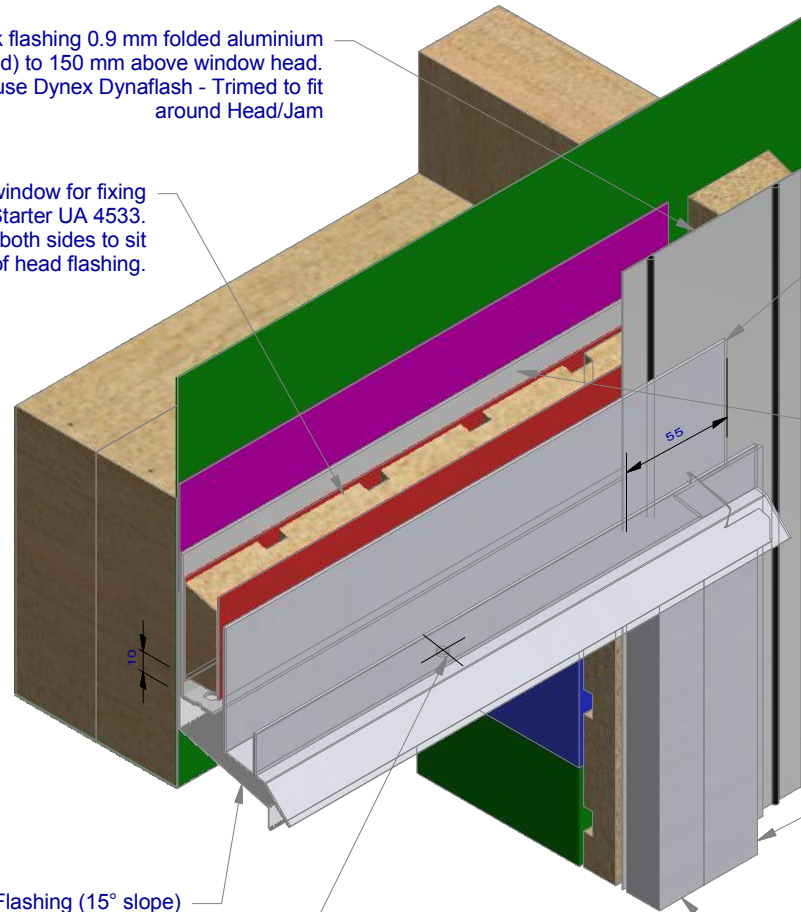






Vertical track flashing 0.9 mm folded aluminium flashing (hemmed) to 150 mm above window head. Alternatively use Dynex Dynaflash - Trimed to fit around Head/Jam

Battens above window for fixing window head Starter UA 4533. Outer batten both sides to sit inside stopend of head flashing.



Window Head Flashing (15° slope) folded stop end. (Note: not supplied with Ulltraclad® system - contractor to supply as additional flashing)

Ulltraclad® UA 4533 Head Starter 5 mm diameter drainage holes drilled through base of Head Starter at 300 mm centres

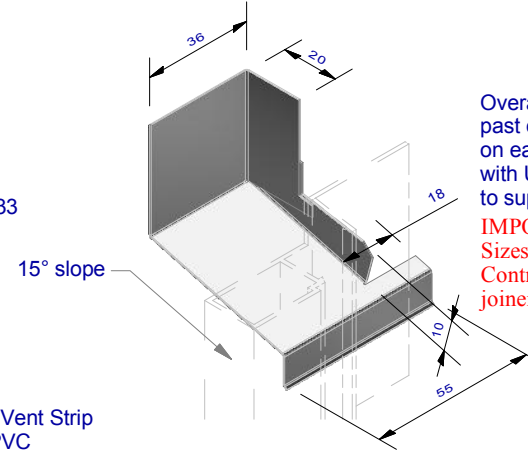
Ulltraclad® UA 4533 Head Starter

Ulltraclad® Cavity Vent Strip Alternatively use PVC

Ulltraclad® UA 5833 Soffit Clip Top

Ulltraclad® UA 7584 Jamb Flashing

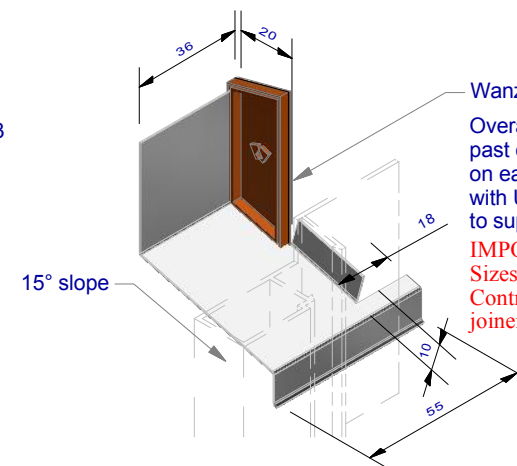
Window Head Flashing Option 1 Cut & Fold Stop End (1 : 2)



Overall Head Flashing length = +40 mm past edge of window and door joinery on each side. (Note: not supplied with Ulltraclad® system - contractor to supply as additional flashing)

IMPORTANT:
Sizes shown are indicative only!
Contractor to confirm onsite as joinery suites may vary.

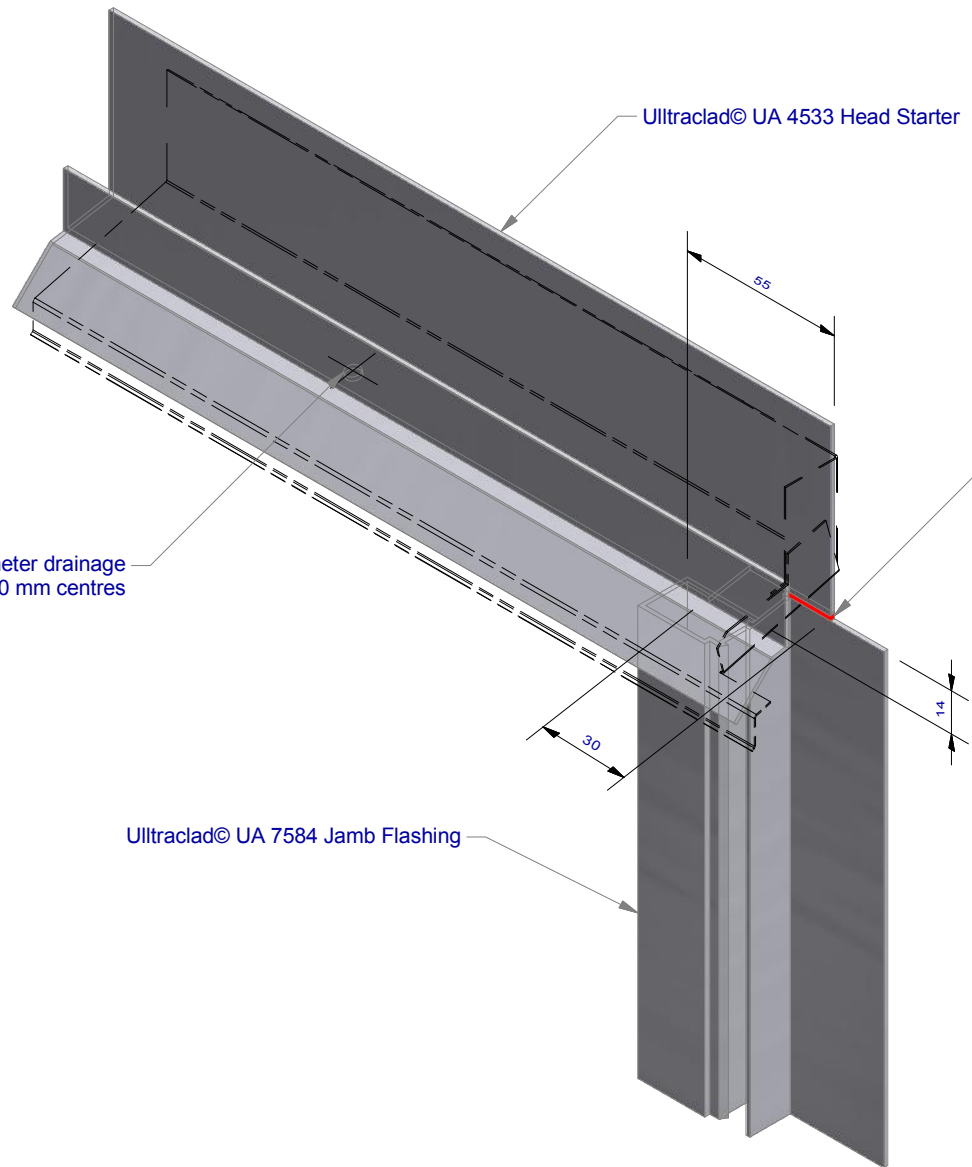
Window Head Flashing Option 2 Wanz Plastic Stop End Cap (1 : 2)



Wanz Plastic Stop End

Overall Head Flashing length = +40 mm past edge of window and door joinery on each side. (Note: not supplied with Ulltraclad® system - contractor to supply as additional flashing)

IMPORTANT:
Sizes shown are indicative only!
Contractor to confirm onsite as joinery suites may vary.



Ulltraclad© UA 4533 Head Starter

IMPORTANT:
 Sizes shown are indicative only!
 Contractor to confirm onsite as
 joinery suites may vary.

Applying sealant before fitting UA 4533
 sealant at facade

Note: Ulltraclad© UA 4533 Head Starter to extend
 40 mm past edge of window or door joinery.
 Building underlay, flashing tape and UA 5833
 omitted for clarity

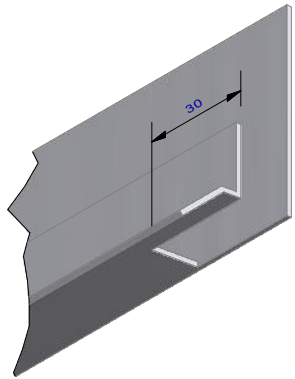
Ulltraclad© UA 4533 Head Starter 5 mm diameter drainage
 holes drilled through base of Head Starter at 300 mm centres

Ulltraclad© UA 7584 Jamb Flashing

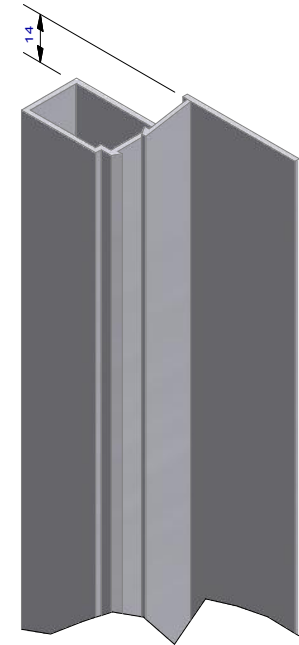
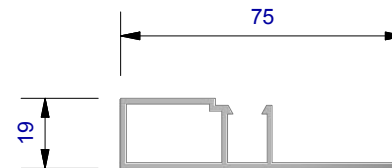
Ultraclad® UA 4533 Head Starter 5 mm diameter drainage holes drilled through base of Head Starter at 300 mm centres



IMPORTANT:
 Sizes shown are indicative only!
 Contractor to confirm onsite as
 joinery suites may vary.



Ultraclad® UA 7584
 Jamb Flashing



ULLTRA CLAD®
 ALUMINIUM WEATHERBOARDS

ULLRICH ALUMINIUM CO LTD
 PO Box 98 843 Manukau City Auckland 2241
 118 Wiri Station Road Wiri 2104 New Zealand
 TL 09 262 6262 Ext. 814 Mob 021 541 563
 www.ulltraclad.co.nz
 © ULLRICH ALUMINIUM - All Rights Reserved

V14

Rev : 10

Head - Jamb Notching Details
 UA 7401 INFINITY BOARD

VERTICAL CAVITY SYSTEM
 Scale: 1 : 2 @ A4 - 2019

Branz Appraisal #796 2019. (Vertical)

Ulltraclad® UA 7401 weatherboards fixed with Locator Clips fixed at Max 600 mm vertical centres with 8g x 2" CSK Sq S/S self tapping screws through batten into dwang / nog

Flashing tape

Ulltraclad® Cavity Vent Strip
Alternatively use PVC type

Note: Underlay strips to isolate aluminium from treated timber battens
Refer V00

Cavity batten
Refer V00 Batten Options

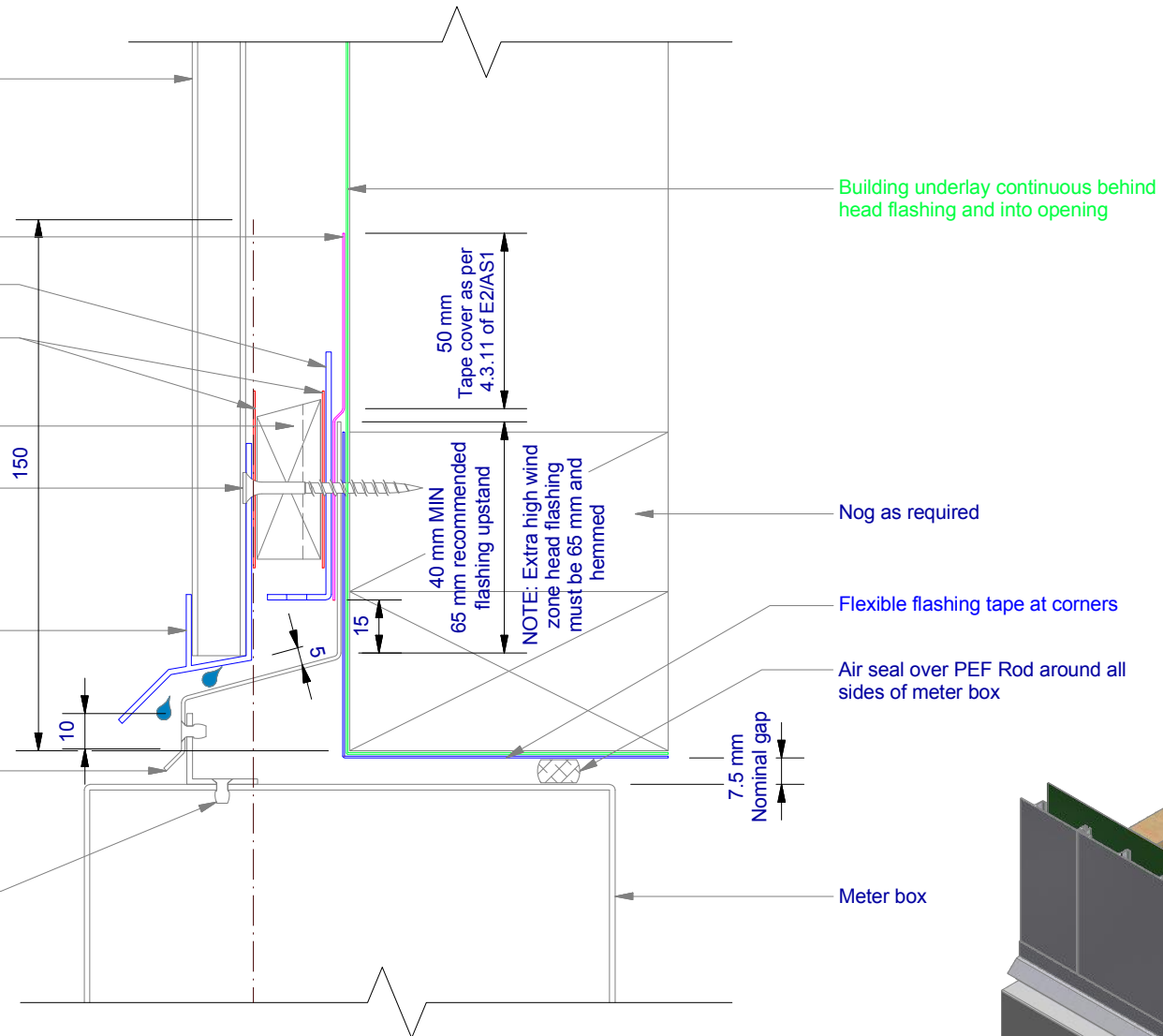
Ulltraclad® UA 4863 Vertical Starter Strip fixed to framing at 300 mm centres with 8g x 2" CSK Sq. S/S self tapping screws

Ulltraclad® UA 4533 Head Starter 5 mm diameter drainage holes drilled through base of flashing at 300 mm centres

Aluminium flashing 15° slope
(Note: not supplied with Ulltraclad® system - contractor to supply as additional flashing Stop end etc.)

20mm x 20mm angle sealed and rivited to meter box

Note: Ensure to alternate spacings of fixings for battens and Locator Clips to avoid risk of splitting batten



Building underlay continuous behind head flashing and into opening

50 mm
Tape cover as per 4.3.11 of E2/AS1

40 mm MIN
65 mm recommended flashing upstand

NOTE: Extra high wind zone head flashing must be 65 mm and hemmed

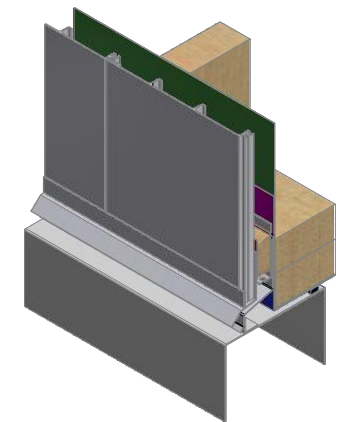
Nog as required

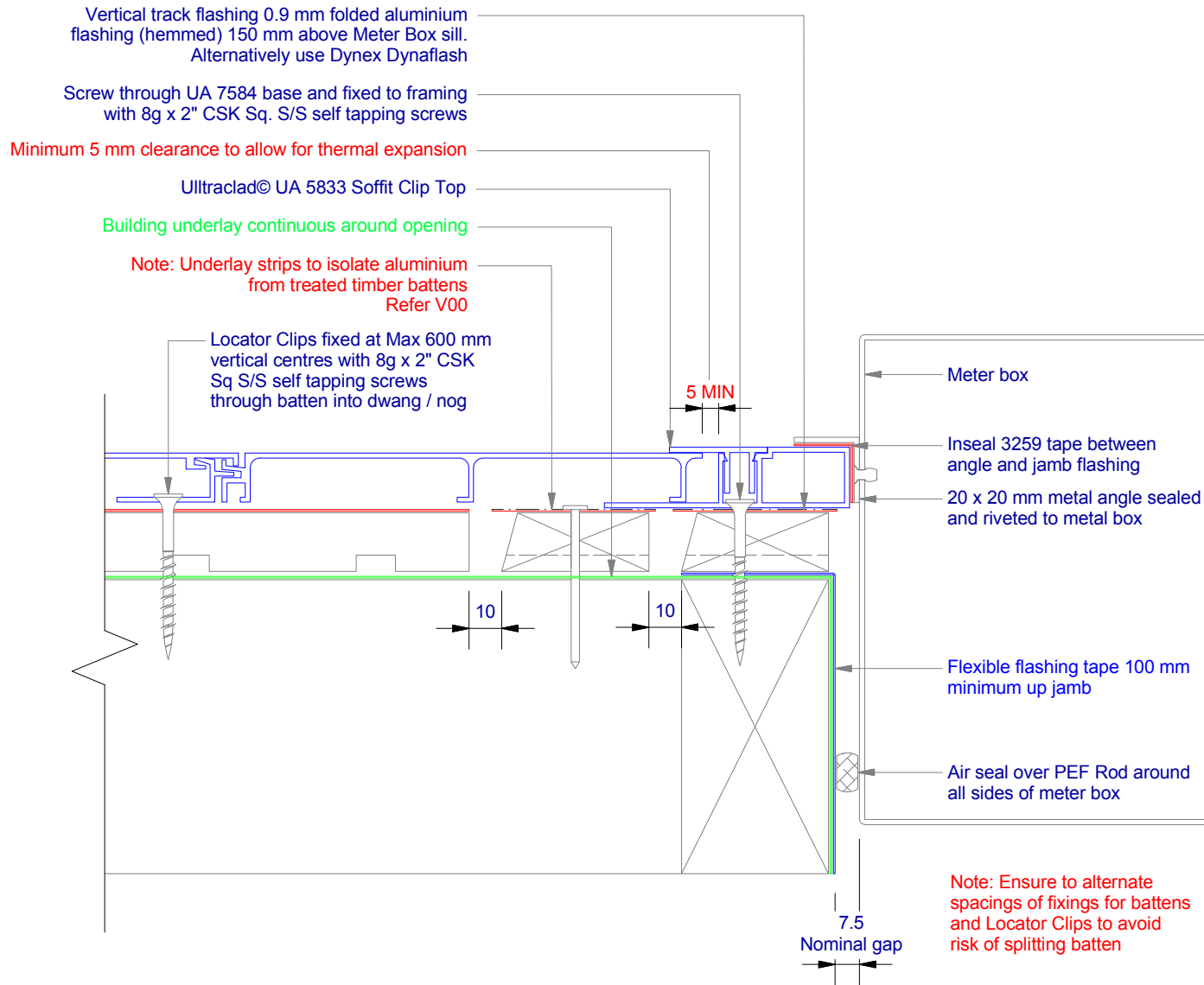
Flexible flashing tape at corners

Air seal over PEF Rod around all sides of meter box

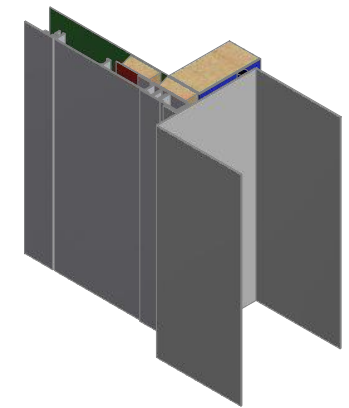
7.5 mm
Nominal gap

Meter box





Note: Ensure to alternate spacings of fixings for battens and Locator Clips to avoid risk of splitting batten



ULLTRACLAD®
ALUMINIUM WEATHERBOARDS

ULLRICH ALUMINIUM CO LTD
PO Box 98 843 Manukau City Auckland 2241
118 Wiri Station Road Wiri 2104 New Zealand
TL 09 262 6262 Ext. 814 Mob 021 541 563

www.ulltraclad.co.nz

© ULLRICH ALUMINIUM - All Rights Reserved

V16

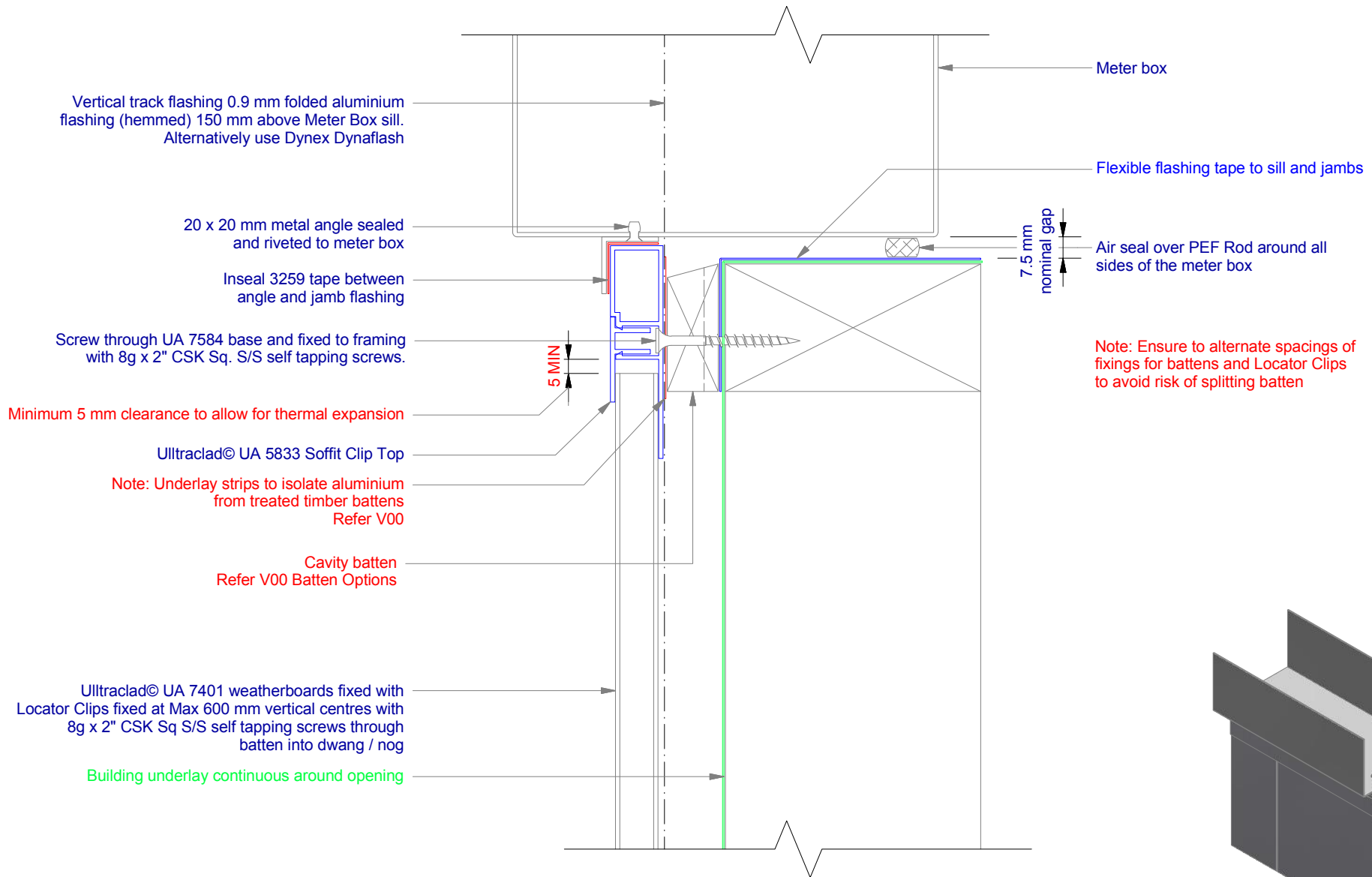
Rev : 10

Meter Box Jamb on Cavity
UA 7401 INFINITY BOARD

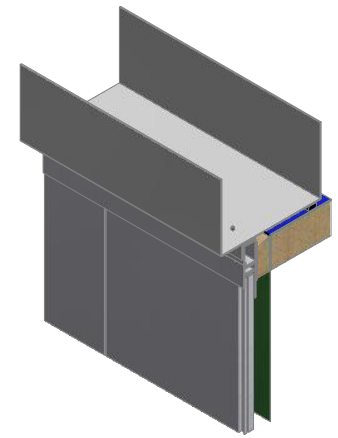
VERTICAL CAVITY SYSTEM

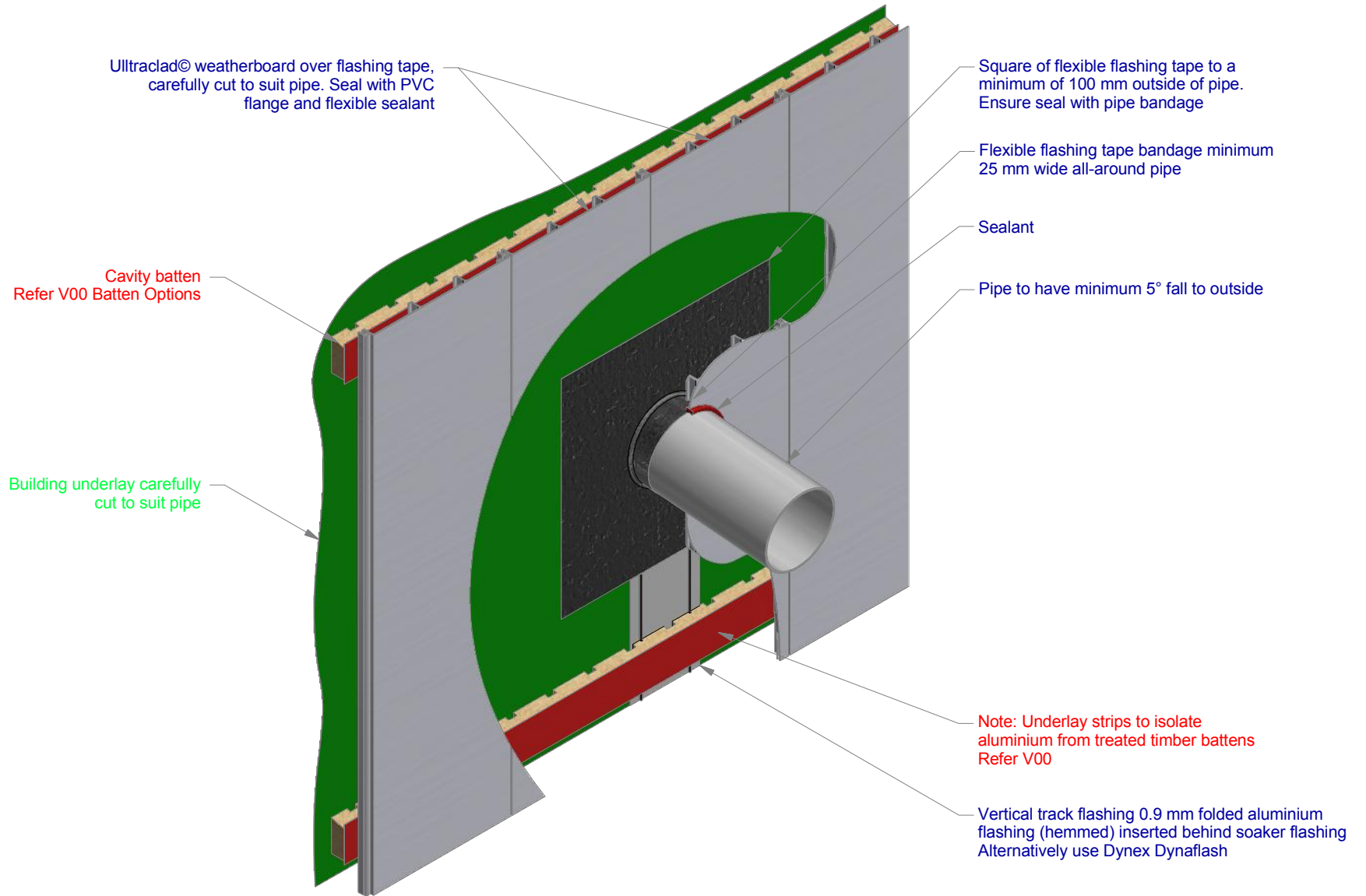
Scale: 1 : 2 @ A4 - 2019

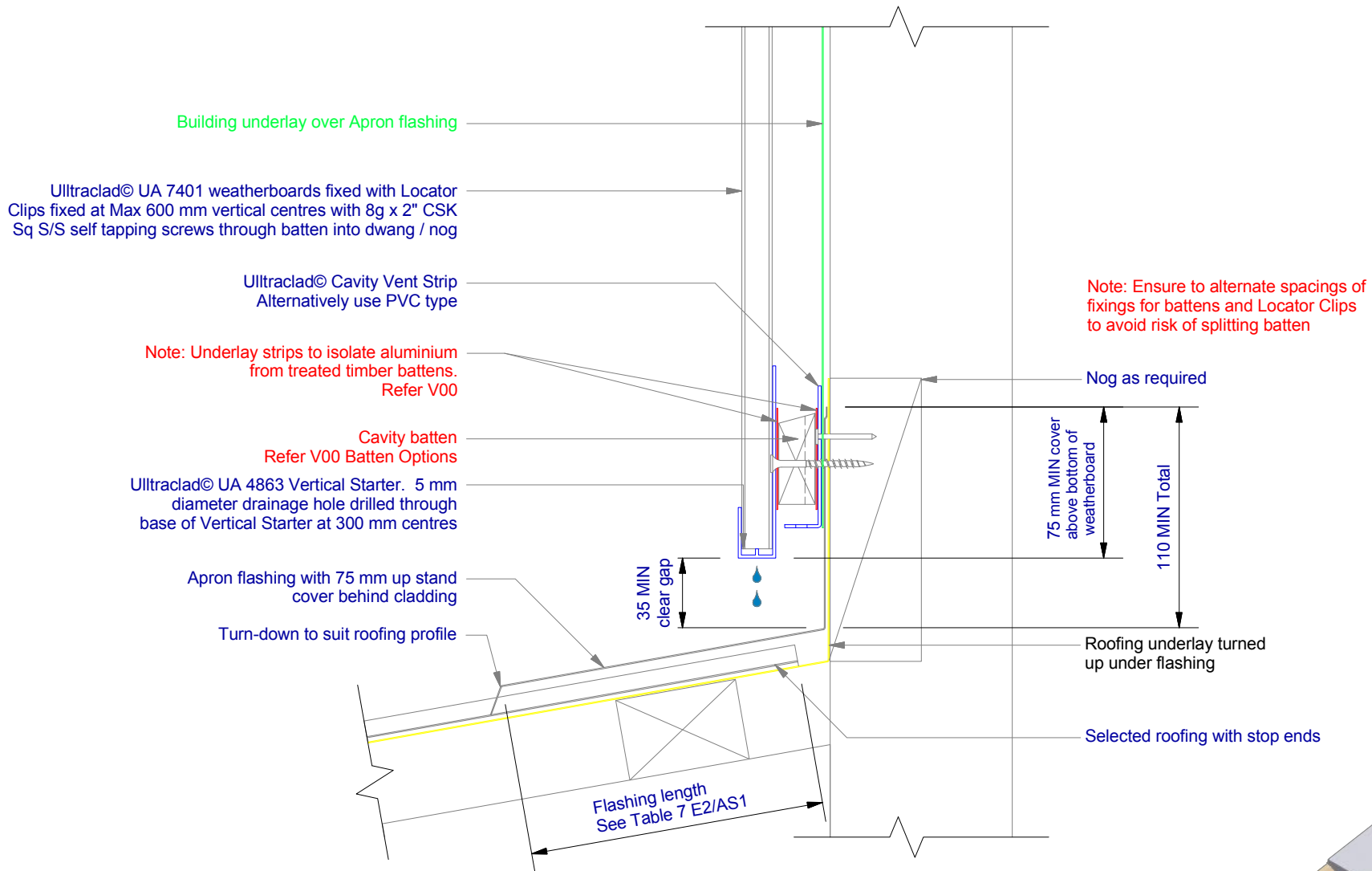
Brnz Appraisal #796 2019. (Vertical)



Note: Ensure to alternate spacings of fixings for battens and Locator Clips to avoid risk of splitting batten







Building underlay over Apron flashing

Ulltraclad® UA 7401 weatherboards fixed with Locator Clips fixed at Max 600 mm vertical centres with 8g x 2" CSK Sq S/S self tapping screws through batten into dwang / nog

Ulltraclad® Cavity Vent Strip
Alternatively use PVC type

Note: Underlay strips to isolate aluminium from treated timber battens. Refer V00

Cavity batten
Refer V00 Batten Options

Ulltraclad® UA 4863 Vertical Starter. 5 mm diameter drainage hole drilled through base of Vertical Starter at 300 mm centres

Apron flashing with 75 mm up stand cover behind cladding

Turn-down to suit roofing profile

35 MIN clear gap

Note: Ensure to alternate spacings of fixings for battens and Locator Clips to avoid risk of splitting batten

Nog as required

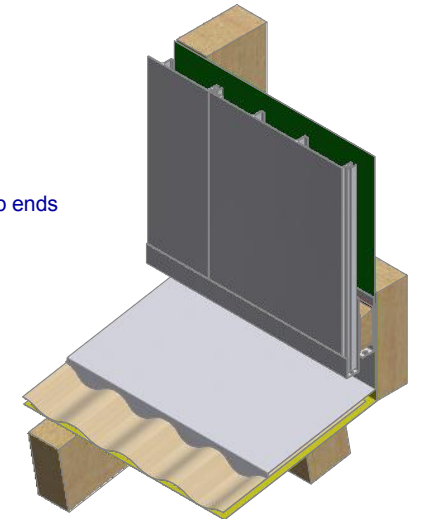
75 mm MIN cover above bottom of weatherboard

110 MIN Total

Roofing underlay turned up under flashing

Selected roofing with stop ends

Flashing length
See Table 7 E2/AS1



ULLTRACLAD[®]
ALUMINIUM WEATHERBOARDS

ULLRICH ALUMINIUM CO LTD
PO Box 98 843 Manukau City Auckland 2241
118 Wiri Station Road Wiri 2104 New Zealand
TL 09 262 6262 Ext. 814 Mob 021 541 563

www.ulltraclad.co.nz

© ULLRICH ALUMINIUM - All Rights Reserved

V19

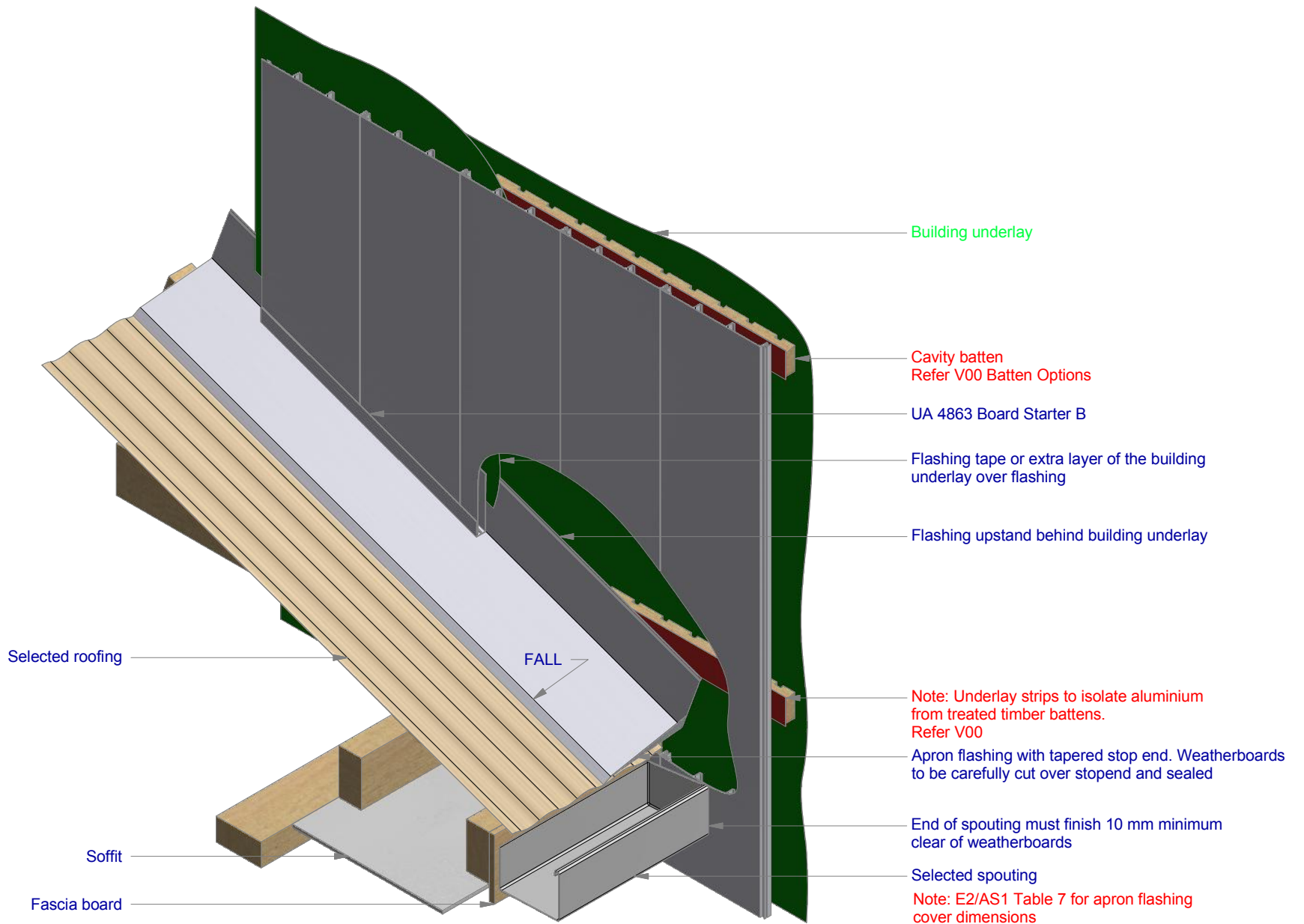
Rev : 10

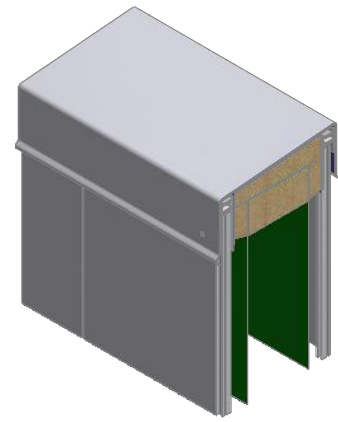
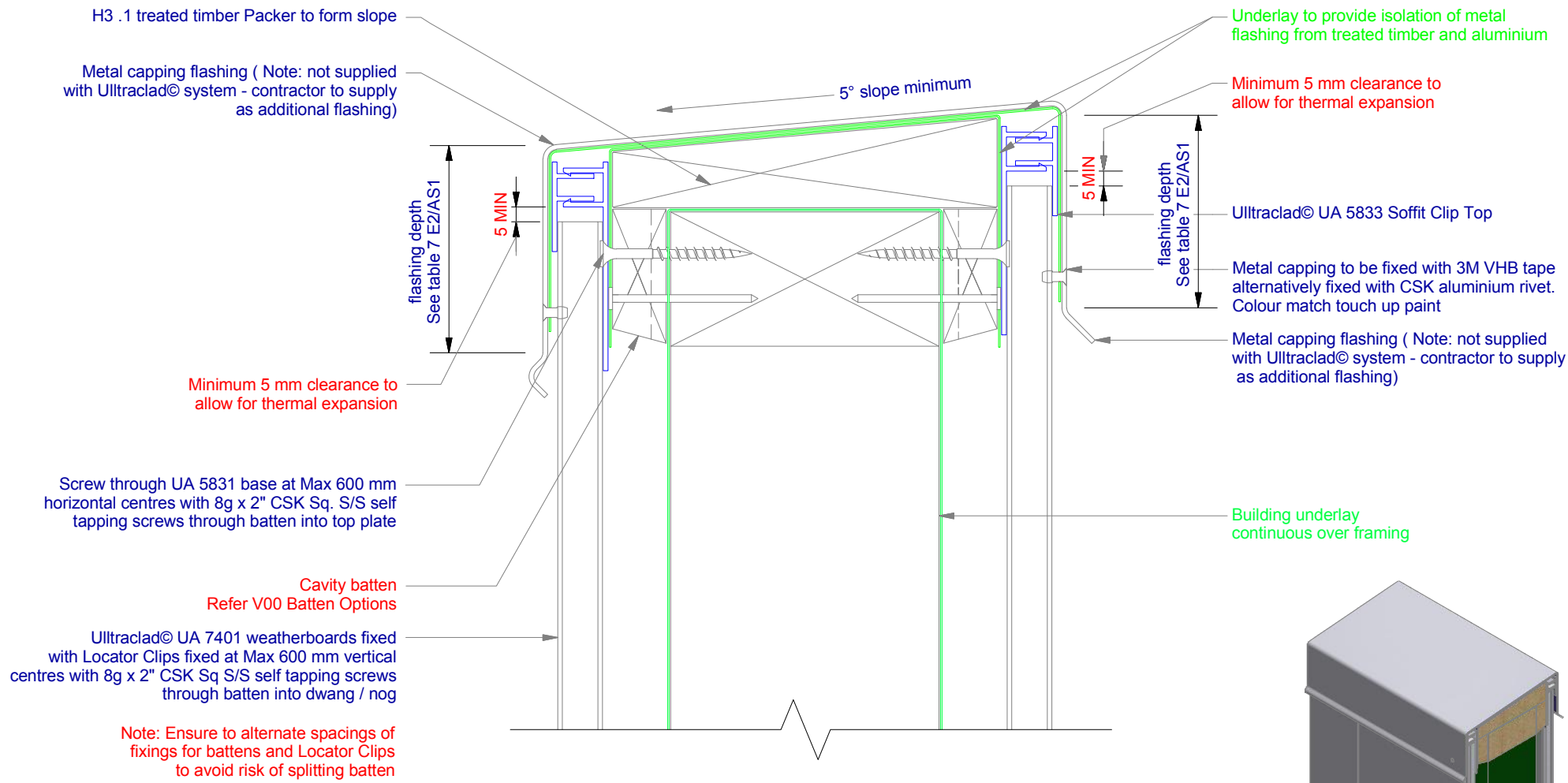
Roof-Wall Junction on Cavity
UA 7401 INFINITY BOARD

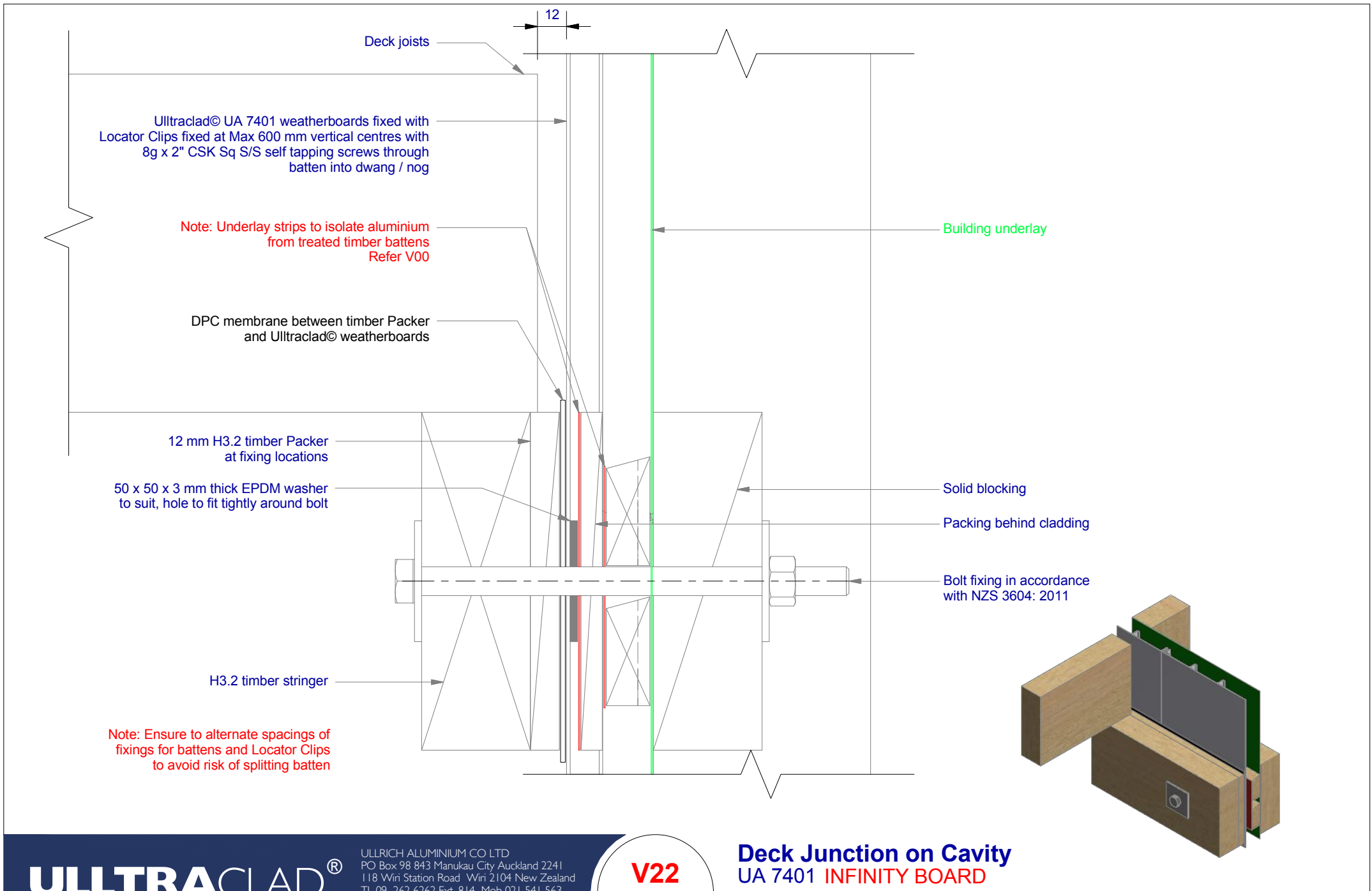
VERTICAL CAVITY SYSTEM

Scale: 1 : 3 @ A4 - 2019

Brnz Appraisal #796 2019. (Vertical)







ULLTRA CLAD[®]
ALUMINIUM WEATHERBOARDS

ULLRICH ALUMINIUM CO LTD
PO Box 98 843 Manukau City Auckland 2241
118 Wiri Station Road Wiri 2104 New Zealand
TL 09 262 6262 Ext. 814 Mob 021 541 563

www.ulltraclad.co.nz
© ULLRICH ALUMINIUM - All Rights Reserved

V22

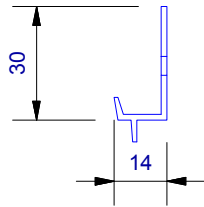
Rev : 10

Deck Junction on Cavity
UA 7401 INFINITY BOARD

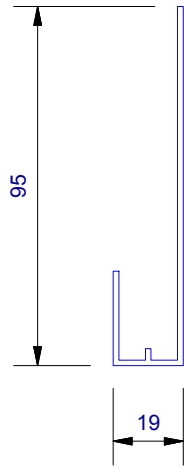
VERTICAL CAVITY SYSTEM
Scale: 1 : 2 @ A4 - 2019

Brnz Appraisal #796 2019. (Vertical)

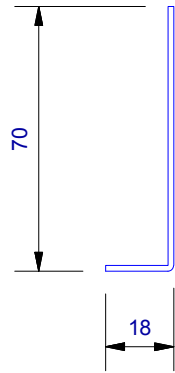
UA 4535
Locator Clip



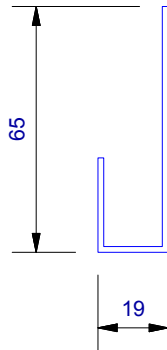
UA 4863
Vertical Board Starter



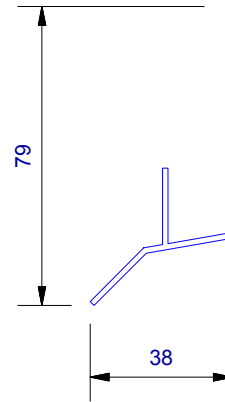
Cavity Vent Strip



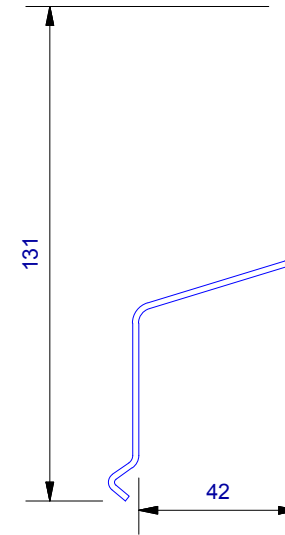
UA 4532
J Moulding



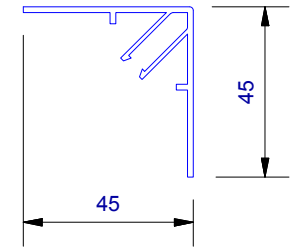
UA 4533
Head Starter



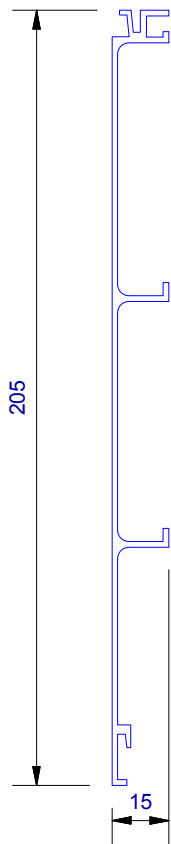
UA 7919
Inter - Storey Flashing



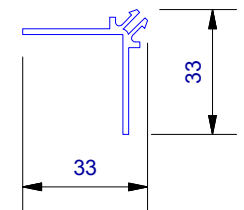
UA 7094
Female Flat Corner



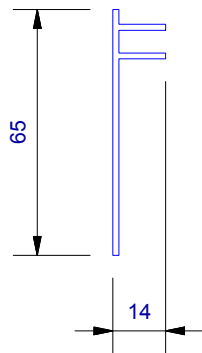
UA 7401
INFINITY BOARD



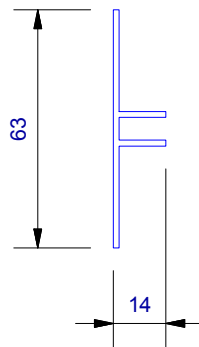
UA 7095
Male Flat Corner



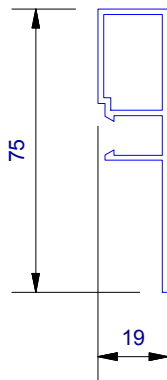
UA 5832
Soffit 65mm Clip Top



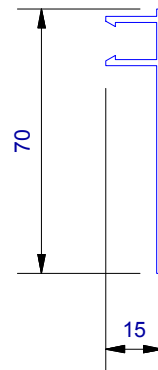
UA 7096
Flat Jointer Top



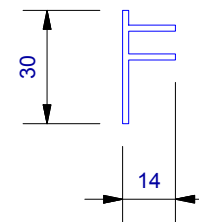
UA 7584
Jamb/Sill Clip Base



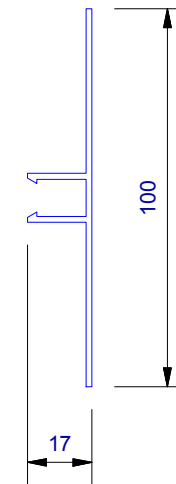
UA 5831
Soffit Clip Base



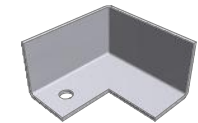
UA 5833
Soffit 30mm Clip Top



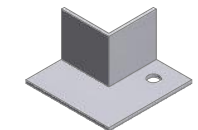
UA 6324
2 Piece Jointer Base



CLADNRCAP
Corner Cap



CLADNRCAPI
Internal Corner Cap (1 : 3)



CLADSTAKECNR
Plastic Staking Corner

