

# UA7726 SHADO 100 BOARD VERTICAL CAVITY SYSTEM

REV: 10 2019

- V00 : Wall Batten Elevation
- V01 : External Corner on Cavity
- V02 : Internal Corner on Cavity
- V03 : 90° deg Corner Cap
- V04 : Vertical Wall Starter
- V05 : No Soffit Detail on Cavity
- V06 : Soffit Detail on Cavity
- V07 : Timber Floor on Cavity
- V08 : Window Head on Cavity
- V09 : Window Jam on Cavity
- V10 : Window Sill on Cavity
- V11 : Sill-Jamb on Cavity
- V12 : Head flashing / Head Starter / Jamb iso
- V13 : Head - Jamb iso
- V14 : Head - Jamb Notching Details
- V15 : Meter Box Head on Cavity
- V16 : Meter Box Jamb on Cavity
- V17 : Meter Box Sill on Cavity
- V18 : Pipe Penetration on Cavity
- V19 : Roof-Wall Junction on Cavity
- V20 : Gutter Wall Junction on Cavity
- V21 : Parapet on Cavity
- V22 : Deck Junction on Cavity
- V23 : Inter-Storey Junction on Cavity
- V24 : Shado 100 Board Profiles

**ULLTRACLAD**<sup>®</sup>  
ALUMINIUM WEATHERBOARDS

ULLRICH ALUMINIUM CO LTD  
PO Box 98 843 Manukau City Auckland 2241  
118 Wiri Station Road Wiri 2104 New Zealand  
TL 09 262 6262 Ext. 814 Mob 021 541 563

[www.ulltraclad.co.nz](http://www.ulltraclad.co.nz)

© ULLRICH ALUMINIUM - All Rights Reserved

**VER**

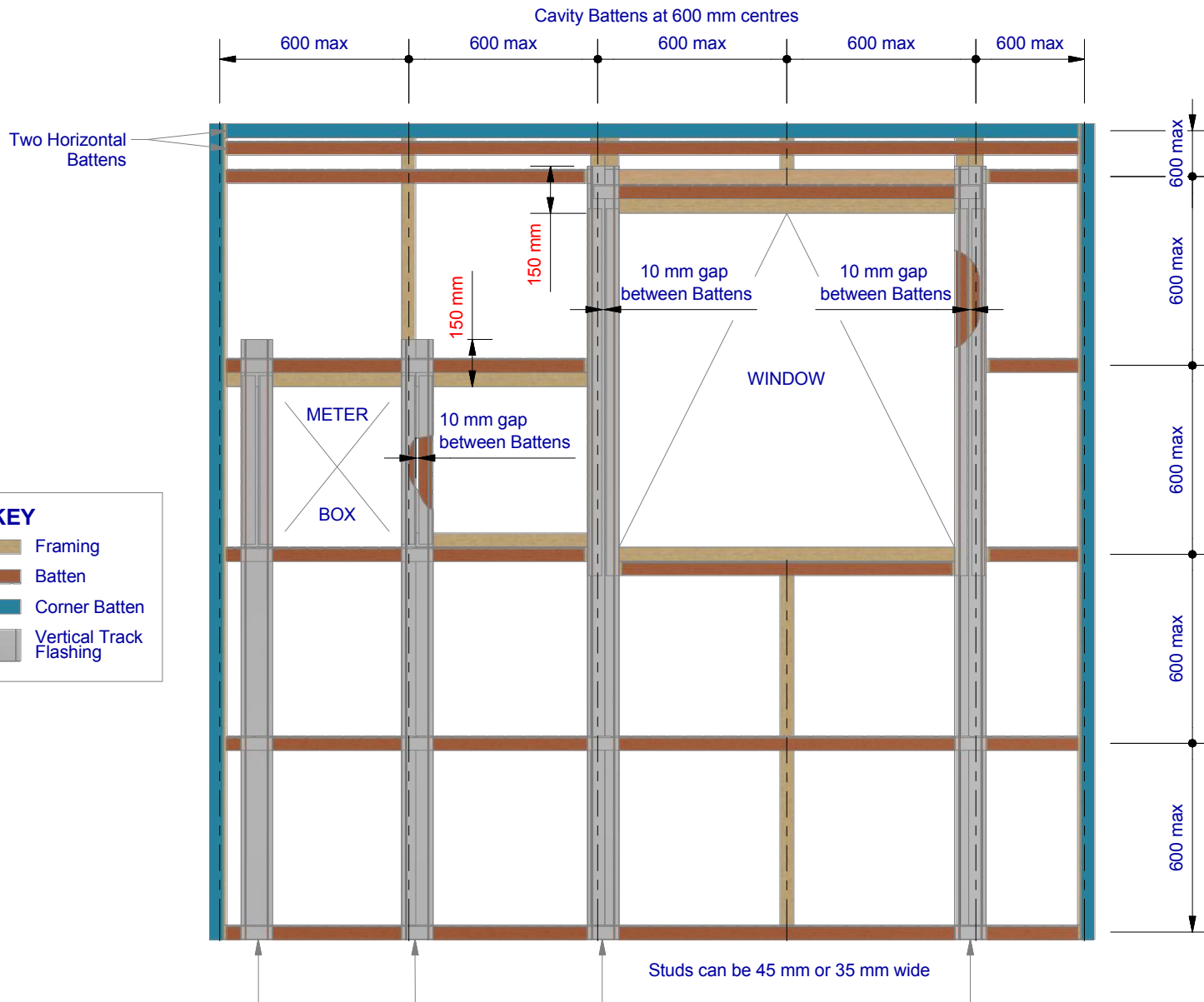
Rev : 10

**UA 7726 SHADO 100 BOARD**





**VERTICAL CAVITY SYSTEM**

Scale: 1 : 1 @ A4 - 2019

Brnz Appraisal #796 2019. (Vertical)



**KEY**

	Framing
	Batten
	Corner Batten
	Vertical Track Flashing

### Batten options

1. Treated timber battens should have castellated profile to permit air passage and minimum 15° slope edge to shed water.

Impervious barrier ( MDPE ) or similar tape between cladding and batten.  
To comply with NZBC E2/AS1 - Table 23.

Note:  
Some machining of vertical battens may be required to avoid "build up".  
i.e. back flashings / tapes

### 2. Cavity plastic Batten

Note:  
packing/shims may be needed to ensure boards are fitted flat without distortion.

\* Additional timber may be required at soffit to support UA 5831 Soffit Base.

### Note: Important

Underlay strips to isolate aluminium from treated timber battens 50 mm wide medium density polyethylene ( MDPE )

To comply with NZBC E2/AS1 - Table 23. Properties of roofing underlays and wall underlays, separates aluminium components and accessories from timber battens treated with copper-based treatments.

Cavity closers required as per NZBC E2/AS1 ( section 9.1.8 )

0.9 x 90mm Aluminium Track Flashing.  
Alternatively use Dynex Dynafash.

Locator Clip UA 4535

Vertical cavity batten (corners only) fixed with 6g x 1.25" CSK Sq S/S pre-drilled screws through batten into dwang / nog

Clearance hole in board larger than screw gauge to allow for thermal expansion

When ripping boards to custom widths use treated timber Packers with isolation strips to replicate leg support

5 MIN

Minimum 5 mm clearance to allow for thermal expansion

Ulltraclad® UA 7094 Female Corner Flashing

Ulltraclad® UA 7095 Male Corner Flashing fixed to timber battens with 30 x 2.5 mm stainless steel clouts at 600 mm vertical centres

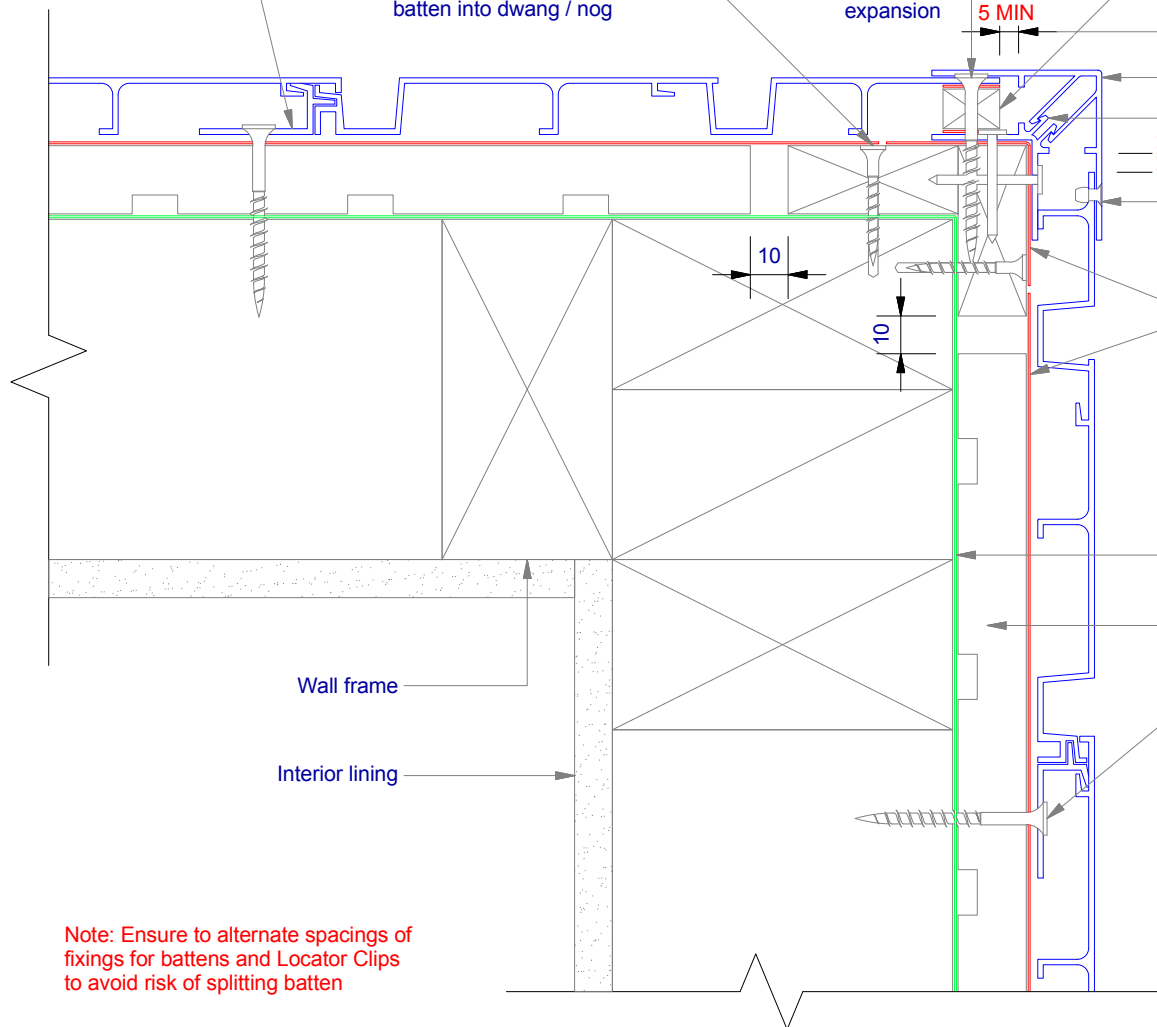
Face fix CSK aluminium Rivet through UA 7094 Female Corner Flashing and UA 7726 weatherboard (vertical). Touch up with colour match paint

Note: Underlay strips to isolate aluminium from treated timber battens Refer V00

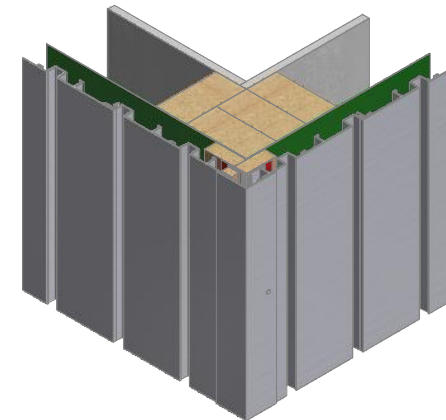
Building underlay continuous around corner

Cavity batten Refer V00 Batten Options

Locator Clips fixed at Max 600 mm vertical centres with 8g x 2" CSK Sq S/S self tapping screws through batten into dwang / nog



Note: Ensure to alternate spacings of fixings for battens and Locator Clips to avoid risk of splitting batten



**ULLTRACLAD**®  
ALUMINIUM WEATHERBOARDS

ULLRICH ALUMINIUM CO LTD  
PO Box 98 843 Manukau City Auckland 2241  
118 Wiri Station Road Wiri 2104 New Zealand  
TL 09 262 6262 Ext. 814 Mob 021 541 563

www.ulltraclad.co.nz

© ULLRICH ALUMINIUM - All Rights Reserved

**V01**

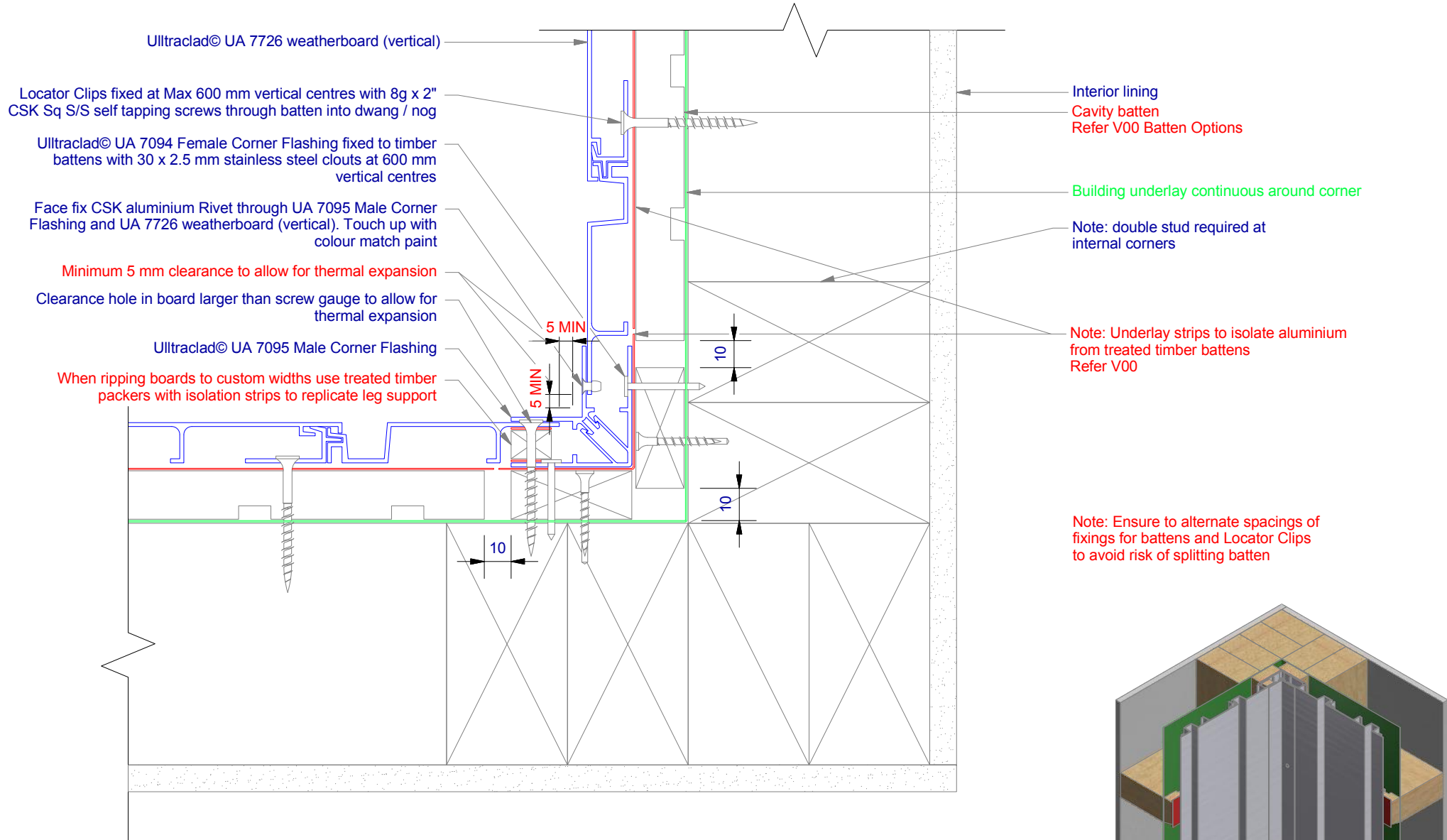
Rev : 10

**External Corner on Cavity**  
**UA 7726 SHADO 100 BOARD**

**VERTICAL CAVITY SYSTEM**

Scale: 1 : 2 @ A4 - 2019

Brnz Appraisal #796 2019. (Vertical)



Ulltraclad® UA 7726 weatherboard (vertical)

Locator Clips fixed at Max 600 mm vertical centres with 8g x 2" CSK Sq S/S self tapping screws through batten into dwang / nog

Ulltraclad® UA 7094 Female Corner Flashing fixed to timber battens with 30 x 2.5 mm stainless steel clouts at 600 mm vertical centres

Face fix CSK aluminium Rivet through UA 7095 Male Corner Flashing and UA 7726 weatherboard (vertical). Touch up with colour match paint

Minimum 5 mm clearance to allow for thermal expansion

Clearance hole in board larger than screw gauge to allow for thermal expansion

Ulltraclad® UA 7095 Male Corner Flashing

When ripping boards to custom widths use treated timber packers with isolation strips to replicate leg support

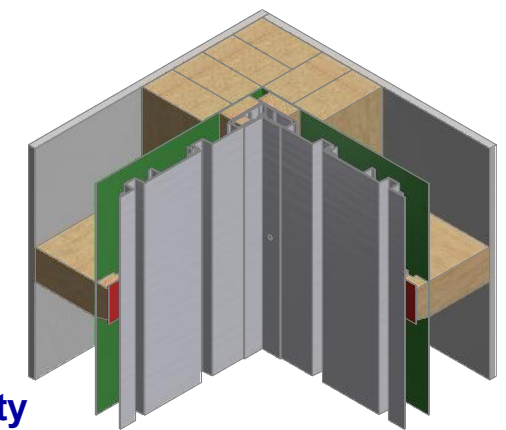
Interior lining  
Cavity batten  
Refer V00 Batten Options

Building underlay continuous around corner

Note: double stud required at internal corners

Note: Underlay strips to isolate aluminium from treated timber battens  
Refer V00

Note: Ensure to alternate spacings of fixings for battens and Locator Clips to avoid risk of splitting batten



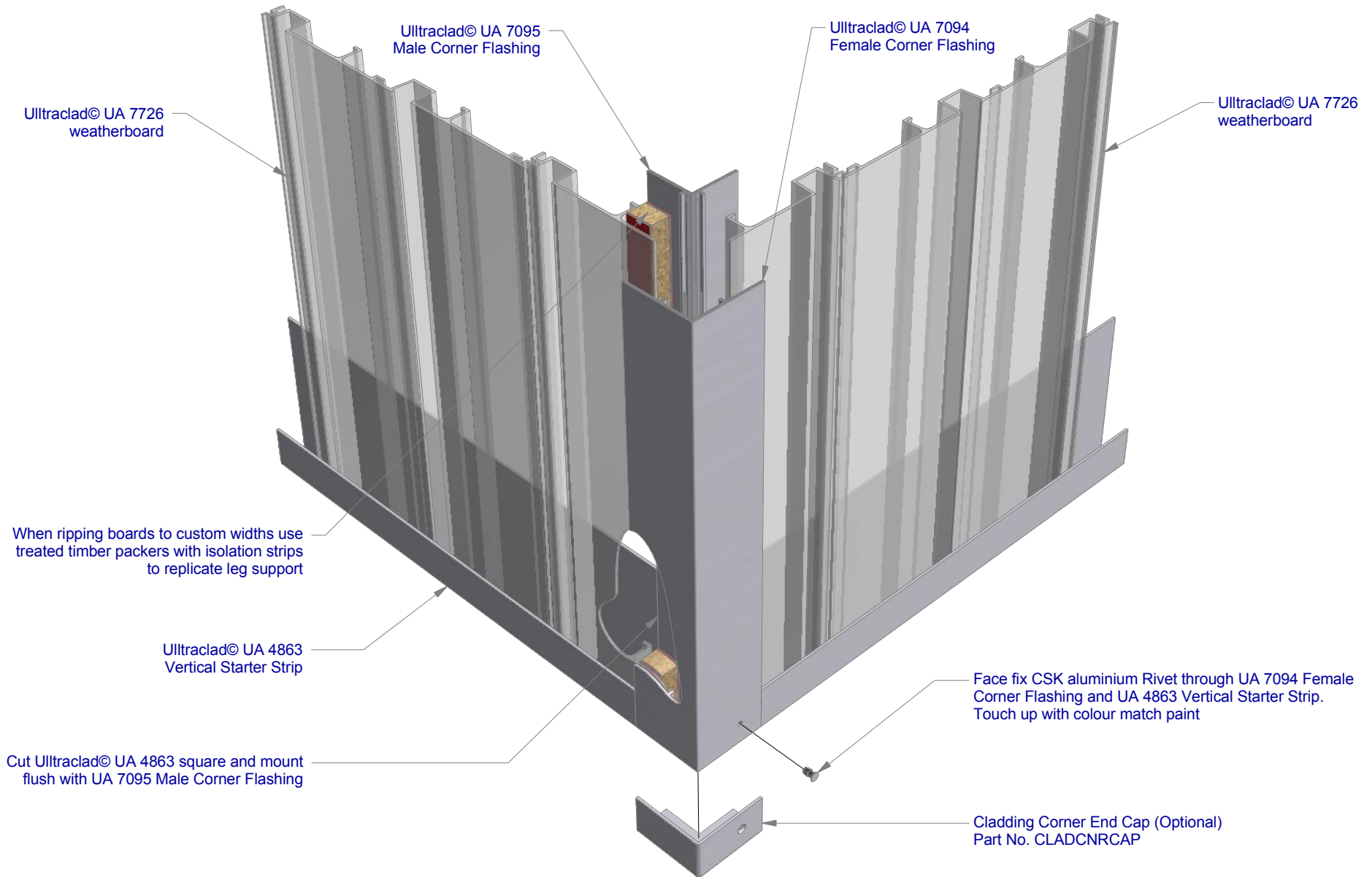
**ULLTRACLAD**<sup>®</sup>  
ALUMINIUM WEATHERBOARDS

ULLRICH ALUMINIUM CO LTD  
PO Box 98 843 Manukau City Auckland 2241  
118 Wiri Station Road Wiri 2104 New Zealand  
TL 09 262 6262 Ext. 814 Mob 021 541 563  
www.ulltraclad.co.nz  
© ULLRICH ALUMINIUM - All Rights Reserved

**V02**  
Rev : 10

**Internal Corner on Cavity**  
**UA 7726 SHADO 100 BOARD**  
**VERTICAL CAVITY SYSTEM**  
Scale: 1 : 2 @ A4 - 2019

Brnz Appraisal #796 2019. (Vertical)



**ULLTRACLAD**<sup>®</sup>  
ALUMINIUM WEATHERBOARDS

ULLRICH ALUMINIUM CO LTD  
PO Box 98 843 Manukau City Auckland 2241  
118 Wiri Station Road Wiri 2104 New Zealand  
TL 09 262 6262 Ext. 814 Mob 021 541 563

www.ulltraclad.co.nz

© ULLRICH ALUMINIUM - All Rights Reserved

**V03**

Rev : 10

**90° deg Corner Cap**  
**UA 7726 SHADO 100 BOARD**

**VERTICAL CAVITY SYSTEM**

Scale: 1 : 3 @ A4 - 2019

Brnz Appraisal #796 2019. (Vertical)

Ulltraclad® UA 7726 weatherboards fixed with Locator Clips fixed at Max 600 mm vertical centres with 8g x 2" CSK Sq S/S self tapping screws through batten into dwang / nog

Note: Underlay strips to isolate aluminium from treated timber battens Refer V00

Cavity batten Refer V00 Batten Options

Ulltraclad® UA 4863 Vertical Starter Strip fixed to bottom plate at 300 mm centres with 8g x 2" CSK Sq S/S self tapping screws

Ulltraclad® Cavity Vent Strip Alternatively use PVC type

Ulltraclad® UA 4863 with 5 mm diameter drainage holes drilled through base of Starter at 300 mm centres

Note: 100 mm minimum to permanent paving or 175 mm to unpaved ground to clause 9.1.3 of E2/AS1

Concrete slab or Blockwork

Finished ground level

Building underlay

Interior lining

Bottom plate over DPC

Note: Ensure to alternate spacings of fixings for battens and Locator Clips to avoid risk of splitting batten

6 mm overhang (optional)

50

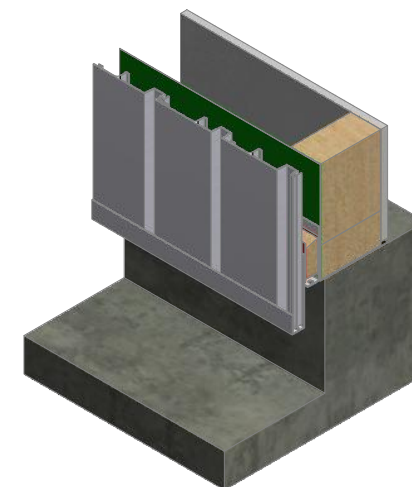
100

**V04**

Rev : 10

**Vertical Wall Starter**  
UA 7726 SHADO 100 BOARD

**VERTICAL CAVITY SYSTEM**  
Scale: 1 : 2 @ A4 - 2019



**ULLTRACLAD®**  
ALUMINIUM WEATHERBOARDS

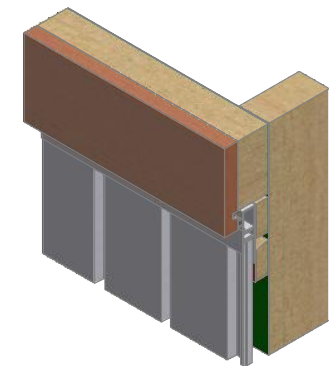
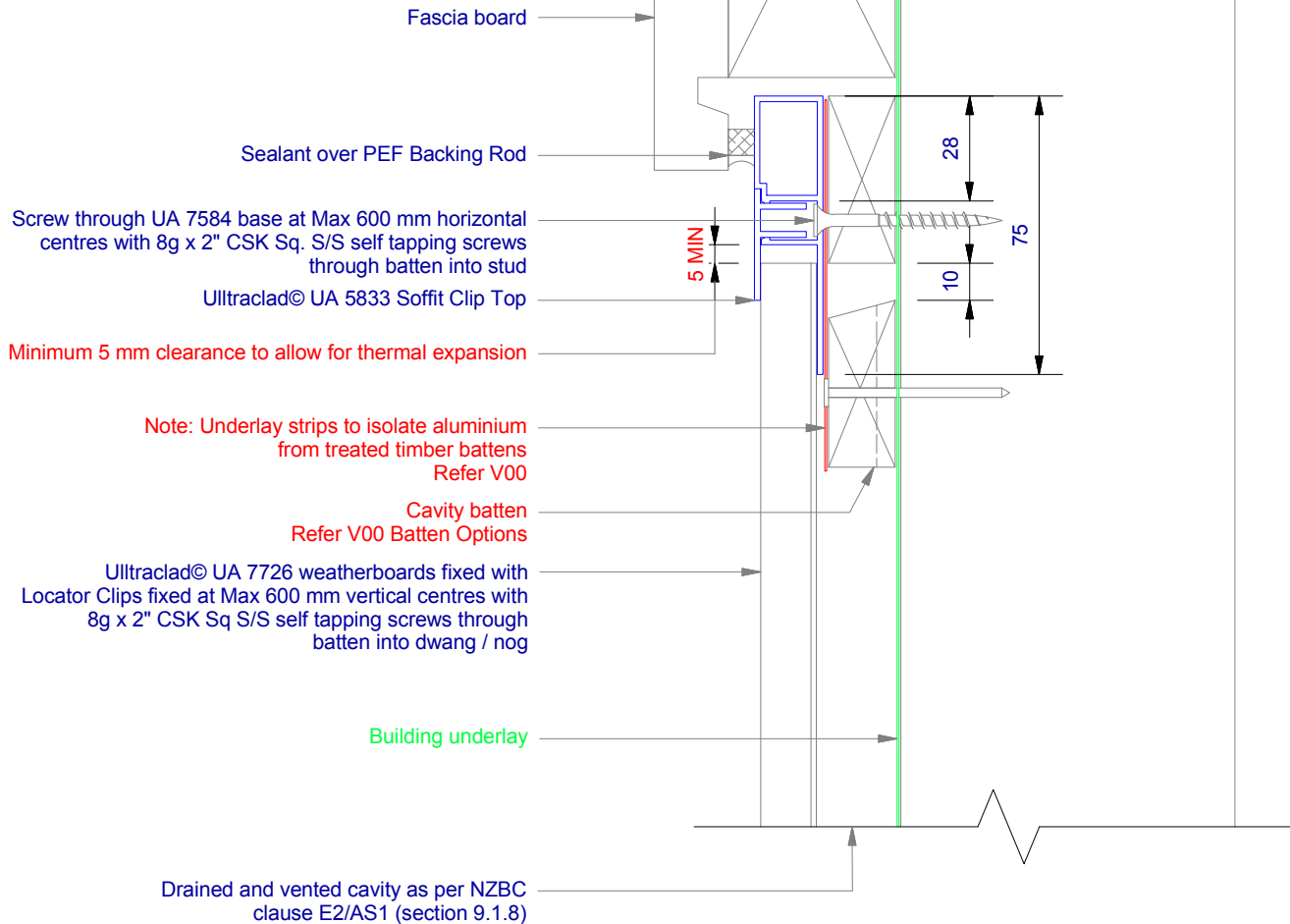
ULLRICH ALUMINIUM CO LTD  
PO Box 98 843 Manukau City Auckland 2241  
118 Wiri Station Road Wiri 2104 New Zealand  
TL 09 262 6262 Ext. 814 Mob 021 541 563

www.ulltraclad.co.nz

© ULLRICH ALUMINIUM - All Rights Reserved

Brnz Appraisal #796 2019. (Vertical)

Note: Ensure to alternate spacings of fixings for battens and Locator Clips to avoid risk of splitting batten



**ULLTRACLAD**<sup>®</sup>  
ALUMINIUM WEATHERBOARDS

ULLRICH ALUMINIUM CO LTD  
PO Box 98 843 Manukau City Auckland 2241  
118 Wiri Station Road Wiri 2104 New Zealand  
TL 09 262 6262 Ext. 814 Mob 021 541 563

www.ulltraclad.co.nz  
© ULLRICH ALUMINIUM - All Rights Reserved

**V05**

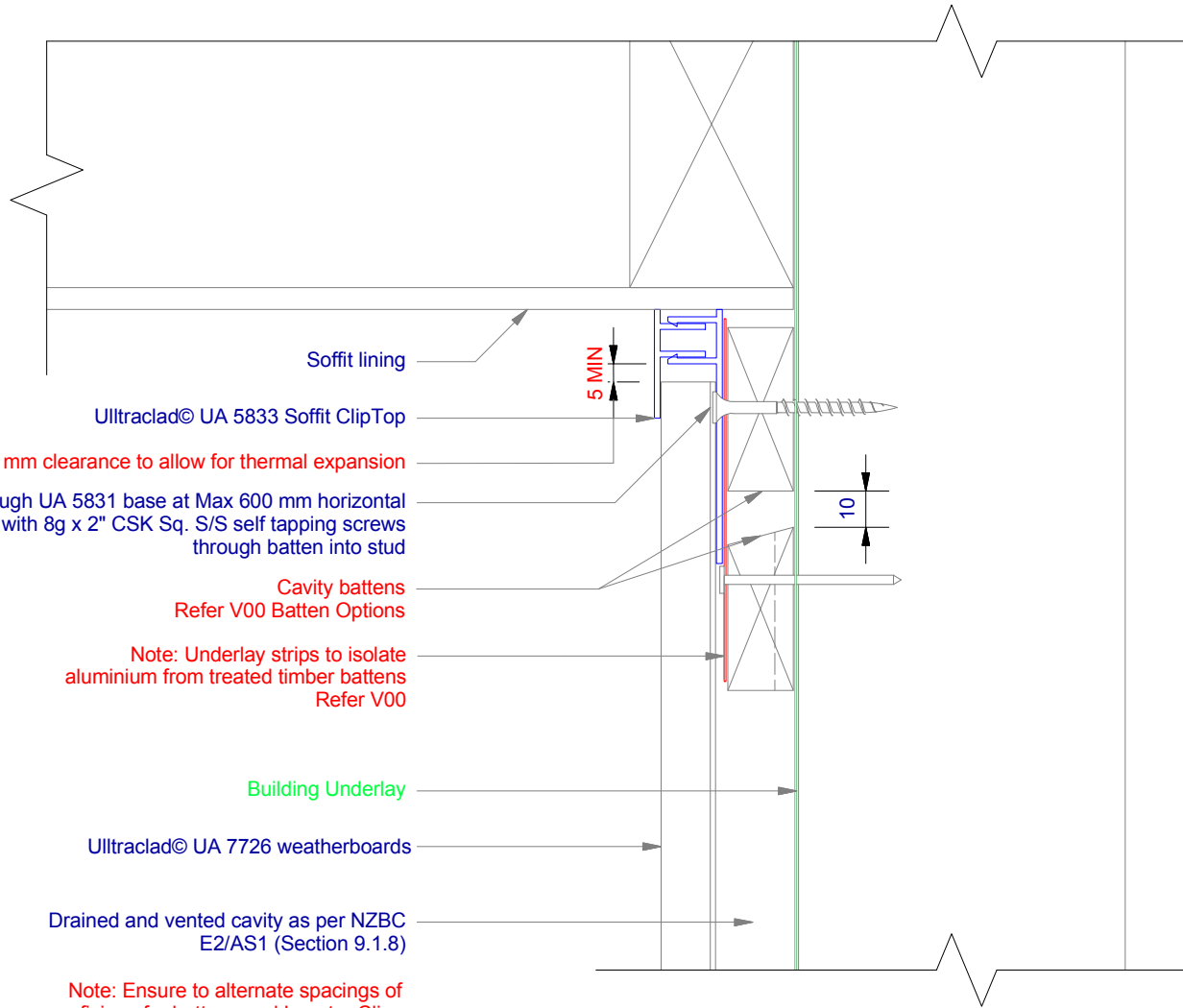
Rev : 10

**No Soffit Detail on Cavity**  
**UA 7726 SHADO 100 BOARD**

**VERTICAL CAVITY SYSTEM**  
Scale: 1 : 2 @ A4 - 2019

Brnz Appraisal #796 2019. (Vertical)





Minimum 5 mm clearance to allow for thermal expansion

Screw through UA 5831 base at Max 600 mm horizontal centres with 8g x 2" CSK Sq. S/S self tapping screws through batten into stud

Cavity battens  
Refer V00 Batten Options

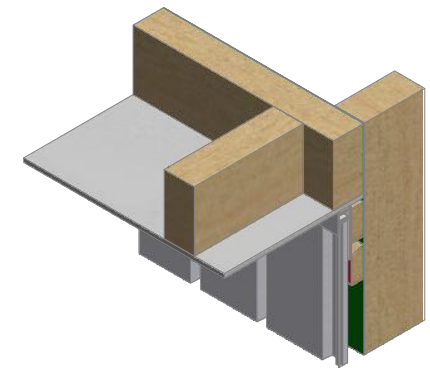
Note: Underlay strips to isolate aluminium from treated timber battens  
Refer V00

Building Underlay

Ulltraclad UA 7726 weatherboards

Drained and vented cavity as per NZBC E2/AS1 (Section 9.1.8)

Note: Ensure to alternate spacings of fixings for battens and Locator Clips to avoid risk of splitting batten



**ULLTRA CLAD**<sup>®</sup>  
ALUMINIUM WEATHERBOARDS

ULLRICH ALUMINIUM CO LTD  
PO Box 98 843 Manukau City Auckland 2241  
118 Wiri Station Road Wiri 2104 New Zealand  
TL 09 262 6262 Ext. 814 Mob 021 541 563

www.ulltraclad.co.nz

© ULLRICH ALUMINIUM - All Rights Reserved

**V06**

Rev : 10

**Soffit Detail on Cavity**  
UA 7726 SHADO 100 BOARD

**VERTICAL CAVITY SYSTEM**

Scale: 1 : 2 @ A4 - 2019

Brnz Appraisal #796 2019. (Vertical)



Ultraclad® UA 7726 weatherboards fixed with Locator Clips fixed at Max 600 mm vertical centres with 8g x 2" CSK Sq S/S self tapping screws through batten into dwang / nog

Interior lining

Bottom plate

Flooring to finish 10 mm back from outside framing

Timber floor structure in accordance with NZS 3604: 2011

Building Underlay

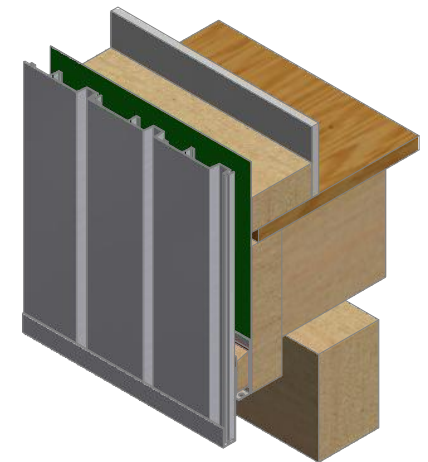
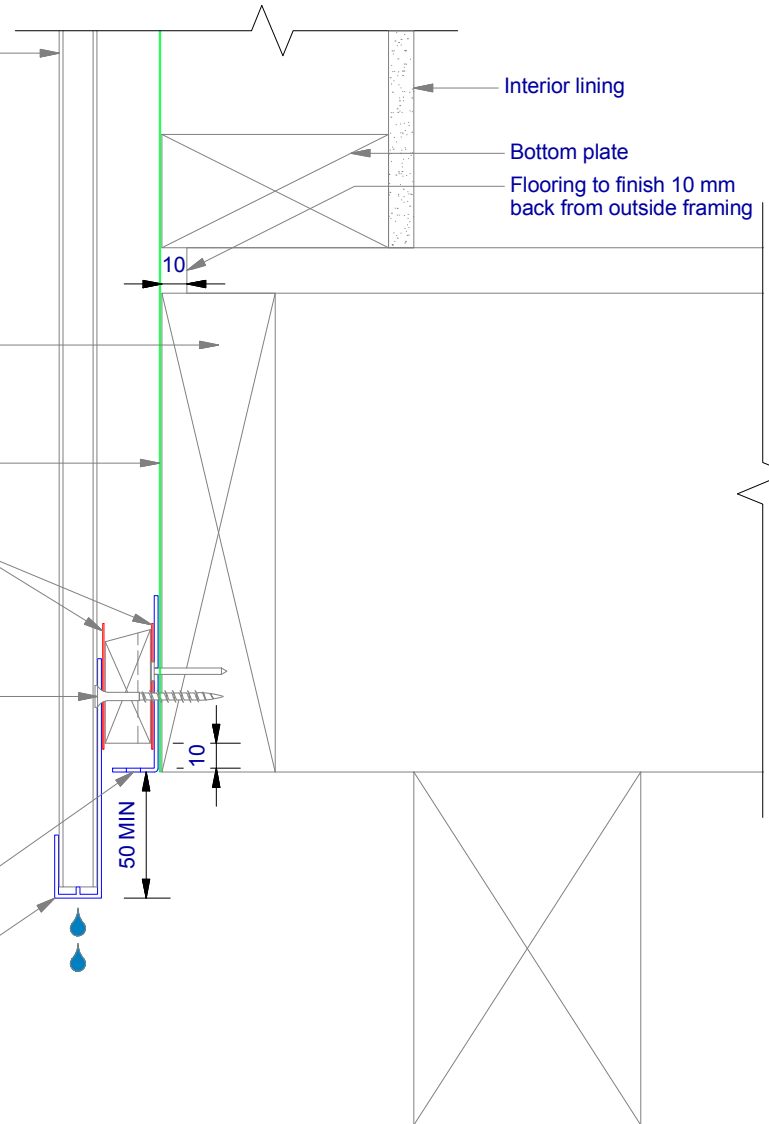
Note: Underlay strips to isolate aluminium from treated timber battens Refer V00

Ultraclad® UA 4863 Vertical Starter Strip fixed to floor joist at 300 mm centres with 8g x 2" CSK Sq. S/S self tapping screws

Ultraclad® Cavity Vent Strip Alternatively use PVC type

Ultraclad® UA 4863 with 5 mm diameter drainage holes drilled through base of Starter at 300 mm centres

Note: Ensure to alternate spacings of fixings for battens and Locator Clips to avoid risk of splitting batten



**ULLTRACLAD®**  
ALUMINIUM WEATHERBOARDS

ULLRICH ALUMINIUM CO LTD  
PO Box 98 843 Manukau City Auckland 2241  
118 Wiri Station Road Wiri 2104 New Zealand  
TL 09 262 6262 Ext. 814 Mob 021 541 563

www.ulltraclad.co.nz

© ULLRICH ALUMINIUM - All Rights Reserved

**V07**

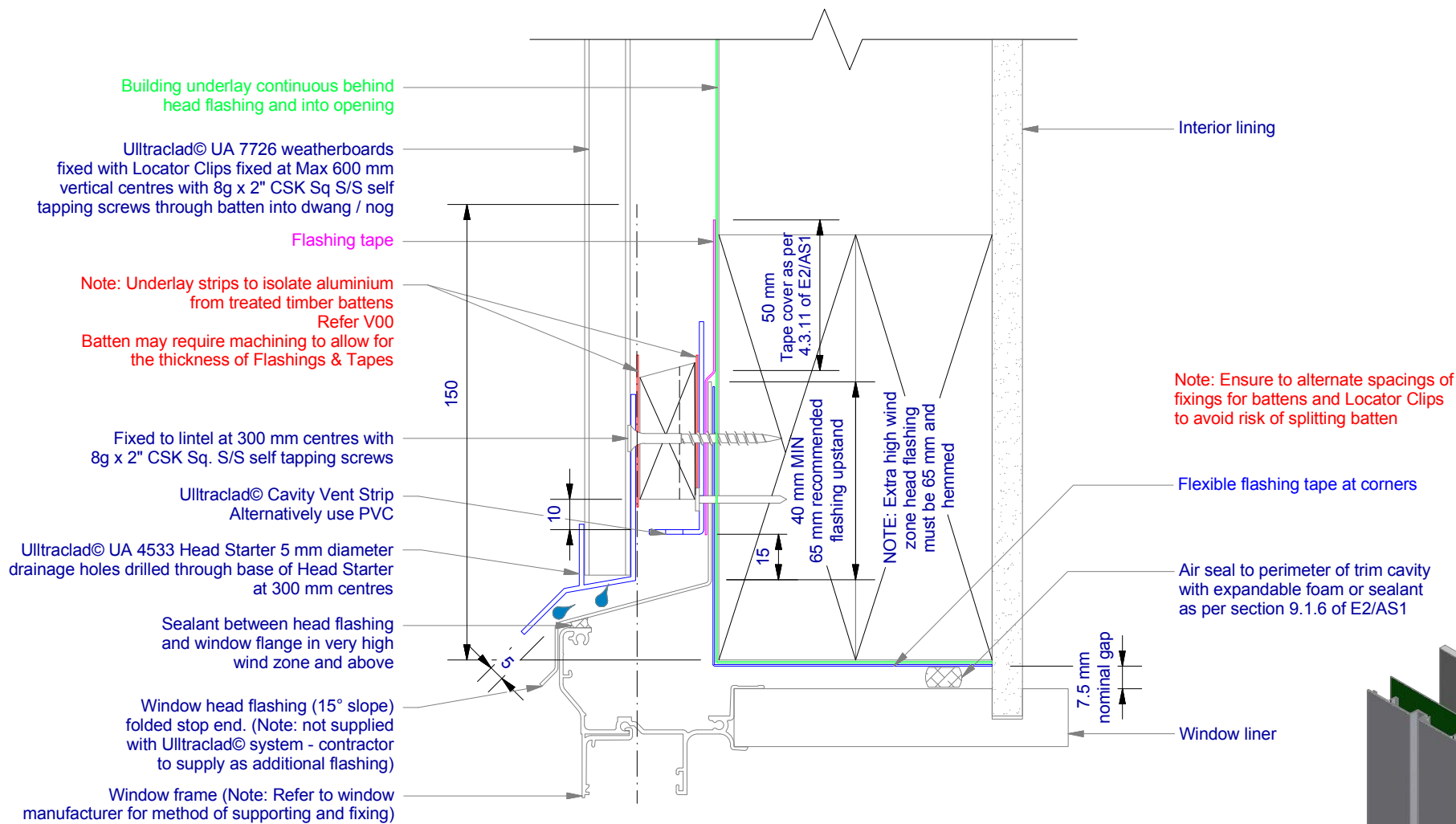
Rev : 10

**Timber Floor on Cavity**  
**UA 7726 SHADO 100 BOARD**

**VERTICAL CAVITY SYSTEM**

Scale: 1 : 3 @ A4 - 2019

Brnz Appraisal #796 2019. (Vertical)



Building underlay continuous behind head flashing and into opening

Ultraclad® UA 7726 weatherboards fixed with Locator Clips fixed at Max 600 mm vertical centres with 8g x 2" CSK Sq S/S self tapping screws through batten into dwang / nog

Flashing tape

Note: Underlay strips to isolate aluminium from treated timber battens Refer V00

Batten may require machining to allow for the thickness of Flashings & Tapes

Fixed to lintel at 300 mm centres with 8g x 2" CSK Sq. S/S self tapping screws

Ultraclad® Cavity Vent Strip Alternatively use PVC

Ultraclad® UA 4533 Head Starter 5 mm diameter drainage holes drilled through base of Head Starter at 300 mm centres

Sealant between head flashing and window flange in very high wind zone and above

Window head flashing (15° slope) folded stop end. (Note: not supplied with Ultraclad® system - contractor to supply as additional flashing)

Window frame (Note: Refer to window manufacturer for method of supporting and fixing)

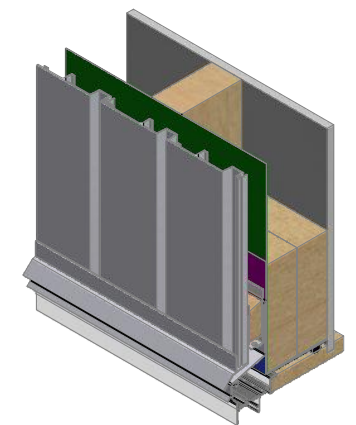
Interior lining

Note: Ensure to alternate spacings of fixings for battens and Locator Clips to avoid risk of splitting batten

Flexible flashing tape at corners

Air seal to perimeter of trim cavity with expandable foam or sealant as per section 9.1.6 of E2/AS1

Window liner



**ULLTRACLAD®**  
ALUMINIUM WEATHERBOARDS

ULLRICH ALUMINIUM CO LTD  
PO Box 98 843 Manukau City Auckland 2241  
118 Wiri Station Road Wiri 2104 New Zealand  
TL 09 262 6262 Ext. 814 Mob 021 541 563

www.ulltracalad.co.nz

© ULLRICH ALUMINIUM - All Rights Reserved

**V08**

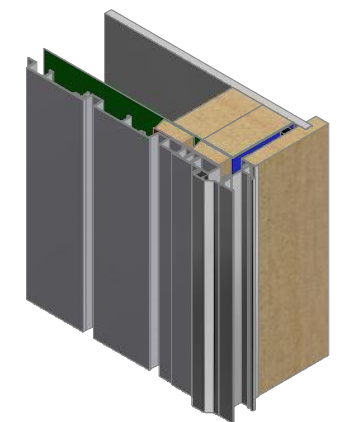
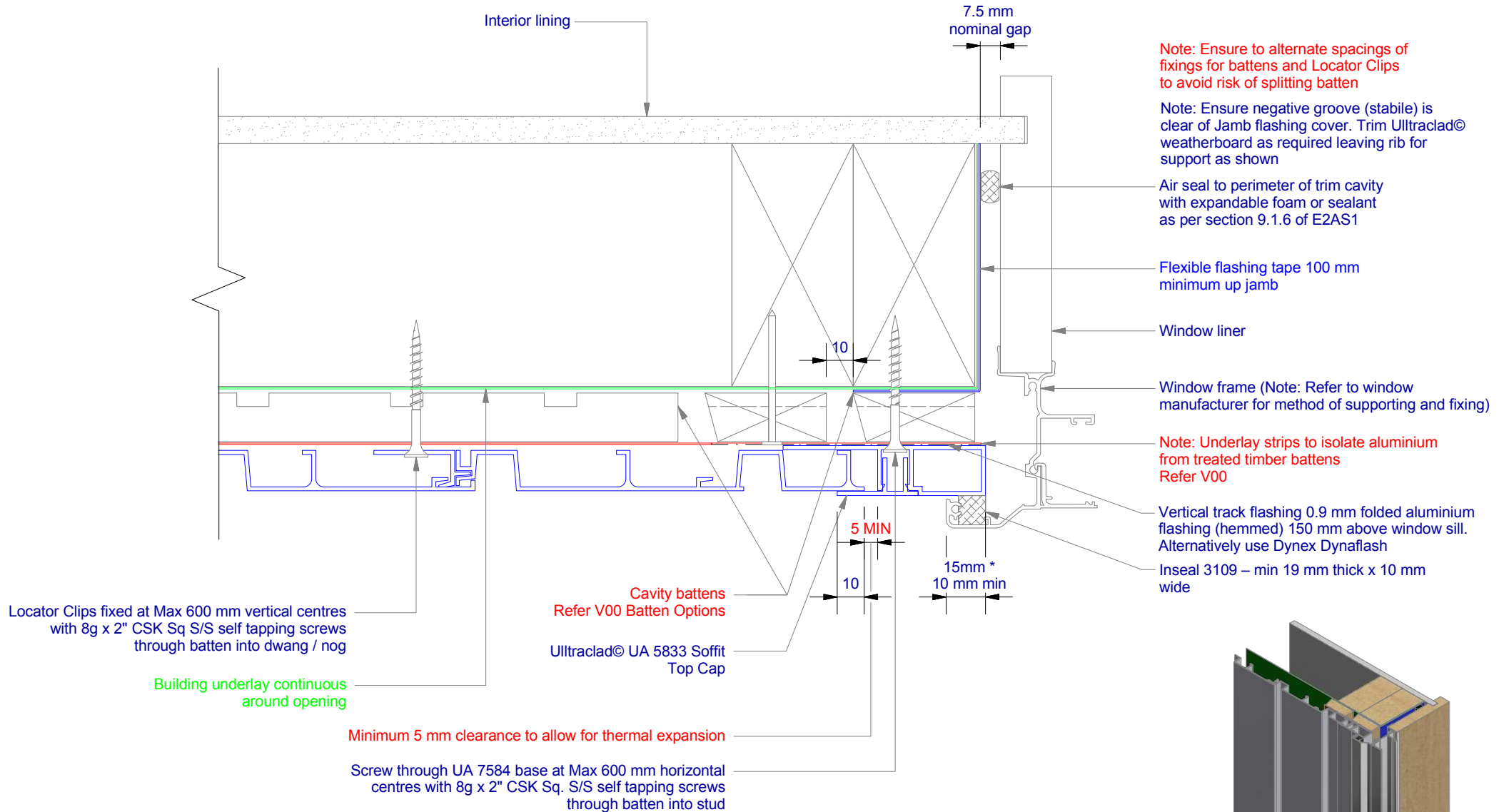
Rev : 10

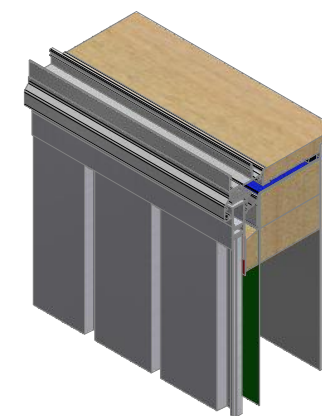
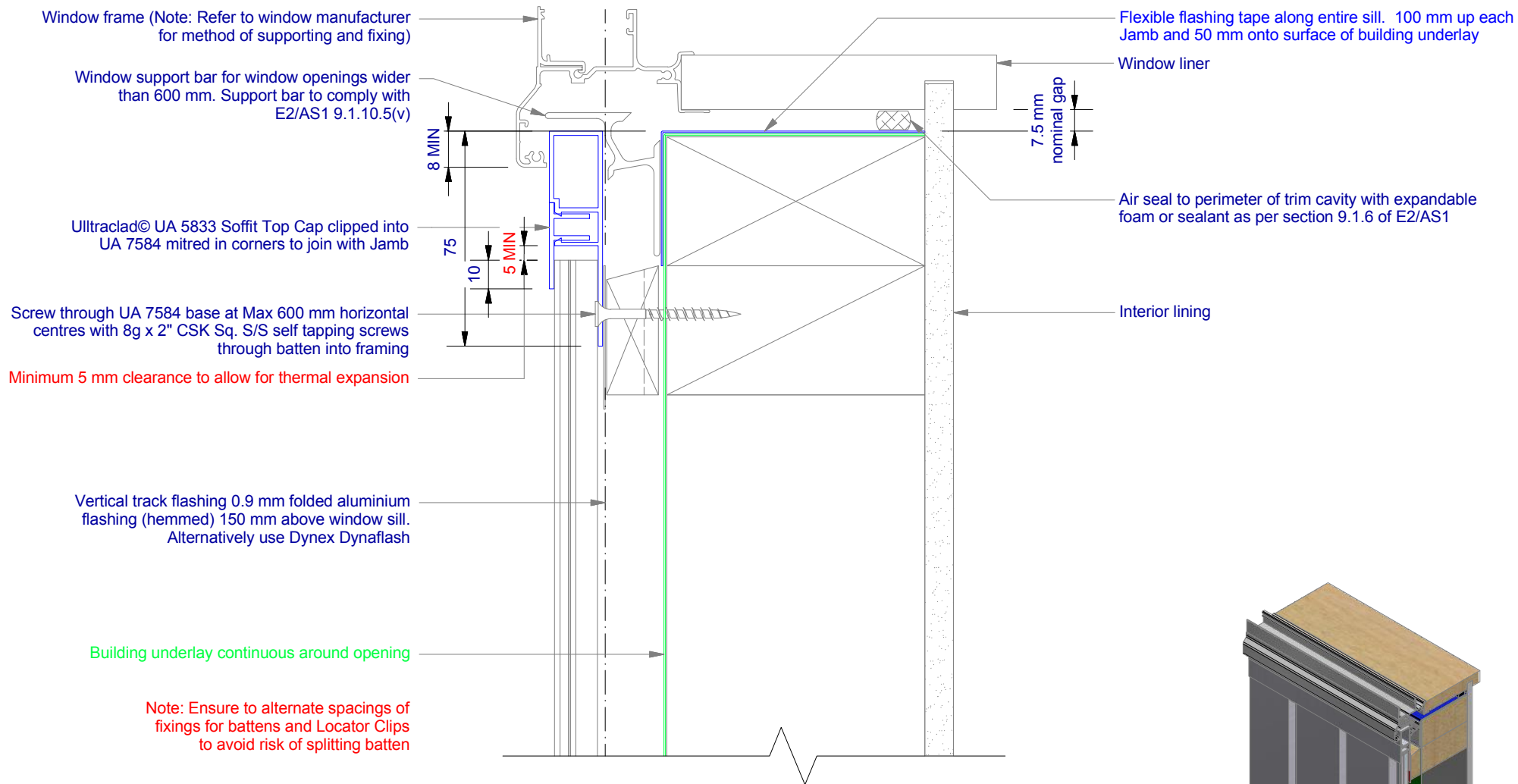
**Window Head on Cavity**  
**UA 7726 SHADO 100 BOARD**

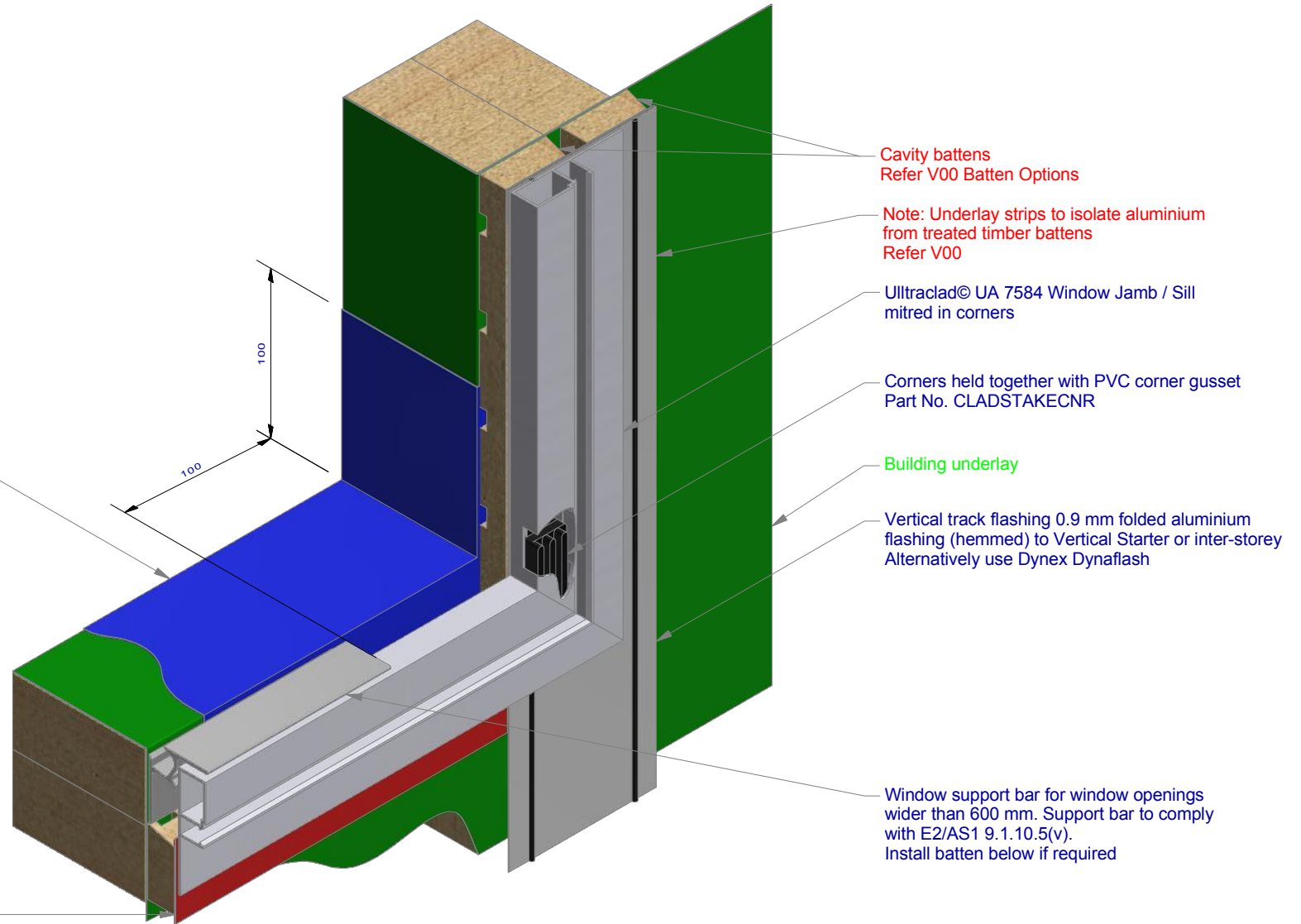
**VERTICAL CAVITY SYSTEM**

Scale: 1 : 2 @ A4 - 2019

Brnz Appraisal #796 2019. (Vertical)







Flexible flashing tape along sill to continue 50 mm onto face of wall and 100 minimum up each Jamb

Cavity battens  
Refer V00 Batten Options

Note: Underlay strips to isolate aluminium from treated timber battens  
Refer V00

Ulltraclad® UA 7584 Window Jamb / Sill mitred in corners

Corners held together with PVC corner gusset Part No. CLADSTAKECNR

Building underlay

Vertical track flashing 0.9 mm folded aluminium flashing (hemmed) to Vertical Starter or inter-storey Alternatively use Dynex Dynaflash

Window support bar for window openings wider than 600 mm. Support bar to comply with E2/AS1 9.1.10.5(v). Install batten below if required

Note: Underlay strips to isolate aluminium from treated timber battens  
Refer V00

**ULLTRACLAD**®  
ALUMINIUM WEATHERBOARDS

ULLRICH ALUMINIUM CO LTD  
PO Box 98 843 Manukau City Auckland 2241  
118 Wiri Station Road Wiri 2104 New Zealand  
TL 09 262 6262 Ext. 814 Mob 021 541 563

www.ulltraclad.co.nz

© ULLRICH ALUMINIUM - All Rights Reserved

**V11**

Rev : 10

**Sill-Jamb on Cavity**  
**UA 7726 SHADO 100 BOARD**

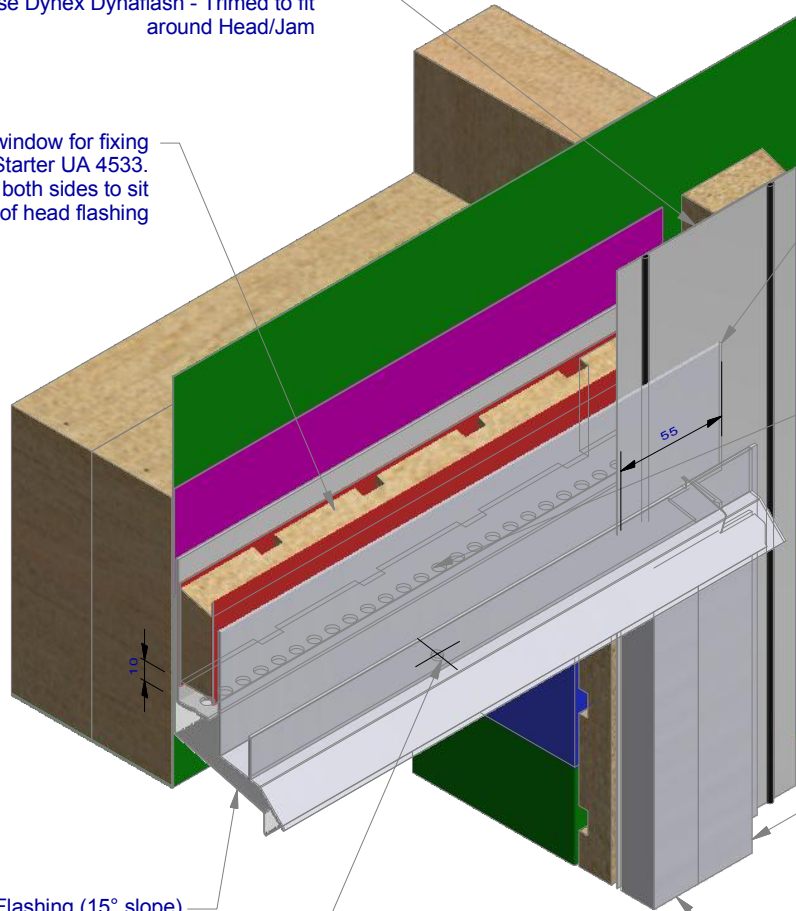
**VERTICAL CAVITY SYSTEM**

Scale: 1 : 3 @ A4 - 2019

Brnz Appraisal #796 2019. (Vertical)

Vertical track flashing 0.9 mm folded aluminium flashing (hemmed) to 150 mm above window head. Alternatively use Dynex Dynaflash - Trimmed to fit around Head/Jam

Battens above window for fixing window head Starter UA 4533. Outer batten both sides to sit inside stopend of head flashing



Ulltraclad® UA 4533 Head Starter

Ulltraclad® Cavity Vent Strip Alternatively use PVC

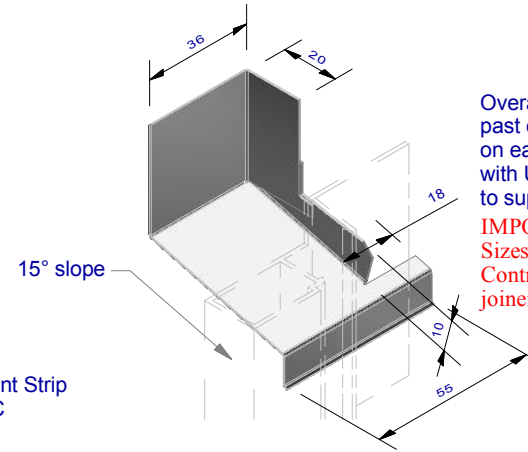
Ulltraclad® UA 5833 Soffit Clip Top

Ulltraclad® UA 7584 Jamb Flashing

Window Head Flashing (15° slope) folded stop end. (Note: not supplied with Ulltraclad® system - contractor to supply as additional flashing)

Ulltraclad® UA 4533 Head Starter 5 mm diameter drainage holes drilled through base of Head Starter at 300 mm centres

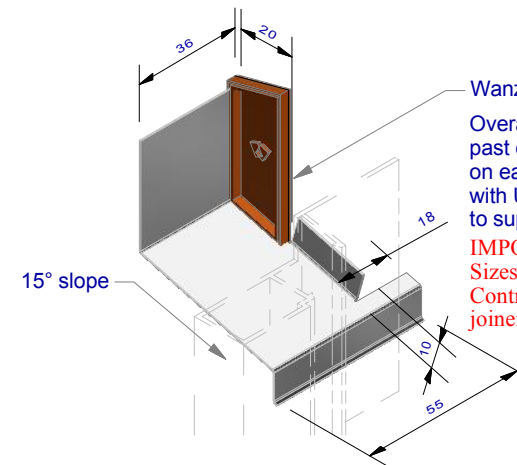
### Window Head Flashing Option 1 Cut & Fold Stop End ( 1 : 2 )



Overall Head Flashing length = +40 mm past edge of window and door joinery on each side. (Note: not supplied with Ulltraclad® system - contractor to supply as additional flashing)

**IMPORTANT:**  
Sizes shown are indicative only!  
Contractor to confirm onsite as joinery suites may vary.

### Window Head Flashing Option 2 Wanz Plastic Stop End Cap ( 1 : 2 )

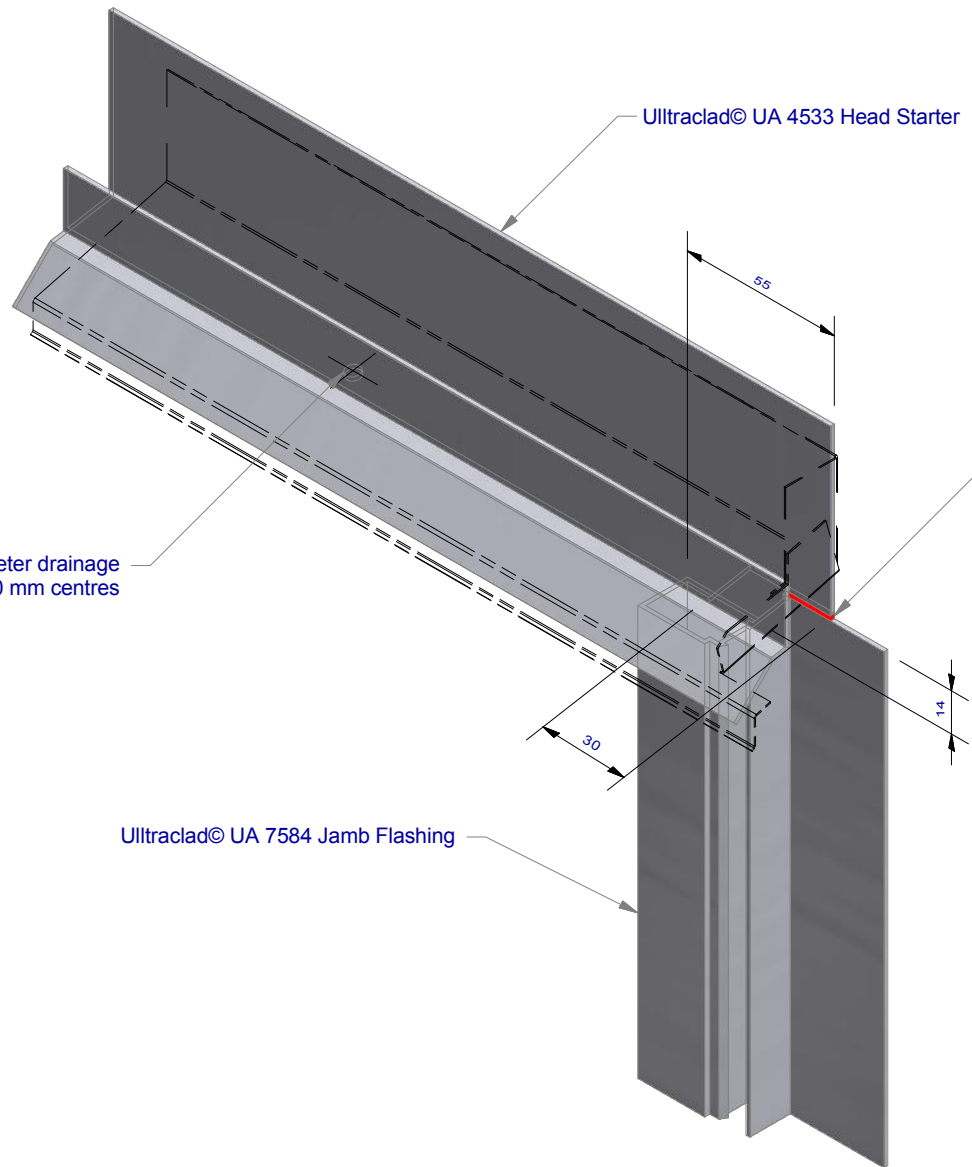


Wanz Plastic Stop End

Overall Head Flashing length = +40 mm past edge of window and door joinery on each side. (Note: not supplied with Ulltraclad® system - contractor to supply as additional flashing)

**IMPORTANT:**  
Sizes shown are indicative only!  
Contractor to confirm onsite as joinery suites may vary.





Ulltraclad© UA 4533 Head Starter

**IMPORTANT:**  
 Sizes shown are indicative only!  
 Contractor to confirm onsite as  
 joinery suites may vary.

Applying sealant before fitting UA 4533  
 sealant at facade

Note: Ulltraclad© UA 4533 Head Starter to extend  
 40 mm past edge of window or door joinery.  
 Building underlay, flashing tape and UA 5833  
 omitted for clarity

Ulltraclad© UA 4533 Head Starter 5 mm diameter drainage  
 holes drilled through base of Head Starter at 300 mm centres

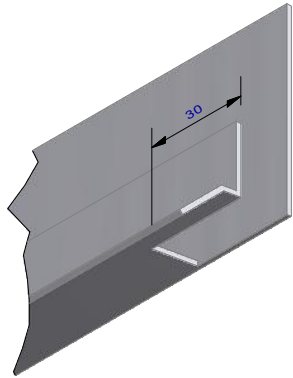
Ulltraclad© UA 7584 Jamb Flashing



Ultraclad® UA 4533 Head Starter 5 mm diameter drainage holes drilled through base of Head Starter at 300 mm centres

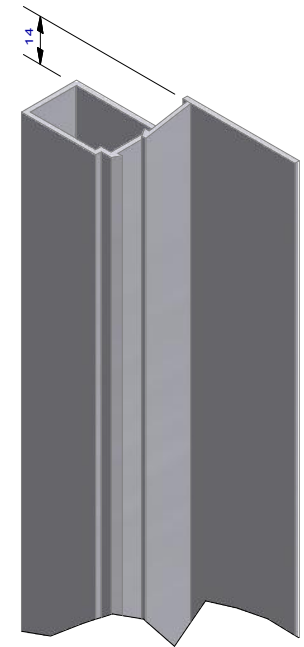
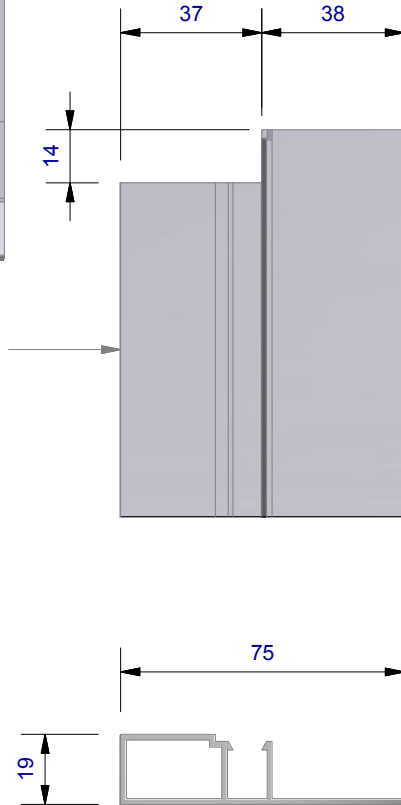


**IMPORTANT:**  
 Sizes shown are indicative only!  
 Contractor to confirm onsite as  
 joinery suites may vary.



Ultraclad® UA 4533  
 Head Starter

Ultraclad® UA 7584  
 Jamb Flashing



**ULLTRACLAD**®  
 ALUMINIUM WEATHERBOARDS

ULLRICH ALUMINIUM CO LTD  
 PO Box 98 843 Manukau City Auckland 2241  
 118 Wiri Station Road Wiri 2104 New Zealand  
 TL 09 262 6262 Ext. 814 Mob 021 541 563  
 www.ulltraclad.co.nz  
 © ULLRICH ALUMINIUM - All Rights Reserved

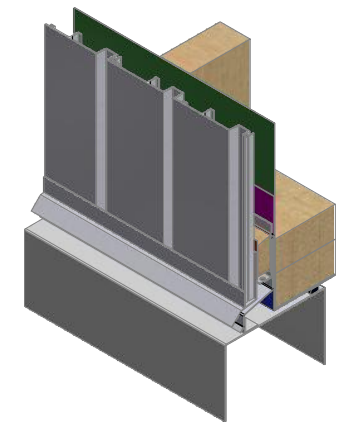
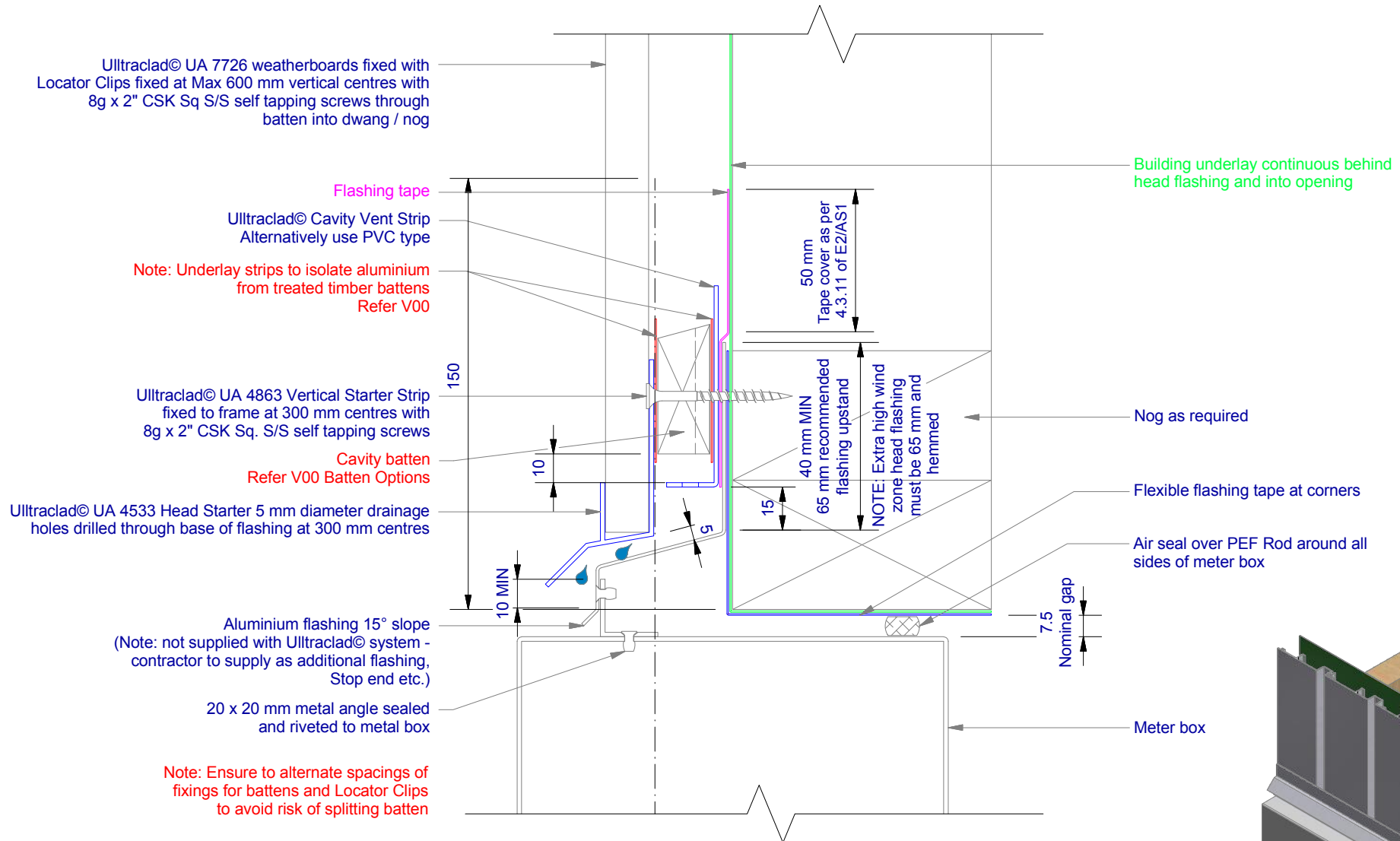
**V14**

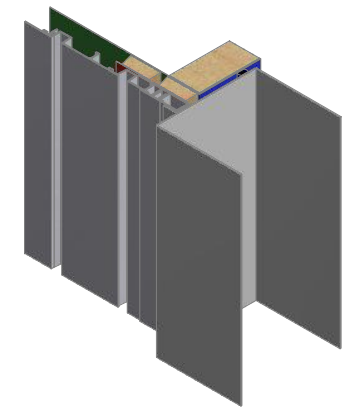
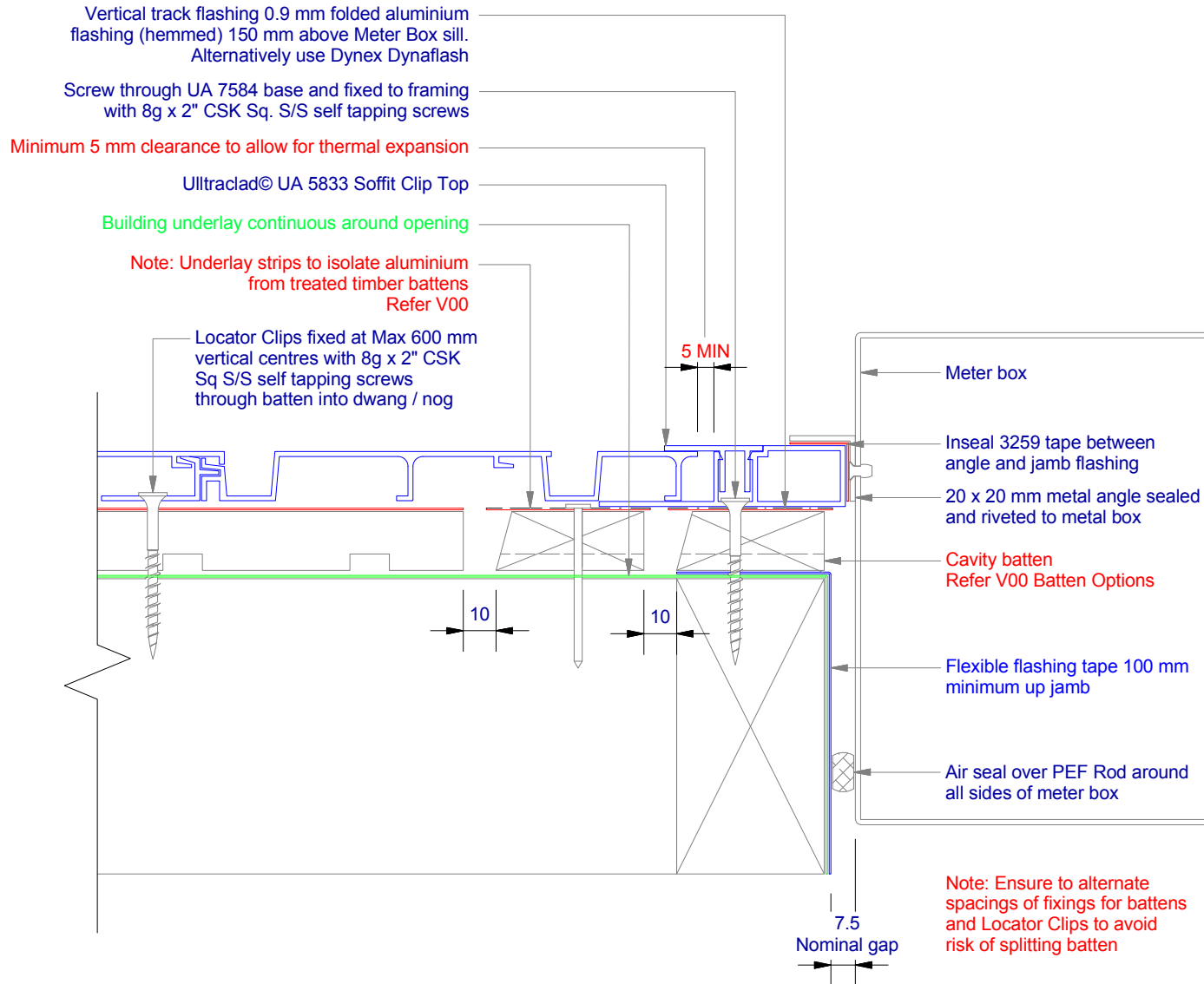
Rev : 10

**Head - Jamb Notching Details**  
 UA 7726 SHADO 100 BOARD

**VERTICAL CAVITY SYSTEM**  
 Scale: 1 : 2 @ A4 - 2019

Branz Appraisal #796 2019. (Vertical)





**ULLTRACLAD®**  
ALUMINIUM WEATHERBOARDS

ULLRICH ALUMINIUM CO LTD  
PO Box 98 843 Manukau City Auckland 2241  
118 Wiri Station Road Wiri 2104 New Zealand  
TL 09 262 6262 Ext. 814 Mob 021 541 563

www.ulltraclad.co.nz

© ULLRICH ALUMINIUM - All Rights Reserved

**V16**

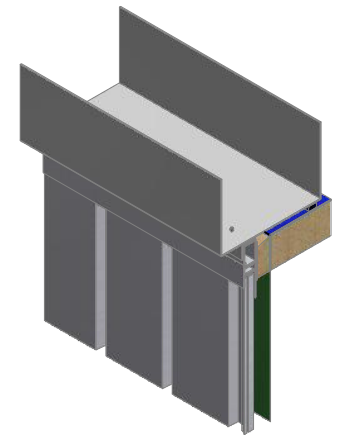
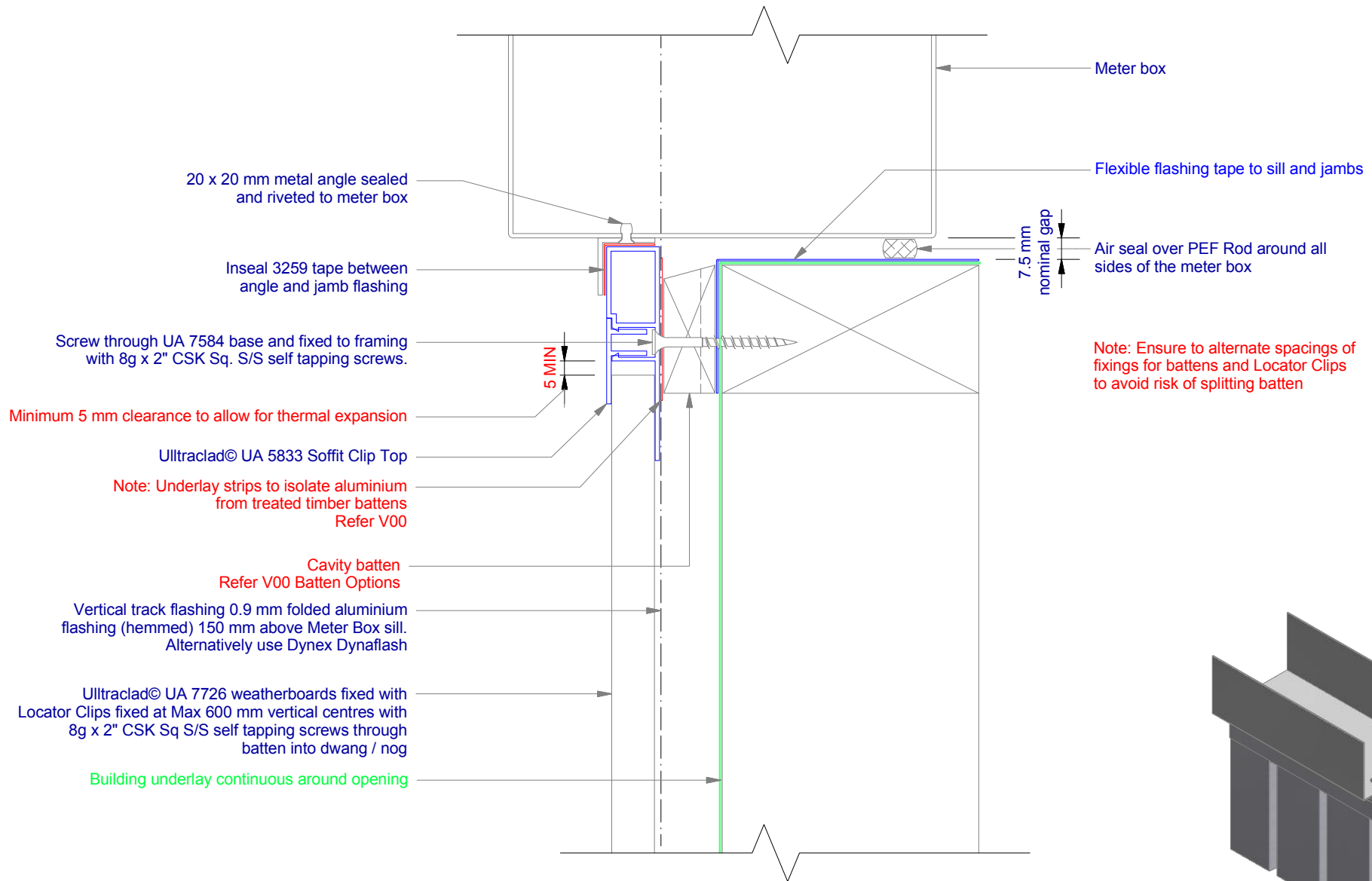
Rev : 10

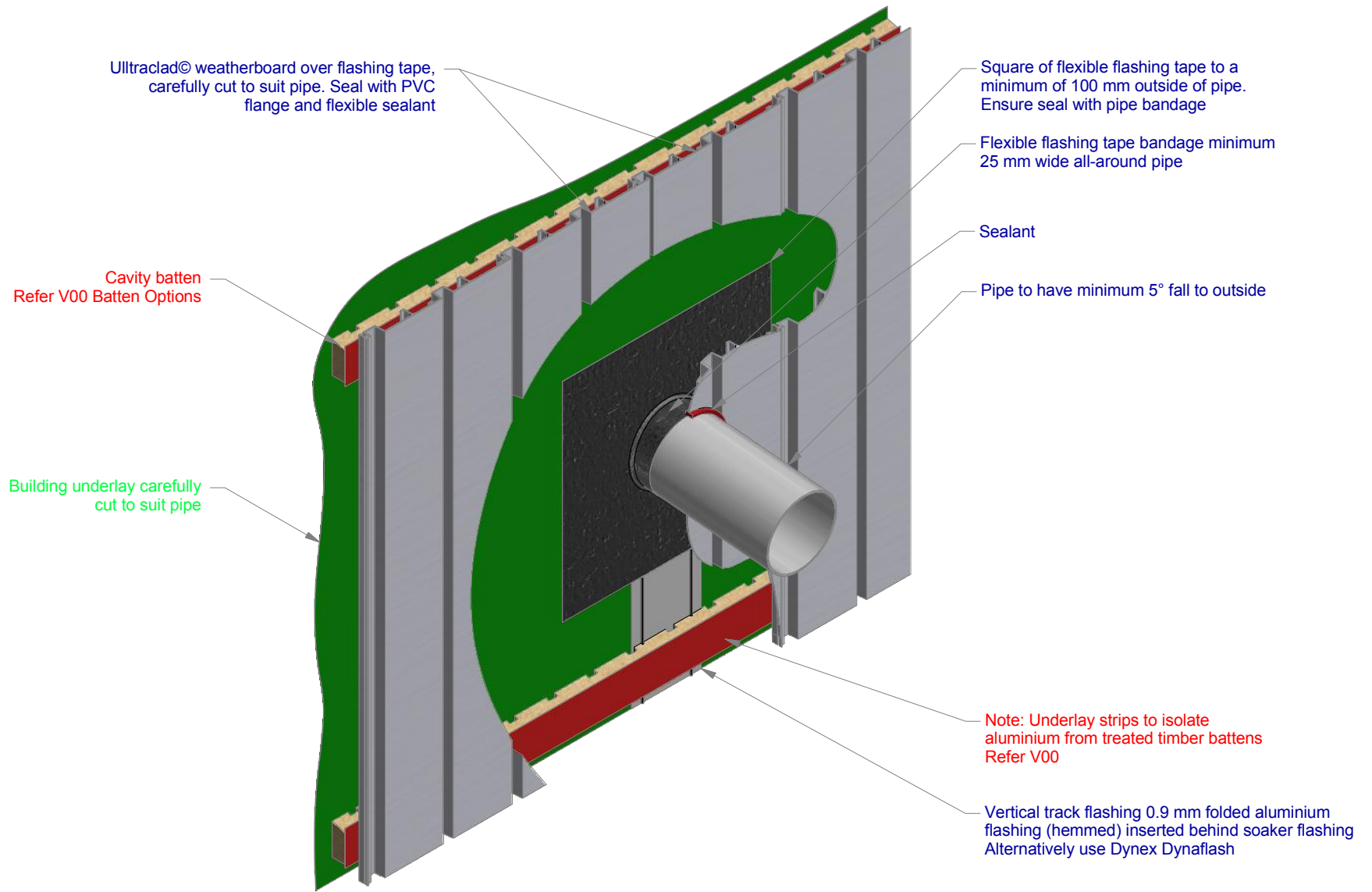
**Meter Box Jamb on Cavity**  
**UA 7726 SHADO 100 BOARD**

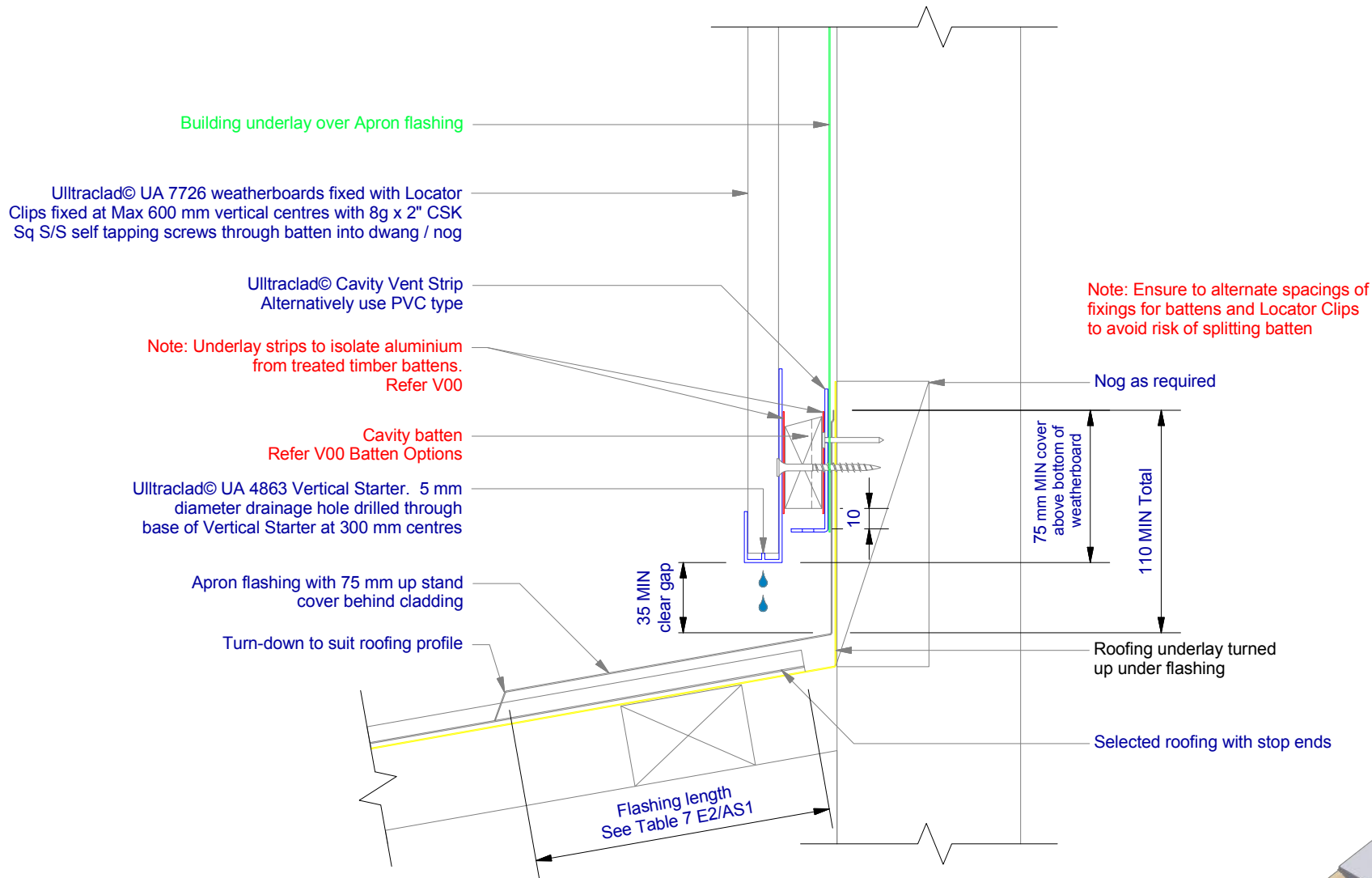
**VERTICAL CAVITY SYSTEM**

Scale: 1 : 2 @ A4 - 2019

Brnz Appraisal #796 2019. (Vertical)







Building underlay over Apron flashing

Ultraclad® UA 7726 weatherboards fixed with Locator Clips fixed at Max 600 mm vertical centres with 8g x 2" CSK Sq S/S self tapping screws through batten into dwang / nog

Ultraclad® Cavity Vent Strip  
Alternatively use PVC type

Note: Underlay strips to isolate aluminium from treated timber battens.  
Refer V00

Cavity batten  
Refer V00 Batten Options

Ultraclad® UA 4863 Vertical Starter. 5 mm diameter drainage hole drilled through base of Vertical Starter at 300 mm centres

Apron flashing with 75 mm up stand cover behind cladding

Turn-down to suit roofing profile

Note: Ensure to alternate spacings of fixings for battens and Locator Clips to avoid risk of splitting batten

Nog as required

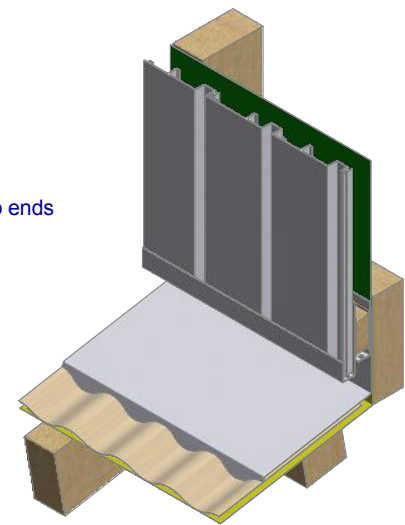
75 mm MIN cover above bottom of weatherboard

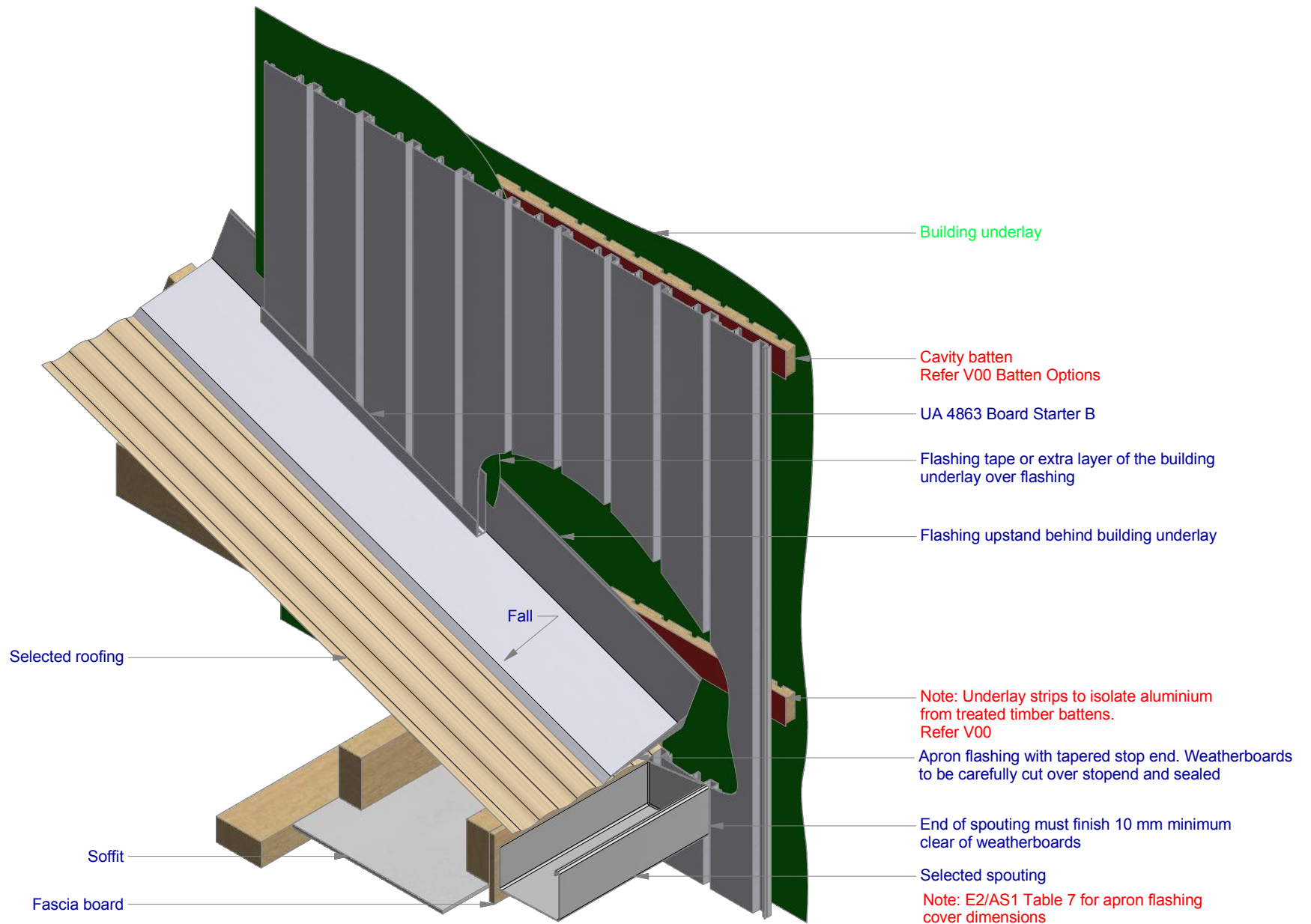
110 MIN Total

Flashing length See Table 7 E2/AS1

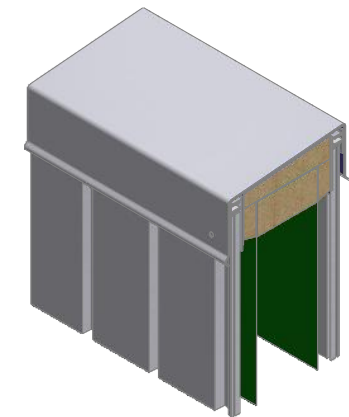
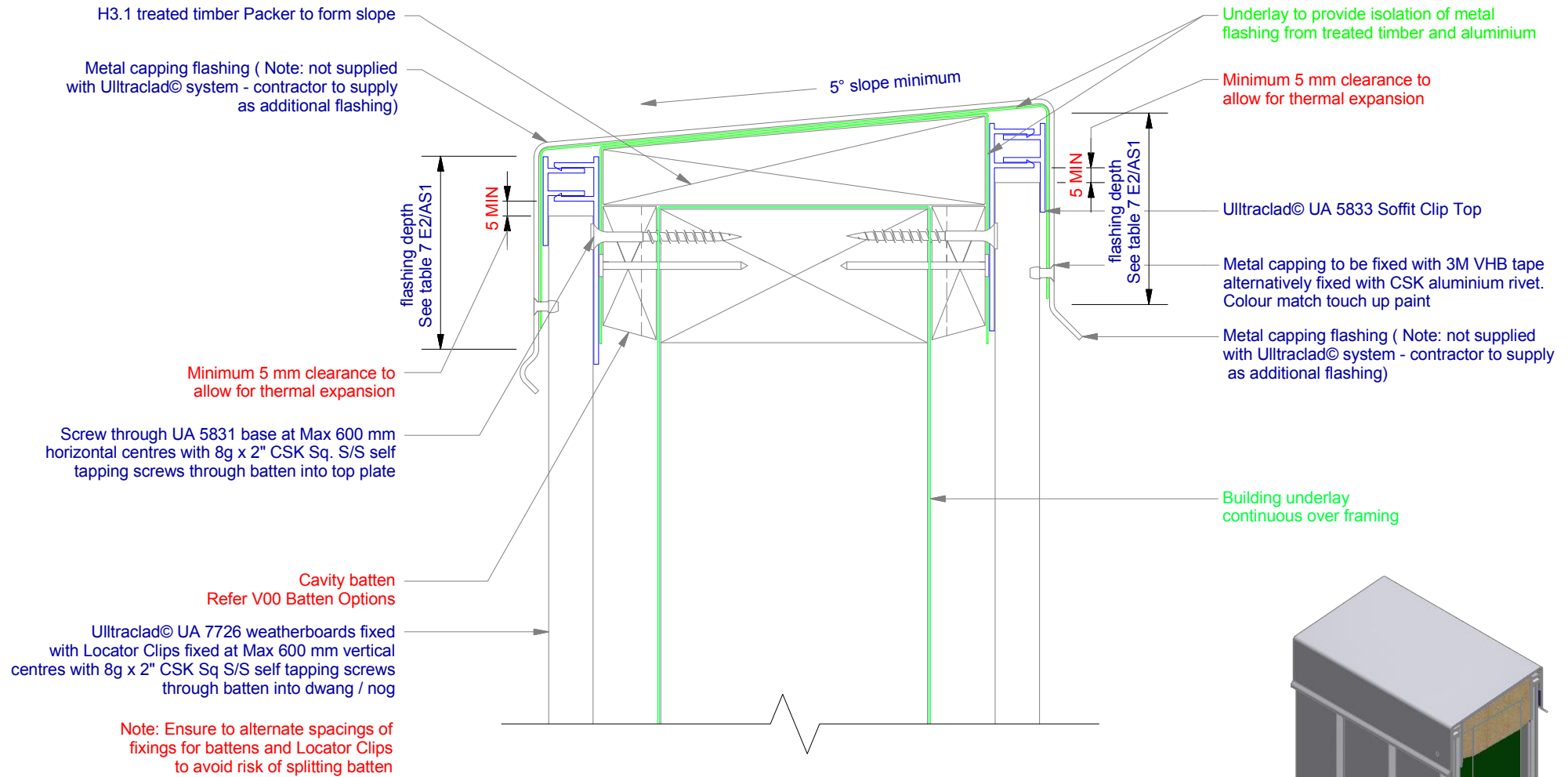
Roofing underlay turned up under flashing

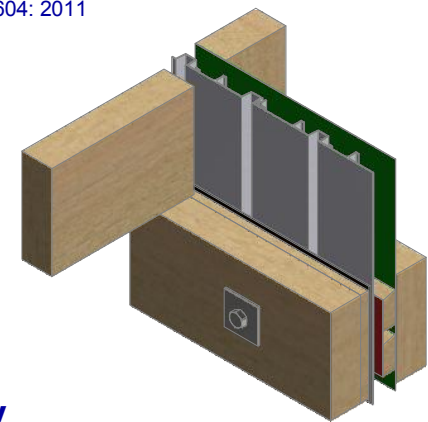
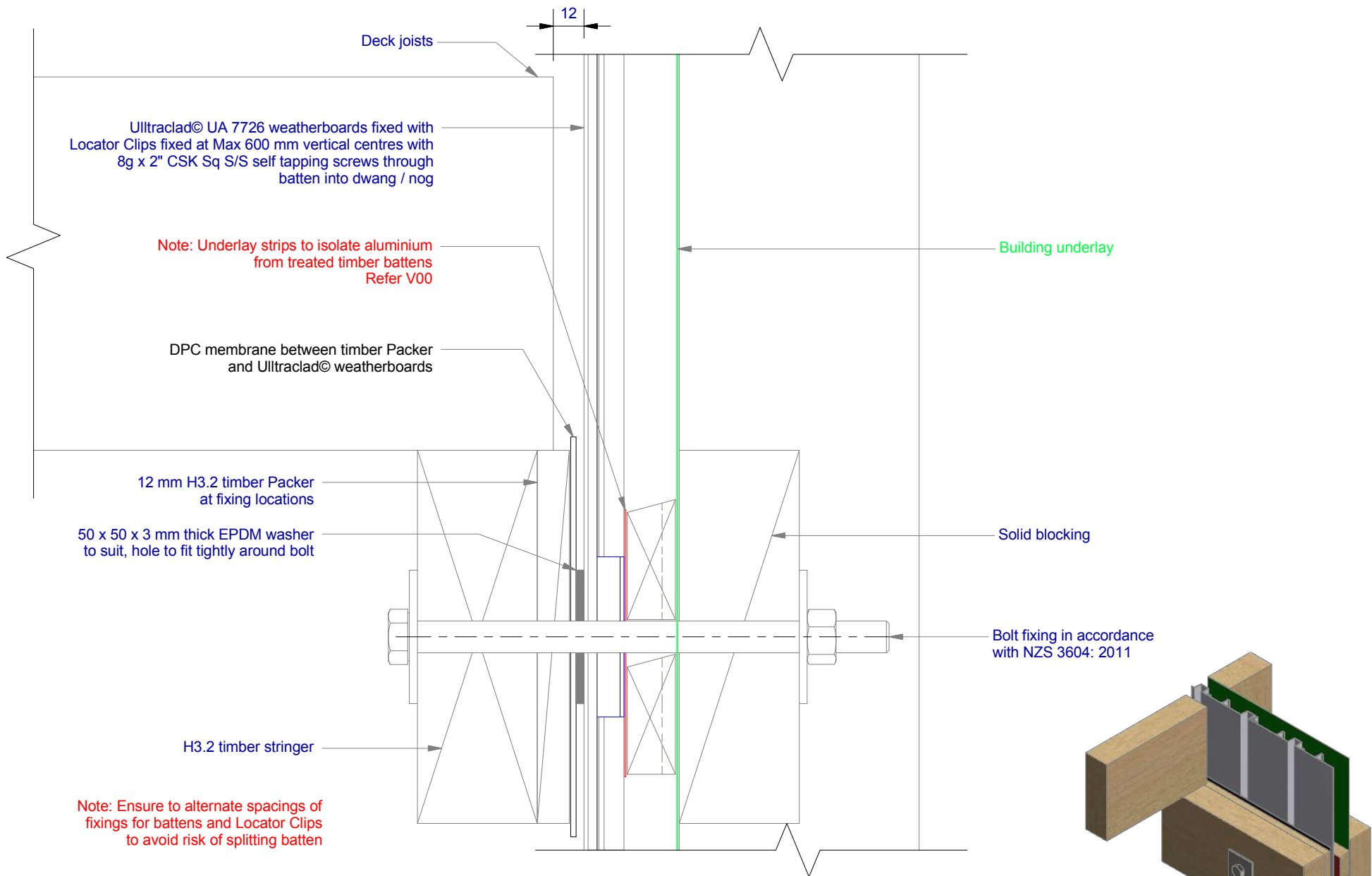
Selected roofing with stop ends











**ULLTRACLAD**®  
ALUMINIUM WEATHERBOARDS

ULLRICH ALUMINIUM CO LTD  
PO Box 98 843 Manukau City Auckland 2241  
118 Wiri Station Road Wiri 2104 New Zealand  
TL 09 262 6262 Ext. 814 Mob 021 541 563

www.ulltraclad.co.nz

© ULLRICH ALUMINIUM - All Rights Reserved

**V22**

Rev : 10

**Deck Junction on Cavity**  
**UA 7726 SHADO 100 BOARD**

**VERTICAL CAVITY SYSTEM**

Scale: 1 : 2 @ A4 - 2019

Brnz Appraisal #796 2019. (Vertical)

Note: Ensure to alternate spacings of fixings for battens and Locator Clips to avoid risk of splitting batten

Ultraclad® UA 7726 weatherboards fixed with Locator Clips fixed at Max 600 mm vertical centres with 8g x 2" CSK Sq S/S self tapping screws through batten into dwang / nog

Building underlay

Cavity batten  
Refer V00 Batten Options

Flashing tape

Note: Underlay strips to isolate aluminium from treated timber battens  
Refer V00

Ultraclad® UA 4863 Vertical Starter Strip fixed to frame at 300 mm centres with 8g x 2" CSK Sq S/S self tapping screws

Ultraclad® UA 4863 with 5 mm diameter drainage holes drilled through base of Starter at 300 mm centres

Aluminium inter-storey flashing 15° slope  
(Note: not supplied with Ultraclad® system - contractor to supply as additional flashing)

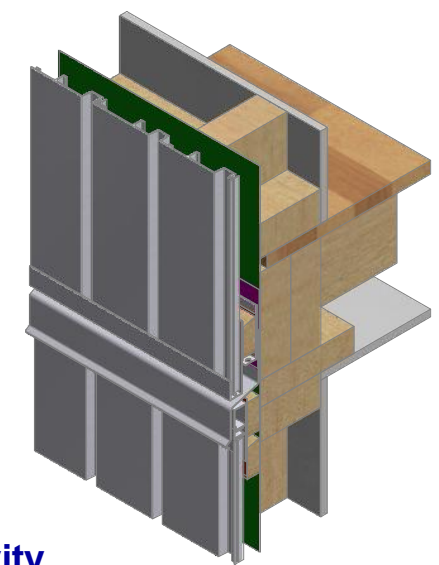
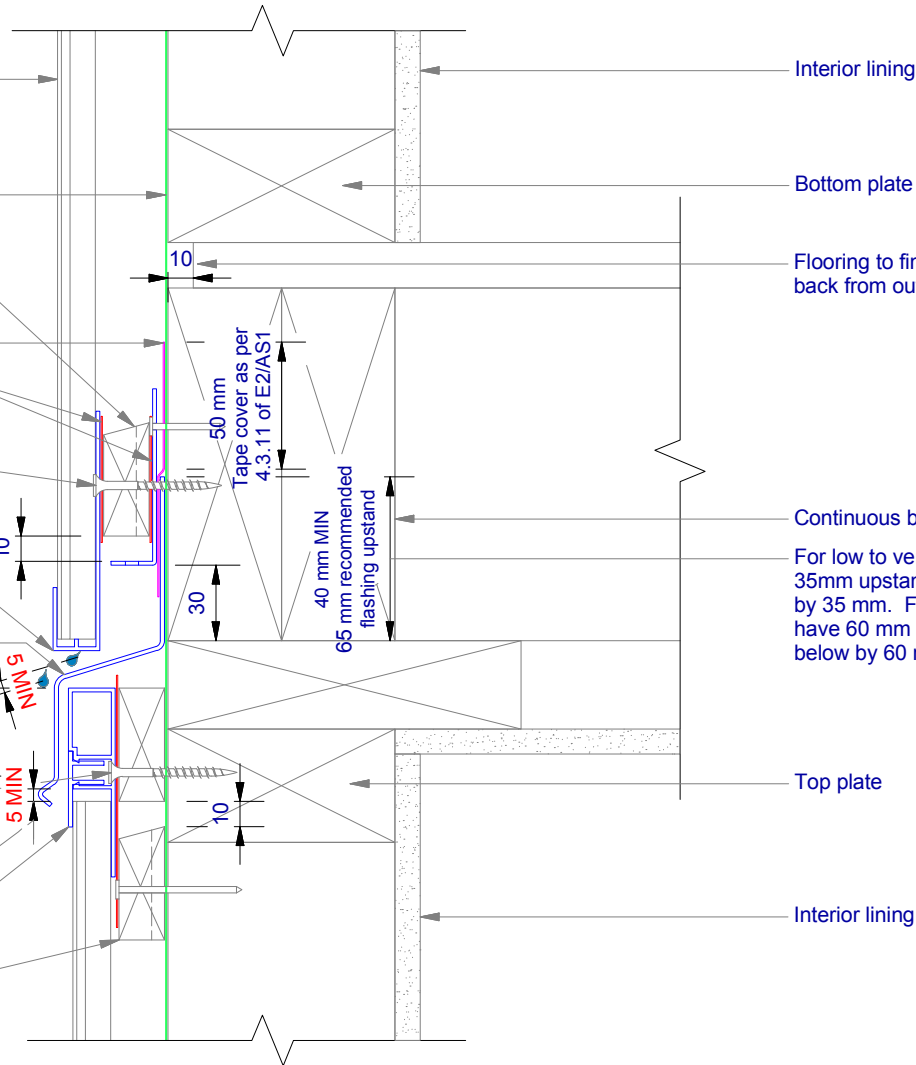
Screw through UA 7584 base at Max 600 mm horizontal centres with 8g x 2" CSK Sq. S/S self tapping screws through batten into frame

Minimum 5 mm clearance to allow for thermal expansion

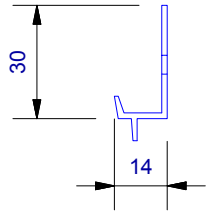
Ultraclad® UA 5833 Soffit Clip Top

Cavity batten  
Refer V00 Batten Options

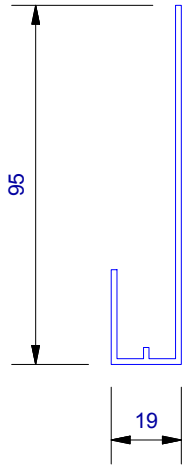
Note: this detail is required to limit cavities to 2 storeys or 7 m Max - Refer E2/AS1 clause 9.1.9.4



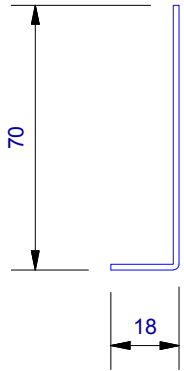
UA 4535  
Locator Clip



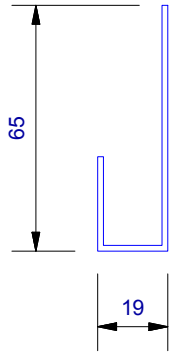
UA 4863  
Vertical Board Starter



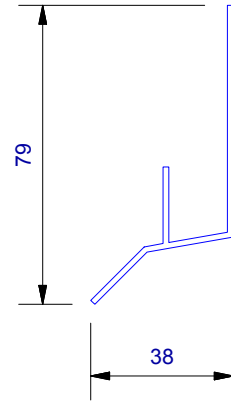
Cavity Vent Strip



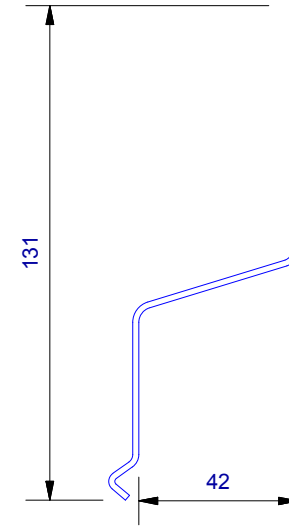
UA 4532  
J Moulding



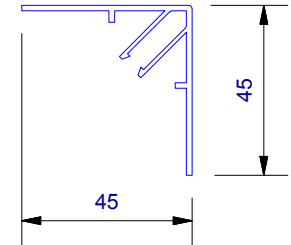
UA 4533  
Head Starter



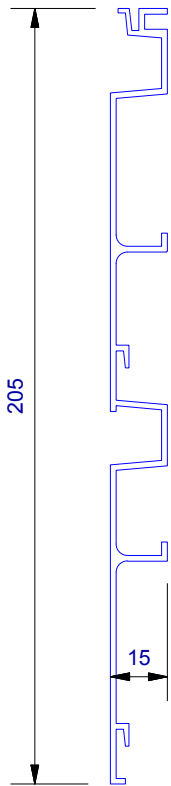
UA 7919  
Inter - Storey Flashing



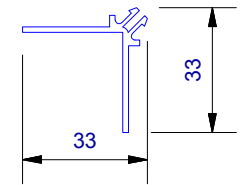
UA 7094  
Female Flat Corner



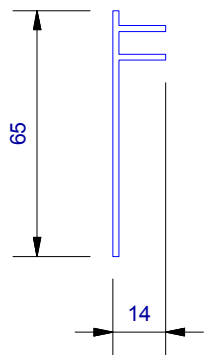
UA 7726  
SHADO 100 BOARD



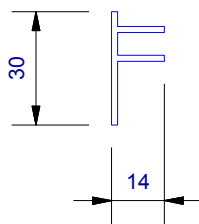
UA 7095  
Male Flat Corner



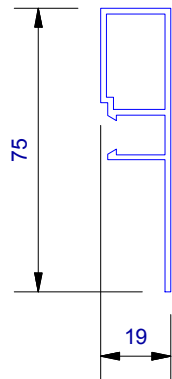
UA 5832  
Soffit 65mm Clip Top



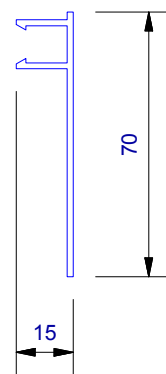
UA 5833  
Soffit 30mm Clip Top



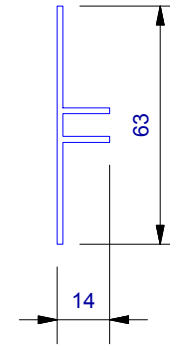
UA 7584  
Jamb/Sill Clip Base



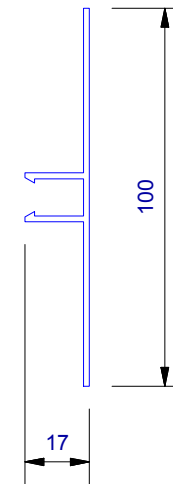
UA 5831  
Soffit Clip Base



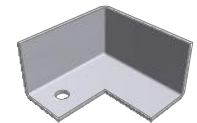
UA 7096  
Flat Joints Top



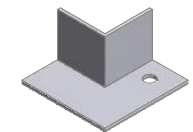
UA 6324  
2 Piece Joints Base



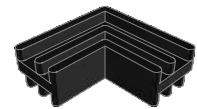
CLADCNRCAP  
Corner Cap



CLADCNRCAPI  
Internal Corner Cap ( 1 : 3 )



CLADSTAKECNR  
Plastic Staking Corner



**ULLTRACLAD**<sup>®</sup>  
ALUMINIUM WEATHERBOARDS

ULLRICH ALUMINIUM CO LTD  
PO Box 98 843 Manukau City Auckland 2241  
118 Wiri Station Road Wiri 2104 New Zealand  
TL 09 262 6262 Ext. 814 Mob 021 541 563

www.ulltraclad.co.nz

© ULLRICH ALUMINIUM - All Rights Reserved

**V24**

Rev : 10

**SHADO 100 PROFILES**  
UA 7726 SHADO 100 BOARD

**VERTICAL CAVITY SYSTEM**

Scale: 1 : 2 @ A4 - 2019

Brnz Appraisal #796 2019. (Vertical)