

# UA5059 TRADITIONAL BOARD HORIZONTAL CAVITY SYSTEM

REV: 10 2019

H00 : Wall Batten Elevation  
H01 : External Corner on Cavity  
H02 : Internal Corner on Cavity  
H03 : Horizontail wall Joints  
H04 : 90° deg Corner Cap  
H05 : Vertical Wall Starter  
H06 : No Soffit Detail on Cavity  
H07 : Soffit Detail on Cavity  
H08 : Timber Floor on Cavity  
H09 : Window Head on Cavity  
H10 : Window Jam on Cavity  
H11 : Window Sill on Cavity  
H12 : Sill-Jamb on Cavity

H13 : Head flashing / Head Starter / Jamb iso  
H14 : Head - Jamb iso  
H15 : Head - Jamb Notching Details  
H16 : Meter Box Head on Cavity  
H17 : Meter Box Jamb on Cavity  
H18 : Meter Box Sill on Cavity  
H19 : Pipe Penetration on Cavity  
H20 : Roof-Wall Junction on Cavity  
H21 : Gutter Wall Junction on Cavity  
H22 : Parapet on Cavity  
H23 : Deck Junction on Cavity  
H24 : Inter-Storey Junction on Cavity  
H25 : Traditional Board Profiles

**ULLTRACLAD**<sup>®</sup>  
ALUMINIUM WEATHERBOARDS

ULLTRACLAD ALUMINIUM CO LTD  
PO Box 98 843 Manukau City Auckland 2241  
118 Wiri Station Road Wiri 2104 New Zealand  
TL 09 262 6262 Ext. 814 Mob 021 541 563

[www.ulltraclad.co.nz](http://www.ulltraclad.co.nz)

© ULLRICH ALUMINIUM - All Rights Reserved

**HOR**

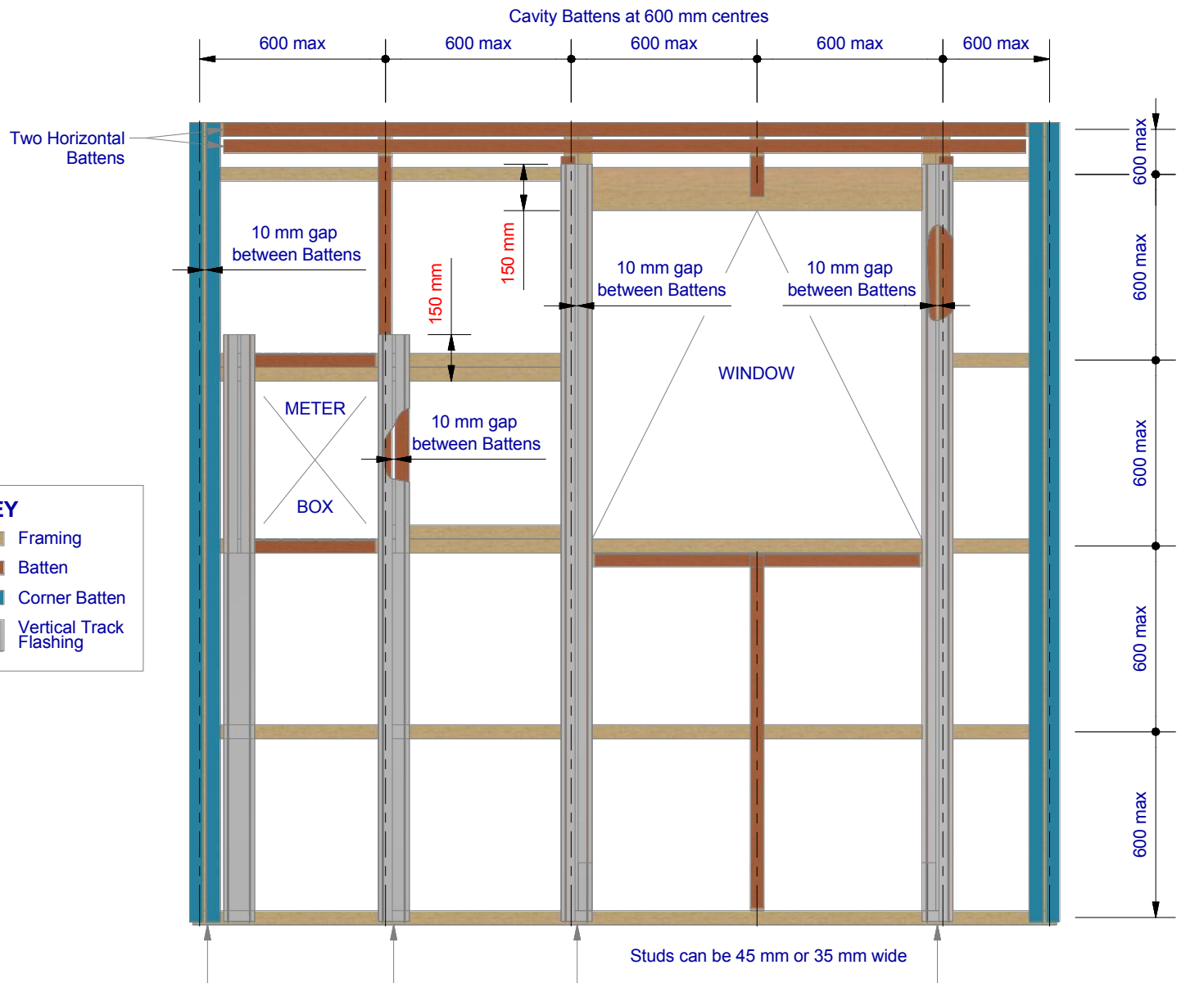
Rev : 10

UA 5059 TRADITIONAL BOARD

HORIZONTAL CAVITY SYSTEM

Scale: 1 @ A4 - 2019

Brnz Appraisal #487 2019. (Horizontal)



### Batten options

Impervious barrier ( MDPE ) or similar tape between cladding and batten.

To comply with NZBC E2/AS1 - Table 23.

Note:

Some machining of battens may be required to avoid "build up".  
i.e. back flashings / tapes

### Cavity plastic Batten

Note:

packing/shims may be needed to ensure boards are fitted flat without distortion.

\* Additional timber may be required at soffit to support UA 5831 Soffit Base.

### Note: Important

Underlay strips to isolate aluminium from treated timber battens 50 mm wide medium density polyethylene ( MDPE )




To comply with NZBC E2/AS1 - Table 23. Properties of roofing underlays and wall underlays, separates aluminium components and accessories from timber battens treated with copper-based treatments

Cavity closers required as per NZBC E2/AS1 (section 9.1.8)

Vertical Cavity Corner Batten  
50 x 25 mm H3.1 treated Radiata. Cavity battens fixed with 6g x 1.25" CSK Sq S/S pre-drilled screws through batten into stud

0.9 x 90 mm Aluminium Track Flashing.  
Alternatively use Dynex Dynafash.

#### KEY

-  Framing
-  Batten
-  Corner Batten
-  Vertical Track Flashing

**ULLTRACLAD**<sup>®</sup>  
ALUMINIUM WEATHERBOARDS

ULLTRACLAD ALUMINIUM CO LTD  
PO Box 98 843 Manukau City Auckland 2241  
118 Wiri Station Road Wiri 2104 New Zealand  
TL 09 262 6262 Ext. 814 Mob 021 541 563

www.ulltraclad.co.nz

© ULLRICH ALUMINIUM - All Rights Reserved

**H00**

Rev : 10

### Wall Batten Elevation

UA 5059 **TRADITIONAL BOARD**

**HORIZONTAL CAVITY SYSTEM**

Scale: 1 : 20 @ A4 - 2019

Brnz Appraisal #487 2019. (Horizontal)

Locator Clips fixed at Max 600 mm horizontal centres with 8g x 2" CSK Sq S/S self tapping screws through batten into stud

Vertical cavity batten (corners only) fixed with 6g x 1.25" CSK Sq S/S pre-drilled screws through batten into stud

5 MIN

Minimum 5 mm clearance to allow for thermal expansion

Ultraclad® UA 7094 Female Corner Flashing

Ultraclad® UA 7095 Male Corner Flashing fixed to timber battens with 30 x 2.5 mm stainless steel clouts at 600 mm vertical centres

5 MIN

Ultraclad® UA 5059 weatherboard

Note: Underlay strips to isolate aluminium from treated timber battens Refer V00

Cavity batten Refer V00 Batten Options

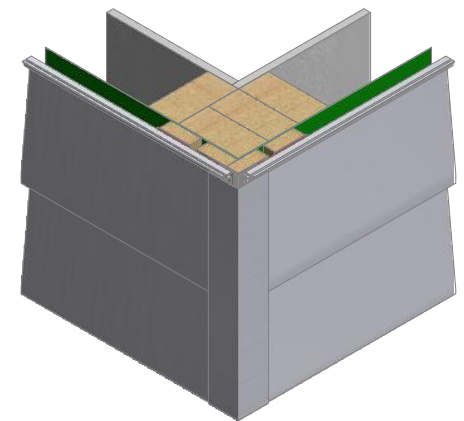
Locator Clip UA 4535

Building underlay continuous around corner

Wall frame

Interior lining

Note: Ensure to alternate spacings of fixings for battens and Locator Clips to avoid risk of splitting batten



**ULLTRACLAD®**  
ALUMINIUM WEATHERBOARDS

ULLTRACLAD ALUMINIUM CO LTD  
PO Box 98 843 Manukau City Auckland 2241  
118 Wiri Station Road Wiri 2104 New Zealand  
TL 09 262 6262 Ext. 814 Mob 021 541 563

www.ulltracalad.co.nz

© ULLRICH ALUMINIUM - All Rights Reserved

**H01**

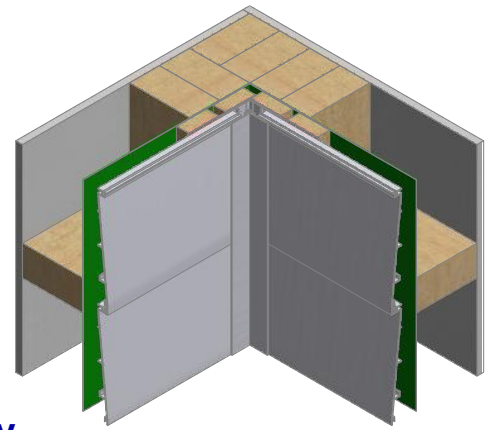
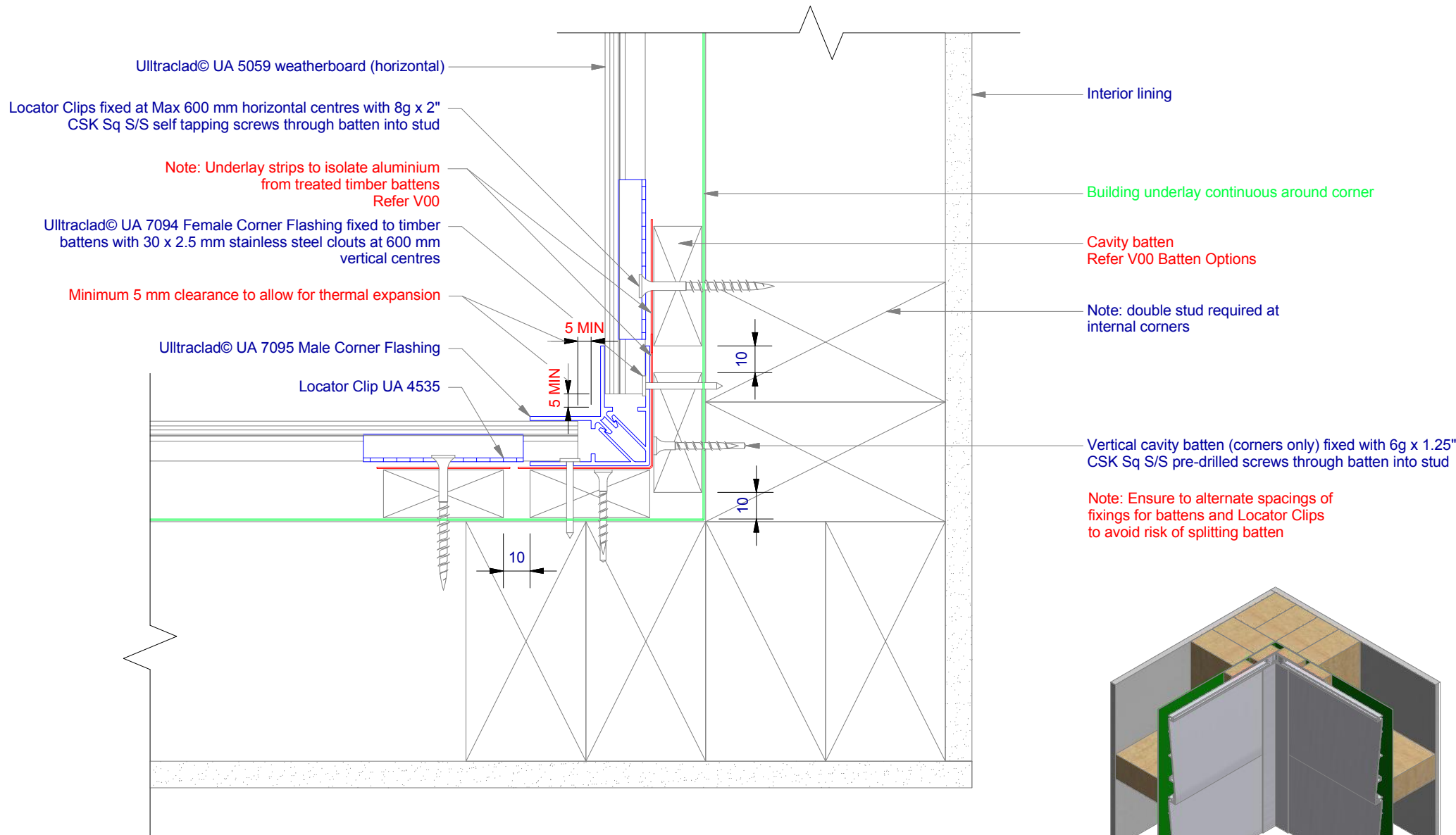
Rev : 10

**External Corner on Cavity**  
**UA 5059 TRADITIONAL BOARD**

**HORIZONTAL CAVITY SYSTEM**

Scale: 1 : 2 @ A4 - 2019

Brnz Appraisal #487 2019. (Horizontal)



**ULLTRACLAD**<sup>®</sup>  
ALUMINIUM WEATHERBOARDS

ULLTRACLAD ALUMINIUM CO LTD  
PO Box 98 843 Manukau City Auckland 2241  
118 Wiri Station Road Wiri 2104 New Zealand  
TL 09 262 6262 Ext. 814 Mob 021 541 563  
www.ulltraclad.co.nz  
© ULLRICH ALUMINIUM - All Rights Reserved

**H02**  
Rev : 10

**Internal Corner on Cavity**  
**UA 5059 TRADITIONAL BOARD**

**HORIZONTAL CAVITY SYSTEM**  
Scale: 1 : 2 @ A4 - 2019

Brnz Appraisal #487 2019. (Horizontal)

Minimum 5 mm clearance to allow for thermal expansion

Ulltraclad® UA 6324 Jointer Bottom fixed to wall frame with 30 x 2.5 mm clouts at 600 mm centres

Cavity batten Refer V00 Batten Options

Note: Underlay strips to isolate aluminium from treated timber battens Refer V00

Minimum 5 mm clearance to allow for thermal expansion

Ulltraclad® UA 7096 Flat Jointer Top

Ulltraclad® UA 5059 weatherboard

Building underlay

Drained and vented cavity as per NZBC E2/AS1 (section 9.1.8)

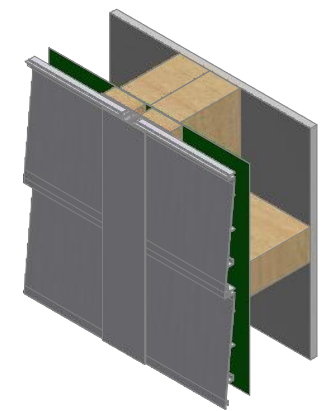
5 MIN 5 MIN

10

Note: Ensure to alternate spacings of fixings for battens and Locator Clips to avoid risk of splitting batten

Interior lining

Double studs behind vertical jointer



**ULLTRACLAD®**  
ALUMINIUM WEATHERBOARDS

ULLTRACLAD ALUMINIUM CO LTD  
PO Box 98 843 Manukau City Auckland 2241  
118 Wiri Station Road Wiri 2104 New Zealand  
TL 09 262 6262 Ext. 814 Mob 021 541 563

www.ulltraclad.co.nz

© ULLRICH ALUMINIUM - All Rights Reserved

**H03**

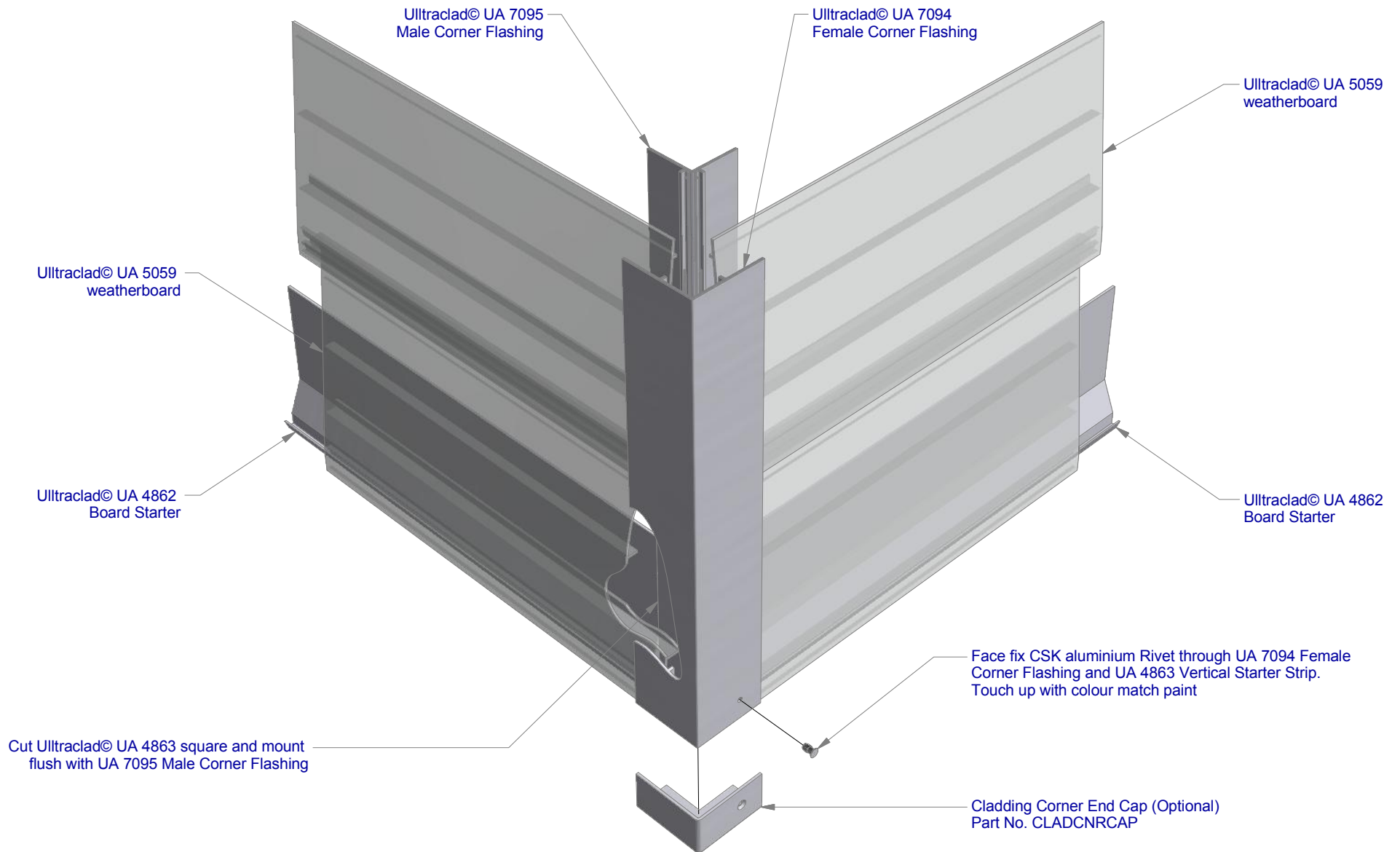
Rev : 10

**Horizontal Wall Jointer**  
UA 5059 **TRADITIONAL BOARD**

**HORIZONTAL CAVITY SYSTEM**

Scale: 1 : 2 @ A4 - 2019

Brnz Appraisal #487 2019. (Horizontal)



Building underlay

Ultracalad® UA 5059 weatherboards (horizontal) fixed with Locator Clips fixed at Max 600 mm horizontal centres with 8g x 2" CSK Sq S/S self tapping screws through batten into stud

Note: Underlay strips to isolate aluminium from treated timber battens Refer V00

Cavity batten Refer V00 Batten Options

Ultracalad® UA 4862 Board Starter or alternatively use UA 4863 fixed to bottom plate with 50 x 2.5 mm clouts at 600 mm centres

Ultracalad® Cavity Vent Strip Alternatively use PVC type

Note: 100 mm minimum to permanent paving or 175 mm to unpaved ground to clause 9.1.3 of E2/AS1

Concrete slab or Blockwork

Finished ground level

Interior lining

Bottom plate over DPC

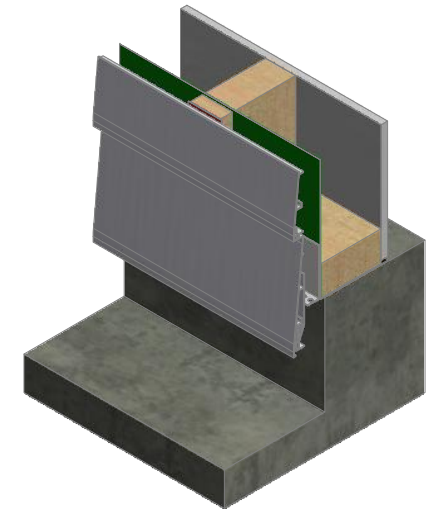
Note: Ensure to alternate spacings of fixings for battens and Locator Clips to avoid risk of splitting batten

10

6 mm overhang (optional)

50

100



**ULLTRACLAD®**  
ALUMINIUM WEATHERBOARDS

ULLTRACLAD ALUMINIUM CO LTD  
PO Box 98 843 Manukau City Auckland 2241  
118 Wiri Station Road Wiri 2104 New Zealand  
TL 09 262 6262 Ext. 814 Mob 021 541 563

www.ulltracalad.co.nz

© ULLRICH ALUMINIUM - All Rights Reserved

**H05**

Rev : 10

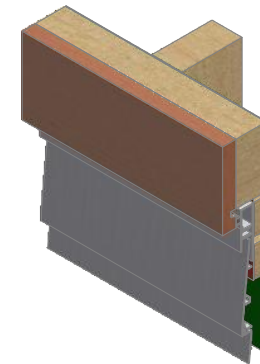
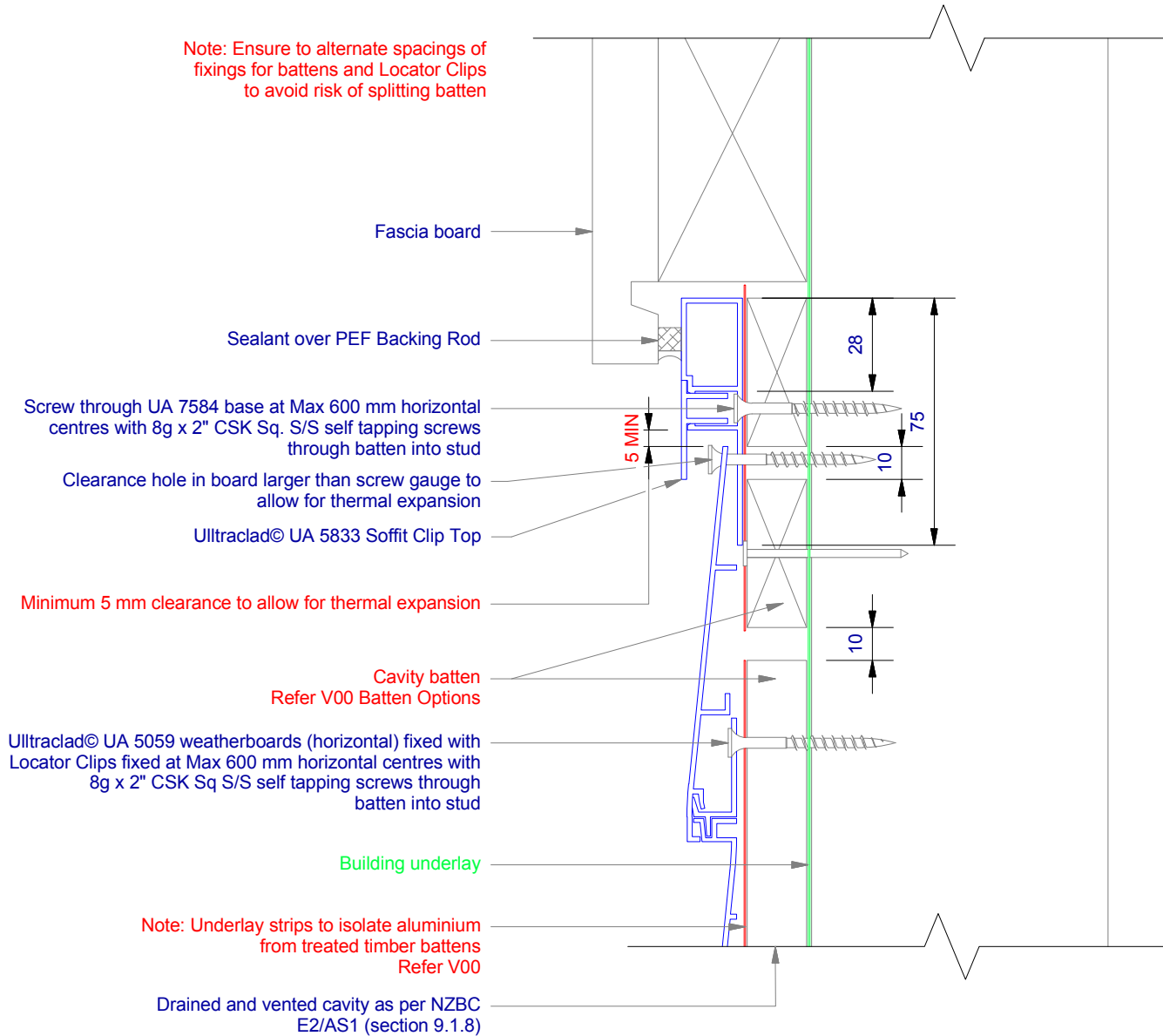
**Vertical Wall Starter**  
UA 5059 TRADITIONAL BOARD

**HORIZONTAL CAVITY SYSTEM**

Scale: 1 : 2 @ A4 - 2019

Brnz Appraisal #487 2019. (Horizontal)

Note: Ensure to alternate spacings of fixings for battens and Locator Clips to avoid risk of splitting batten



**ULLTRA CLAD**<sup>®</sup>  
ALUMINIUM WEATHERBOARDS

ULLTRA CLAD ALUMINIUM CO LTD  
PO Box 98 843 Manukau City Auckland 2241  
118 Wiri Station Road Wiri 2104 New Zealand  
TL 09 262 6262 Ext. 814 Mob 021 541 563

www.ulltraclad.co.nz

© ULLRICH ALUMINIUM - All Rights Reserved

**H06**

Rev : 10

**No Soffit Detail on Cavity**  
**UA 5059 TRADITIONAL BOARD**

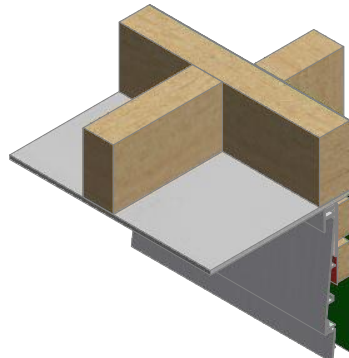
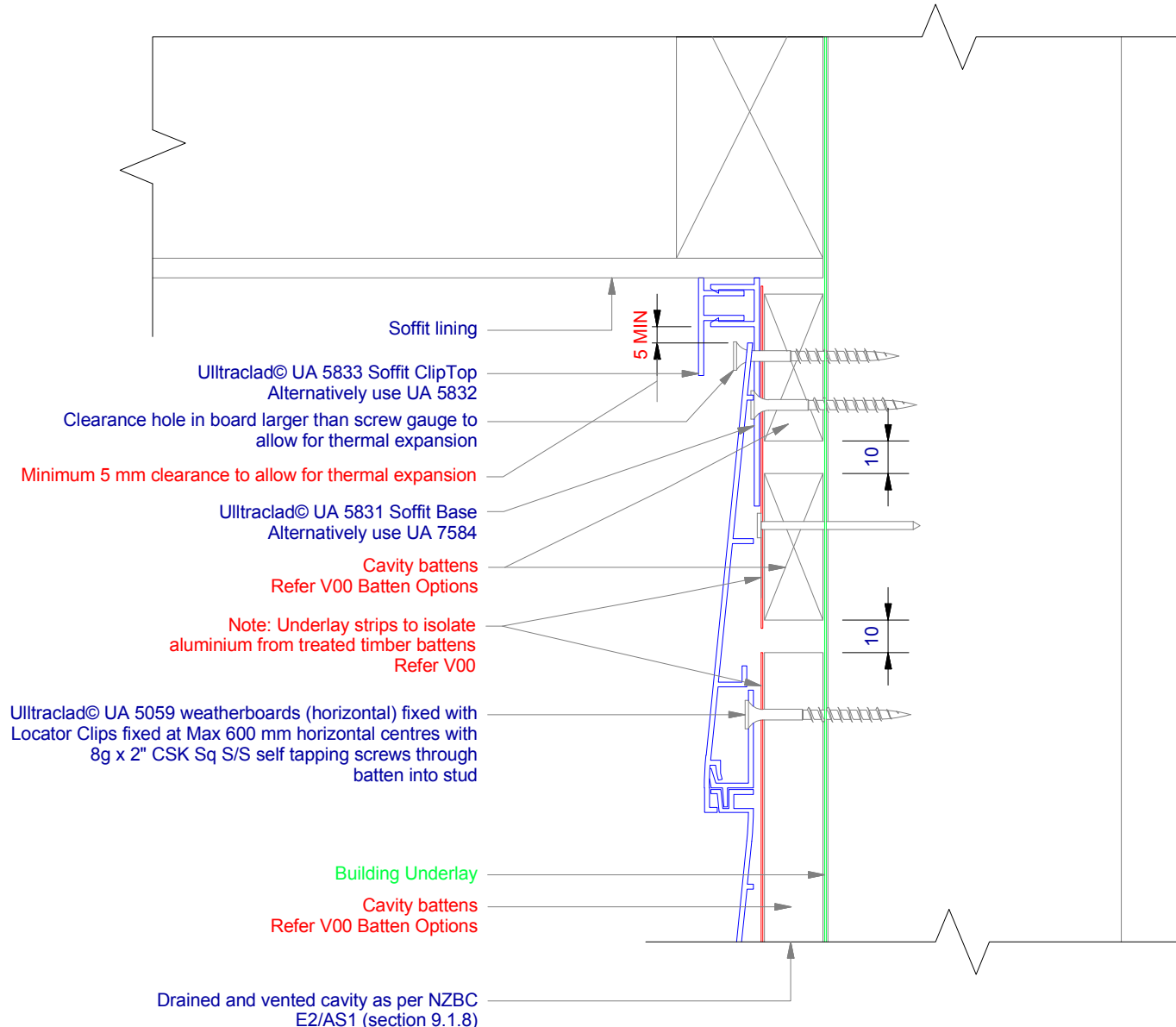
**HORIZONTAL CAVITY SYSTEM**

Scale: 1 : 2 @ A4 - 2019

Brnz Appraisal #487 2019. (Horizontal)



Note: Ensure to alternate spacings of fixings for battens and Locator Clips to avoid risk of splitting batten



**ULLTRACLAD**<sup>®</sup>  
ALUMINIUM WEATHERBOARDS

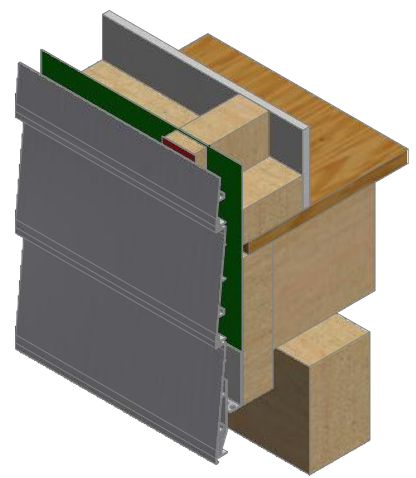
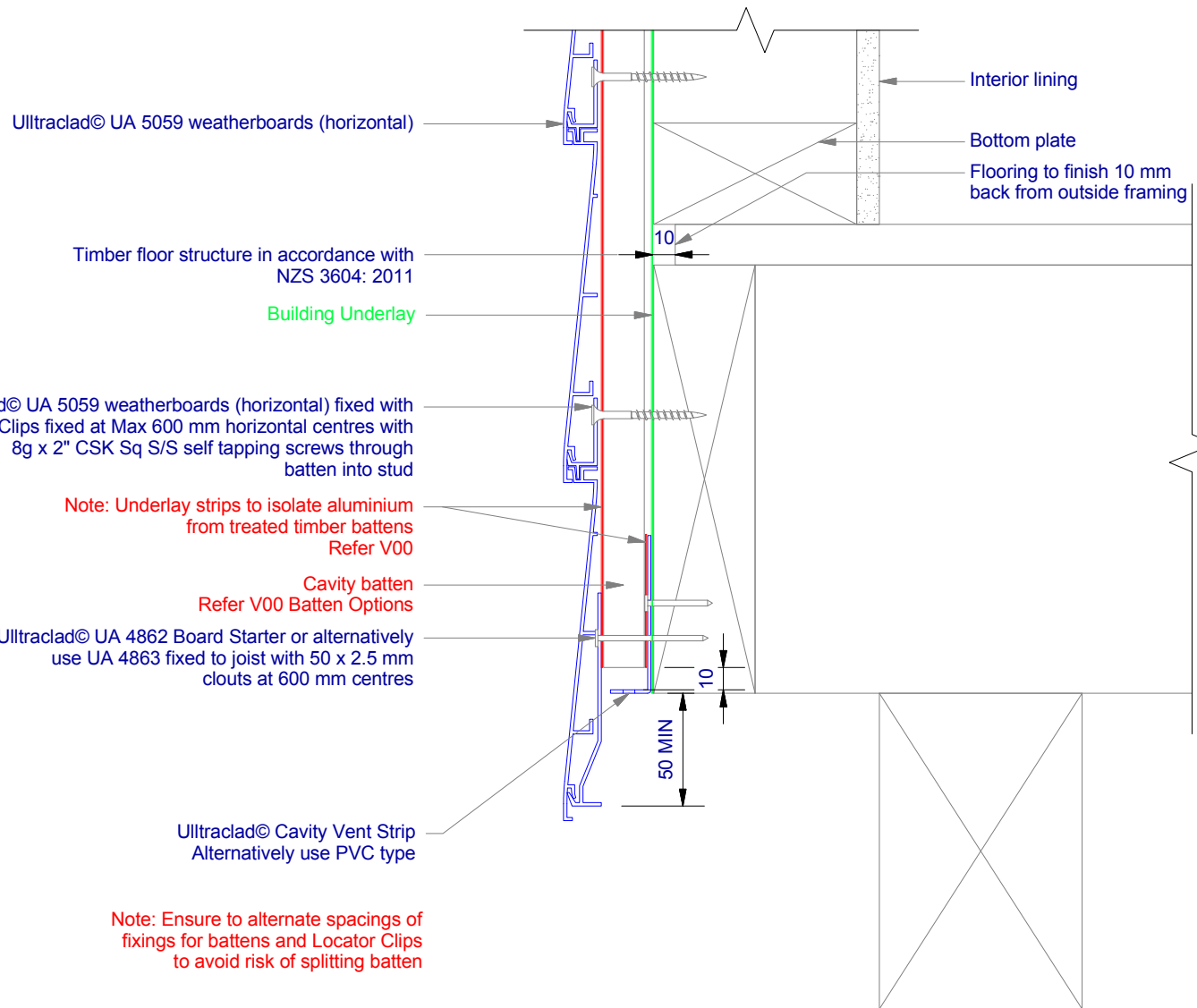
ULLTRACLAD ALUMINIUM CO LTD  
PO Box 98 843 Manukau City Auckland 2241  
118 Wiri Station Road Wiri 2104 New Zealand  
TL 09 262 6262 Ext. 814 Mob 021 541 563  
www.ulltraclad.co.nz  
© ULLRICH ALUMINIUM - All Rights Reserved

**H07**  
Rev : 10

**Soffit Detail on Cavity**  
**UA 5059 TRADITIONAL BOARD**

**HORIZONTAL CAVITY SYSTEM**  
Scale: 1 : 2 @ A4 - 2019

Brnz Appraisal #487 2019. (Horizontal)



Building underlay continuous behind head flashing and into opening

Ultraclad® UA 5059 weatherboards (horizontal) fixed with Locator Clips fixed at Max 600 mm horizontal centres with 8g x 2" CSK Sq S/S self tapping screws through batten into stud

Cavity batten  
Refer V00 Batten Options

Note: Underlay strips to isolate aluminium from treated timber battens  
Refer V00

Batten may require machining to allow for the thickness of Flashings & Tapes

Flashing tape

Ultraclad® Cavity Vent Strip  
Alternatively use PVC

Fixed to lintel at 600 mm centres with 50 x 2.5 mm stainless steel clout

Vertical track flashing 0.9 mm folded aluminium flashing (hemmed) 150 mm above window head or inter-storey. Alternatively use Dynex Dynafash

Ultraclad® UA 4533 Head Starter 5 mm diameter drainage holes drilled through base of Head Starter at 300 mm centres

Sealant between head flashing and window flange in Very High Wind Zone and above reference figure 71 (c), E2/AS1

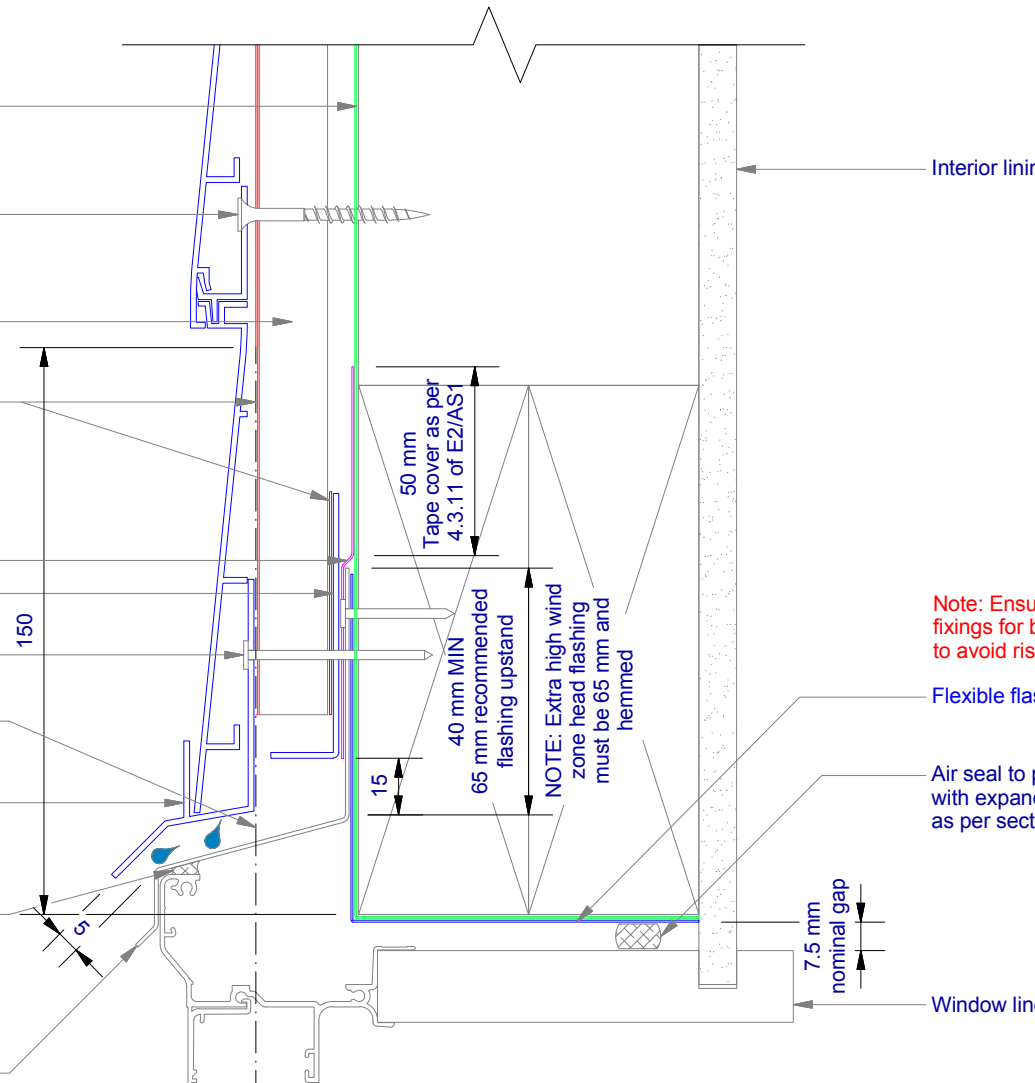
Window head flashing (15° slope) folded stop end. (Note: not supplied with Ultraclad® system - contractor to supply as additional flashing)

Interior lining

Flexible flashing tape at corners

Air seal to perimeter of trim cavity with expandable foam or sealant as per section 9.1.6 of E2/AS1

Window liner



H09

Rev : 10

## Window Head on Cavity UA 5059 TRADITIONAL BOARD

HORIZONTAL CAVITY SYSTEM

Scale: 1 : 2 @ A4 - 2019

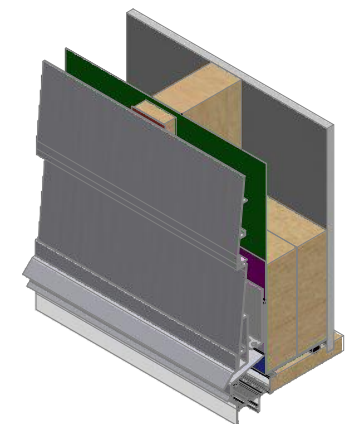
Brnz Appraisal #487 2019. (Horizontal)

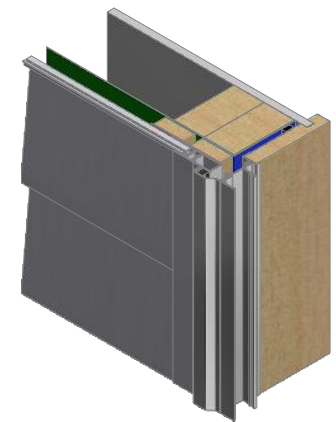
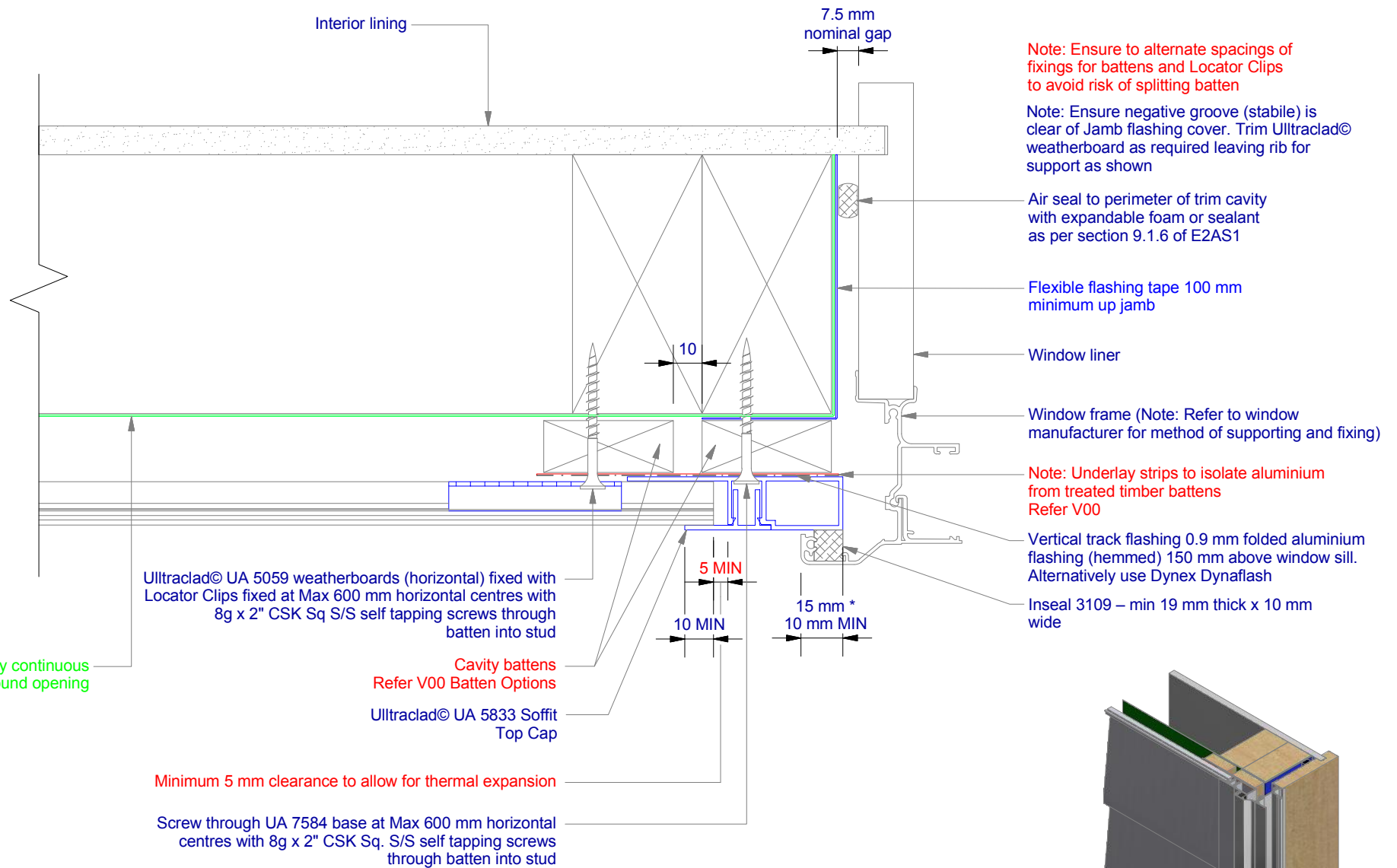
**ULLTRACLAD®**  
ALUMINIUM WEATHERBOARDS

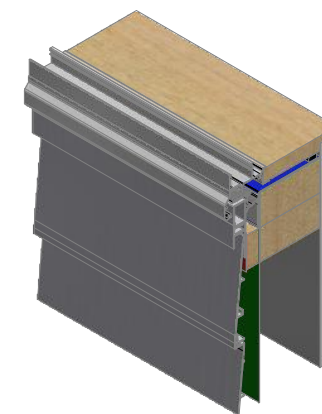
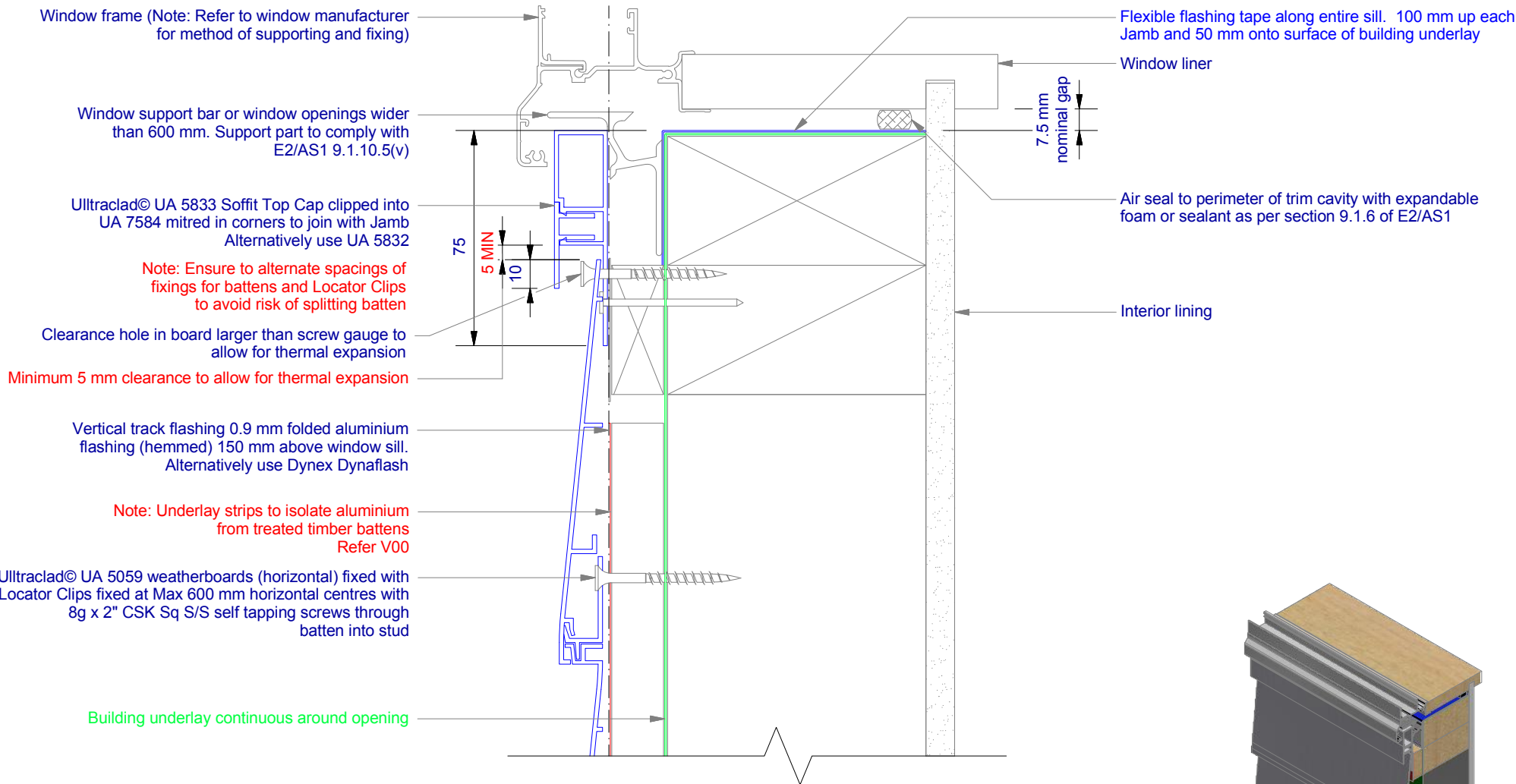
ULLTRACLAD ALUMINIUM CO LTD  
PO Box 98 843 Manukau City Auckland 2241  
118 Wiri Station Road Wiri 2104 New Zealand  
TL 09 262 6262 Ext. 814 Mob 021 541 563

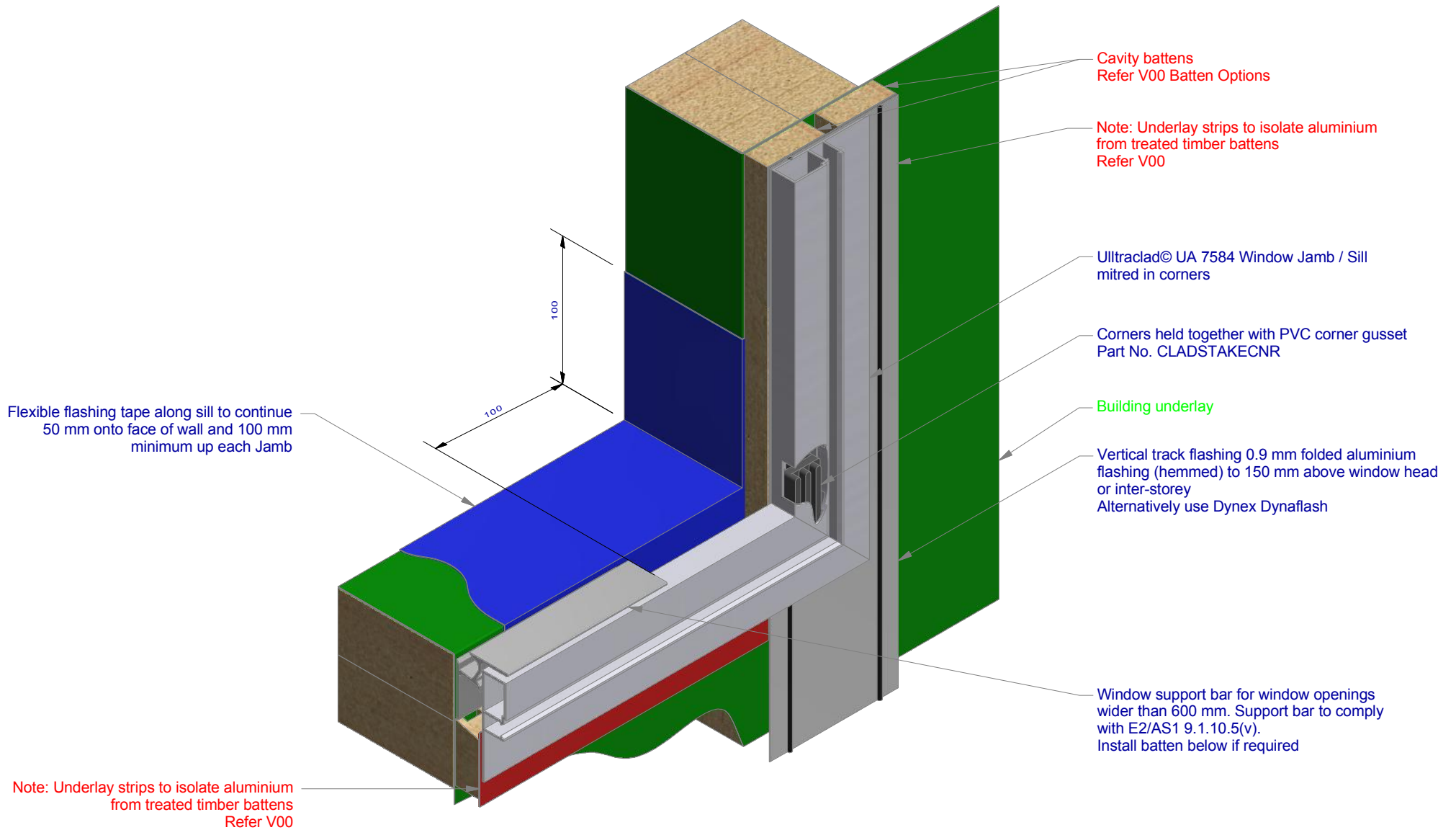
www.ulltraclad.co.nz

© ULLRICH ALUMINIUM - All Rights Reserved



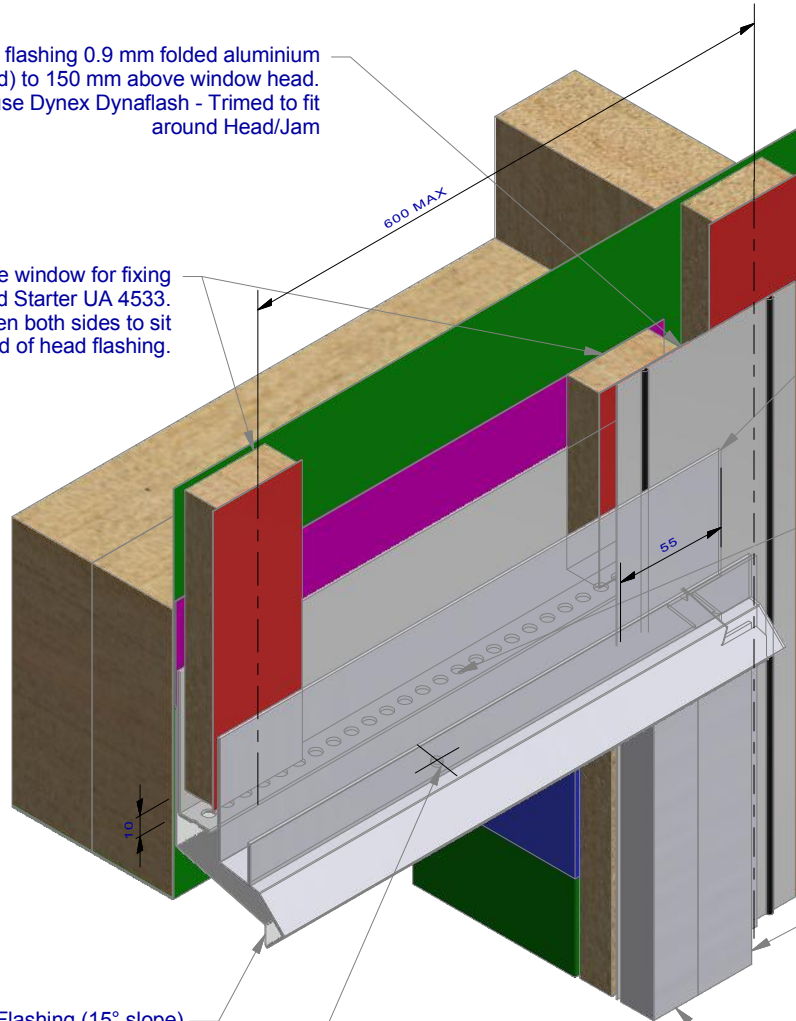






Vertical track flashing 0.9 mm folded aluminium flashing (hemmed) to 150 mm above window head. Alternatively use Dynex Dynafash - Trimed to fit around Head/Jam

Battens above window for fixing window head Starter UA 4533. Outer batten both sides to sit inside stopend of head flashing.



Window Head Flashing (15° slope) folded stop end. (Note: not supplied with Ulltraclad® system - contractor to supply as additional flashing)

Ulltraclad® UA 4533 Head Starter 5 mm diameter drainage holes drilled through base of Head Starter at 300 mm centres

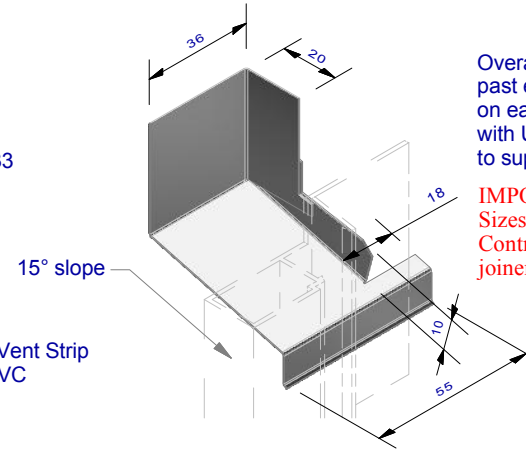
Ulltraclad® UA 4533 Head Starter

Ulltraclad® Cavity Vent Strip Alternatively use PVC

Ulltraclad® UA 5833 Soffit Clip Top. To finish flush with window head flashing and starter

Ulltraclad® UA 7584 Jamb Flashing

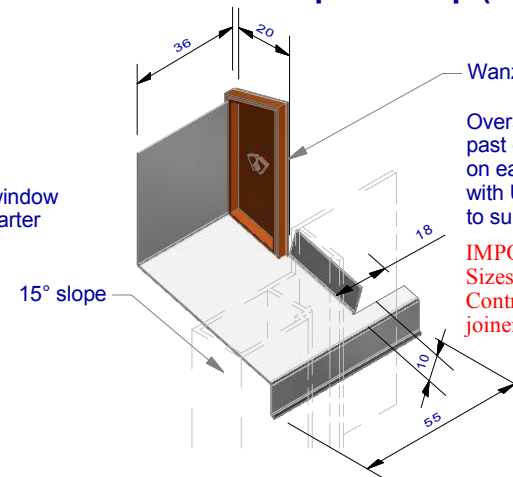
### Window Head Flashing Option 1 Cut & Fold Stop End ( 1 : 2 )



Overall Head Flashing length = +40 mm past edge of window and door joinery on each side. (Note: not supplied with Ulltraclad® system - contractor to supply as additional flashing)

**IMPORTANT:**  
Sizes shown are indicative only!  
Contractor to confirm onsite as joinery suites may vary.

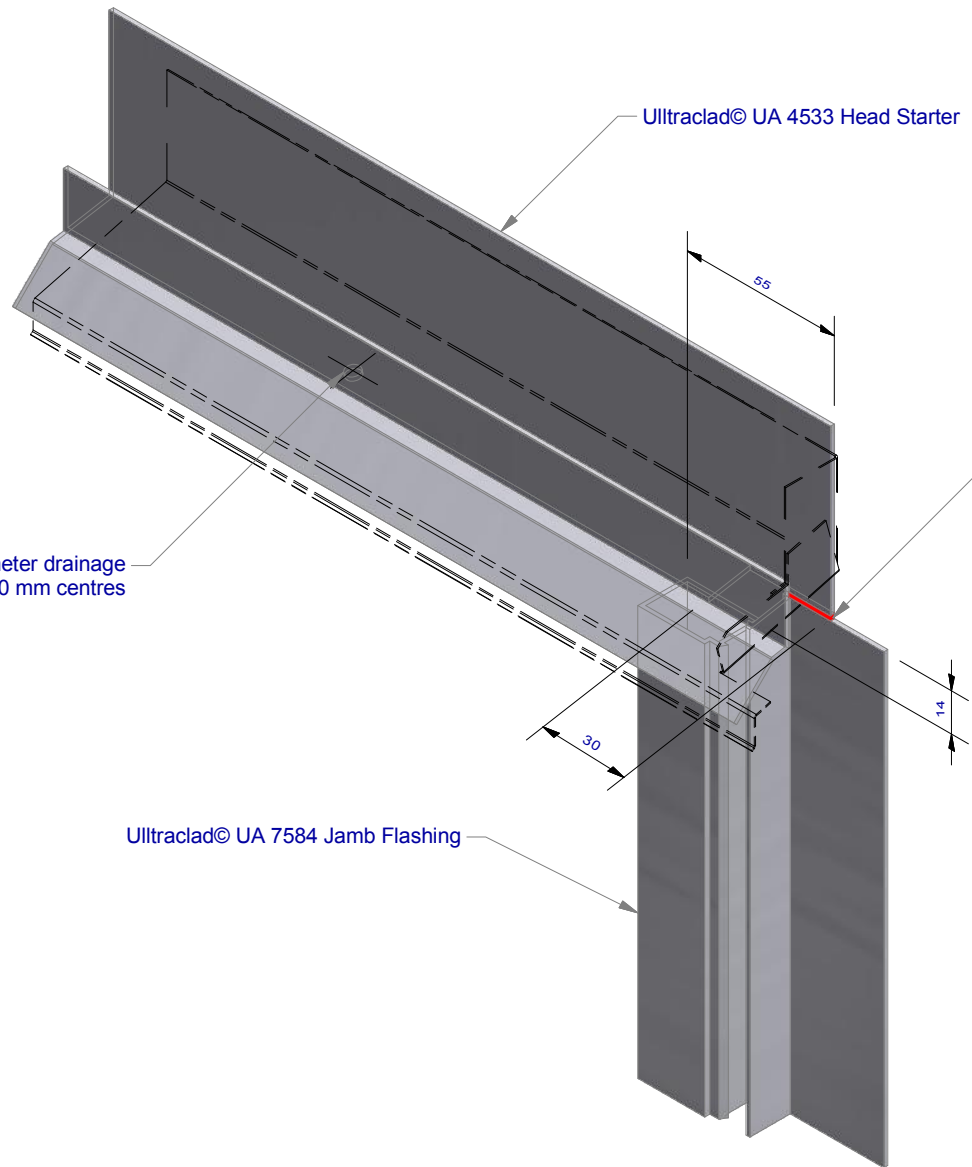
### Window Head Flashing Option 2 Wanz Plastic Stop End Cap ( 1 : 2 )



Wanz Plastic Stop End

Overall Head Flashing length = +40 mm past edge of window and door joinery on each side. (Note: not supplied with Ulltraclad® system - contractor to supply as additional flashing)

**IMPORTANT:**  
Sizes shown are indicative only!  
Contractor to confirm onsite as joinery suites may vary.



Ulltraclad© UA 4533 Head Starter

**IMPORTANT:**  
 Sizes shown are indicative only!  
 Contractor to confirm onsite as  
 joinery suites may vary.

Applying sealant before fitting UA 4533  
 sealant at facade

Note: Ulltraclad© UA 4533 Head Starter to extend  
 40 mm past edge of window or door joinery.  
 Building underlay, flashing tape and UA 5833  
 omitted for clarity

Ulltraclad© UA 4533 Head Starter 5 mm diameter drainage  
 holes drilled through base of Head Starter at 300 mm centres

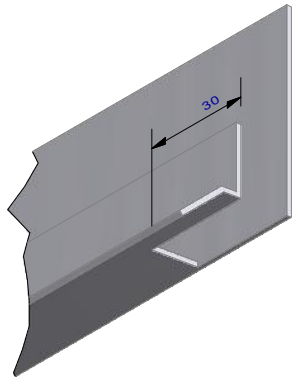
Ulltraclad© UA 7584 Jamb Flashing



Ultraclad® UA 4533 Head Starter 5 mm diameter drainage holes drilled through base of Head Starter at 300 mm centres

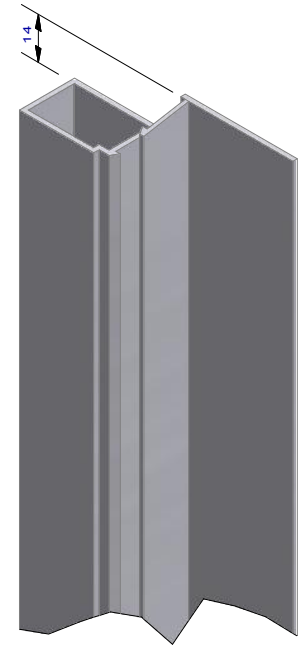
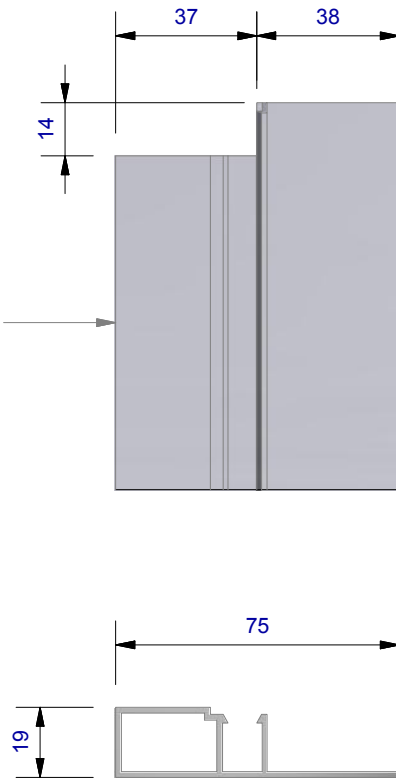


**IMPORTANT:**  
 Sizes shown are indicative only!  
 Contractor to confirm onsite as  
 joinery suites may vary.



Ultraclad® UA 4533  
 Head Starter

Ultraclad® UA 7584  
 Jamb Flashing



**ULLTRACLAD®**  
 ALUMINIUM WEATHERBOARDS

ULLTRACLAD ALUMINIUM CO LTD  
 PO Box 98 843 Manukau City Auckland 2241  
 118 Wiri Station Road Wiri 2104 New Zealand  
 TL 09 262 6262 Ext. 814 Mob 021 541 563  
 www.ulltraclad.co.nz  
 © ULLRICH ALUMINIUM - All Rights Reserved

**H15**

Rev : 10

**Head - Jamb Notching Details**  
 UA 5059 TRADITIONAL BOARD

**HORIZONTAL CAVITY SYSTEM**  
 Scale: 1 : 2 @ A4 - 2019

Branz Appraisal #487 2019. (Horizontal)

Note: Underlay strips to isolate aluminium from treated timber battens  
Refer V00

Ultraclad® UA 5059 weatherboards (horizontal) fixed with Locator Clips fixed at Max 600 mm horizontal centres with 8g x 2" CSK Sq S/S self tapping screws through batten into stud

Cavity batten  
Refer V00 Batten Options

Ultraclad® Cavity Vent Strip  
Alternatively use PVC type

Fixed to lintel at 600 mm centres with 50 x 2.5 mm stainless steel clout

Vertical track flashing 0.9 mm folded aluminium flashing (hemmed) 150 mm above Meter Box head or inter-storey.  
Alternatively use Dynex Dynafash

Ultraclad® UA 4533 Head Starter 5 mm diameter drainage holes drilled through base of flashing at 300 mm centres

Aluminium flashing 15° slope  
(Note: not supplied with Ultraclad® system - contractor to supply as additional flashing, Stop end etc.)

20mm x 20mm angle sealed and riveted to meter box

Note: Ensure to alternate spacings of fixings for battens and Locator Clips to avoid risk of splitting batten

Building underlay continuous behind head flashing and into opening

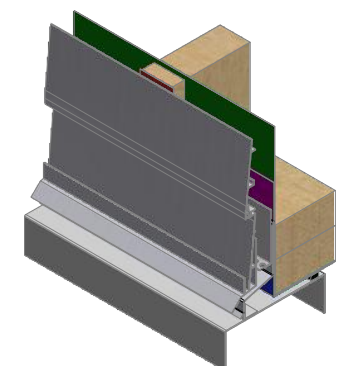
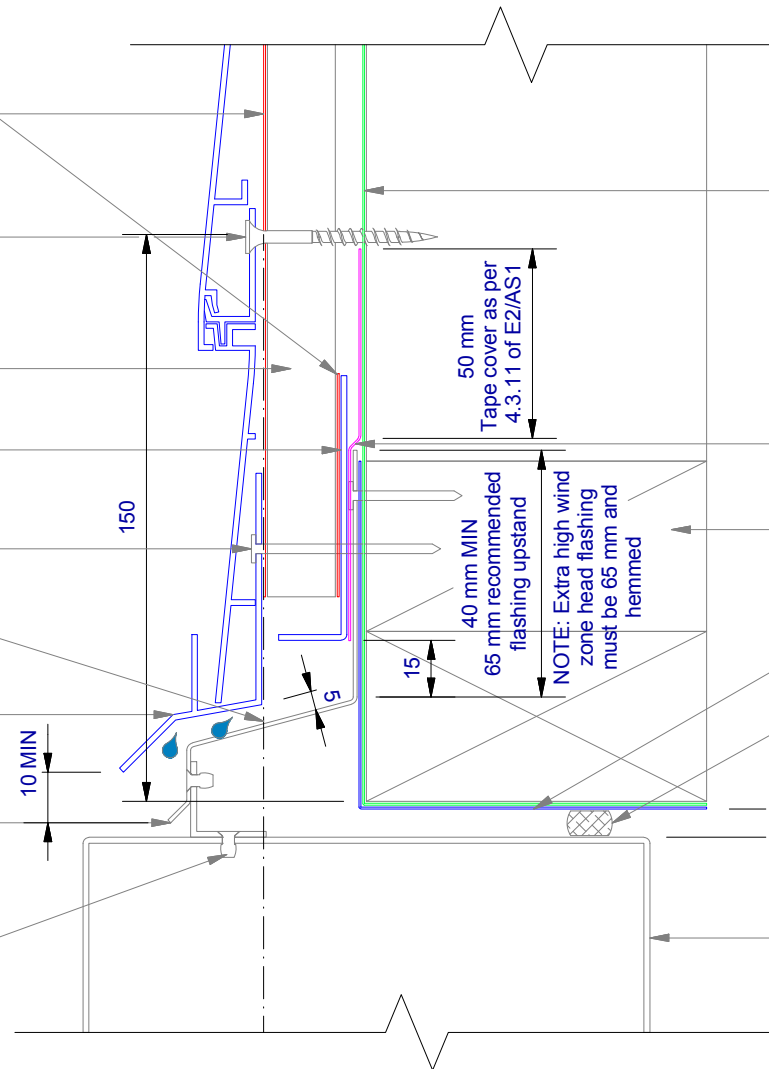
Flashing tape

Nog as required

Flexible flashing tape at corners

Air seal over PEF Rod around all sides of meter box

Meter box



**ULLTRACLAD®**  
ALUMINIUM WEATHERBOARDS

ULLTRACLAD ALUMINIUM CO LTD  
PO Box 98 843 Manukau City Auckland 2241  
118 Wiri Station Road Wiri 2104 New Zealand  
TL 09 262 6262 Ext. 814 Mob 021 541 563  
www.ulltraclad.co.nz  
© ULLRICH ALUMINIUM - All Rights Reserved

**H16**

Rev : 10

**Meter Box Head on Cavity**  
**UA 5059 TRADITIONAL BOARD**

**HORIZONTAL CAVITY SYSTEM**

Scale: 1 : 2 @ A4 - 2019

Brnz Appraisal #487 2019. (Horizontal)

Vertical track flashing 0.9 mm folded aluminium flashing (hemmed) 150 mm above Meter Box Head.  
Alternatively use Dynex Dynaflash

Screw through UA 7584 base and fixed to framing with 8g x 2" CSK Sq. S/S self tapping screws

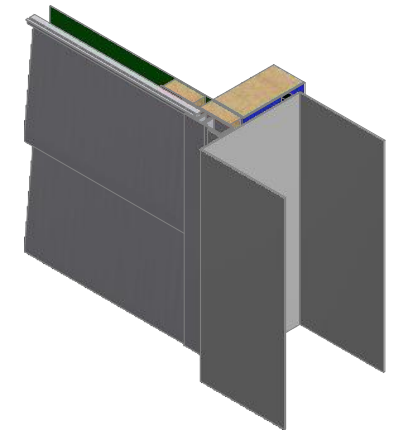
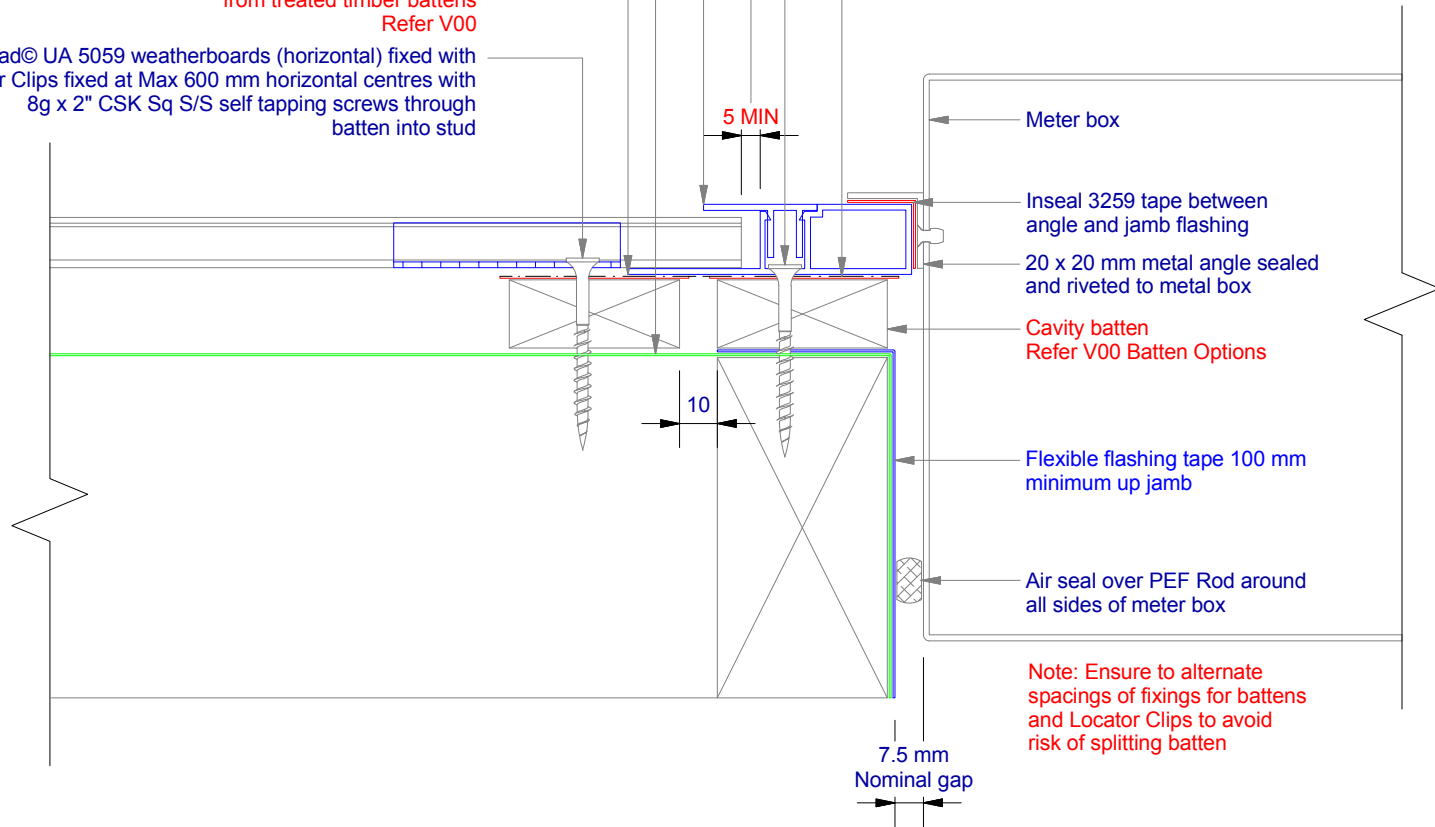
Minimum 5 mm clearance to allow for thermal expansion

Ultraclad® UA 5833 Soffit Clip Top

Building underlay continuous around opening

Note: Underlay strips to isolate aluminium from treated timber battens  
Refer V00

Ultraclad® UA 5059 weatherboards (horizontal) fixed with Locator Clips fixed at Max 600 mm horizontal centres with 8g x 2" CSK Sq S/S self tapping screws through batten into stud



**ULLTRACLAD**®  
ALUMINIUM WEATHERBOARDS

ULLTRACLAD ALUMINIUM CO LTD  
PO Box 98 843 Manukau City Auckland 2241  
118 Wiri Station Road Wiri 2104 New Zealand  
TL 09 262 6262 Ext. 814 Mob 021 541 563

[www.ulltracalad.co.nz](http://www.ulltracalad.co.nz)

© ULLRICH ALUMINIUM - All Rights Reserved

**H17**

Rev : 10

**Meter Box Jamb on Cavity**  
UA 5059 TRADITIONAL BOARD

**HORIZONTAL CAVITY SYSTEM**

Scale: 1 : 2 @ A4 - 2019

Brnz Appraisal #487 2019. (Horizontal)

Vertical track flashing 0.9 mm folded aluminium flashing (hemmed) 150 mm above Meter Box Head. Alternatively use Dynex Dynaflash

20 x 20 mm metal angle sealed and riveted to meter box

10

Inseal 3259 tape between angle and jamb flashing

Screw through UA 7584 base and fixed to framing with 8g x 2" CSK Sq. S/S self tapping screws.

5

Minimum 5 mm clearance to allow for thermal expansion

Ulltraclad® UA 5833 Soffit Clip Top

Clearance hole in board larger than screw gauge to allow for thermal expansion

Note: Underlay strips to isolate aluminium from treated timber battens Refer V00

Cavity batten Refer V00 Batten Options

Ulltraclad® UA 5059 weatherboards (horizontal) fixed with Locator Clips fixed at Max 600 mm horizontal centres with 8g x 2" CSK Sq S/S self tapping screws through batten into stud

Building underlay continuous around opening

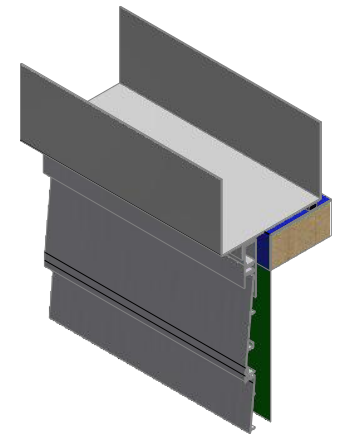
Meter box

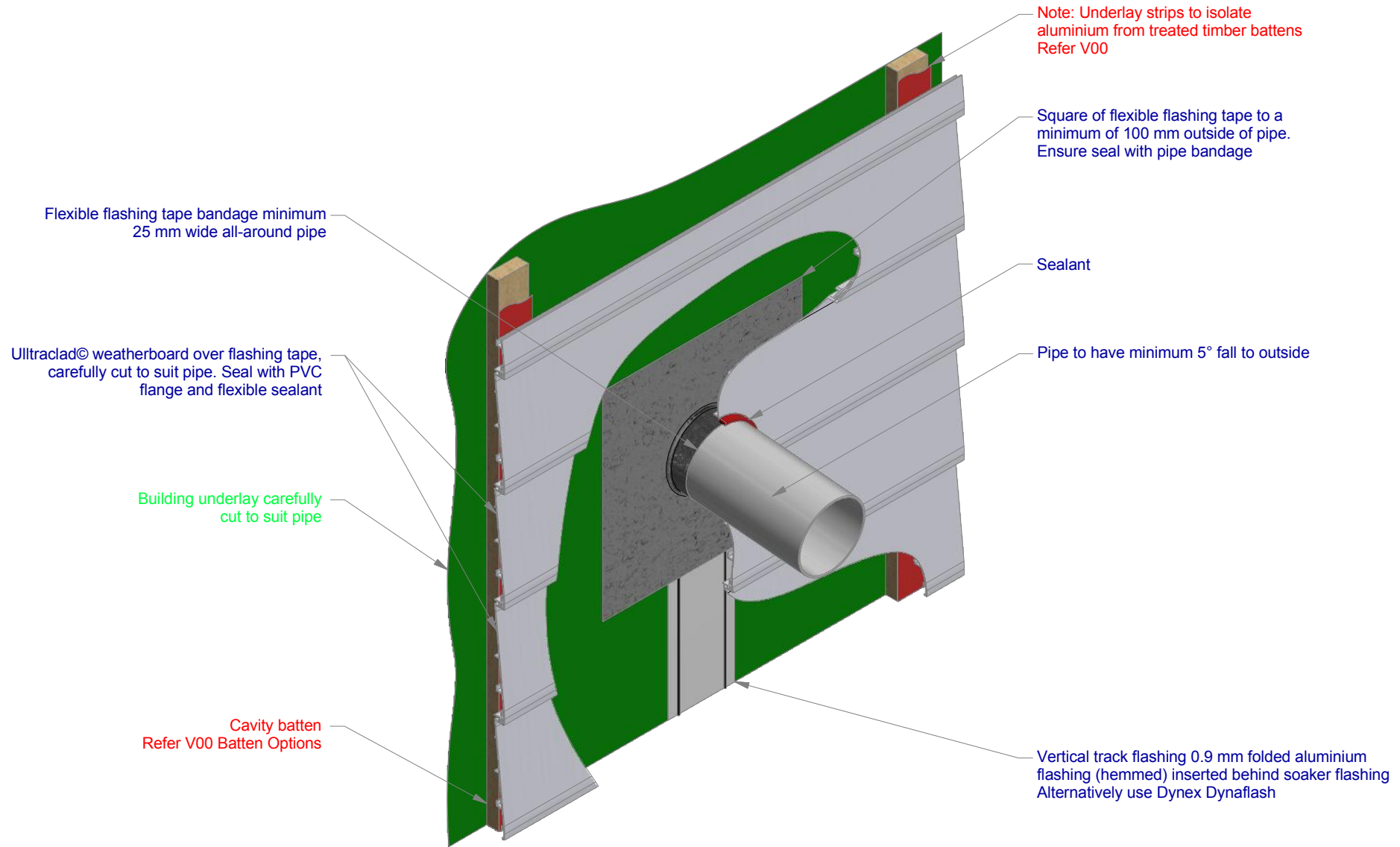
Flexible flashing tape to sill and jambs

7.5 mm nominal gap

Air seal over PEF Rod around all sides of the meter box

Note: Ensure to alternate spacings of fixings for battens and Locator Clips to avoid risk of splitting batten





Building underlay over apron flashing

Ultraclad® UA 5059 weatherboards (horizontal) fixed with Locator Clips fixed at Max 600 mm horizontal centres with 8g x 2" CSK Sq S/S self tapping screws through batten into stud

Cavity batten  
Refer V00 Batten Options

Note: Underlay strips to isolate aluminium from treated timber battens.  
Refer V00

Ultraclad® Cavity Vent Strip  
Alternatively use PVC type

Ultraclad® UA 4863 Vertical Starter alternatively use UA 4862. 5 mm diameter drainage hole drilled through base of Vertical Starter at 300 mm centres

Apron flashing with 75 mm up stand cover behind cladding

Turn-down to suit roofing profile

Flashing length  
See Table 7 E2/AS1

Note: Ensure to alternate spacings of fixings for battens and Locator Clips to avoid risk of splitting batten

Nog as required

75 mm MIN cover above bottom of weatherboard

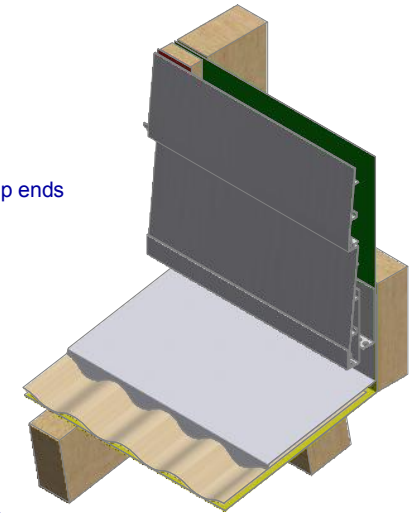
110 MIN Total

35 MIN clear gap

10

Roofing underlay turned up under flashing

Selected roofing with stop ends



**ULLTRACLAD**®  
ALUMINIUM WEATHERBOARDS

ULLTRACLAD ALUMINIUM CO LTD  
PO Box 98 843 Manukau City Auckland 2241  
118 Wiri Station Road Wiri 2104 New Zealand  
TL 09 262 6262 Ext. 814 Mob 021 541 563

www.ulltraclad.co.nz

© ULLRICH ALUMINIUM - All Rights Reserved

**H20**

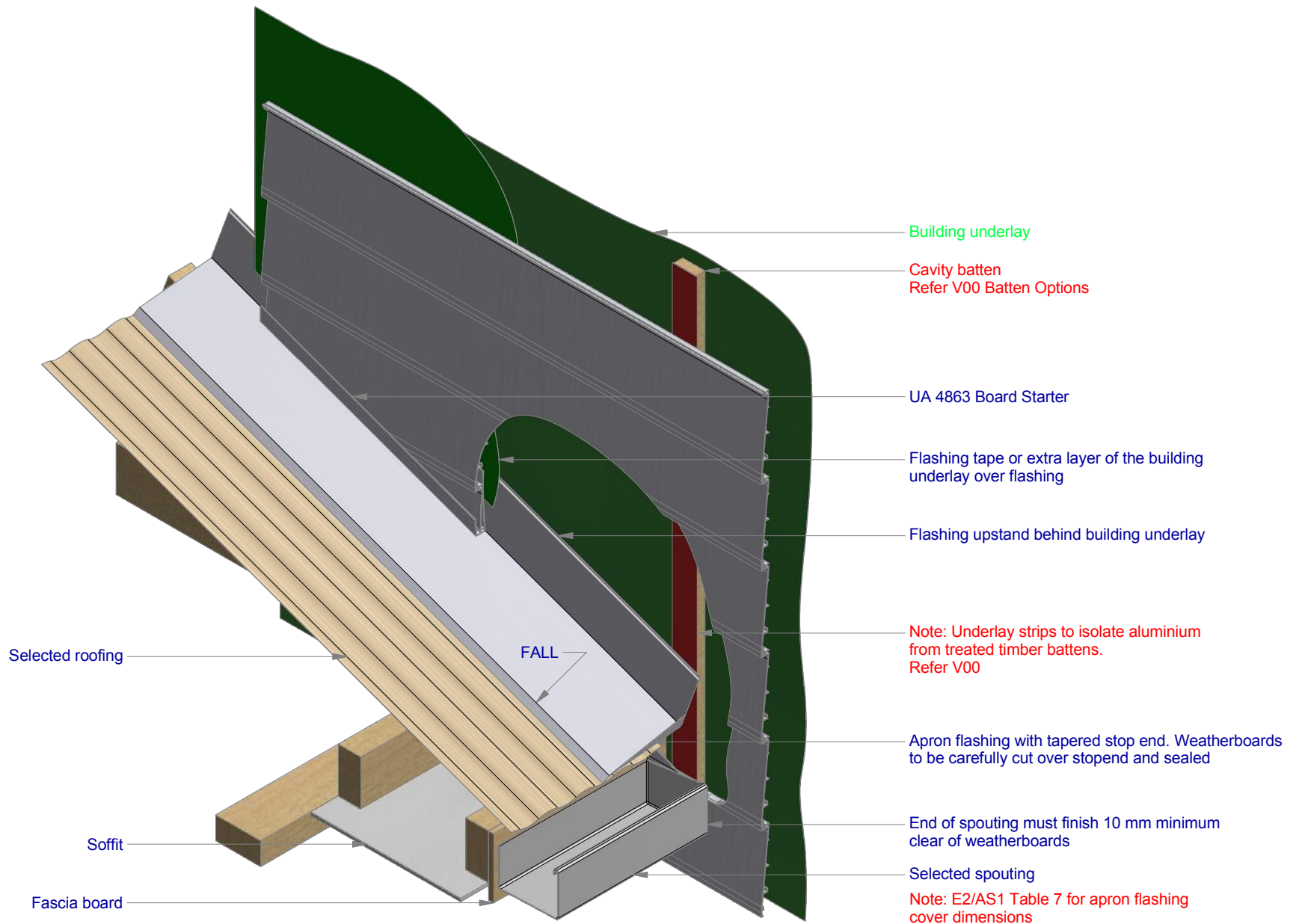
Rev : 10

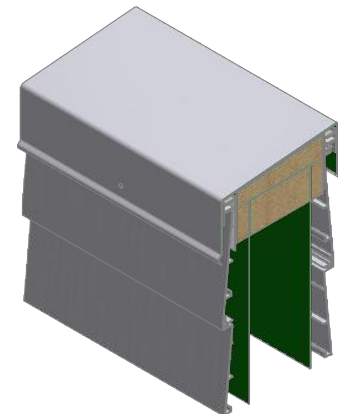
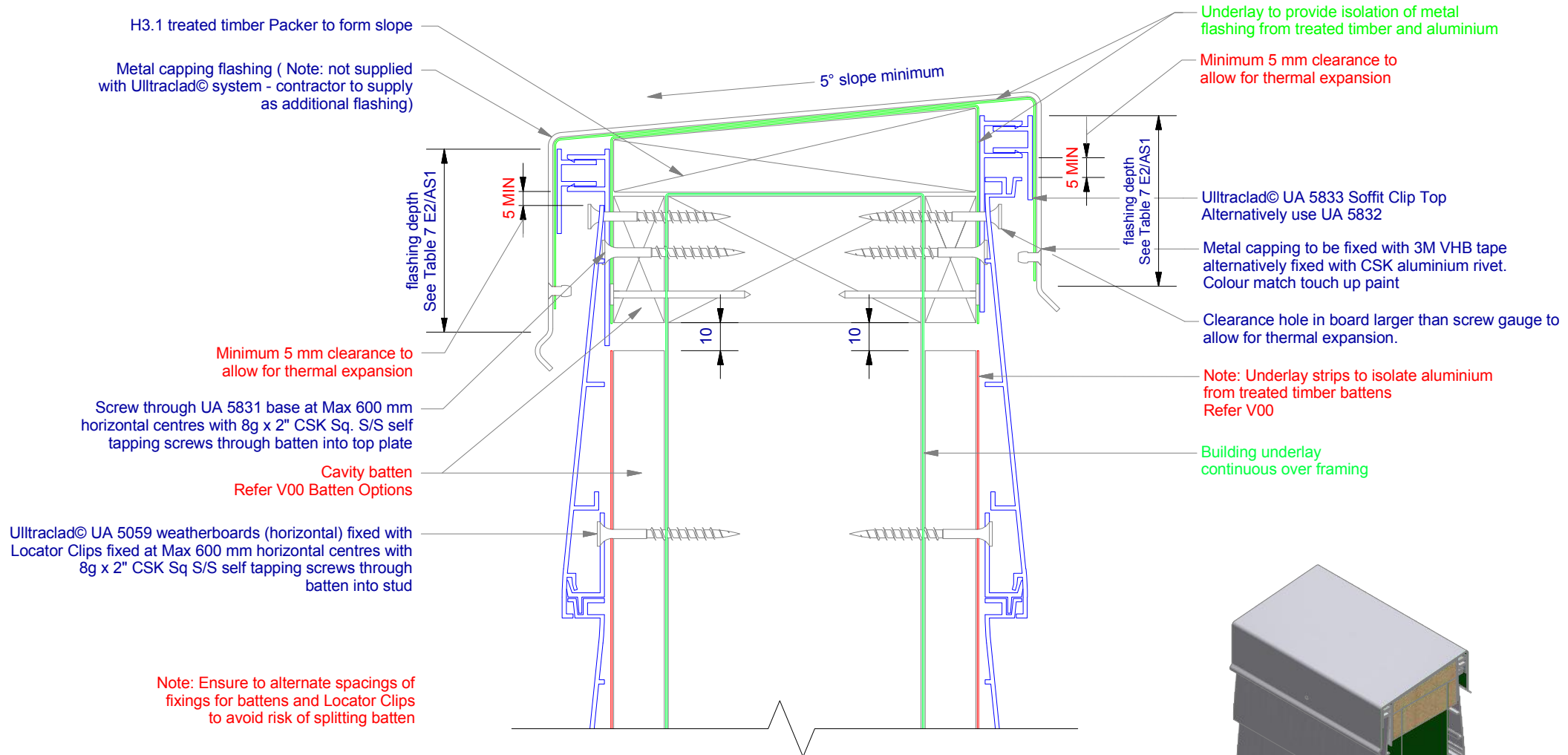
**Roof-Wall Junction on Cavity**  
**UA 5059 TRADITIONAL BOARD**

**HORIZONTAL CAVITY SYSTEM**

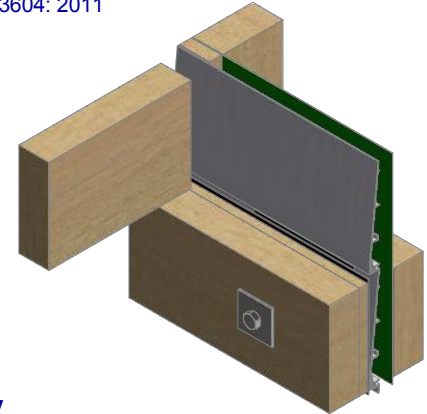
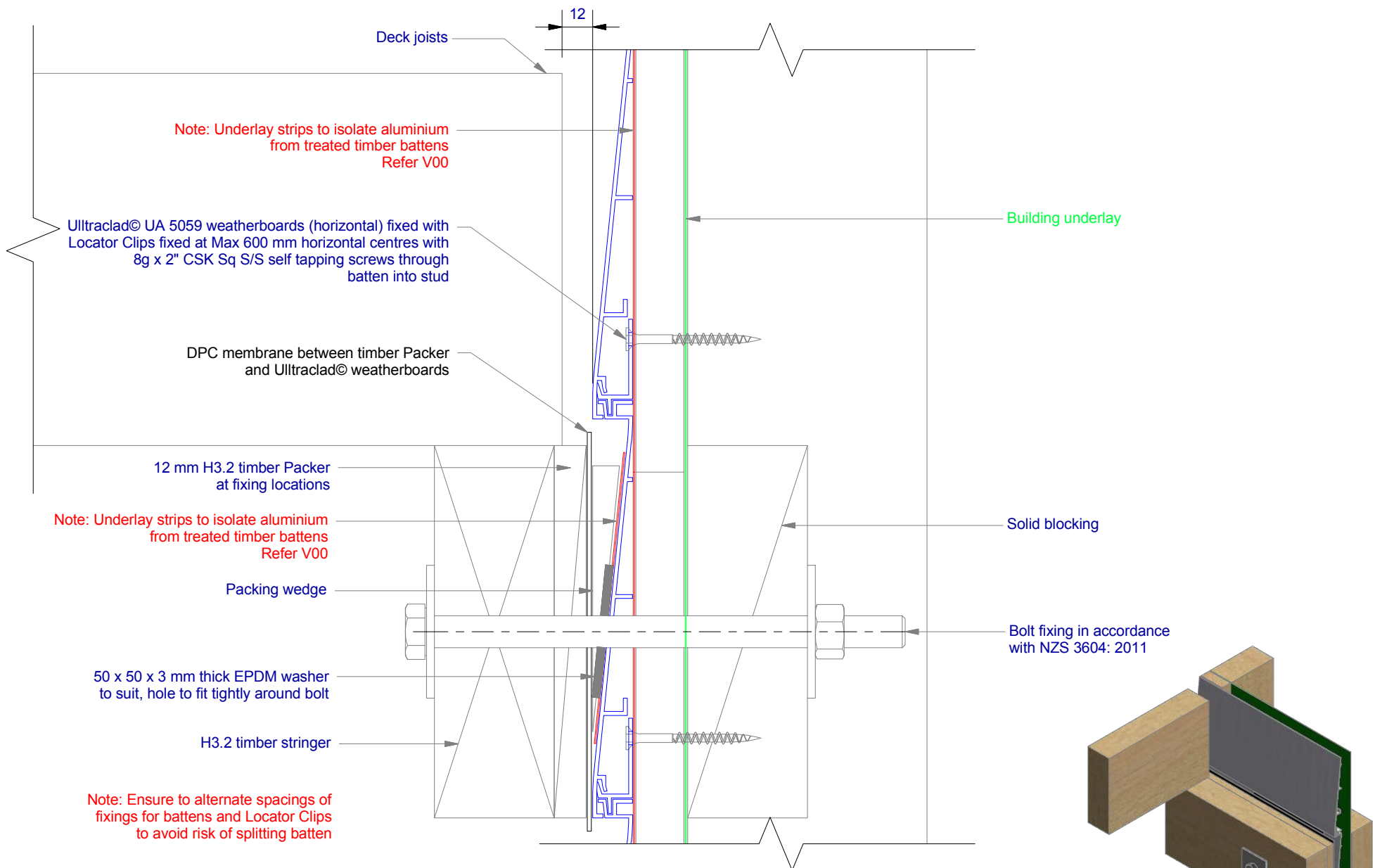
Scale: 1 : 3 @ A4 - 2019

Brnz Appraisal #487 2019. (Horizontal)









**ULLTRACLAD®**  
ALUMINIUM WEATHERBOARDS

ULLTRACLAD ALUMINIUM CO LTD  
PO Box 98 843 Manukau City Auckland 2241  
118 Wiri Station Road Wiri 2104 New Zealand  
TL 09 262 6262 Ext. 814 Mob 021 541 563  
www.ulltraclad.co.nz  
© ULLRICH ALUMINIUM - All Rights Reserved

**H23**  
Rev : 10

**Deck Junction on Cavity**  
**UA 5059 TRADITIONAL BOARD**  
**HORIZONTAL CAVITY SYSTEM**  
Scale: 1 : 2 @ A4 - 2019

Brnz Appraisal #487 2019. (Horizontal)

Note: Ensure to alternate spacings of fixings for battens and Locator Clips to avoid risk of splitting batten

Building underlay

Ulltraclad® UA 5059 weatherboards (horizontal) fixed with Locator Clips fixed at Max 600 mm horizontal centres with 8g x 2" CSK Sq S/S self tapping screws through batten into stud

Flashing tape

Note: Underlay strips to isolate aluminium from treated timber battens Refer V00

Ulltraclad® UA 4862 Board Starter or alternatively use UA 4863 fixed to bottom plate with 50 x 2.5 mm clouts at 600 mm centres

Ulltraclad® UA 7919 Inter-Storey Flashing

Screw through UA 7584 base at Max 600 mm horizontal centres with 8g x 2" CSK Sq. S/S self tapping screws through batten into frame

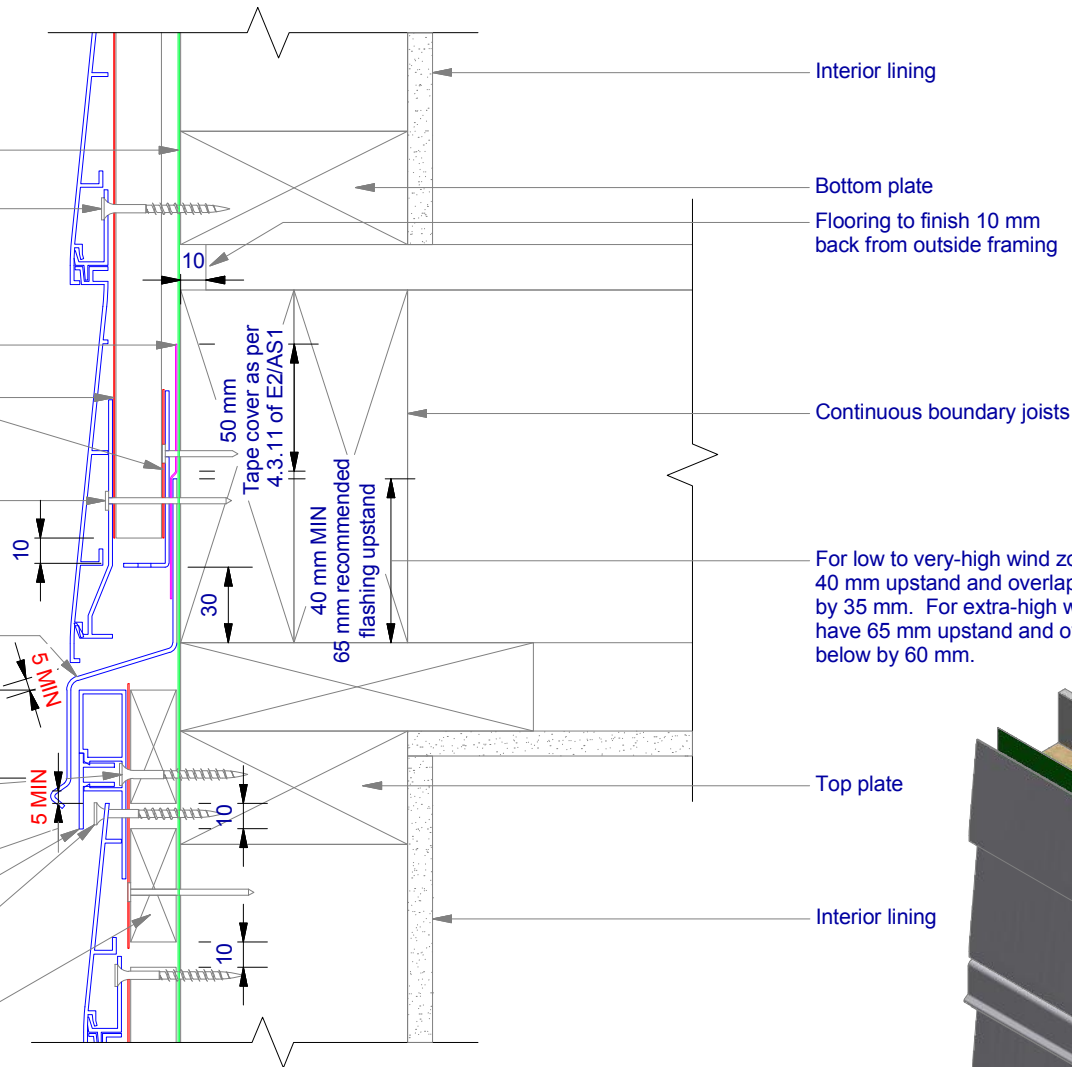
Minimum 5 mm clearance to allow for thermal expansion

Ulltraclad® UA 5833 Soffit Clip Top

Clearance hole in board larger than screw gauge to allow for thermal expansion

Cavity batten Refer V00 Batten Options

Note: this detail is required to limit cavities to 2 storeys or 7 m Max - Refer E2/AS1 clause 9.1.9.4



Interior lining

Bottom plate

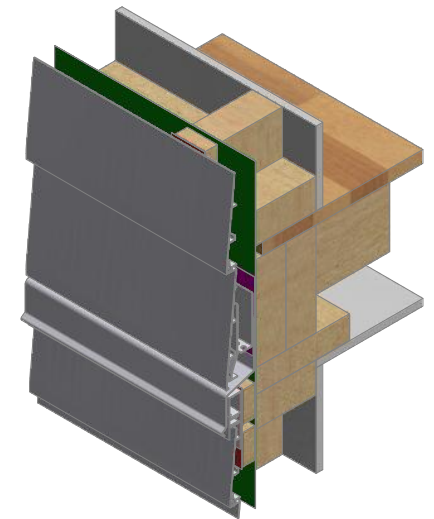
Flooring to finish 10 mm back from outside framing

Continuous boundary joists

For low to very-high wind zones the 'Z' flashing must have a 40 mm upstand and overlap the weatherboard face below by 35 mm. For extra-high wind zones the 'Z' flashing must have 65 mm upstand and overlap the weatherboard face below by 60 mm.

Top plate

Interior lining



**ULLTRA CLAD**<sup>®</sup>  
ALUMINIUM WEATHERBOARDS

ULLTRA CLAD ALUMINIUM CO LTD  
PO Box 98 843 Manukau City Auckland 2241  
118 Wiri Station Road Wiri 2104 New Zealand  
TL 09 262 6262 Ext. 814 Mob 021 541 563

www.ulltraclad.co.nz

© ULLRICH ALUMINIUM - All Rights Reserved

**H24**

Rev : 10

## Inter-Storey Junction on Cavity

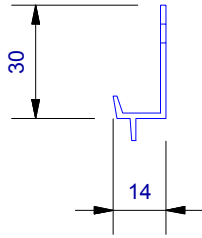
UA 5059 TRADITIONAL BOARD

**HORIZONTAL CAVITY SYSTEM**

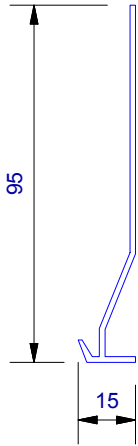
Scale: 1 : 3 @ A4 - 2019

Brnz Appraisal #487 2019. (Horizontal)

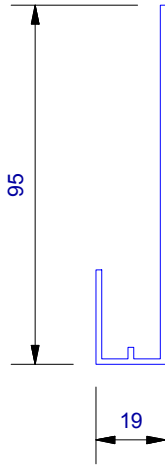
UA 4535  
Locator Clip



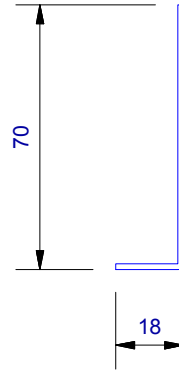
UA 4862  
Board Starter A



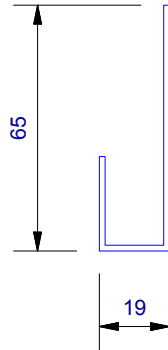
UA 4863  
Board Starter B



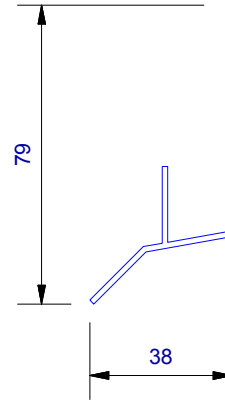
Cavity Vent Strip



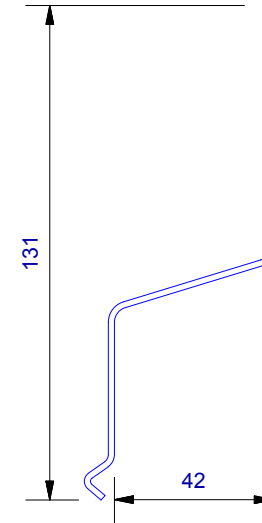
UA 4532  
J Moulding



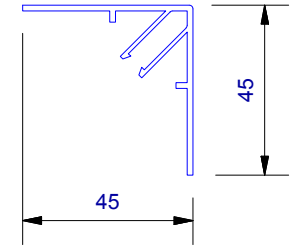
UA 4533  
Head Starter



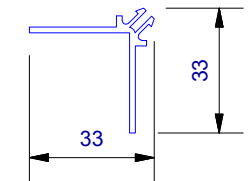
UA 7919  
Inter-Storey Flashing



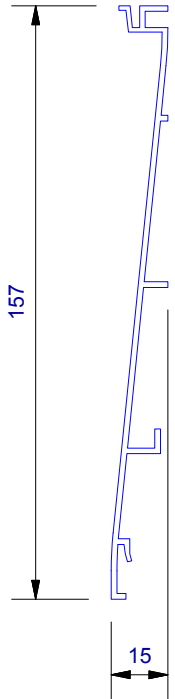
UA 7094  
Female Flat Corner



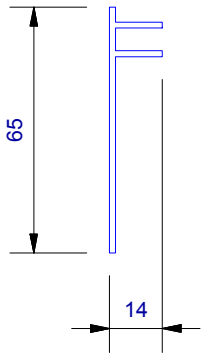
UA 7095  
Male Flat Corner



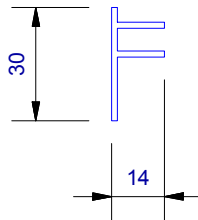
UA 5059  
Traditional Board



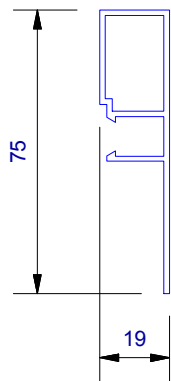
UA 5832  
Soffit 65mm Clip Top



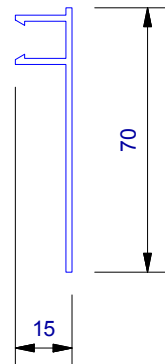
UA 5833  
Soffit 30mm Clip Top



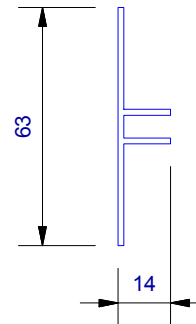
UA 7584  
Jamb/Sill Clip Base



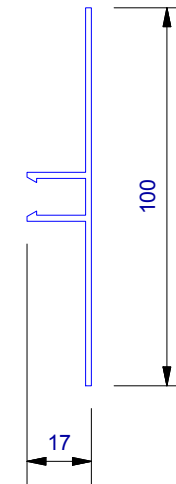
UA 5831  
Soffit Clip Base



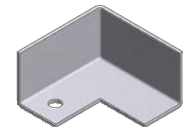
UA 7096  
Flat Joints Top



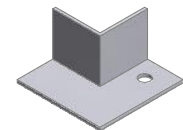
UA 6324  
2 Piece Joints Base



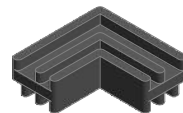
CLADNRCAPE  
External Corner Cap ( 1 : 3 )



CLADNRCAPI  
Internal Corner Cap ( 1 : 3 )



CLADSTAKECNR  
Plastic Staking Corner ( 1 : 3 )



**ULLTRACLAD**<sup>®</sup>  
ALUMINIUM WEATHERBOARDS

ULLTRACLAD ALUMINIUM CO LTD  
PO Box 98 843 Manukau City Auckland 2241  
118 Wiri Station Road Wiri 2104 New Zealand  
TL 09 262 6262 Ext. 814 Mob 021 541 563

www.ulltraclad.co.nz

© ULLRICH ALUMINIUM - All Rights Reserved

**H25**

Rev : 10

**TRADITIONAL PROFILES**  
UA 5059 TRADITIONAL BOARD

**HORIZONTAL CAVITY SYSTEM**

Scale: 1 : 2 @ A4 - 2019

Brnz Appraisal #487 2019. (Horizontal)