

UA4917 TEE BOARD HORIZONTAL CAVITY SYSTEM

REV: 10 2019

H00 : Wall Batten Elevation
H01 : External Corner on Cavity
H02 : Internal Corner on Cavity
H03 : Horizontail wall Jointer
H04 : 90° deg Corner Cap
H05 : Vertical Wall Starter
H06 : No Soffit Detail on Cavity
H07 : Soffit Detail on Cavity
H08 : Timber Floor on Cavity
H09 : Window Head on Cavity
H10 : Window Jam on Cavity
H11 : Window Sill on Cavity
H12 : Sill-Jamb on Cavity

H13 : Head flashing / Head Starter / Jamb iso
H14 : Head - Jamb iso
H15 : Head - Jamb Notching Details
H16 : Meter Box Head on Cavity
H17 : Meter Box Jamb on Cavity
H18 : Meter Box Sill on Cavity
H19 : Pipe Penetration on Cavity
H20 : Roof-Wall Junction on Cavity
H21 : Gutter Wall Junction on Cavity
H22 : Parapet on Cavity
H23 : Deck Junction on Cavity
H24 : Inter-Storey Junction on Cavity
H25 : Tee Board Profiles

ULLTRACLAD[®]
ALUMINIUM WEATHERBOARDS

ULLTRACLAD ALUMINIUM CO LTD
PO Box 98 843 Manukau City Auckland 2241
118 Wiri Station Road Wiri 2104 New Zealand
TL 09 262 6262 Ext. 814 Mob 021 541 563

www.ulltraclad.co.nz

© ULLRICH ALUMINIUM - All Rights Reserved

HOR

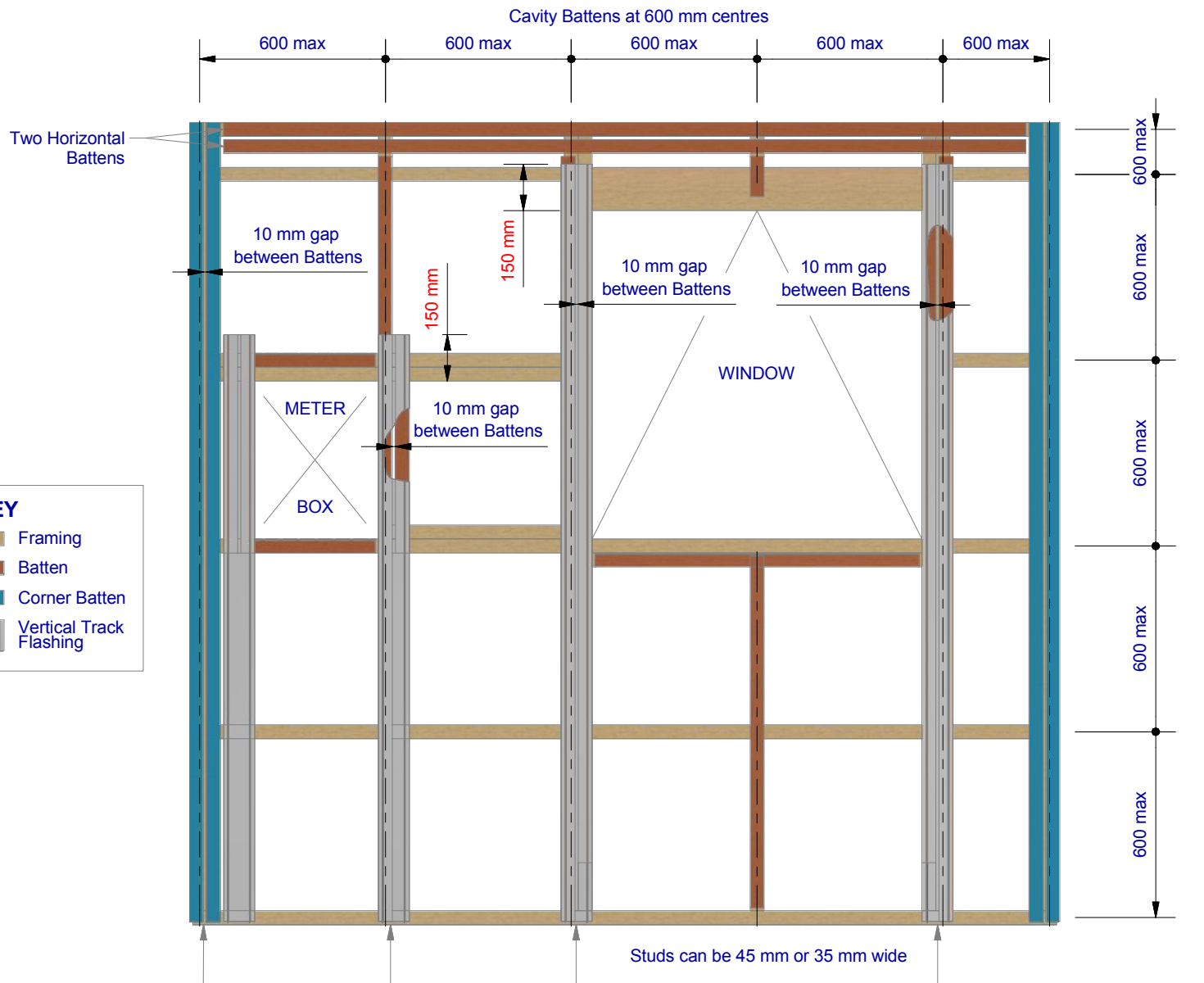
Rev : 10

UA 4917 TEE BOARD

HORIZONTAL CAVITY SYSTEM

Scale: 1 : 1 @ A4 - 2019

Brnz Appraisal #487 2019. (Horizontal)



KEY

- Framing
- Batten
- Corner Batten
- Vertical Track Flashing

Batten options

Impervious barrier (MDPE) or similar tape between cladding and batten.
 To comply with NZBC E2/AS1 - Table 23.
 Note:
 Some machining of battens may be required to avoid "build up".
 i.e. back flashings / tapes

Cavity plastic Batten
 Note:
 packing/shims may be needed to ensure boards are fitted flat without distortion.

* Additional timber may be required at soffit to support UA 5831 Soffit Base.

Note: Important

Underlay strips to isolate aluminium from treated timber battens 50 mm wide medium density polyethylene (MDPE)

To comply with NZBC E2/AS1 - Table 23.
 Properties of roofing underlays and wall underlays, separates aluminium components and accessories from timber battens treated with copper-based treatments

Cavity closers required as per NZBC E2/AS1 (section 9.1.8)

Vertical Cavity Corner Batten
 50 x 25 mm H3.1 treated Radiata. Cavity battens fixed with 6g x 1.25" CSK Sq S/S pre-drilled screws through batten into stud

0.9 x 90 mm Aluminium Track Flashing.
 Alternatively use Dynex Dynafash.

Locator Clips fixed at Max 600 mm horizontal centres with 8g x 2" CSK Sq S/S self tapping screws through batten into stud

Vertical cavity batten (corners only) fixed with 6g x 1.25" CSK Sq S/S pre-drilled screws through batten into stud

5 MIN

Minimum 5 mm clearance to allow for thermal expansion

Ultraclad® UA 7094 Female Corner Flashing

Ultraclad® UA 7095 Male Corner Flashing fixed to timber battens with 30 x 2.5 mm stainless steel clouts at 600 mm vertical centres

5 MIN

Ultraclad® UA 4917 weatherboard

Note: Underlay strips to isolate aluminium from treated timber battens Refer V00

Cavity batten Refer V00 Batten Options

Locator Clip UA 4535

Building underlay continuous around corner

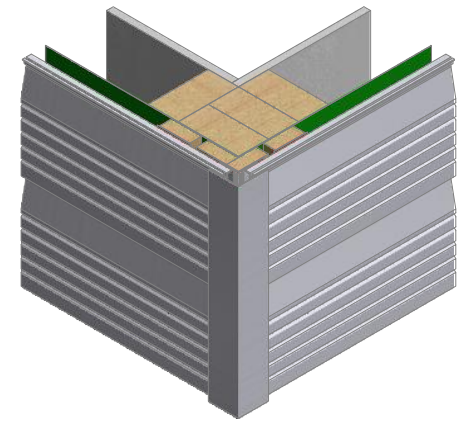
Wall frame

Interior lining

10

10

Note: Ensure to alternate spacings of fixings for battens and Locator Clips to avoid risk of splitting batten



ULLTRACLAD[®]
ALUMINIUM WEATHERBOARDS

ULLTRACLAD ALUMINIUM CO LTD
PO Box 98 843 Manukau City Auckland 2241
118 Wiri Station Road Wiri 2104 New Zealand
TL 09 262 6262 Ext. 814 Mob 021 541 563
www.ulltracalad.co.nz
© ULLRICH ALUMINIUM - All Rights Reserved

H01
Rev : 10

External Corner on Cavity
UA 4917 TEE BOARD

HORIZONTAL CAVITY SYSTEM
Scale: 1 : 2 @ A4 - 2019

Brnz Appraisal #487 2019. (Horizontal)

Ulltraclad® UA 4917 weatherboard (horizontal)

Locator Clips fixed at Max 600 mm horizontal centres with 8g x 2" CSK Sq S/S self tapping screws through batten into stud

Note: Underlay strips to isolate aluminium from treated timber battens Refer V00

Ulltraclad® UA 7094 Female Corner Flashing fixed to timber battens with 30 x 2.5 mm stainless steel clouts at 600 mm vertical centres

Minimum 5 mm clearance to allow for thermal expansion

Ulltraclad® UA 7095 Male Corner Flashing

Locator Clip UA 4535

Interior lining

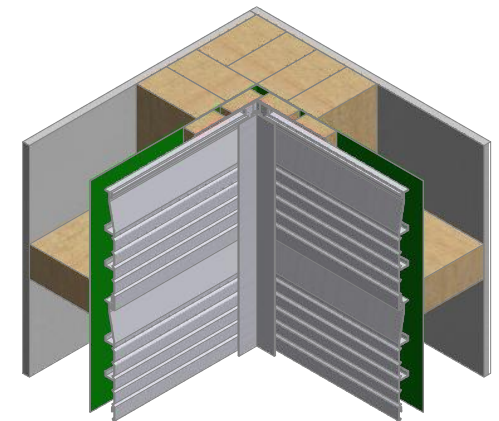
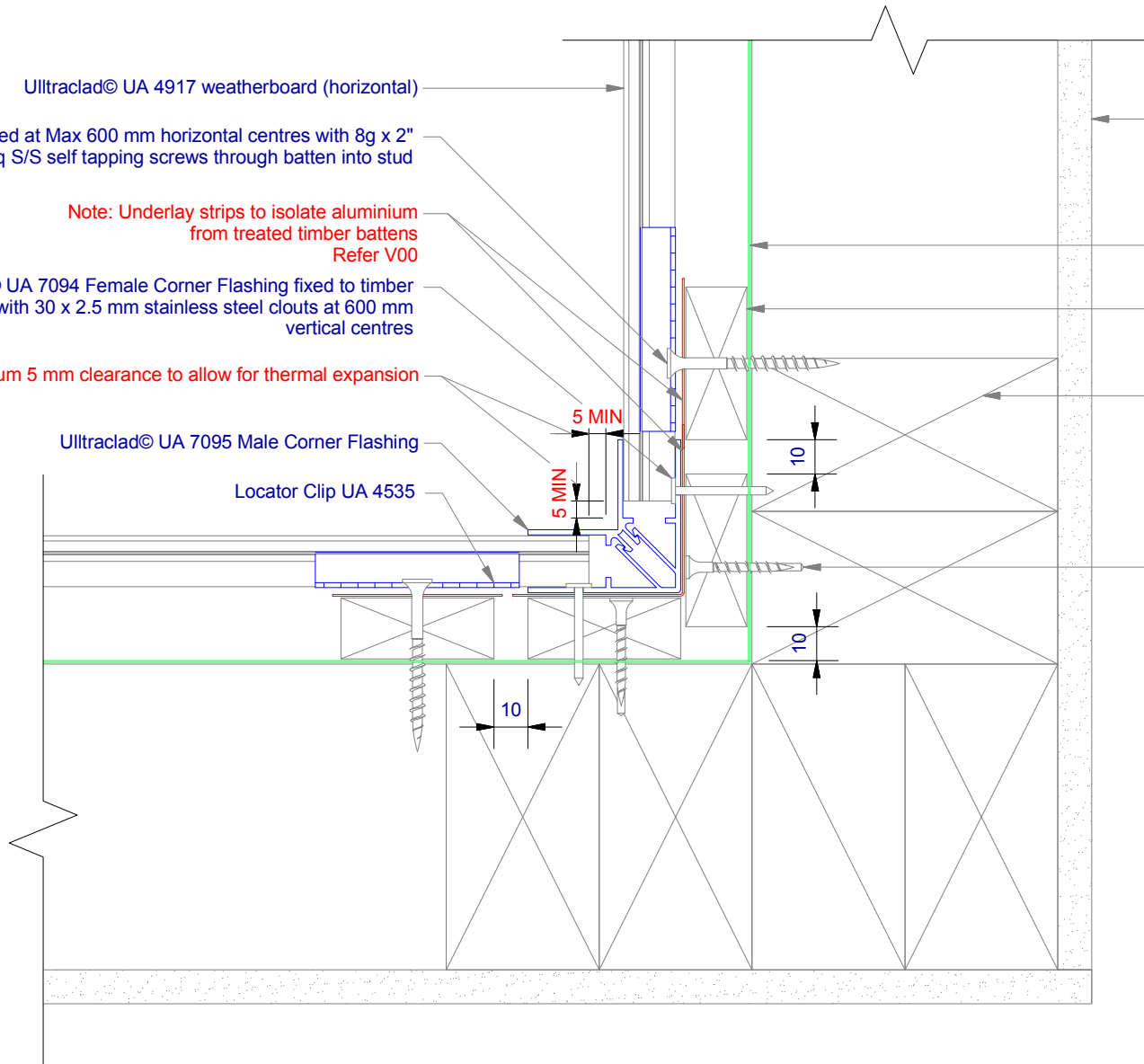
Building underlay continuous around corner

Cavity batten Refer V00 Batten Options

Note: double stud required at internal corners

Vertical cavity batten (corners only) fixed with 6g x 1.25" CSK Sq S/S pre-drilled screws through batten into stud

Note: Ensure to alternate spacings of fixings for battens and Locator Clips to avoid risk of splitting batten



ULLTRACLAD®
ALUMINIUM WEATHERBOARDS

ULLTRACLAD ALUMINIUM CO LTD
PO Box 98 843 Manukau City Auckland 2241
118 Wiri Station Road Wiri 2104 New Zealand
TL 09 262 6262 Ext. 814 Mob 021 541 563

www.ulltraclad.co.nz
© ULLRICH ALUMINIUM - All Rights Reserved

H02

Rev : 10

Internal Corner on Cavity
UA 4917 TEE BOARD

HORIZONTAL CAVITY SYSTEM
Scale: 1 : 2 @ A4 - 2019

Brnz Appraisal #487 2019. (Horizontal)

Minimum 5 mm clearance to allow for thermal expansion

Minimum 5 mm clearance to allow for thermal expansion

Ultraclad® UA 6324 Jointer Bottom
fixed to wall frame with 30 x 2.5 mm
clouts at 600 mm centres

Ultraclad® UA 7096 Flat Jointer Top

Cavity batten
Refer V00 Batten Options

Ultraclad® UA 4917 weatherboard

Building underlay

Note: Underlay strips to isolate aluminium
from treated timber battens
Refer V00

Drained and vented cavity as per NZBC
E2/AS1 (section 9.1.8)

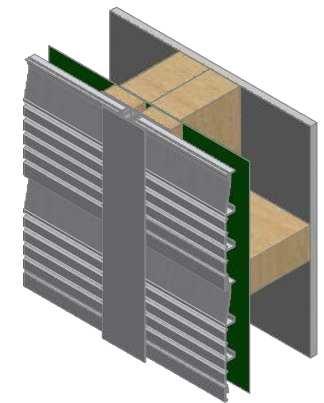
5 MIN 5 MIN

10

Note: Ensure to alternate spacings of
fixings for battens and Locator Clips
to avoid risk of splitting batten

Interior lining

Double studs behind vertical jointer



ULLTRACLAD®
ALUMINIUM WEATHERBOARDS

ULLTRACLAD ALUMINIUM CO LTD
PO Box 98 843 Manukau City Auckland 2241
118 Wiri Station Road Wiri 2104 New Zealand
TL 09 262 6262 Ext. 814 Mob 021 541 563

www.ulltraclad.co.nz

© ULLRICH ALUMINIUM - All Rights Reserved

H03

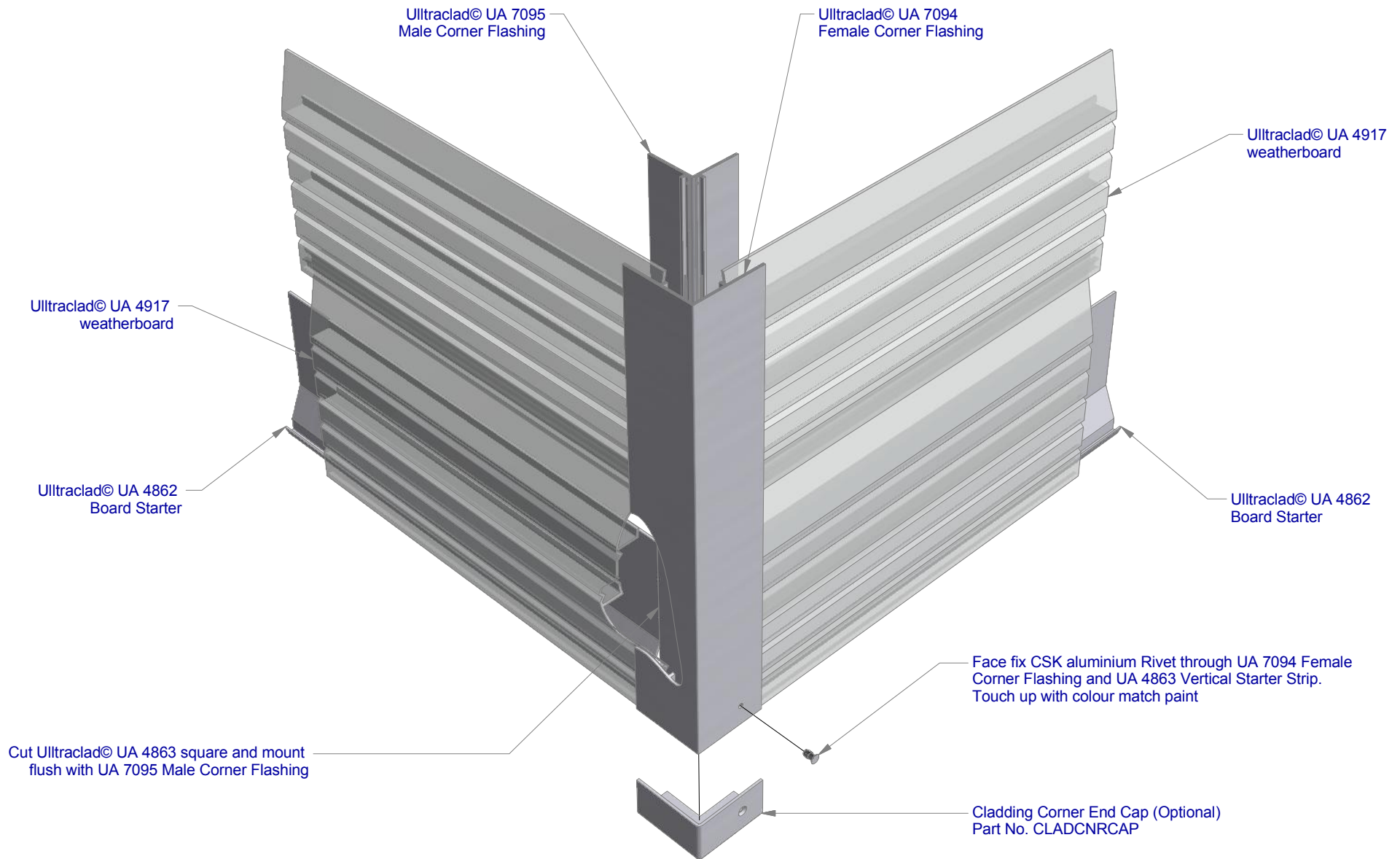
Rev : 10

Horizontal Wall Jointer
UA 4917 TEE BOARD

HORIZONTAL CAVITY SYSTEM

Scale: 1 : 2 @ A4 - 2019

Brnz Appraisal #487 2019. (Horizontal)



ULLTRACLAD[®]
ALUMINIUM WEATHERBOARDS

ULLTRACLAD ALUMINIUM CO LTD
PO Box 98 843 Manukau City Auckland 2241
118 Wiri Station Road Wiri 2104 New Zealand
TL 09 262 6262 Ext. 814 Mob 021 541 563

www.ulltraclad.co.nz

© ULLRICH ALUMINIUM - All Rights Reserved

H04

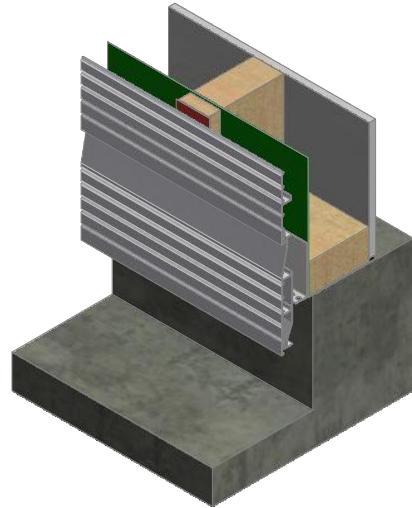
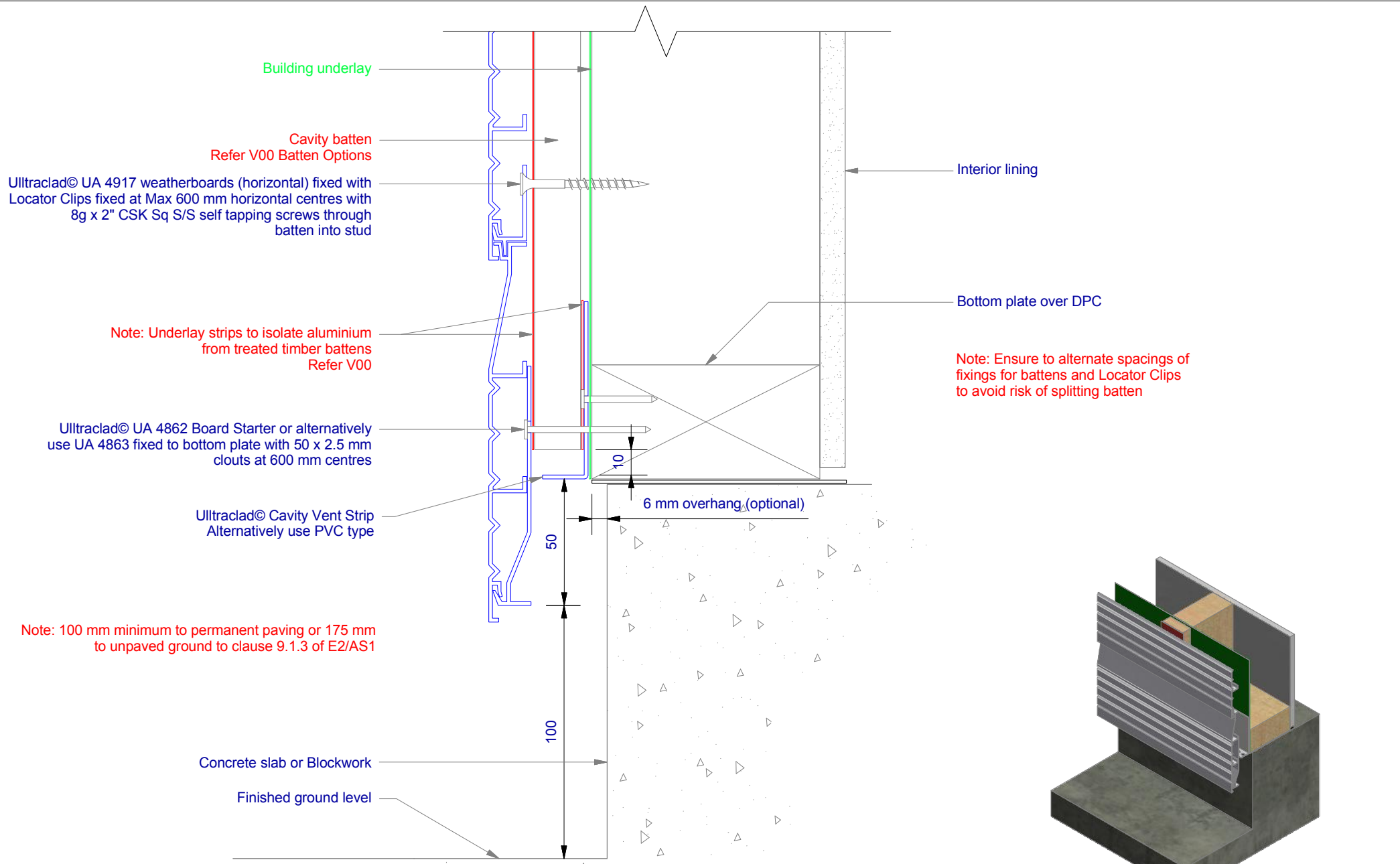
Rev : 10

90° deg Corner Cap
UA 4917 TEE BOARD

HORIZONTAL CAVITY SYSTEM

Scale: 1 : 3 @ A4 - 2019

Brnz Appraisal #487 2019. (Horizontal)



ULLTRA CLAD[®]
ALUMINIUM WEATHERBOARDS

ULLTRA CLAD ALUMINIUM CO LTD
PO Box 98 843 Manukau City Auckland 2241
118 Wiri Station Road Wiri 2104 New Zealand
TL 09 262 6262 Ext. 814 Mob 021 541 563
www.ulltraclad.co.nz
© ULLRICH ALUMINIUM - All Rights Reserved

H05

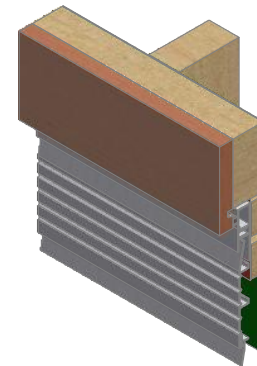
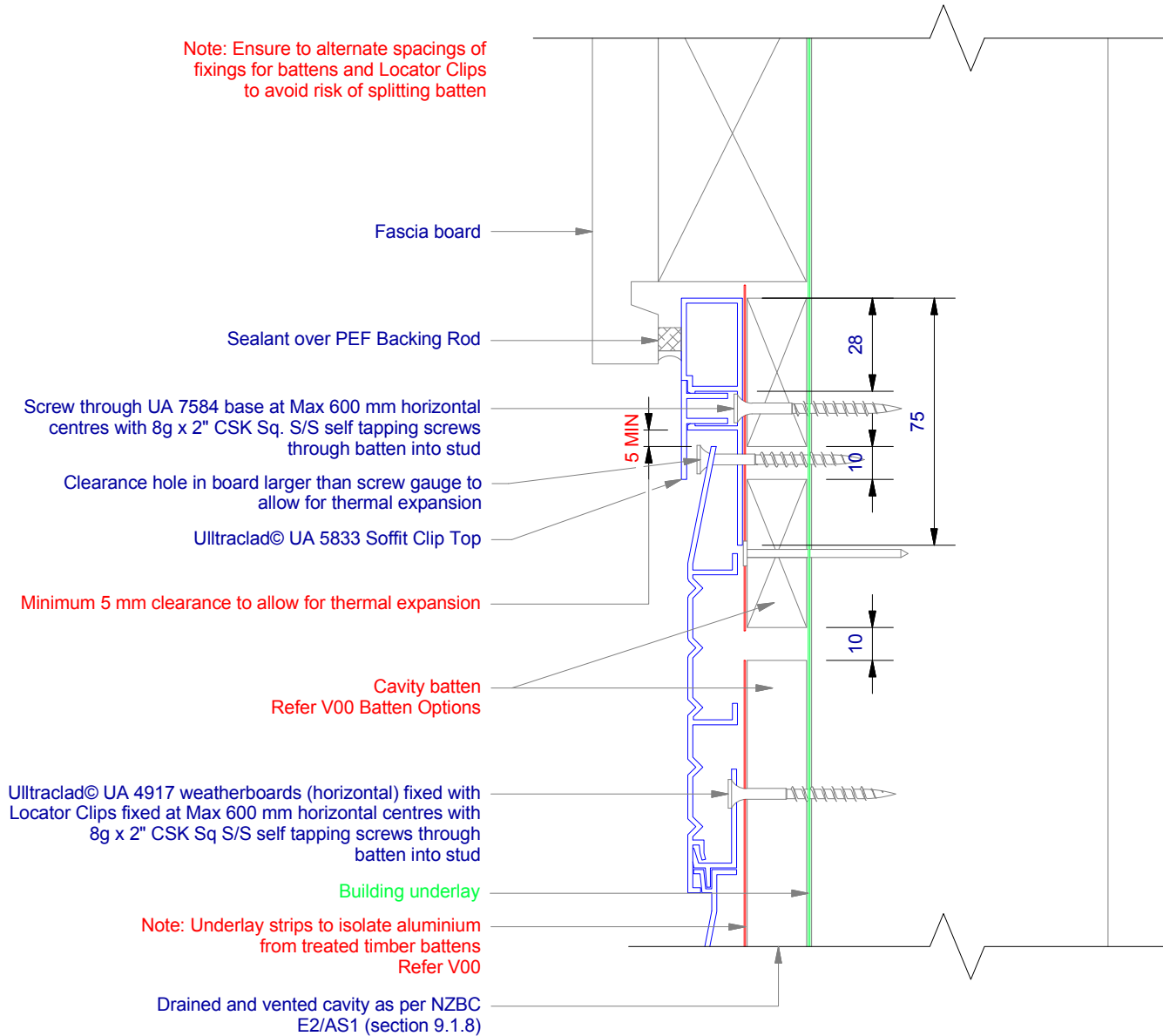
Rev : 10

Vertical Wall Starter
UA 4917 TEE BOARD

HORIZONTAL CAVITY SYSTEM
Scale: 1 : 2 @ A4 - 2019

Brnz Appraisal #487 2019. (Horizontal)

Note: Ensure to alternate spacings of fixings for battens and Locator Clips to avoid risk of splitting batten



ULLTRACLAD[®]
ALUMINIUM WEATHERBOARDS

ULLTRACLAD ALUMINIUM CO LTD
PO Box 98 843 Manukau City Auckland 2241
118 Wiri Station Road Wiri 2104 New Zealand
TL 09 262 6262 Ext. 814 Mob 021 541 563

www.ulltracalad.co.nz

© ULLRICH ALUMINIUM - All Rights Reserved

H06

Rev : 10

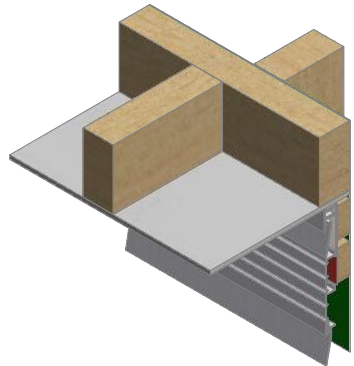
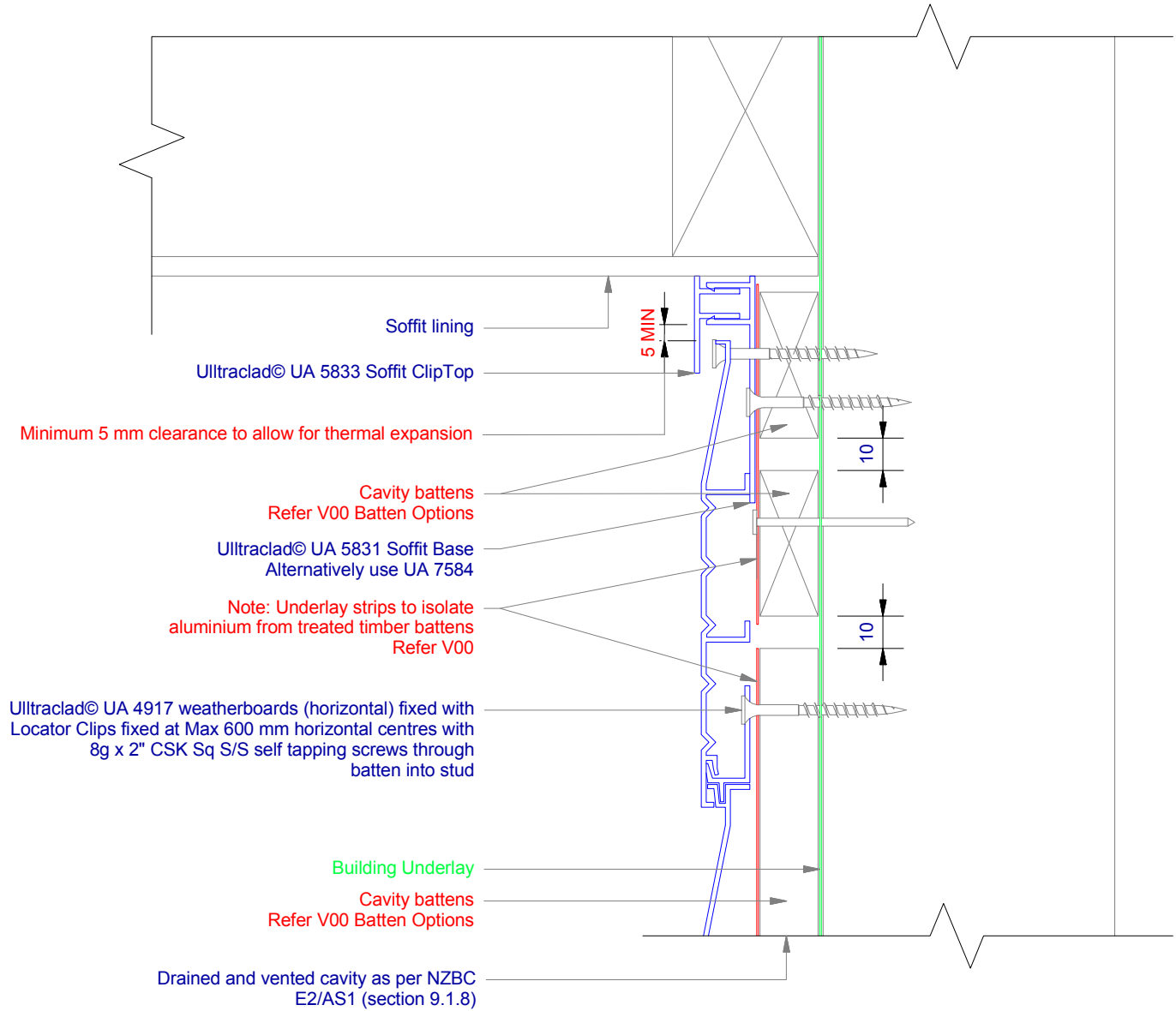
No Soffit Detail on Cavity
UA 4917 TEE BOARD

HORIZONTAL CAVITY SYSTEM

Scale: 1 : 2 @ A4 - 2019

Brnz Appraisal #487 2019. (Horizontal)

Note: Ensure to alternate spacings of fixings for battens and Locator Clips to avoid risk of splitting batten



ULLTRACLAD[®]
ALUMINIUM WEATHERBOARDS

ULLTRACLAD ALUMINIUM CO LTD
PO Box 98 843 Manukau City Auckland 2241
118 Wiri Station Road Wiri 2104 New Zealand
TL 09 262 6262 Ext. 814 Mob 021 541 563

www.ulltraclad.co.nz
© ULLRICH ALUMINIUM - All Rights Reserved

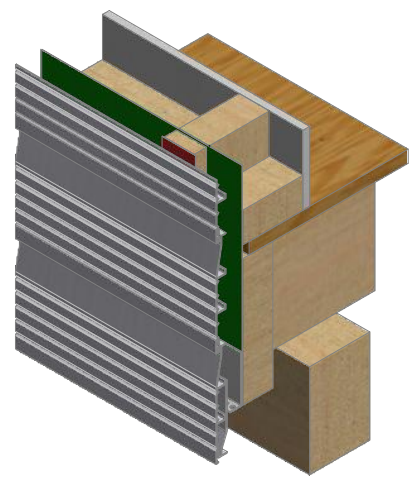
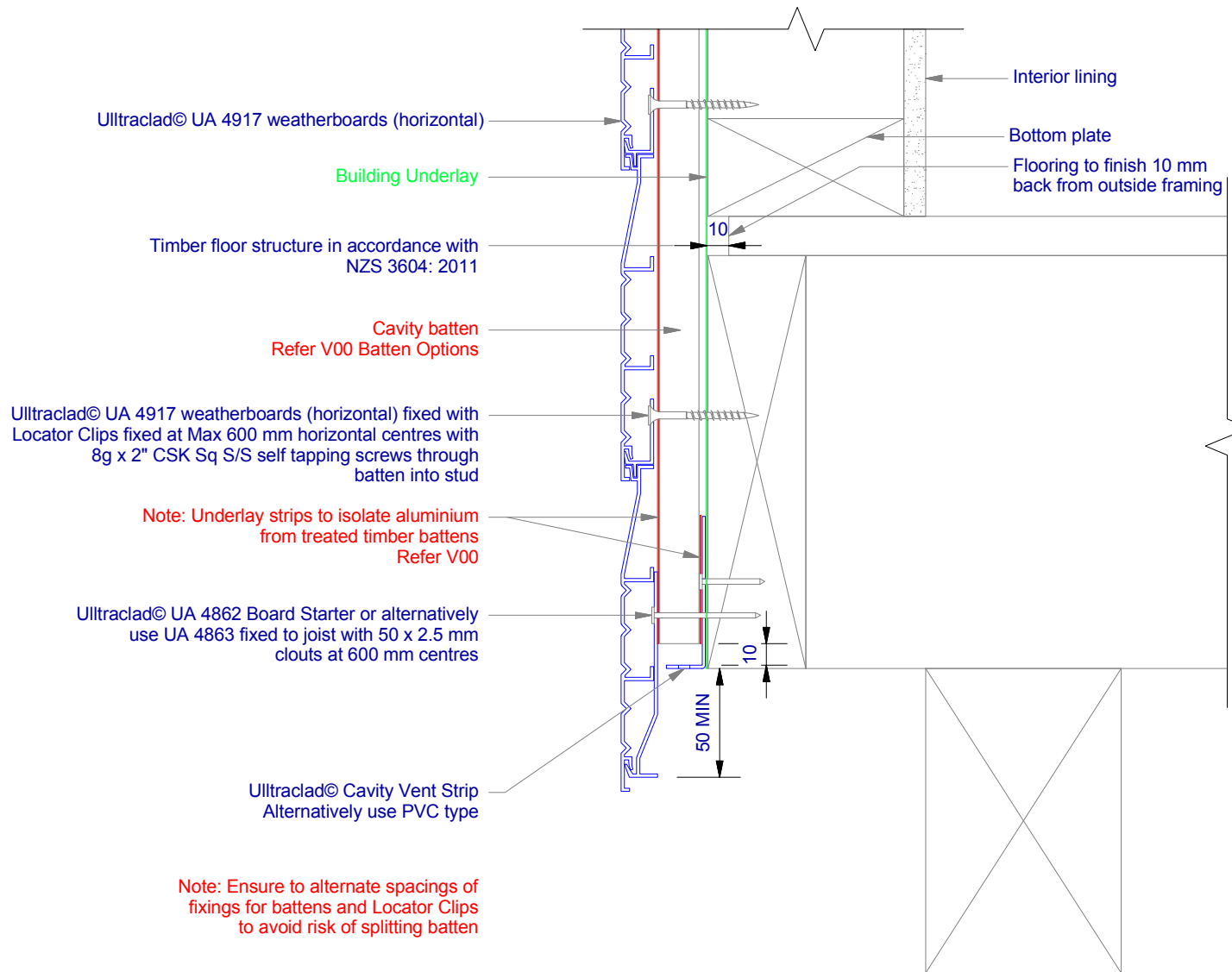
H07

Rev : 10

Soffit Detail on Cavity
UA 4917 TEE BOARD

HORIZONTAL CAVITY SYSTEM
Scale: 1 : 2 @ A4 - 2019

Brnz Appraisal #487 2019. (Horizontal)



ULLTRA CLAD[®]
ALUMINIUM WEATHERBOARDS

ULLTRA CLAD ALUMINIUM CO LTD
PO Box 98 843 Manukau City Auckland 2241
118 Wiri Station Road Wiri 2104 New Zealand
TL 09 262 6262 Ext. 814 Mob 021 541 563
www.ulltraclad.co.nz
© ULLRICH ALUMINIUM - All Rights Reserved

H08
Rev : 10

Timber Floor on Cavity
UA 4917 TEE BOARD
HORIZONTAL CAVITY SYSTEM
Scale: 1 : 3 @ A4 - 2019

Brnz Appraisal #487 2019. (Horizontal)

Building underlay continuous behind head flashing and into opening

Cavity batten
Refer V00 Batten Options

Ulltraclad® UA 4917 weatherboards (horizontal) fixed with Locator Clips fixed at Max 600 mm horizontal centres with 8g x 2" CSK Sq S/S self tapping screws through batten into stud

Flashing tape

Note: Underlay strips to isolate aluminium from treated timber battens
Refer V00

Batten may require machining to allow for the thickness of Flashings & Tapes

Ulltraclad® Cavity Vent Strip
Alternatively use PVC

Fixed to lintel at 600 mm centres with 50 x 2.5 mm stainless steel clout

Vertical track flashing 0.9 mm folded aluminium flashing (hemmed) 150 mm above window head or inter-storey.
Alternatively use Dynex Dynaflash

Ulltraclad® UA 4533 Head Starter 5 mm diameter drainage holes drilled through base of Head Starter at 300 mm centres

Sealant between head flashing and window flange in Very High Wind Zone and above reference figure 71 (c), E2/AS1

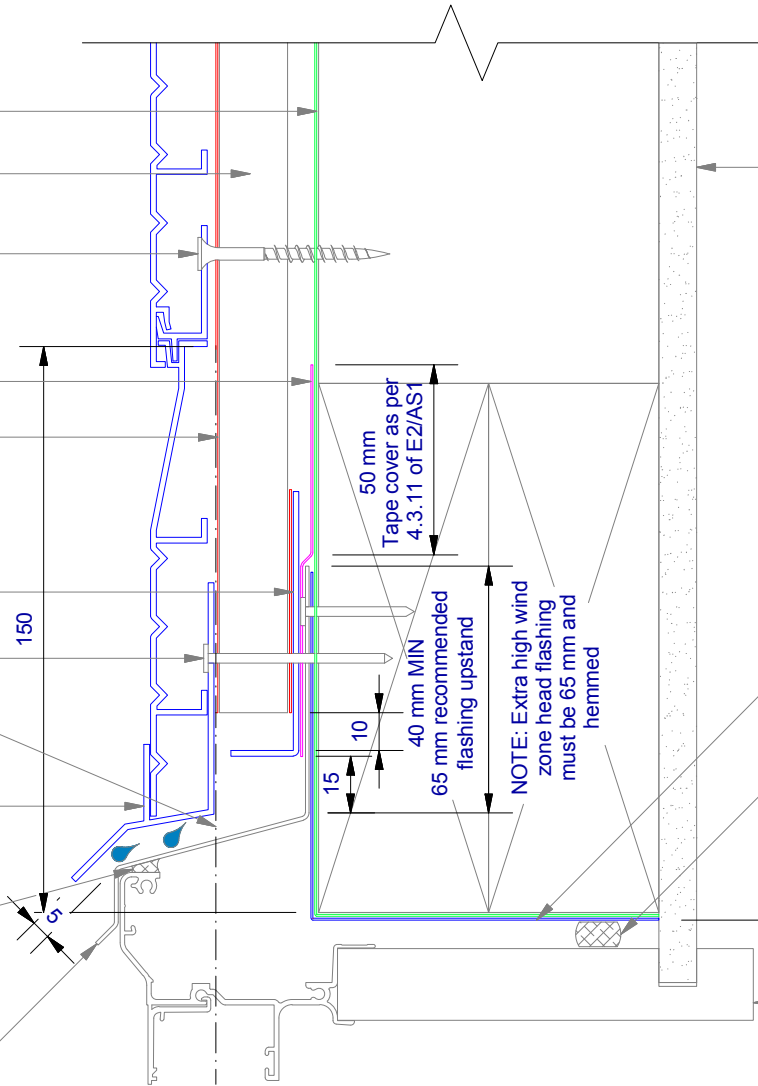
Window head flashing (15° slope) folded stop end. (Note: not supplied with Ulltraclad® system - contractor to supply as additional flashing)

Interior lining

Flexible flashing tape at corners

Air seal to perimeter of trim cavity with expandable foam or sealant as per section 9.1.6 of E2/AS1

Window liner

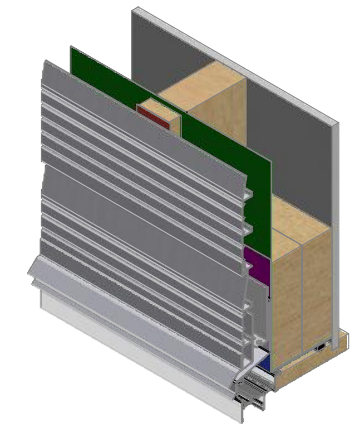


H09

Rev : 10

Window Head on Cavity UA 4917 TEE BOARD

HORIZONTAL CAVITY SYSTEM
Scale: 1 : 2 @ A4 - 2019



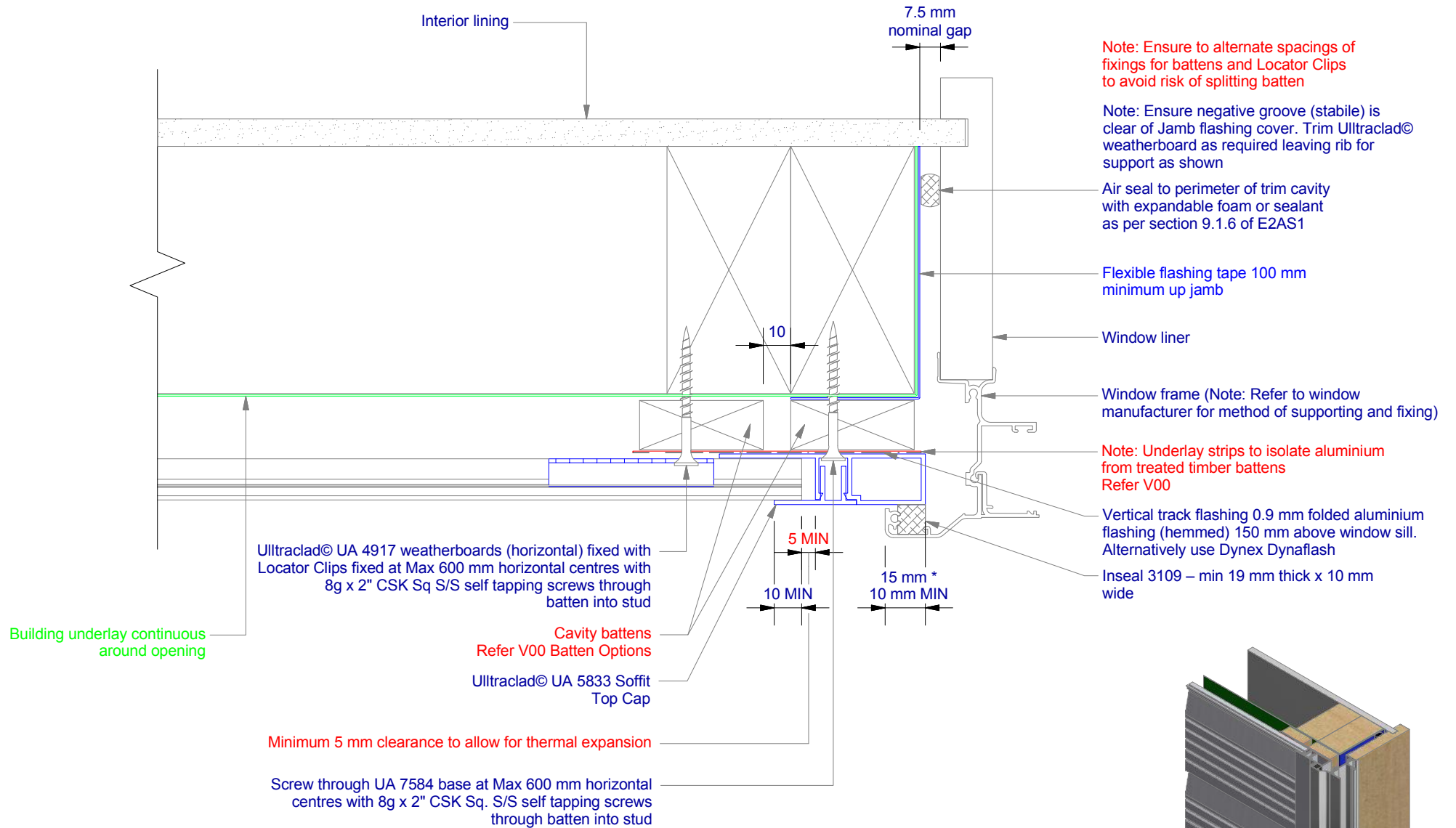
ULLTRACLAD®
ALUMINIUM WEATHERBOARDS

ULLTRACLAD ALUMINIUM CO LTD
PO Box 98 843 Manukau City Auckland 2241
118 Wiri Station Road Wiri 2104 New Zealand
TL 09 262 6262 Ext. 814 Mob 021 541 563

www.ulltraclad.co.nz

© ULLRICH ALUMINIUM - All Rights Reserved

Brnz Appraisal #487 2019. (Horizontal)



Note: Ensure to alternate spacings of fixings for battens and Locator Clips to avoid risk of splitting batten

Note: Ensure negative groove (stable) is clear of Jamb flashing cover. Trim Ulltraclad weatherboard as required leaving rib for support as shown

Air seal to perimeter of trim cavity with expandable foam or sealant as per section 9.1.6 of E2AS1

Flexible flashing tape 100 mm minimum up jamb

Window liner

Window frame (Note: Refer to window manufacturer for method of supporting and fixing)

Note: Underlay strips to isolate aluminium from treated timber battens Refer V00

Vertical track flashing 0.9 mm folded aluminium flashing (hemmed) 150 mm above window sill. Alternatively use Dyneflash

Inseal 3109 – min 19 mm thick x 10 mm wide

Ulltraclad UA 4917 weatherboards (horizontal) fixed with Locator Clips fixed at Max 600 mm horizontal centres with 8g x 2\"/>

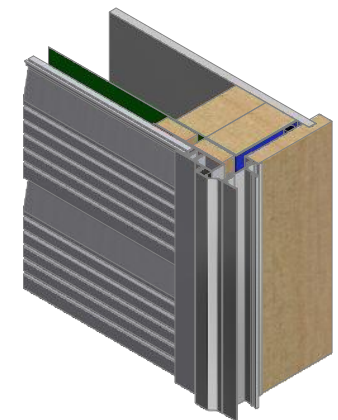
Cavity battens Refer V00 Batten Options

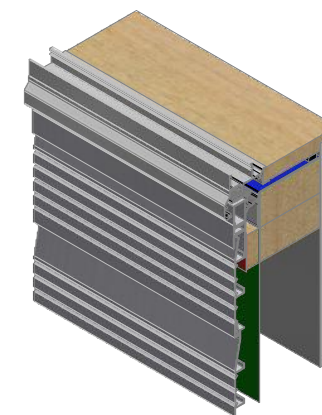
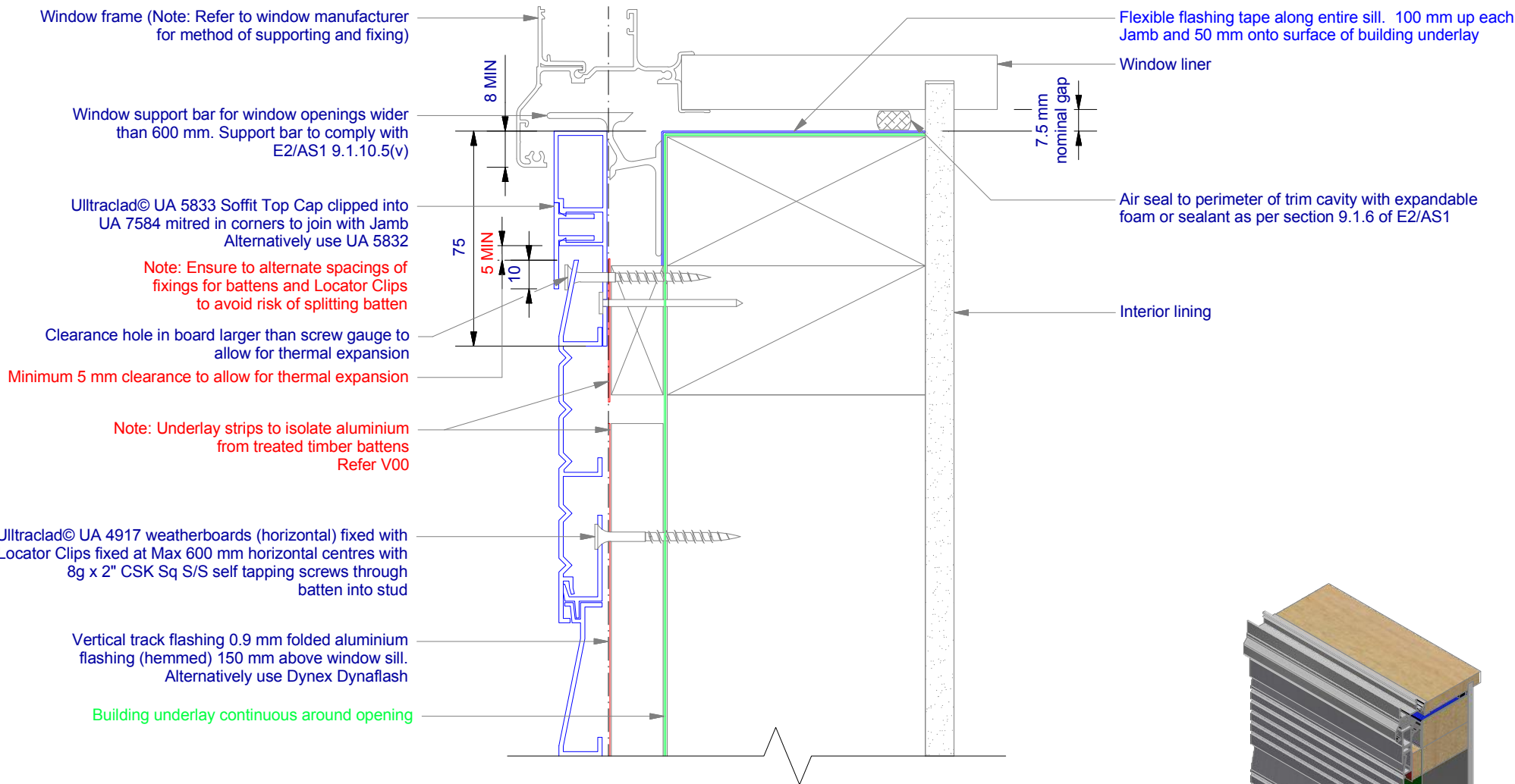
Ulltraclad UA 5833 Soffit Top Cap

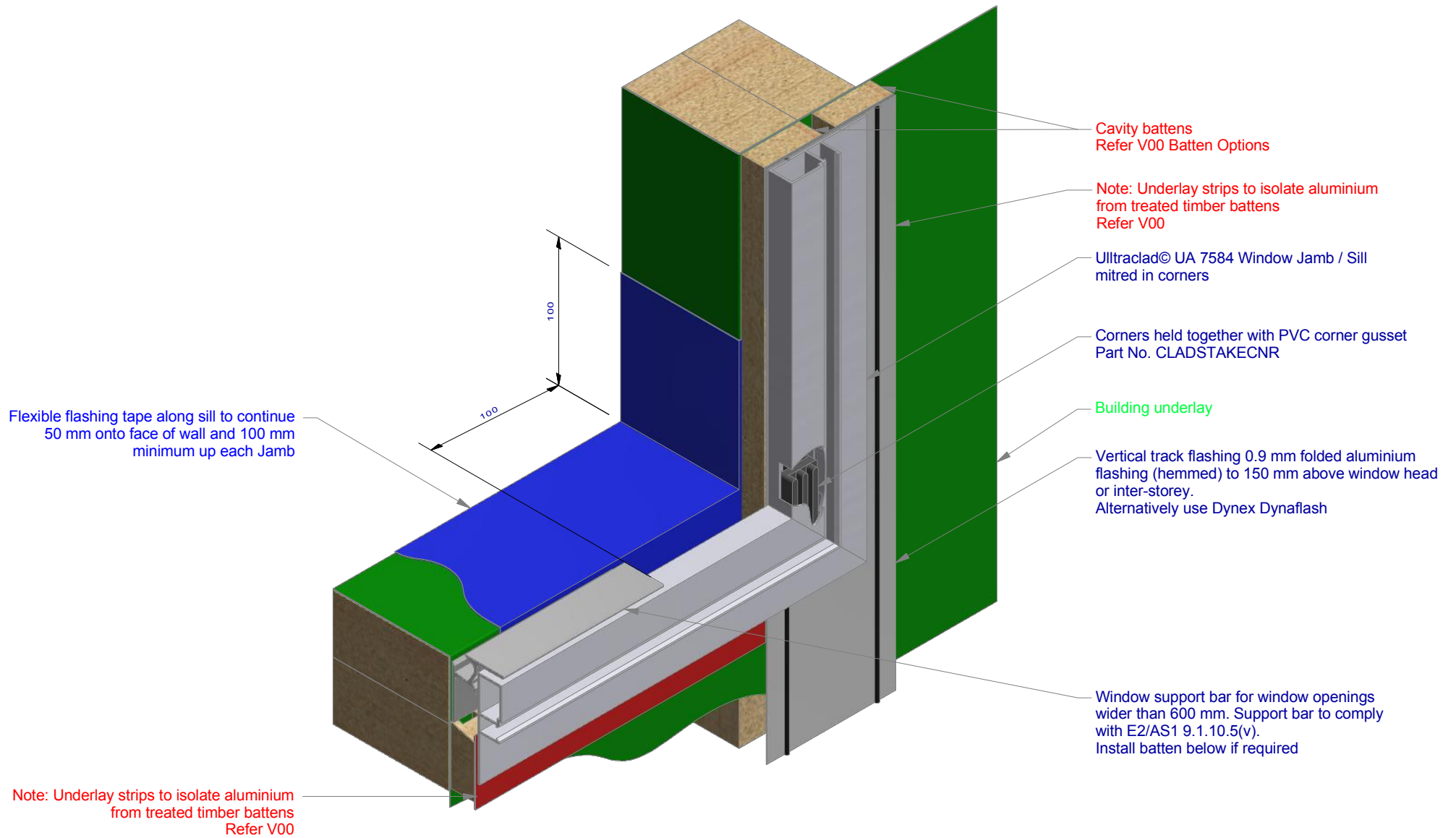
Minimum 5 mm clearance to allow for thermal expansion

Screw through UA 7584 base at Max 600 mm horizontal centres with 8g x 2\"/>

Building underlay continuous around opening

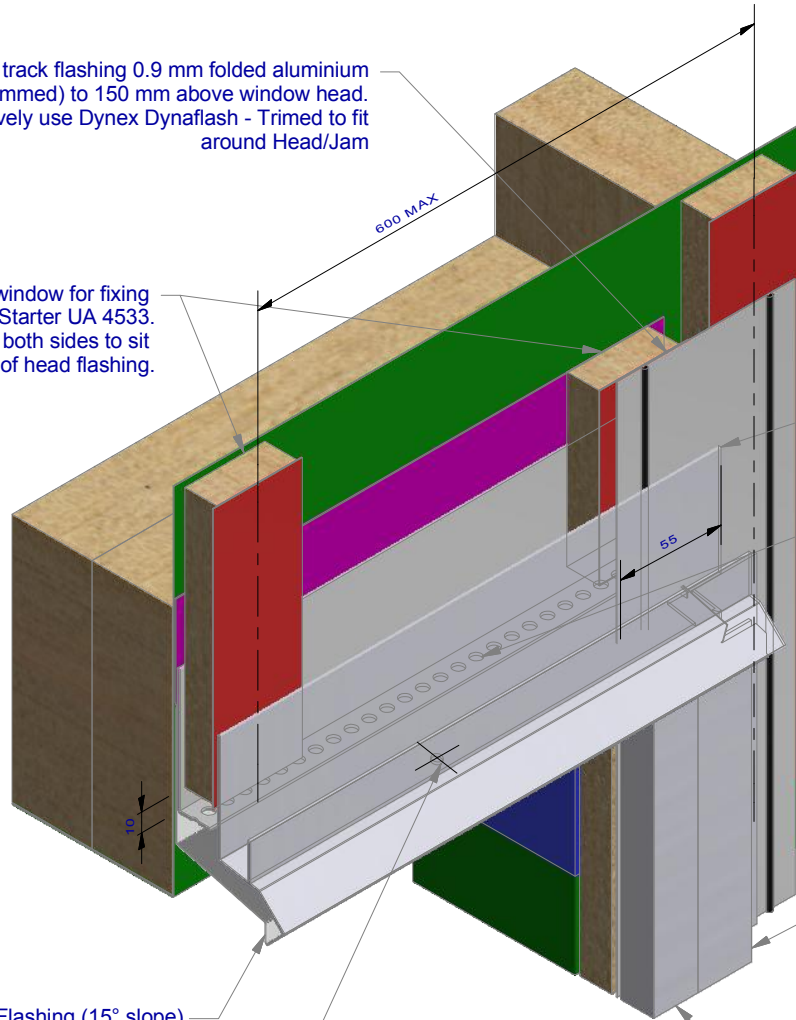






Vertical track flashing 0.9 mm folded aluminium flashing (hemmed) to 150 mm above window head. Alternatively use Dynex Dynafash - Trimmed to fit around Head/Jam

Battens above window for fixing window head Starter UA 4533. Outer batten both sides to sit inside stope of head flashing.



Window Head Flashing (15° slope) folded stop end. (Note: not supplied with Ulltraclad© system - contractor to supply as additional flashing)

Ulltraclad© UA 4533 Head Starter 5 mm diameter drainage holes drilled through base of Head Starter at 300 mm centres

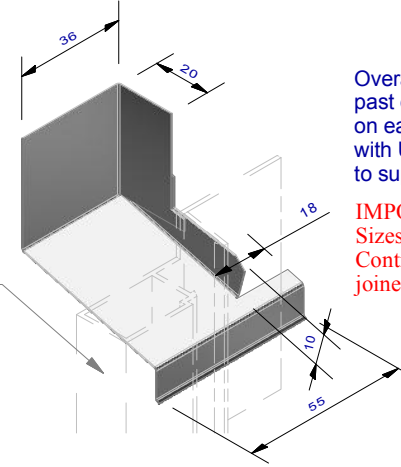
Ulltraclad© UA 4533 Head Starter 15° slope

Ulltraclad© Cavity Vent Strip Alternatively use PVC

Ulltraclad© UA 5833 Soffit Clip Top. To finish flush with window head flashing and starter

Ulltraclad© UA 7584 Jamb Flashing

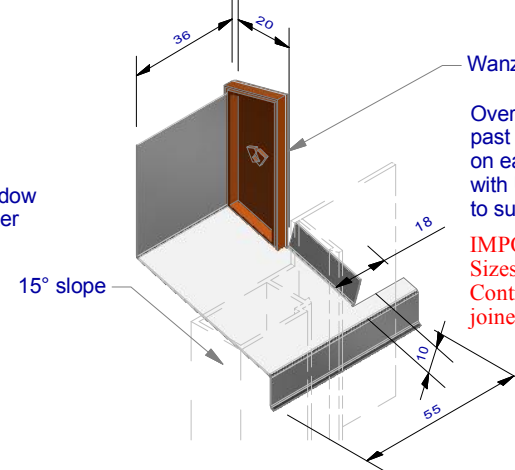
Window Head Flashing Option 1 Cut & Fold Stop End (1 : 2)



Overall Head Flashing length = +40 mm past edge of window and door joinery on each side. (Note: not supplied with Ulltraclad© system - contractor to supply as additional flashing)

IMPORTANT:
Sizes shown are indicative only!
Contractor to confirm onsite as joinery suites may vary.

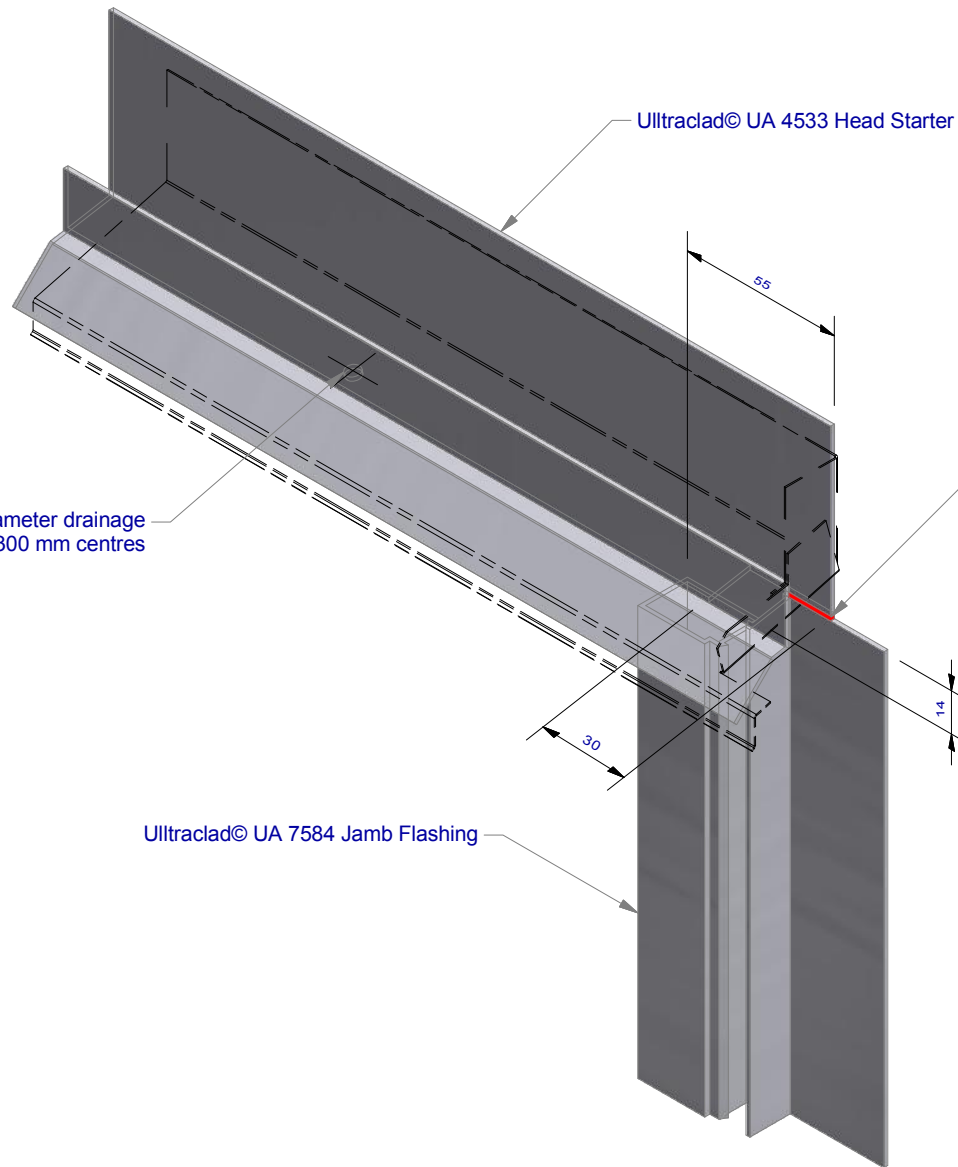
Window Head Flashing Option 2 Wanz Plastic Stop End Cap (1 : 2)



Wanz Plastic Stop End

Overall Head Flashing length = +40 mm past edge of window and door joinery on each side. (Note: not supplied with Ulltraclad© system - contractor to supply as additional flashing)

IMPORTANT:
Sizes shown are indicative only!
Contractor to confirm onsite as joinery suites may vary.



Ulltraclad© UA 4533 Head Starter 5 mm diameter drainage holes drilled through base of Head Starter at 300 mm centres

Ulltraclad© UA 4533 Head Starter

IMPORTANT:
 Sizes shown are indicative only!
 Contractor to confirm onsite as
 joinery suites may vary.

Applying sealant before fitting UA 4533 sealant at facade

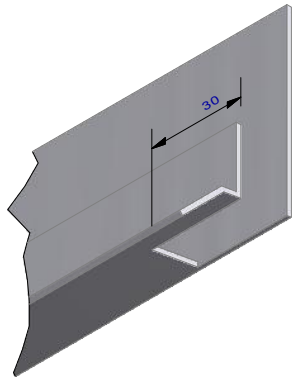
Note: Ulltraclad© UA 4533 Head Starter to extend 40 mm past edge of window or door joinery. Building underlay, flashing tape and UA 5833 omitted for clarity

Ulltraclad© UA 7584 Jamb Flashing

Ultraclad® UA 4533 Head Starter 5 mm diameter drainage holes drilled through base of Head Starter at 300 mm centres

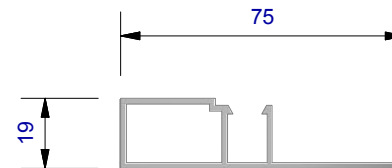
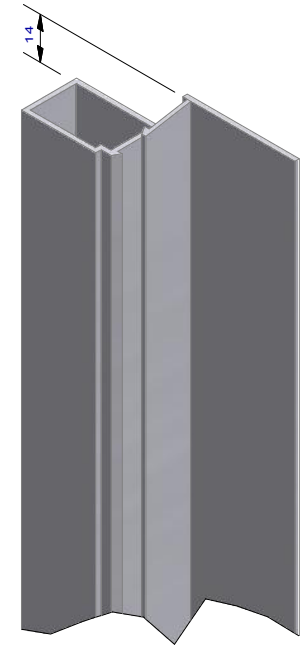


IMPORTANT:
 Sizes shown are indicative only!
 Contractor to confirm onsite as
 joinery suites may vary.



Ultraclad® UA 4533
 Head Starter

Ultraclad® UA 7584
 Jamb Flashing



ULLTRACLAD®
 ALUMINIUM WEATHERBOARDS

ULLTRACLAD ALUMINIUM CO LTD
 PO Box 98 843 Manukau City Auckland 2241
 118 Wiri Station Road Wiri 2104 New Zealand
 TL 09 262 6262 Ext. 814 Mob 021 541 563
 www.ulltraclad.co.nz
 © ULLRICH ALUMINIUM - All Rights Reserved

H15

Rev : 10

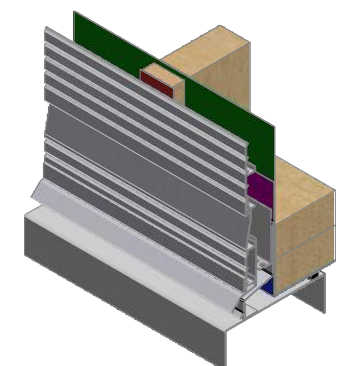
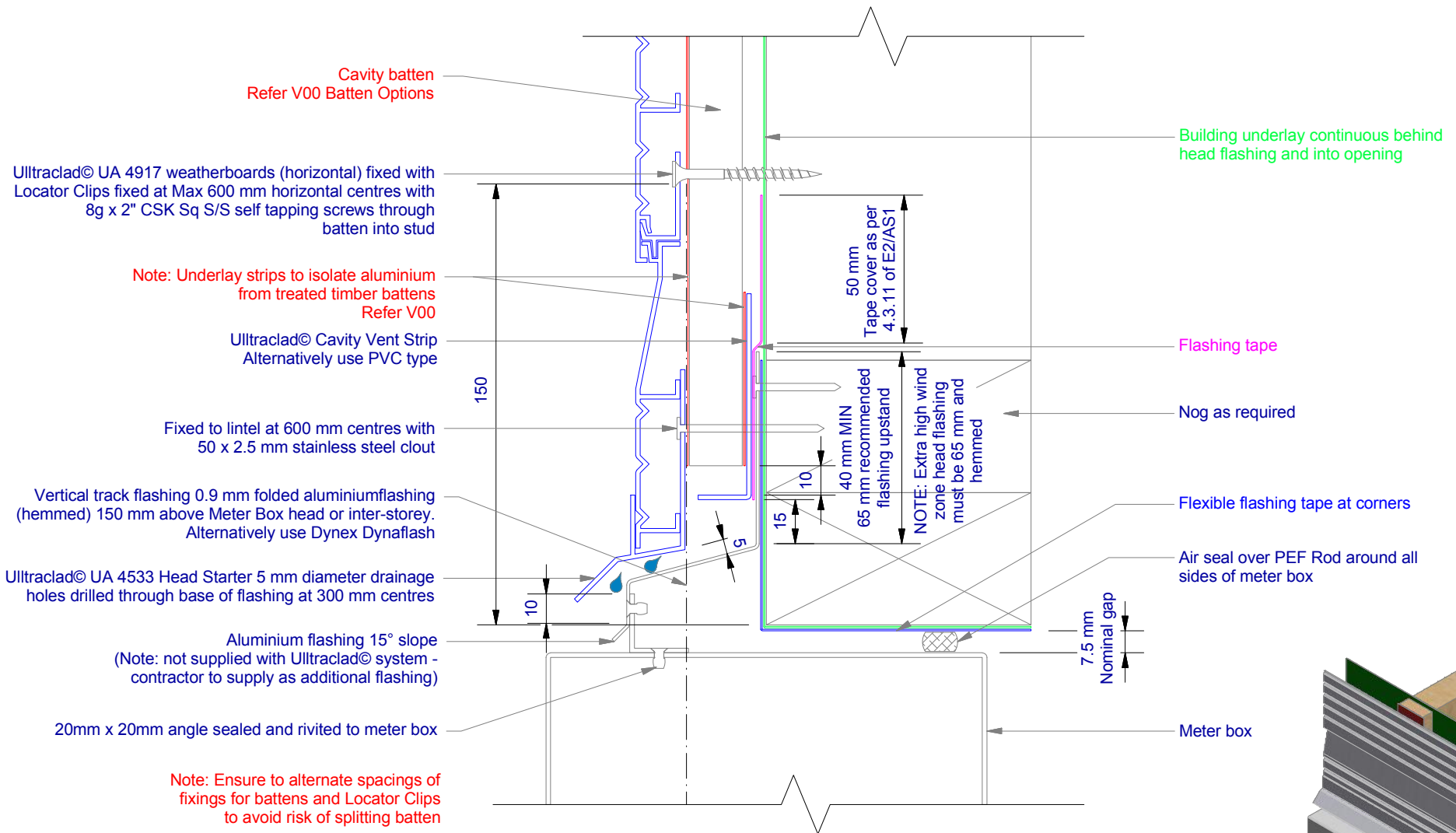
Head - Jamb Notching Details

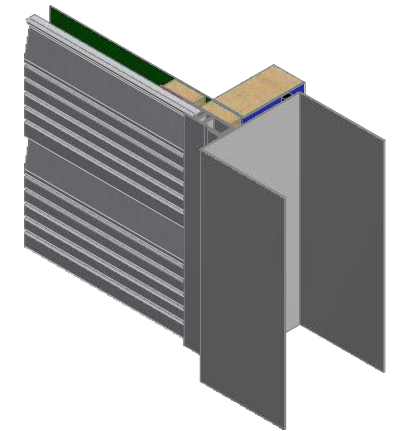
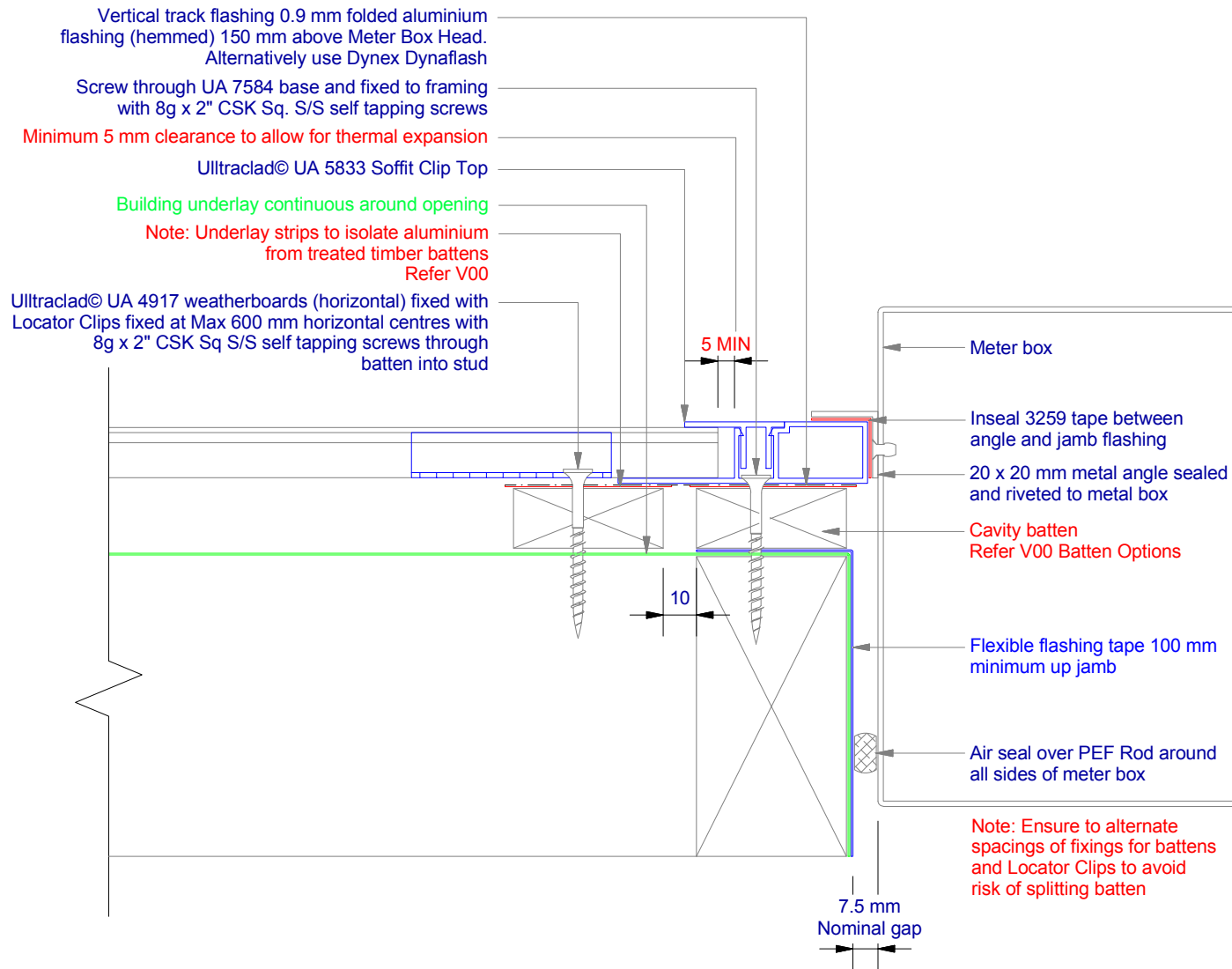
UA 4917 TEE BOARD

HORIZONTAL CAVITY SYSTEM

Scale: 1 : 2 @ A4 - 2019

Brnz Appraisal #487 2019. (Horizontal)





ULLTRACLAD[®]
ALUMINIUM WEATHERBOARDS

ULLTRACLAD ALUMINIUM CO LTD
PO Box 98 843 Manukau City Auckland 2241
118 Wiri Station Road Wiri 2104 New Zealand
TL 09 262 6262 Ext. 814 Mob 021 541 563

www.ulltraclad.co.nz

© ULLRICH ALUMINIUM - All Rights Reserved

H17

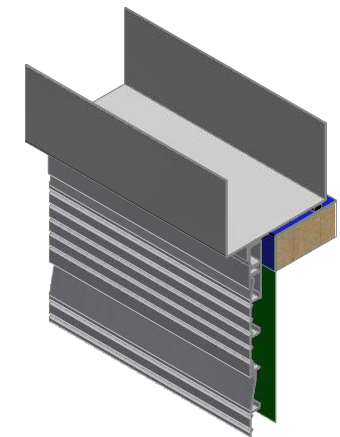
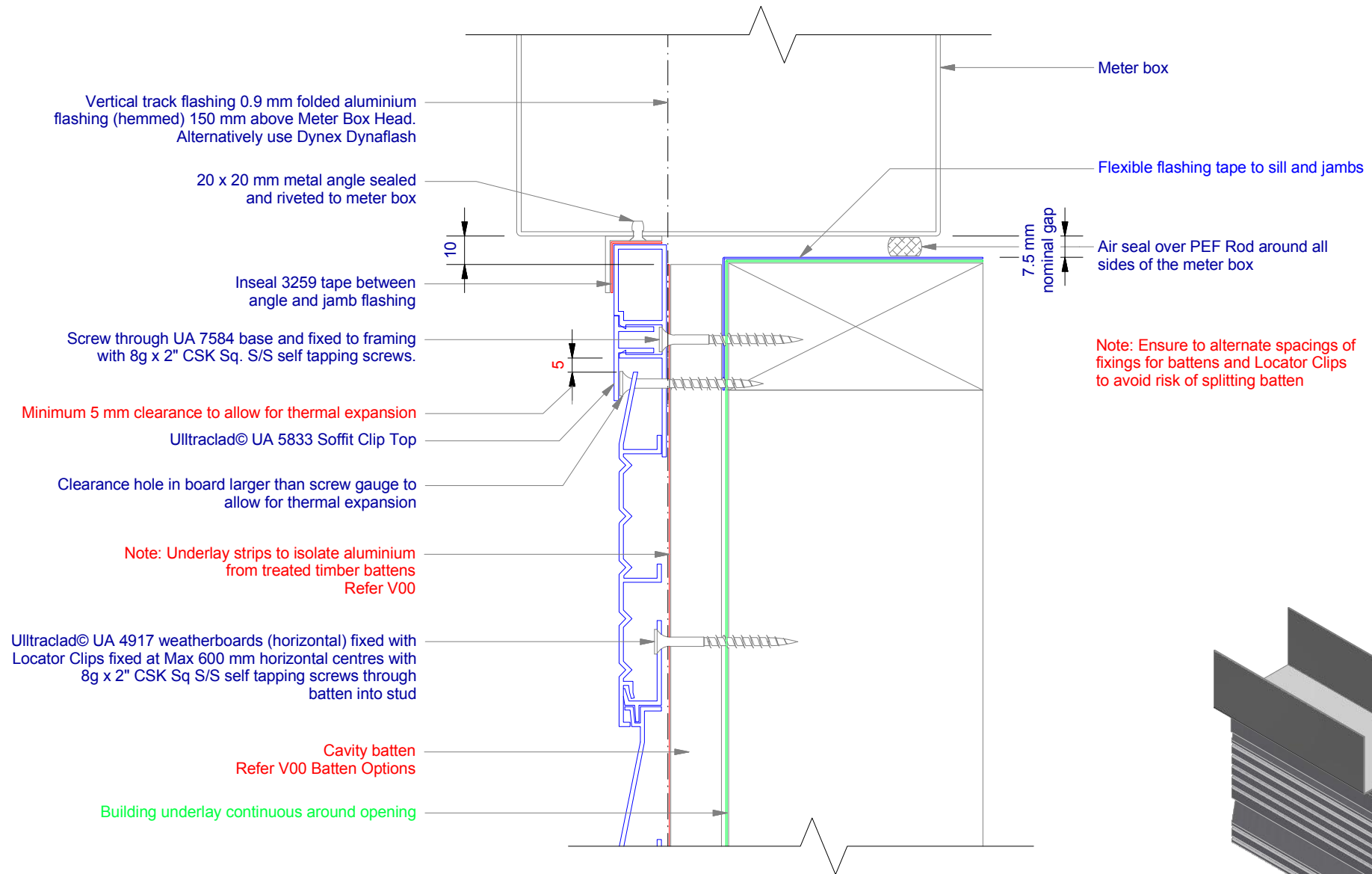
Rev : 10

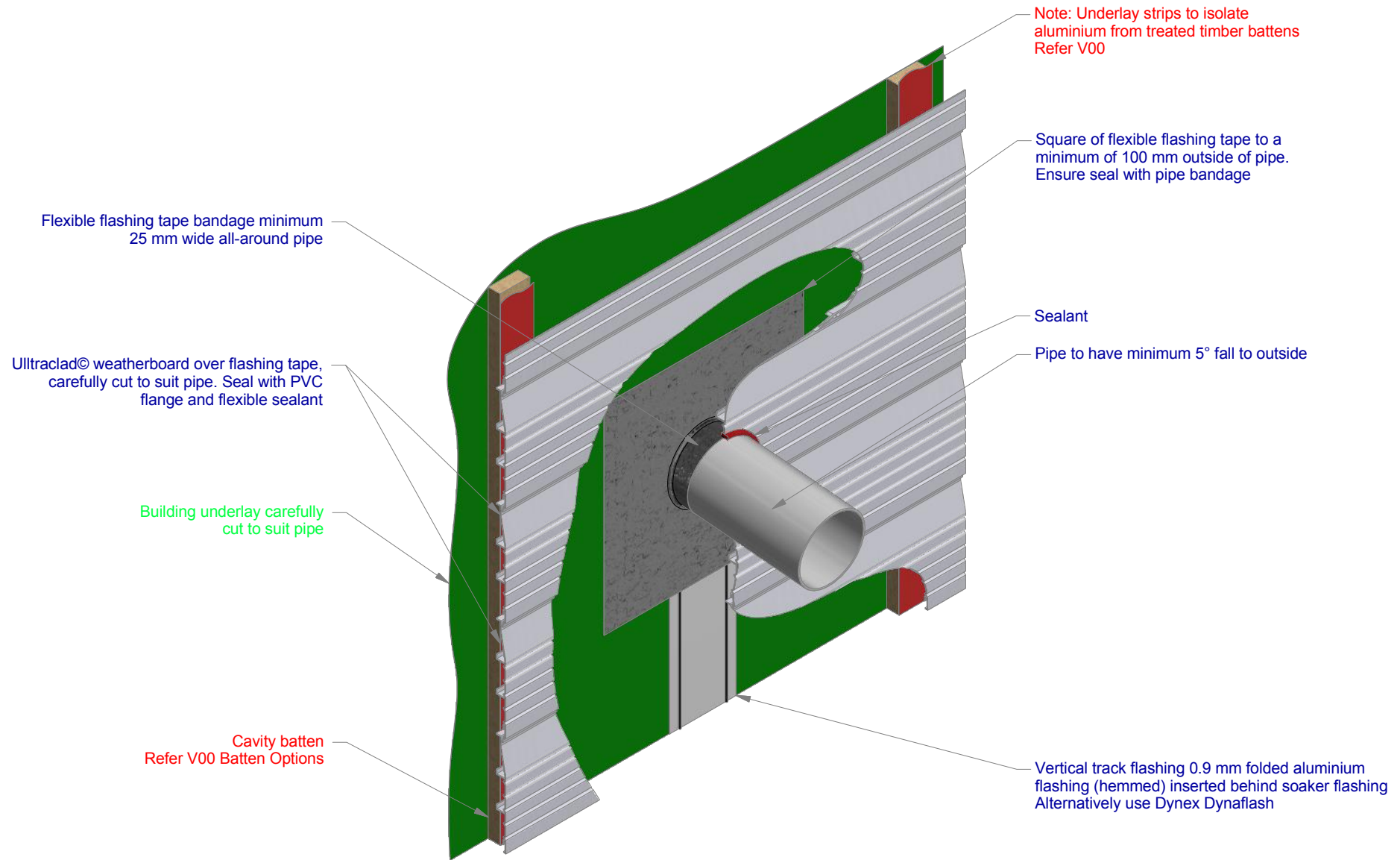
Meter Box Jamb on Cavity
UA 4917 TEE BOARD

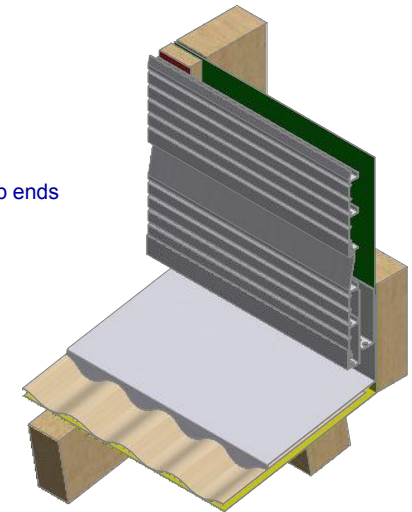
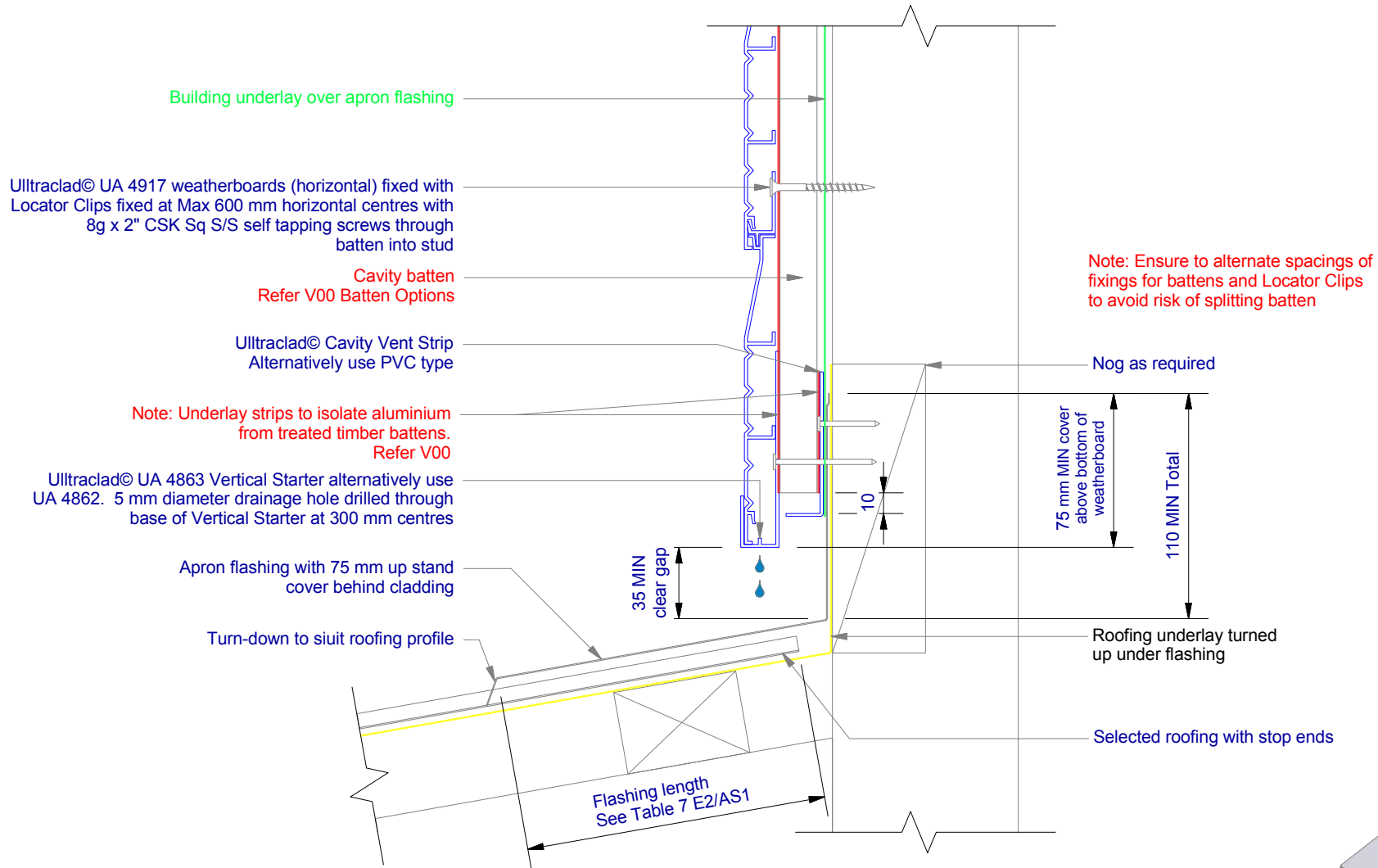
HORIZONTAL CAVITY SYSTEM

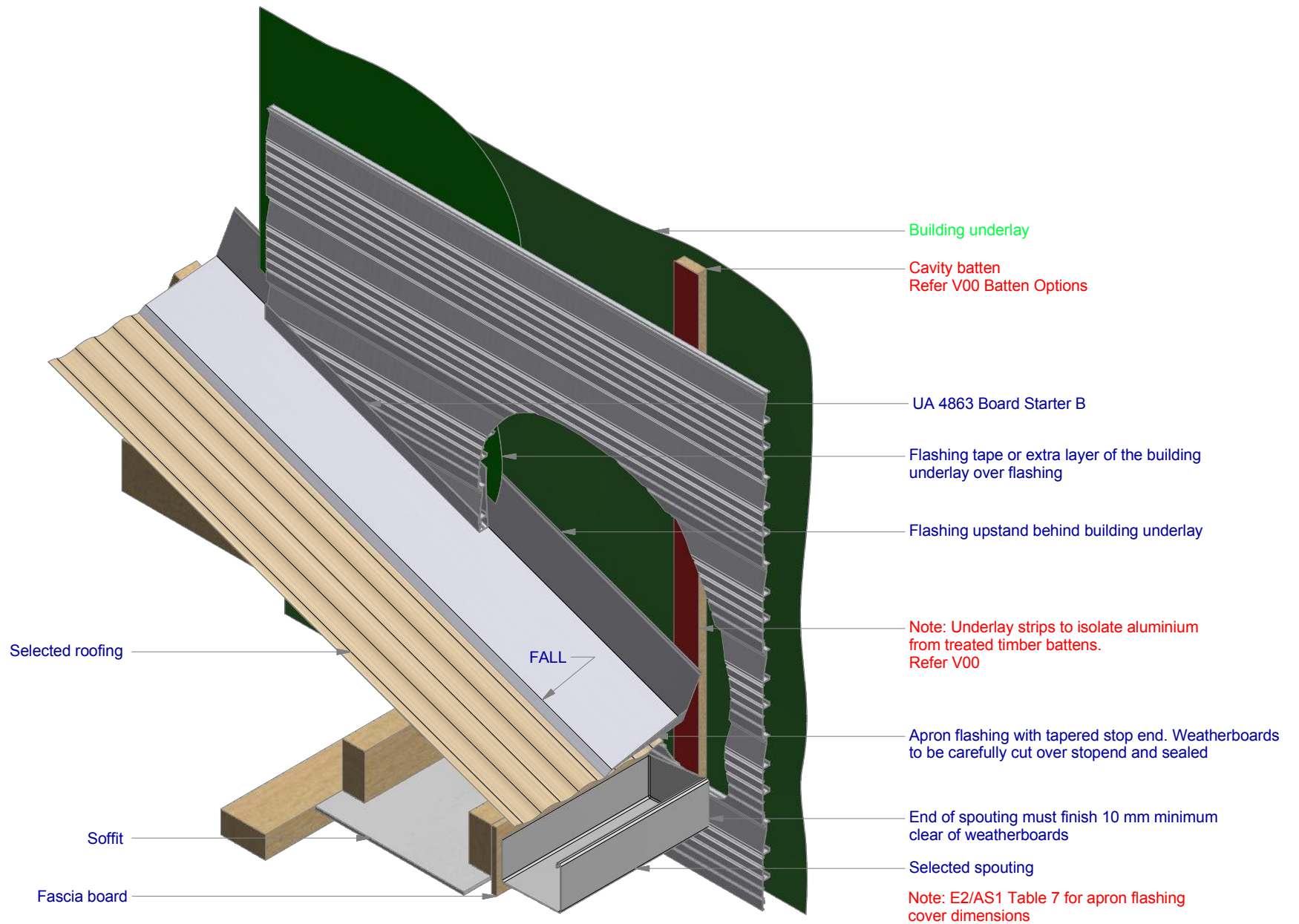
Scale: 1 : 2 @ A4 - 2019

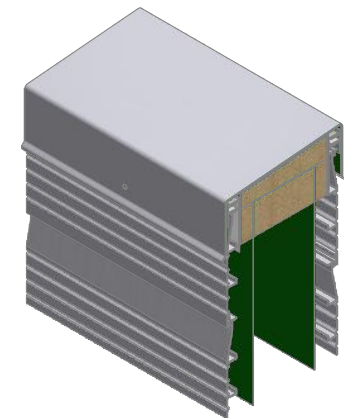
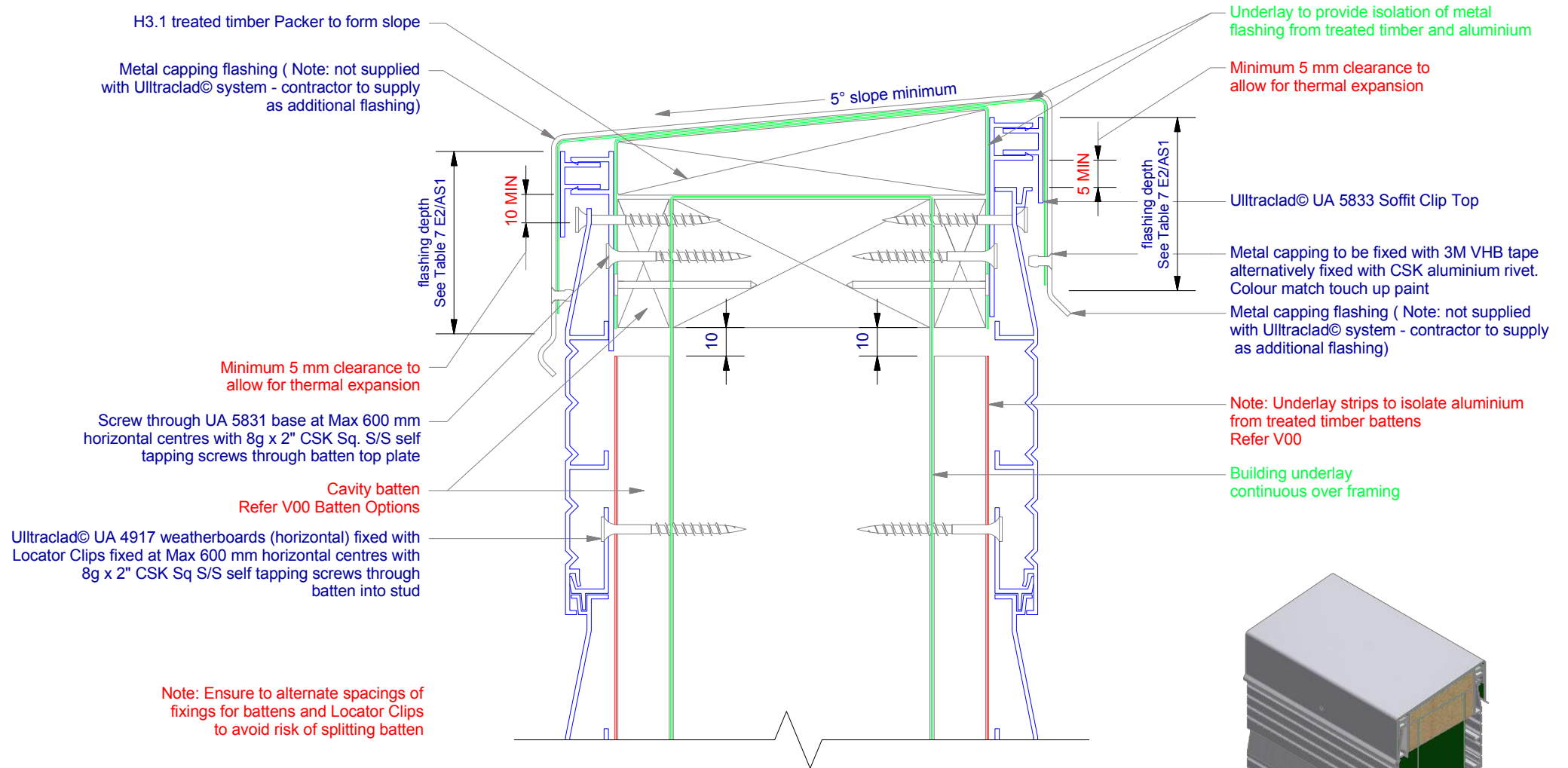
Brnz Appraisal #487 2019. (Horizontal)

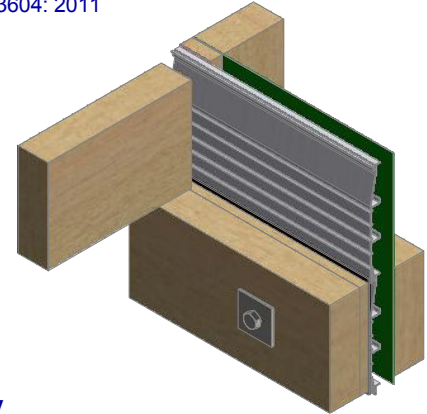
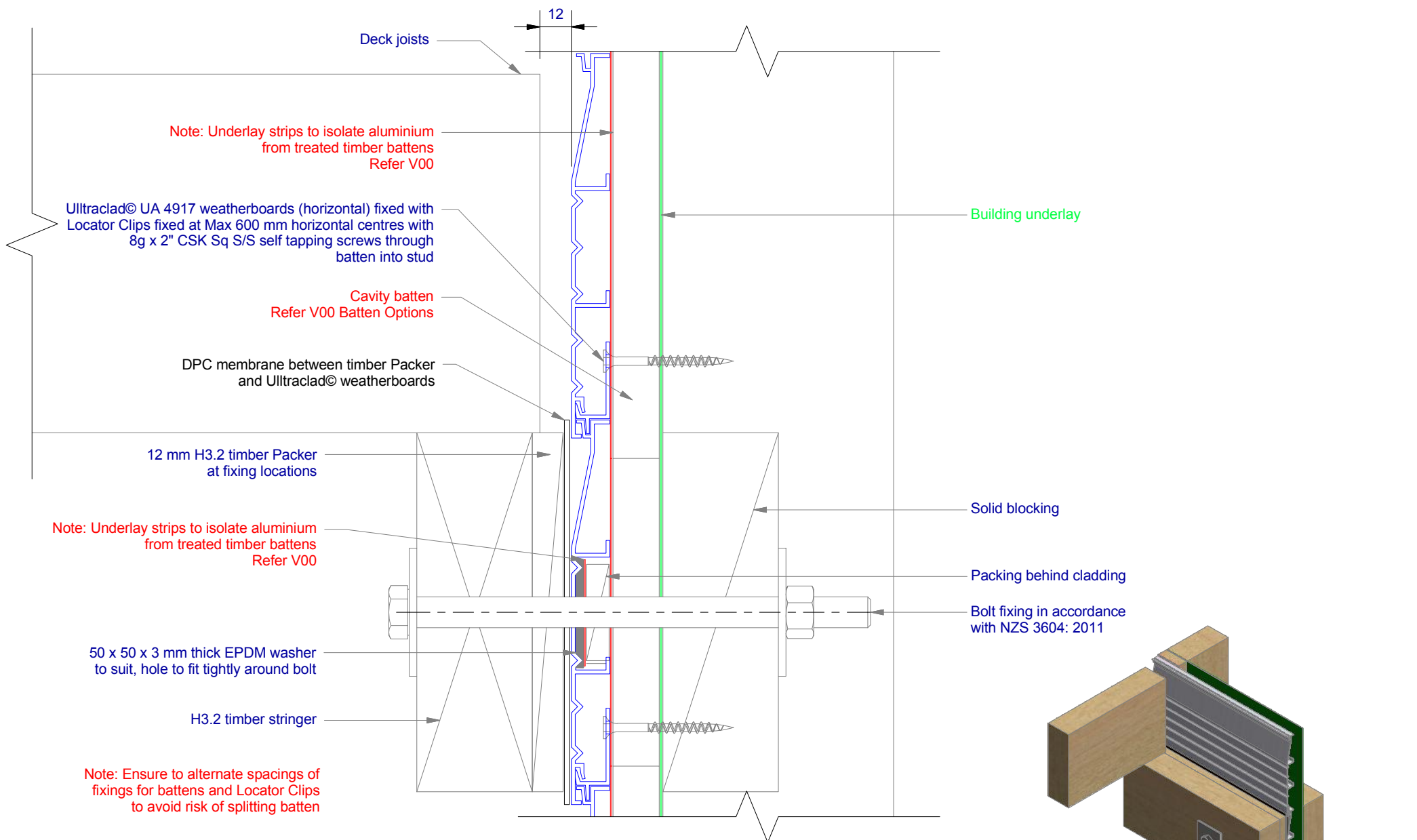












ULLTRACLAD[®]
ALUMINIUM WEATHERBOARDS

ULLTRACLAD ALUMINIUM CO LTD
PO Box 98 843 Manukau City Auckland 2241
118 Wiri Station Road Wiri 2104 New Zealand
TL 09 262 6262 Ext. 814 Mob 021 541 563
www.ulltraclad.co.nz
© ULLRICH ALUMINIUM - All Rights Reserved

H23
Rev : 10

Deck Junction on Cavity
UA 4917 TEE BOARD
HORIZONTAL CAVITY SYSTEM
Scale: 1 : 2 @ A4 - 2019

Branz Appraisal #487 2019. (Horizontal)

Note: Ensure to alternate spacings of fixings for battens and Locator Clips to avoid risk of splitting batten

Building underlay

Ultraclad® UA 4917 weatherboards (horizontal) fixed with Locator Clips fixed at Max 600 mm horizontal centres with 8g x 2" CSK Sq S/S self tapping screws through batten into stud

Note: Underlay strips to isolate aluminium from treated timber battens Refer V00

Flashing tape

Ultraclad® UA 4862 Board Starter or alternatively use UA 4863 fixed to bottom plate with 50 x 2.5 mm clouts at 600 mm centres

Ultraclad® UA 7919 Inter-Storey Flashing

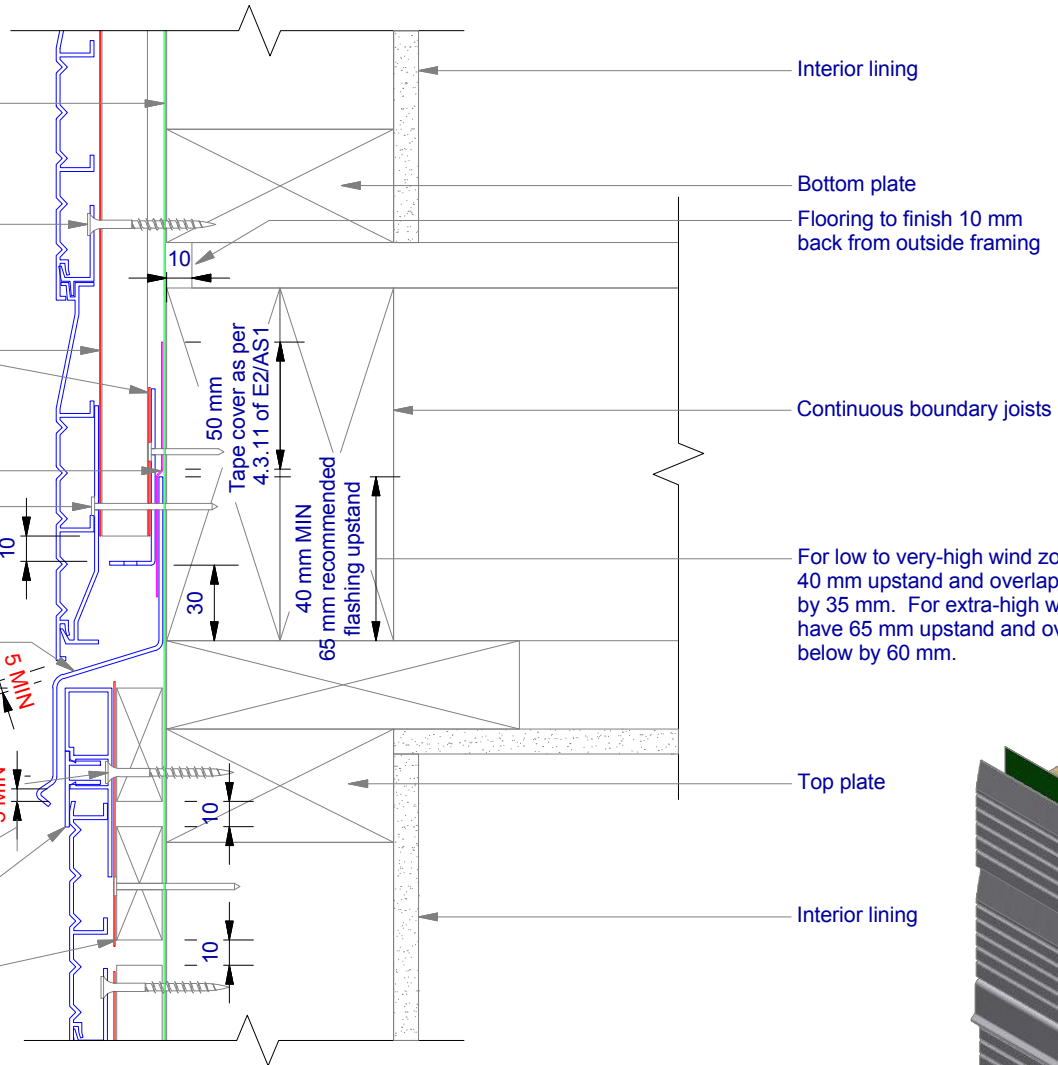
Screw through UA 7584 base at Max 600 mm horizontal centres with 8g x 2" CSK Sq. S/S self tapping screws through batten into frame

Minimum 5 mm clearance to allow for thermal expansion

Ultraclad® UA 5833 Soffit Clip Top

Cavity batten Refer V00 Batten Options

Note: this detail is required to limit cavities to 2 storeys or 7 m Max - Refer E2/AS1 clause 9.1.9.4



Interior lining

Bottom plate

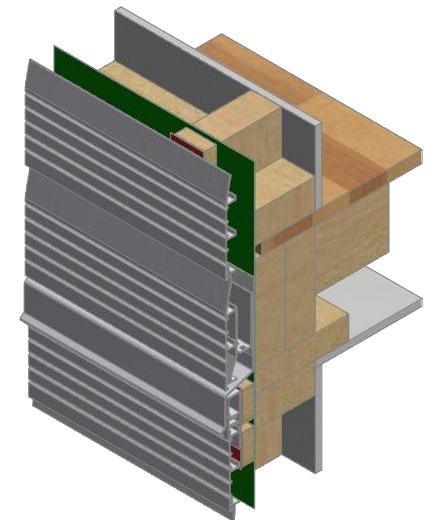
Flooring to finish 10 mm back from outside framing

Continuous boundary joists

For low to very-high wind zones the 'Z' flashing must have a 40 mm upstand and overlap the weatherboard face below by 35 mm. For extra-high wind zones the 'Z' flashing must have 65 mm upstand and overlap the weatherboard face below by 60 mm.

Top plate

Interior lining



ULLTRACLAD[®]
ALUMINIUM WEATHERBOARDS

ULLTRACLAD ALUMINIUM CO LTD
PO Box 98 843 Manukau City Auckland 2241
118 Wiri Station Road Wiri 2104 New Zealand
TL 09 262 6262 Ext. 814 Mob 021 541 563

www.ulltracalad.co.nz

© ULLRICH ALUMINIUM - All Rights Reserved

H24

Rev : 10

Inter-Storey Junction on Cavity
UA 4917 TEE BOARD

HORIZONTAL CAVITY SYSTEM

Scale: 1 : 3 @ A4 - 2019

Brnz Appraisal #487 2019. (Horizontal)

