



UA6975 SHADOLINE BOARD HORIZONTAL CAVITY SYSTEM

REV: 10 2019

- | | |
|----------------------------------|---|
| H00 : Wall Batten Elevation | H13 : Head flashing / Head Starter / Jamb iso |
| H01 : External Corner on Cavity | H14 : Head - Jamb iso |
| H02 : Internal Corner on Cavity | H15 : Head - Jamb Notching Details |
| H03 : Horizontail wall Jointer | H16 : Meter Box Head on Cavity |
| H04 : 90° deg Corner Cap | H17 : Meter Box Jamb on Cavity |
| H05 : Vertical Wall Starter | H18 : Meter Box Sill on Cavity |
| H06 : No Soffit Detail on Cavity | H19 : Pipe Penetration on Cavity |
| H07 : Soffit Detail on Cavity | H20 : Roof-Wall Junction on Cavity |
| H08 : Timber Floor on Cavity | H21 : Gutter Wall Junction on Cavity |
| H09 : Window Head on Cavity | H22 : Parapet on Cavity |
| H10 : Window Jam on Cavity | H23 : Deck Junction on Cavity |
| H11 : Window Sill on Cavity | H24 : Inter-Storey Junction on Cavity |
| H12 : Sill-Jamb on Cavity | H25 : Shadoline Profiles |

ULLTRACLAD[®]
ALUMINIUM WEATHERBOARDS

ULLRICH ALUMINIUM CO LTD
PO Box 98 843 Manukau City Auckland 2241
118 Wiri Station Road Wiri 2104 New Zealand
TL 09 262 6262 Ext. 814 Mob 021 541 563

www.ulltraclad.co.nz

© ULLRICH ALUMINIUM - All Rights Reserved

HOR

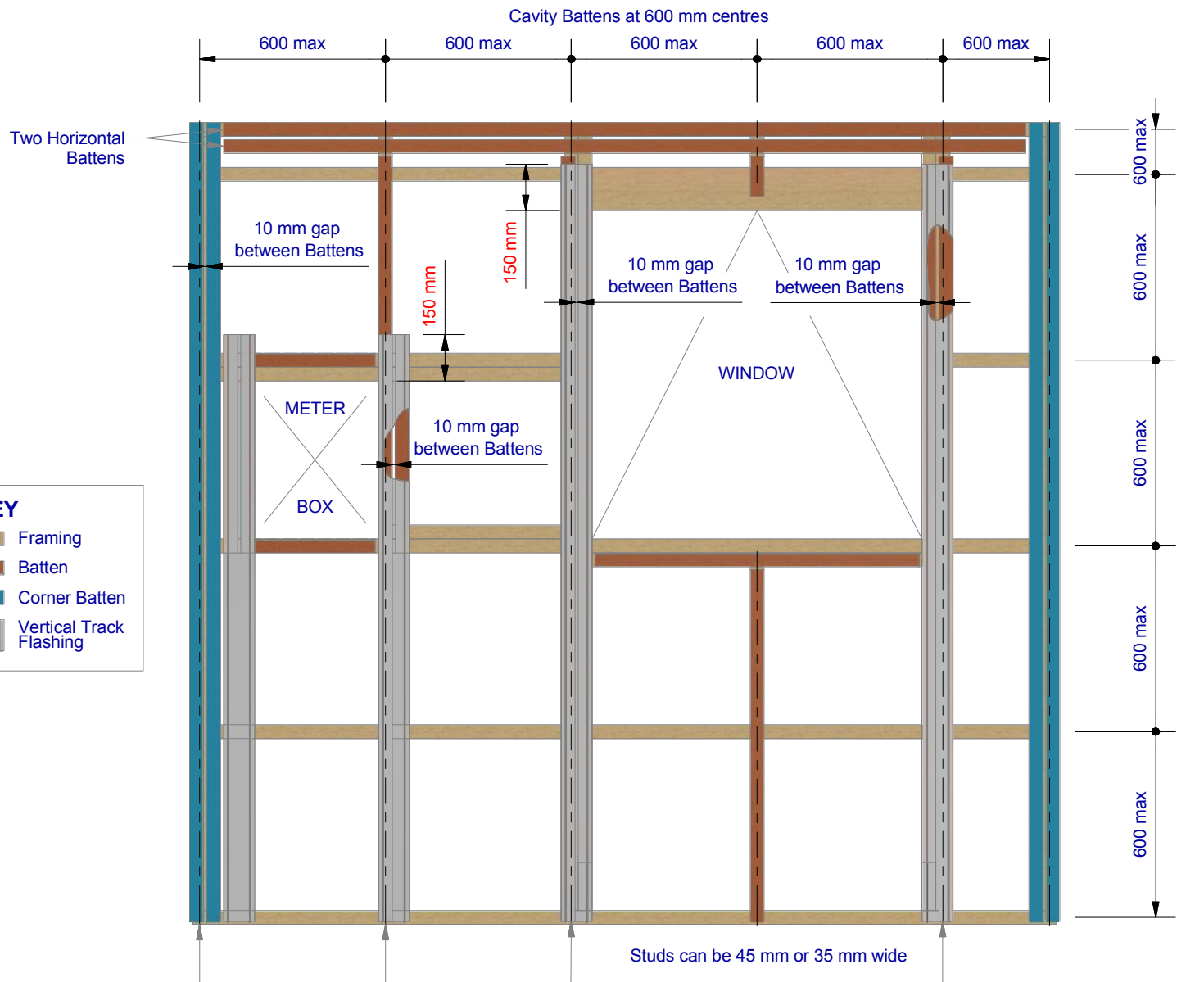
Rev : 10

UA 6975 SHADOLINE BOARD





HORIZONTAL CAVITY SYSTEM

Scale: 1 : 1 @ A4 - 2019

Branz Appraisal #487 2019. (Horizontal)



KEY

-  Framing
-  Batten
-  Corner Batten
-  Vertical Track Flashing

Batten options

Impervious barrier (MDPE) or similar tape between cladding and batten.
 To comply with NZBC E2/AS1 - Table 23.
 Note:
 Some machining of battens may be required to avoid "build up".
 i.e. back flashings / tapes

Cavity plastic Batten
 Note:
 packing/shims may be needed to ensure boards are fitted flat without distortion.

* Additional timber may be required at soffit to support UA 5831 Soffit Base.

Note: Important

Underlay strips to isolate aluminium from treated timber battens 50 mm wide medium density polyethylene (MDPE)

To comply with NZBC E2/AS1 - Table 23. Properties of roofing underlays and wall underlays, separates aluminium components and accessories from timber battens treated with copper-based treatments

Cavity closers required as per NZBC E2/AS1 (section 9.1.8)

Vertical Cavity Corner Batten
 50 x 25 mm H3.1 treated Radiata. Cavity battens fixed with 6g x 1.25" CSK Sq S/S pre-drilled screws through batten into stud

0.9 x 90 mm Aluminium Track Flashing.
 Alternatively use Dynex Dynafash.

Locator Clips fixed at Max 600 mm horizontal centres with 8g x 2" CSK Sq S/S self tapping screws through batten into stud

Vertical cavity batten (corners only) fixed with 6g x 1.25" CSK Sq S/S pre-drilled screws through batten into stud

5 MIN

Minimum 5 mm clearance to allow for thermal expansion

Ultraclad® UA 7094 Female Corner Flashing

Ultraclad® UA 7095 Male Corner Flashing fixed to timber battens with 30 x 2.5 mm stainless steel clouts at 600 mm vertical centres

5 MIN

Ultraclad® UA 6975 weatherboard (horizontal)

Note: Underlay strips to isolate aluminium from treated timber battens Refer V00

Cavity batten Refer V00 Batten Options

Locator Clip UA 4535

Building underlay continuous around corner

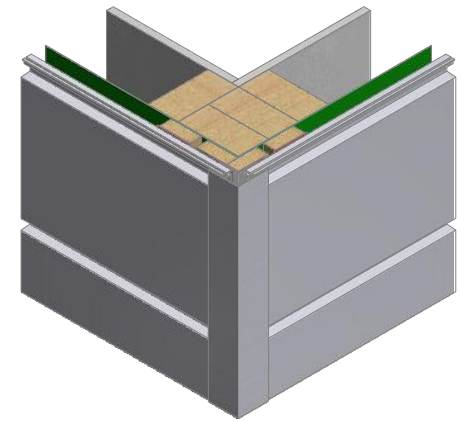
Wall frame

Interior lining

10

10

Note: Ensure to alternate spacings of fixings for battens and Locator Clips to avoid risk of splitting batten



ULLTRACLAD®
ALUMINIUM WEATHERBOARDS

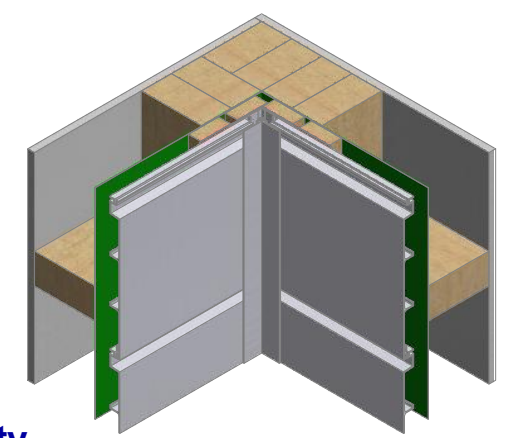
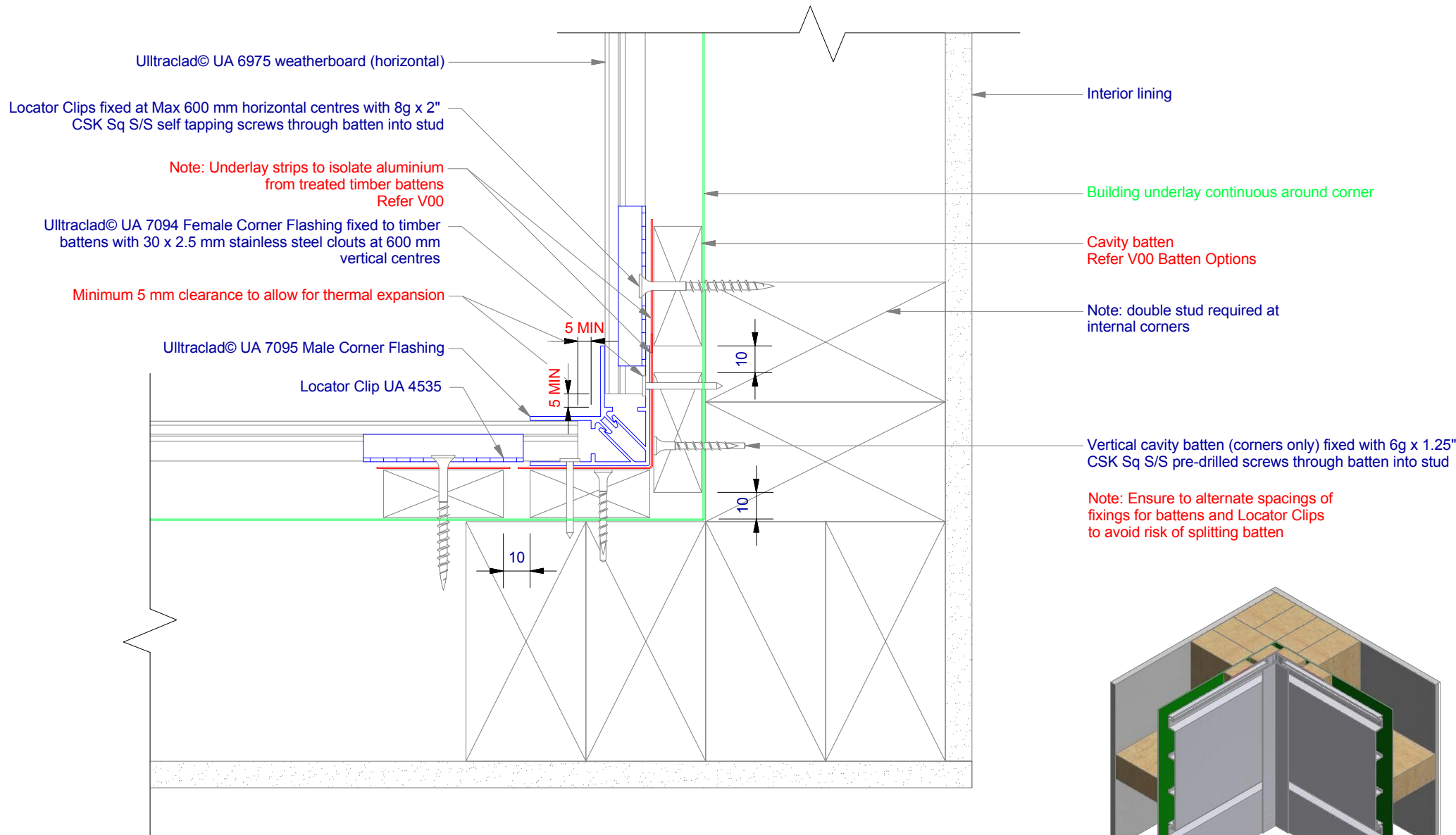
ULLRICH ALUMINIUM CO LTD
PO Box 98 843 Manukau City Auckland 2241
118 Wiri Station Road Wiri 2104 New Zealand
TL 09 262 6262 Ext. 814 Mob 021 541 563
www.ulltraclad.co.nz
© ULLRICH ALUMINIUM - All Rights Reserved

H01
Rev : 10

External Corner on Cavity
UA 6975 SHADOLINE BOARD

HORIZONTAL CAVITY SYSTEM
Scale: 1 : 2 @ A4 - 2019

Brnz Appraisal #487 2019. (Horizontal)



ULLTRACLAD®
ALUMINIUM WEATHERBOARDS

ULLRICH ALUMINIUM CO LTD
PO Box 98 843 Manukau City Auckland 2241
118 Wiri Station Road Wiri 2104 New Zealand
TL 09 262 6262 Ext. 814 Mob 021 541 563
www.ulltraclad.co.nz
© ULLRICH ALUMINIUM - All Rights Reserved

H02

Rev : 10

Internal Corner on Cavity
UA 6975 SHADOLINE BOARD

HORIZONTAL CAVITY SYSTEM
Scale: 1 : 2 @ A4 - 2019

Brnz Appraisal #487 2019. (Horizontal)

Minimum 5 mm clearance to allow for thermal expansion

Ultraclad® UA 6324 Jointer Base
fixed to wall frame with 30 x 2.5 mm
clouts at 600 mm centres

Cavity batten
Refer V00 Batten Options

Note: Underlay strips to isolate aluminium
from treated timber battens
Refer V00

5 MIN 5 MIN

Minimum 5 mm clearance to allow for thermal expansion

Ultraclad® UA 7096 Flat Jointer Top

Ultraclad® UA 6975 weatherboard (horizontal)

Building underlay

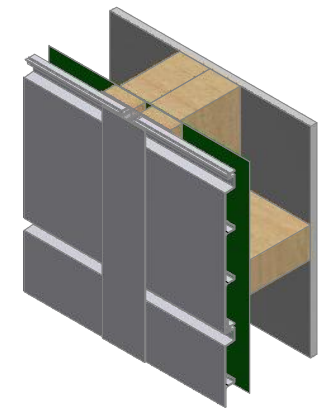
Drained and vented cavity as per NZBC
E2/AS1 (section 9.1.8)

10

Note: Ensure to alternate spacings of
fixings for battens and Locator Clips
to avoid risk of splitting batten

Interior lining

Double studs behind vertical jointer



ULLTRA CLAD®
ALUMINIUM WEATHERBOARDS

ULLRICH ALUMINIUM CO LTD
PO Box 98 843 Manukau City Auckland 2241
118 Wiri Station Road Wiri 2104 New Zealand
TL 09 262 6262 Ext. 814 Mob 021 541 563

www.ulltraclad.co.nz

© ULLRICH ALUMINIUM - All Rights Reserved

H03

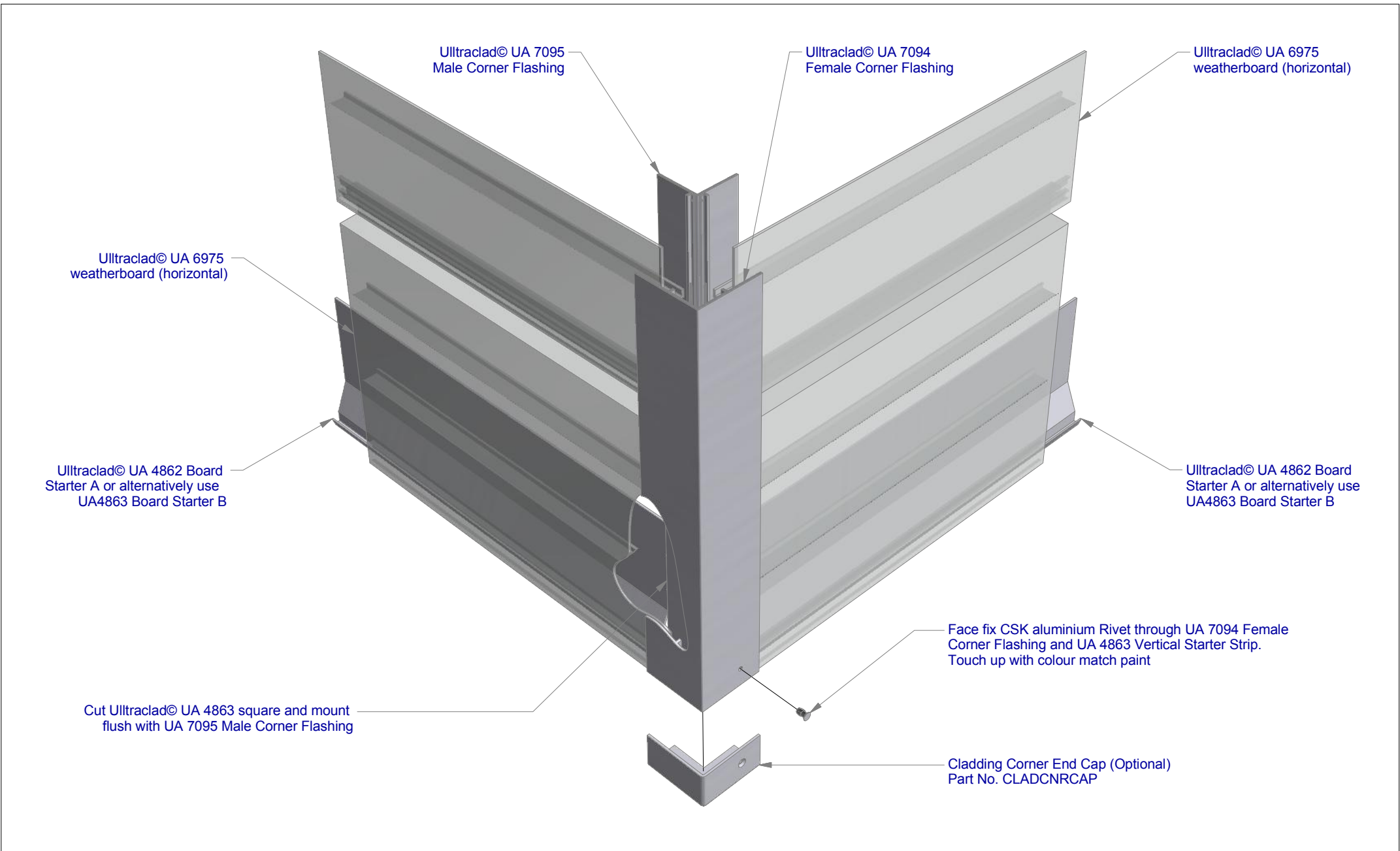
Rev : 10

Horizontal Wall Jointer
UA 6975 SHADOLINE BOARD

HORIZONTAL CAVITY SYSTEM

Scale: 1 : 2 @ A4 - 2019

Brnz Appraisal #487 2019. (Horizontal)



Ultraclad® UA 6975 weatherboards (horizontal) fixed with Locator Clips fixed at Max 600 mm horizontal centres with 8g x 2" CSK Sq S/S self tapping screws through batten into stud

Building underlay

Note: Underlay strips to isolate aluminium from treated timber battens Refer V00

Cavity batten Refer V00 Batten Options

Ultraclad® UA 4862 Board Starter A or alternatively use UA 4863 fixed to bottom plate with 50 x 2.5 mm clouts at 600 mm centres

Ultraclad® Cavity Vent Strip Alternatively use PVC type

Note: 100 mm minimum to permanent paving or 175 mm to unpaved ground to clause 9.1.3 of E2/AS1

Concrete slab or Blockwork

Finished ground level

Interior lining

Bottom plate over DPC

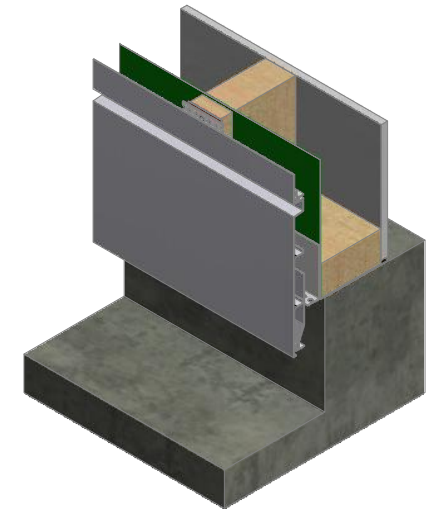
Note: Ensure to alternate spacings of fixings for battens and Locator Clips to avoid risk of splitting batten

10

6 mm overhang (optional)

50

100



ULLTRACLAD[®]
ALUMINIUM WEATHERBOARDS

ULLRICH ALUMINIUM CO LTD
PO Box 98 843 Manukau City Auckland 2241
118 Wiri Station Road Wiri 2104 New Zealand
TL 09 262 6262 Ext. 814 Mob 021 541 563

www.ulltracalad.co.nz

© ULLRICH ALUMINIUM - All Rights Reserved

H05

Rev : 10

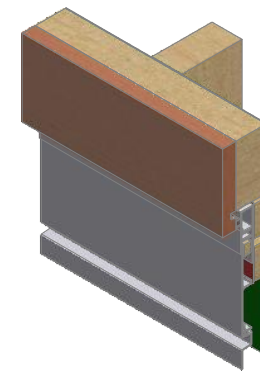
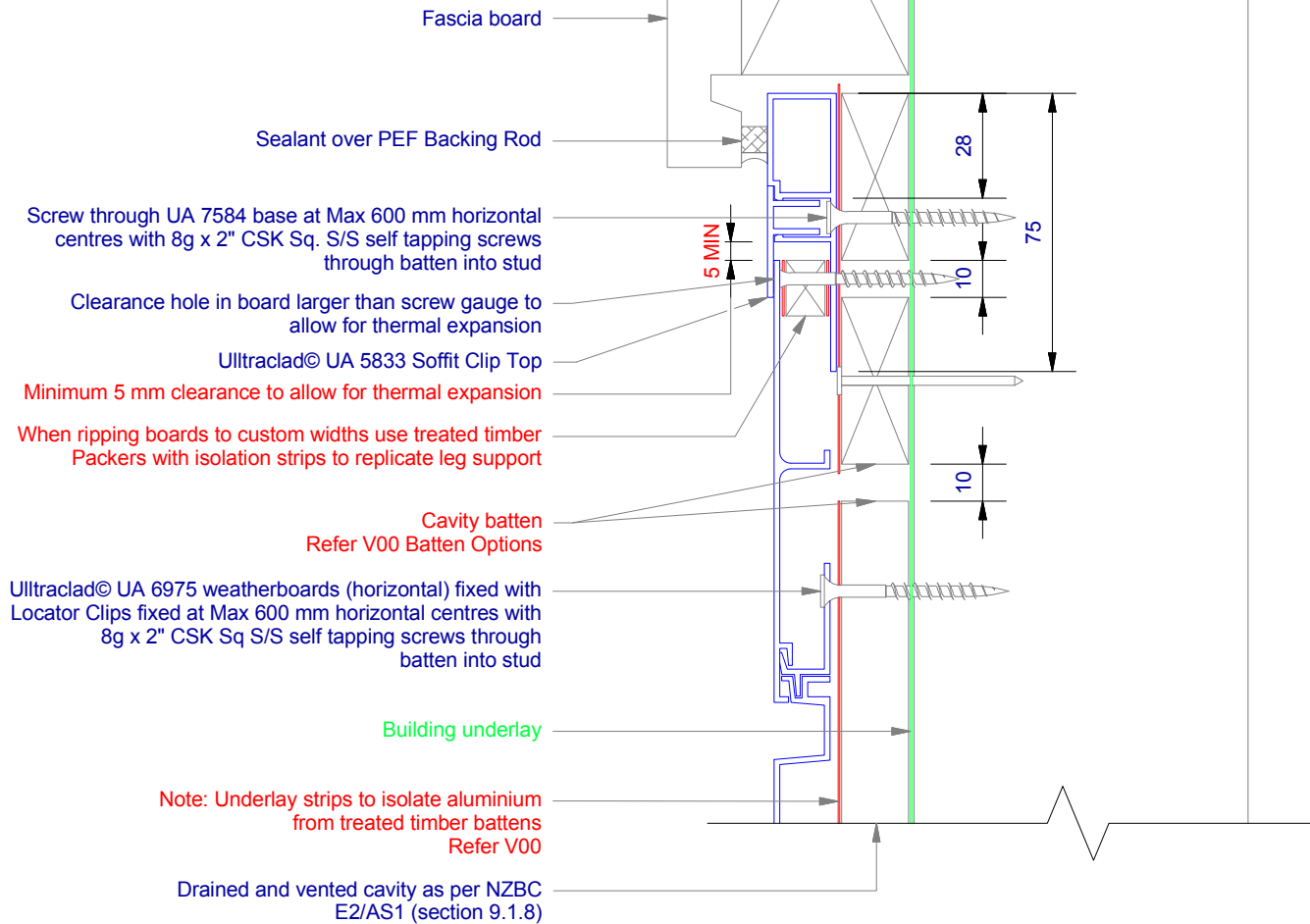
Vertical Wall Starter
UA 6975 SHADOLINE BOARD

HORIZONTAL CAVITY SYSTEM

Scale: 1 : 2 @ A4 - 2019

Brnz Appraisal #487 2019. (Horizontal)

Note: Ensure to alternate spacings of fixings for battens and Locator Clips to avoid risk of splitting batten



ULLTRACLAD[®]
ALUMINIUM WEATHERBOARDS

ULLRICH ALUMINIUM CO LTD
PO Box 98 843 Manukau City Auckland 2241
118 Wiri Station Road Wiri 2104 New Zealand
TL 09 262 6262 Ext. 814 Mob 021 541 563

www.ulltraclad.co.nz

© ULLRICH ALUMINIUM - All Rights Reserved

H06

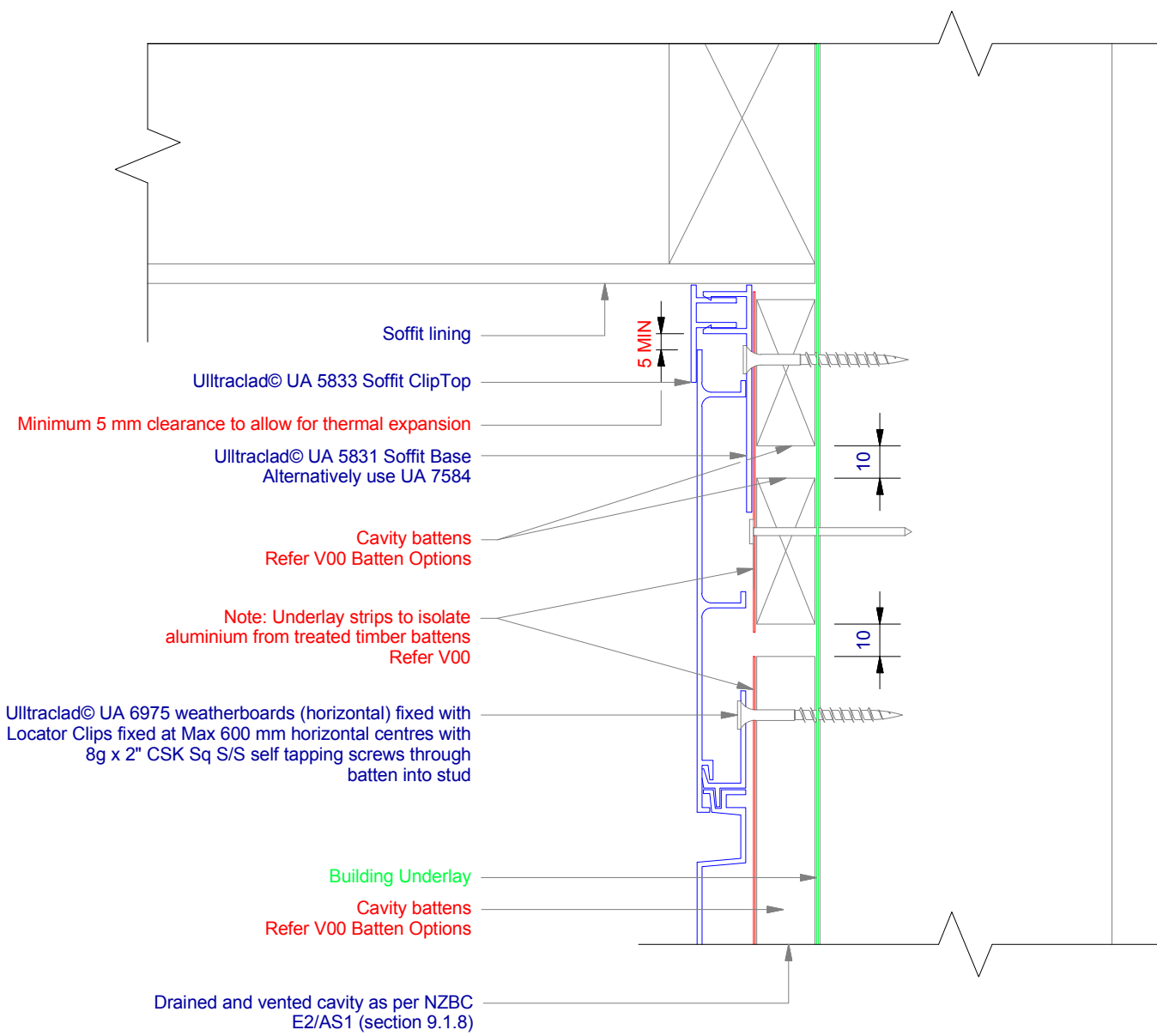
Rev : 10

No Soffit Detail on Cavity
UA 6975 SHADOLINE BOARD

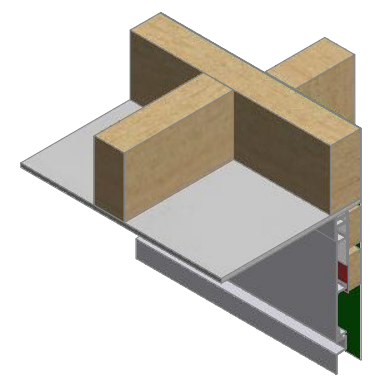
HORIZONTAL CAVITY SYSTEM

Scale: 1 : 2 @ A4 - 2019

Branz Appraisal #487 2019. (Horizontal)



Note: Ensure to alternate spacings of fixings for battens and Locator Clips to avoid risk of splitting batten



ULLTRA CLAD[®]
ALUMINIUM WEATHERBOARDS

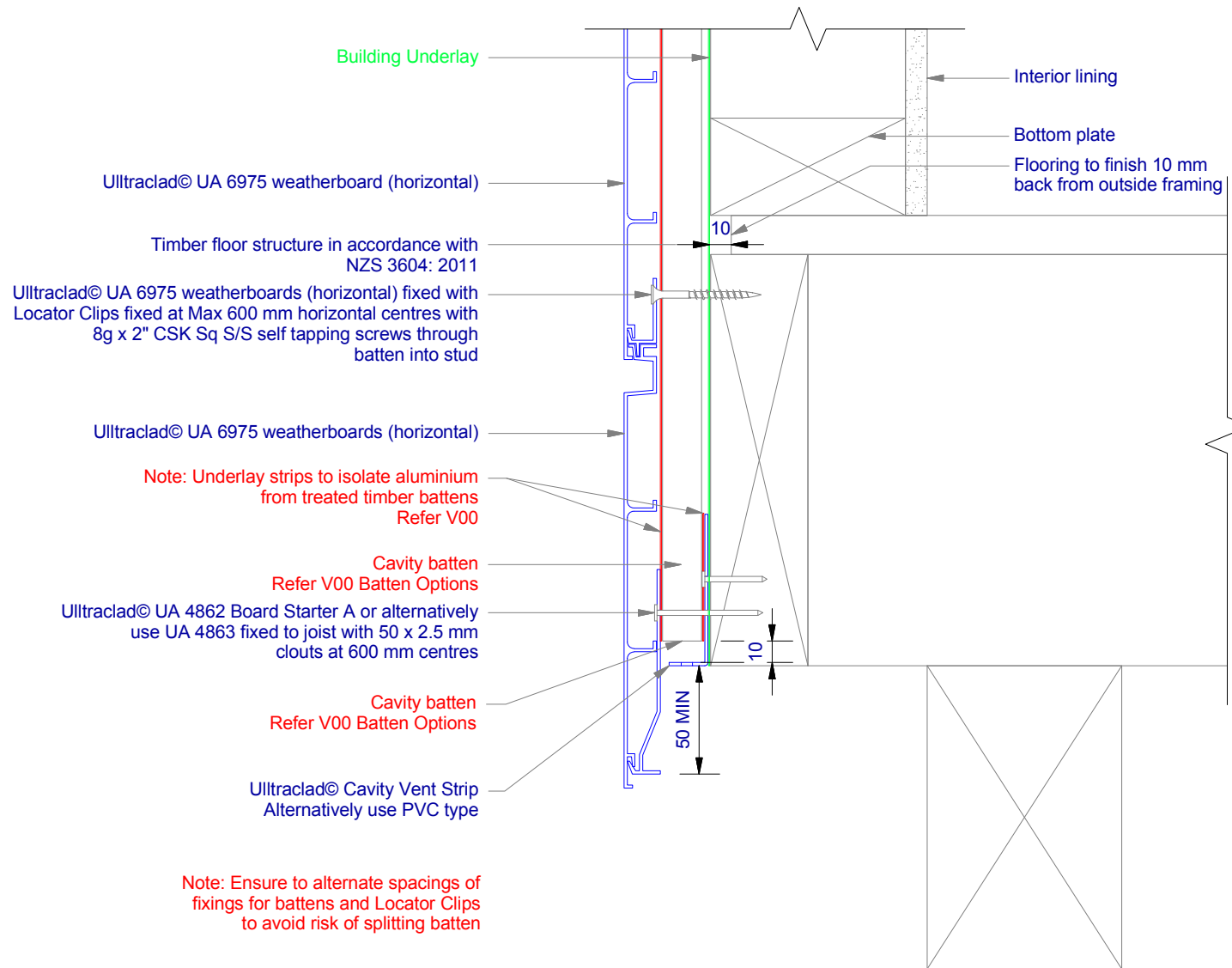
ULLRICH ALUMINIUM CO LTD
PO Box 98 843 Manukau City Auckland 2241
118 Wiri Station Road Wiri 2104 New Zealand
TL 09 262 6262 Ext. 814 Mob 021 541 563
www.ulltraclad.co.nz
© ULLRICH ALUMINIUM - All Rights Reserved

H07
Rev : 10

Soffit Detail on Cavity
UA 6975 SHADOLINE BOARD

HORIZONTAL CAVITY SYSTEM
Scale: 1 : 2 @ A4 - 2019

Branz Appraisal #487 2019. (Horizontal)



Ulltraclad® UA 6975 weatherboard (horizontal)

Timber floor structure in accordance with NZS 3604: 2011

Ulltraclad® UA 6975 weatherboards (horizontal) fixed with Locator Clips fixed at Max 600 mm horizontal centres with 8g x 2" CSK Sq S/S self tapping screws through batten into stud

Ulltraclad® UA 6975 weatherboards (horizontal)

Note: Underlay strips to isolate aluminium from treated timber battens Refer V00

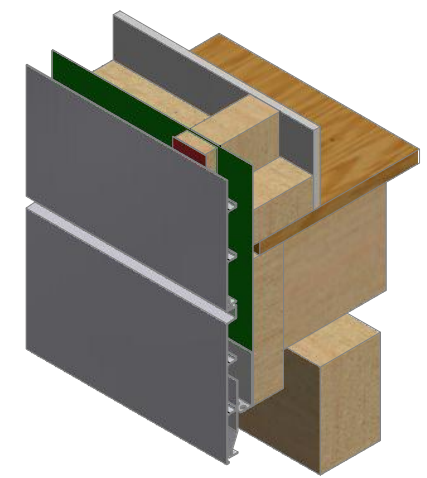
Cavity batten Refer V00 Batten Options

Ulltraclad® UA 4862 Board Starter A or alternatively use UA 4863 fixed to joist with 50 x 2.5 mm clouts at 600 mm centres

Cavity batten Refer V00 Batten Options

Ulltraclad® Cavity Vent Strip Alternatively use PVC type

Note: Ensure to alternate spacings of fixings for battens and Locator Clips to avoid risk of splitting batten



ULLTRACLAD[®]
ALUMINIUM WEATHERBOARDS

ULLRICH ALUMINIUM CO LTD
PO Box 98 843 Manukau City Auckland 2241
118 Wiri Station Road Wiri 2104 New Zealand
TL 09 262 6262 Ext. 814 Mob 021 541 563
www.ulltraclad.co.nz
© ULLRICH ALUMINIUM - All Rights Reserved

H08
Rev : 10

Timber Floor on Cavity
UA 6975 SHADOLINE BOARD
HORIZONTAL CAVITY SYSTEM
Scale: 1 : 3 @ A4 - 2019

Brnz Appraisal #487 2019. (Horizontal)

Ultraclad® UA 6975 weatherboards (horizontal) fixed with Locator Clips fixed at Max 600 mm horizontal centres with 8g x 2" CSK Sq S/S self tapping screws through batten into stud

Building underlay continuous behind head flashing and into opening

Flashing tape

Cavity batten
Refer V00 Batten Options

Note: Underlay strips to isolate aluminium from treated timber battens
Refer V00

Batten may require machining to allow for the thickness of Flashings & Tapes

Ultraclad® Cavity Vent Strip
Alternatively use PVC

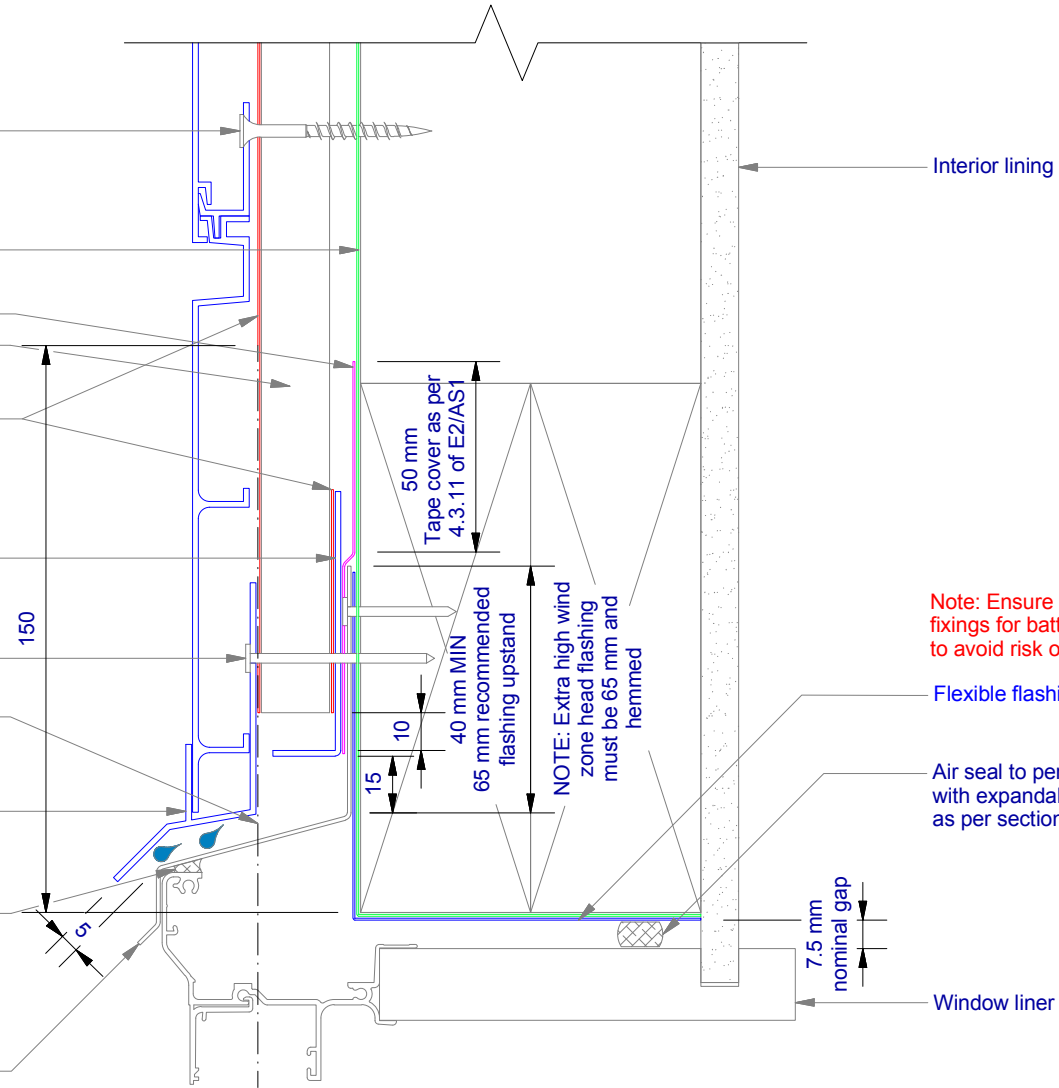
Fixed to lintel at 600 mm centres with 50 x 2.5 mm stainless steel clout.

Vertical track flashing 0.9 mm folded aluminium flashing (hemmed) 150 mm above window head or inter-storey.
Alternatively use Dynex Dynafash

Ultraclad® UA 4533 Head Starter 5 mm diameter drainage holes drilled through base of Head Starter at 300 mm centres

Sealant between head flashing and window flange in Very High Wind Zone and above reference figure 71 (c), E2/AS1

Window head flashing (15° slope) folded stop end. (Note: not supplied with Ultraclad® system - contractor to supply as additional flashing)

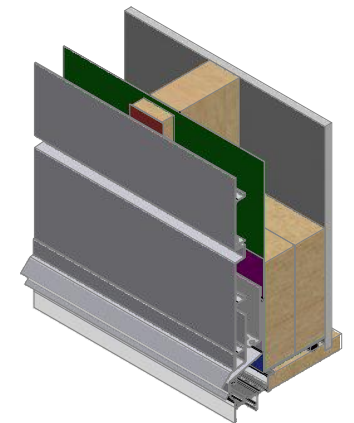


Note: Ensure to alternate spacings of fixings for battens and Locator Clips to avoid risk of splitting batten

Flexible flashing tape at corners

Air seal to perimeter of trim cavity with expandable foam or sealant as per section 9.1.6 of E2/AS1

7.5 mm nominal gap
Window liner



ULLTRA CLAD[®]
ALUMINIUM WEATHERBOARDS

ULLRICH ALUMINIUM CO LTD
PO Box 98 843 Manukau City Auckland 2241
118 Wiri Station Road Wiri 2104 New Zealand
TL 09 262 6262 Ext. 814 Mob 021 541 563

www.ulltraclad.co.nz

© ULLRICH ALUMINIUM - All Rights Reserved

H09

Rev : 10

Window Head on Cavity
UA 6975 SHADOLINE BOARD

HORIZONTAL CAVITY SYSTEM

Scale: 1 : 2 @ A4 - 2019

Brnz Appraisal #487 2019. (Horizontal)

Building underlay continuous around opening

Ultracalad® UA 6975 weatherboards (horizontal) fixed with Locator Clips fixed at Max 600 mm horizontal centres with 8g x 2" CSK Sq S/S self tapping screws through batten into stud

Cavity battens Refer V00 Batten Options

Ultracalad® UA 5833 Soffit Top Cap

Minimum 5 mm clearance to allow for thermal expansion

Screw through UA 7584 base at Max 600 mm horizontal centres with 8g x 2" CSK Sq. S/S self tapping screws through batten into stud

Interior lining

7.5 mm nominal gap

10

5 MIN

10 MIN

15mm *
10 mm min

Note: Ensure to alternate spacings of fixings for battens and Locator Clips to avoid risk of splitting batten

Note: Ensure negative groove (stable) is clear of Jamb flashing cover. Trim Ultracalad® weatherboard as required leaving rib for support as shown

Air seal to perimeter of trim cavity with expandable foam or sealant as per section 9.1.6 of E2AS1

Flexible flashing tape 100 mm minimum up jamb

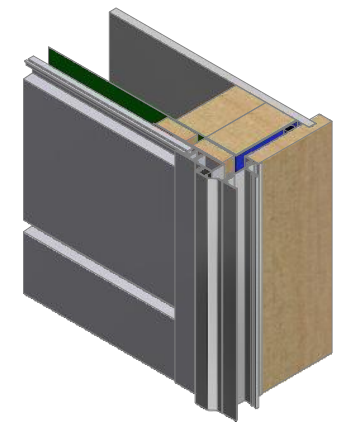
Window liner

Window frame (Note: Refer to window manufacturer for method of supporting and fixing)

Note: Underlay strips to isolate aluminium from treated timber battens Refer V00

Vertical track flashing 0.9 mm folded aluminium flashing (hemmed) 150 mm above window head. Alternatively use Dynex Dynaflash

Inseal 3109 – min 19 mm thick x 10 mm wide



ULLTRACLAD®
ALUMINIUM WEATHERBOARDS

ULLRICH ALUMINIUM CO LTD
PO Box 98 843 Manukau City Auckland 2241
118 Wiri Station Road Wiri 2104 New Zealand
TL 09 262 6262 Ext. 814 Mob 021 541 563

www.ulltracalad.co.nz

© ULLRICH ALUMINIUM - All Rights Reserved

H10

Rev : 10

Window Jamb on Cavity
UA 6975 SHADOLINE BOARD

HORIZONTAL CAVITY SYSTEM

Scale: 1 : 2 @ A4 - 2019

Brnz Appraisal #487 2019. (Horizontal)

Window frame (Note: Refer to window manufacturer for method of supporting and fixing)

Window support bar for window openings wider than 600 mm. Support bar to comply with E2/AS1 9.1.10.5(v)

Ultraclad® UA 5833 Soffit Top Cap clipped into UA 7584 mitred in corners to join with Jamb

Note: Ensure to alternate spacings of fixings for battens and Locator Clips to avoid risk of splitting batten

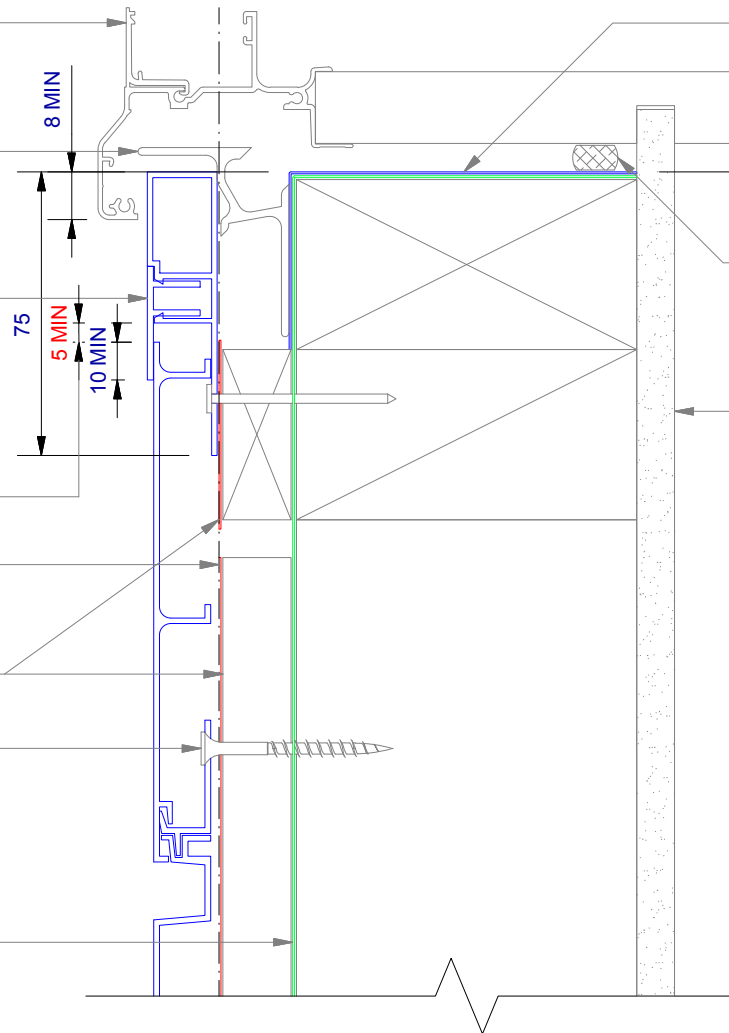
Minimum 5 mm clearance to allow for thermal expansion

Vertical track flashing 0.9 mm folded aluminium flashing (hemmed) 150 mm above window head. Alternatively use Dynex Dynafash

Note: Underlay strips to isolate aluminium from treated timber battens Refer V00

Ultraclad® UA 6975 weatherboards (horizontal) fixed with Locator Clips fixed at Max 600 mm horizontal centres with 8g x 2" CSK Sq S/S self tapping screws through batten into stud

Building underlay continuous around opening



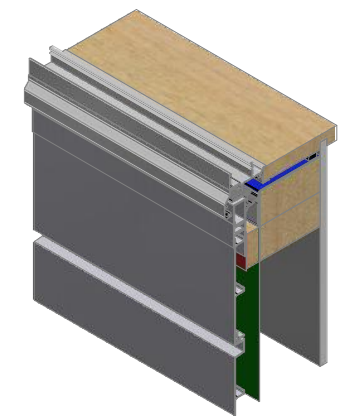
Flexible flashing tape along entire sill. 100 mm up each Jamb and 50 mm onto surface of building underlay

Window liner

7.5 mm nominal gap

Air seal to perimeter of trim cavity with expandable foam or sealant as per section 9.1.6 of E2/AS1

Interior lining



ULLTRACLAD[®]
ALUMINIUM WEATHERBOARDS

ULLRICH ALUMINIUM CO LTD
PO Box 98 843 Manukau City Auckland 2241
118 Wiri Station Road Wiri 2104 New Zealand
TL 09 262 6262 Ext. 814 Mob 021 541 563

www.ulltracld.co.nz

© ULLRICH ALUMINIUM - All Rights Reserved

H11

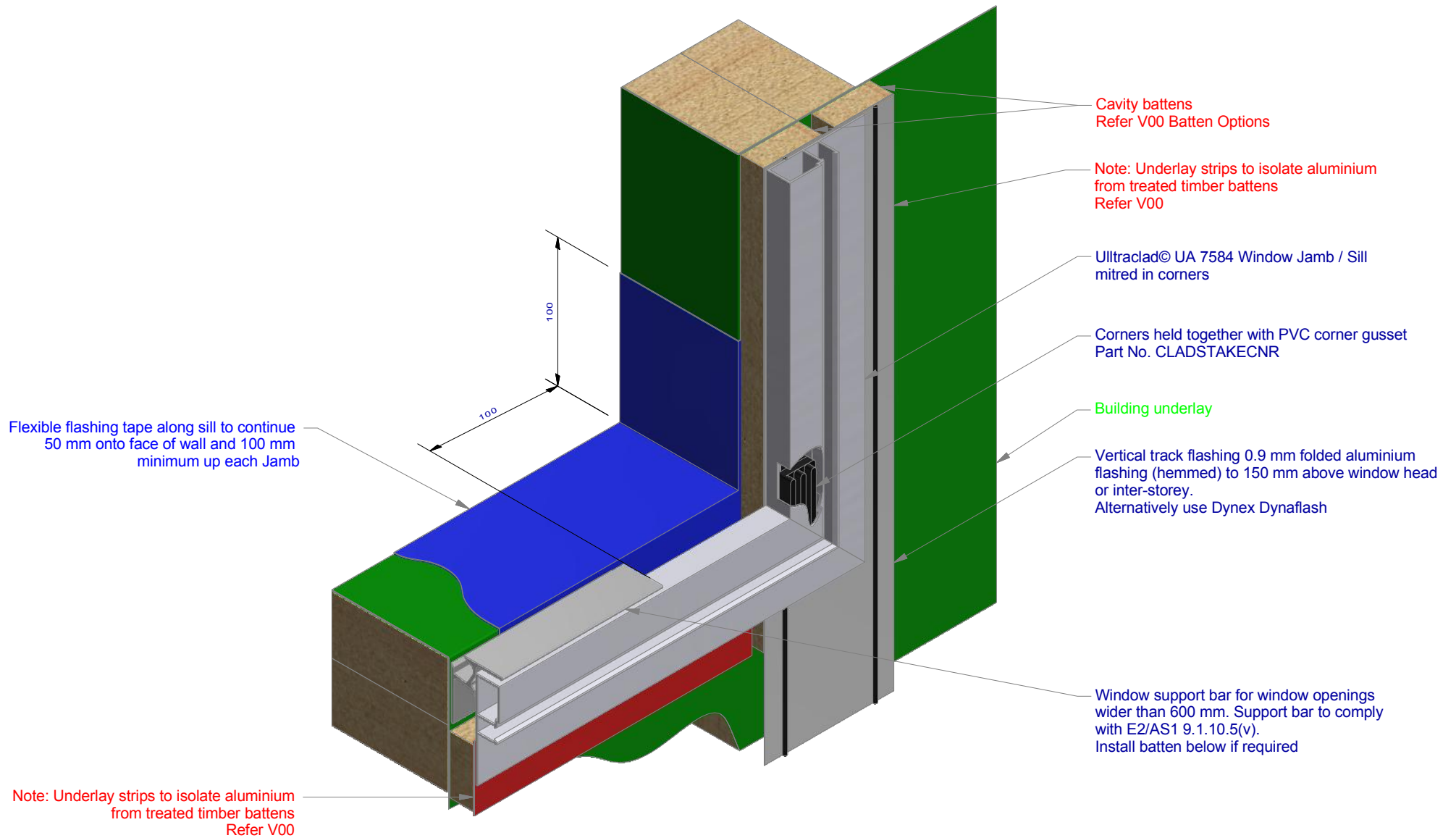
Rev : 10

Window Sill on Cavity
UA 6975 SHADOLINE BOARD

HORIZONTAL CAVITY SYSTEM

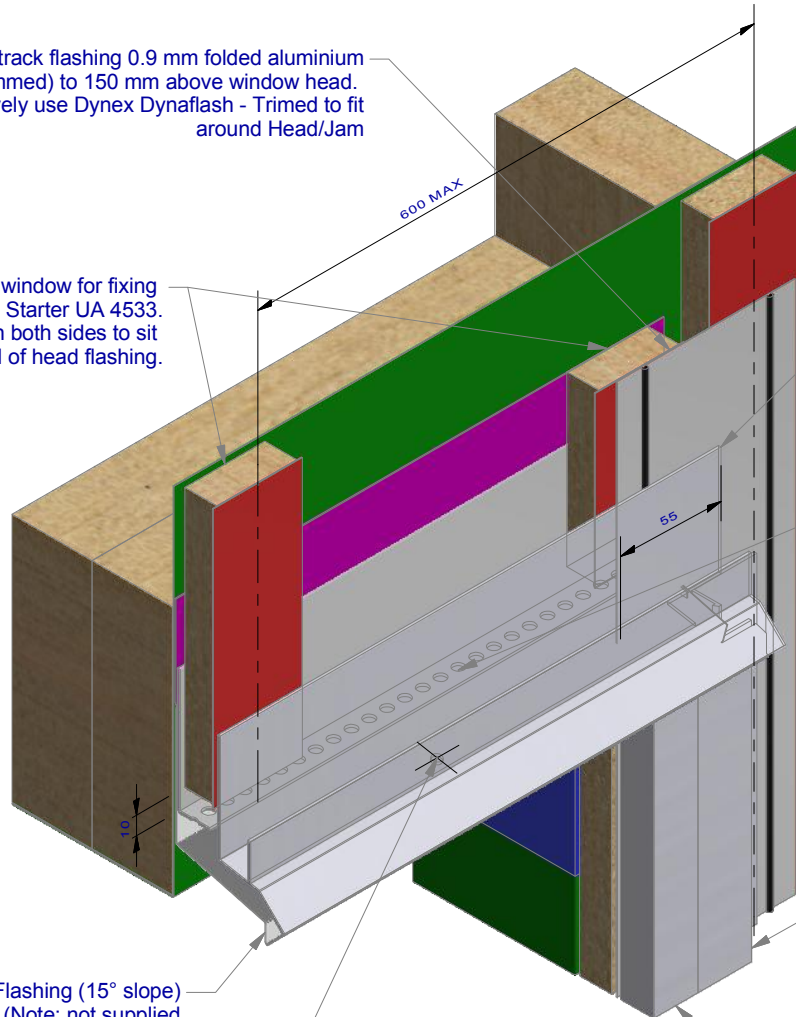
Scale: 1 : 2 @ A4 - 2019

Brnz Appraisal #487 2019. (Horizontal)



Vertical track flashing 0.9 mm folded aluminium flashing (hemmed) to 150 mm above window head.
Alternatively use Dynex Dynaflash - Trimmed to fit around Head/Jam

Battens above window for fixing window head Starter UA 4533.
Outer batten both sides to sit inside stope of head flashing.



Window Head Flashing (15° slope) folded stop end. (Note: not supplied with Ulltraclad© system - contractor to supply as additional flashing)

Ulltraclad© UA 4533 Head Starter 5 mm diameter drainage holes drilled through base of Head Starter at 300 mm centres

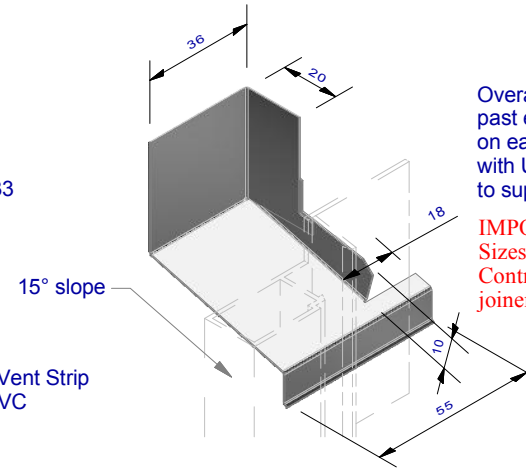
Ulltraclad© UA 4533 Head Starter

Ulltraclad© Cavity Vent Strip Alternatively use PVC

Ulltraclad© UA 5833 Soffit Clip Top. To finish flush with window head flashing and starter

Ulltraclad© UA 7584 Jamb Flashing

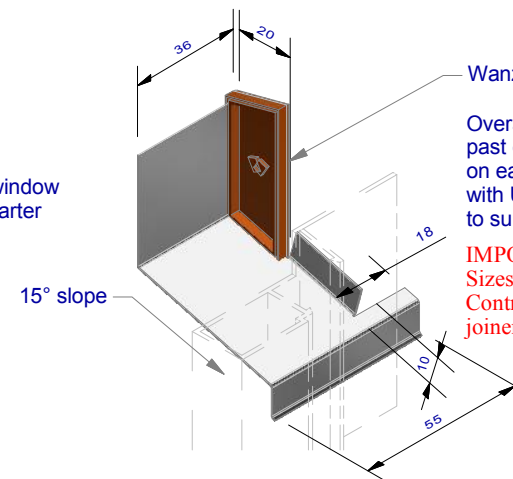
Window Head Flashing Option 1 Cut & Fold Stop End (1 : 2)



Overall Head Flashing length = +40 mm past edge of window and door joinery on each side. (Note: not supplied with Ulltraclad© system - contractor to supply as additional flashing)

IMPORTANT:
Sizes shown are indicative only!
Contractor to confirm onsite as joinery suites may vary

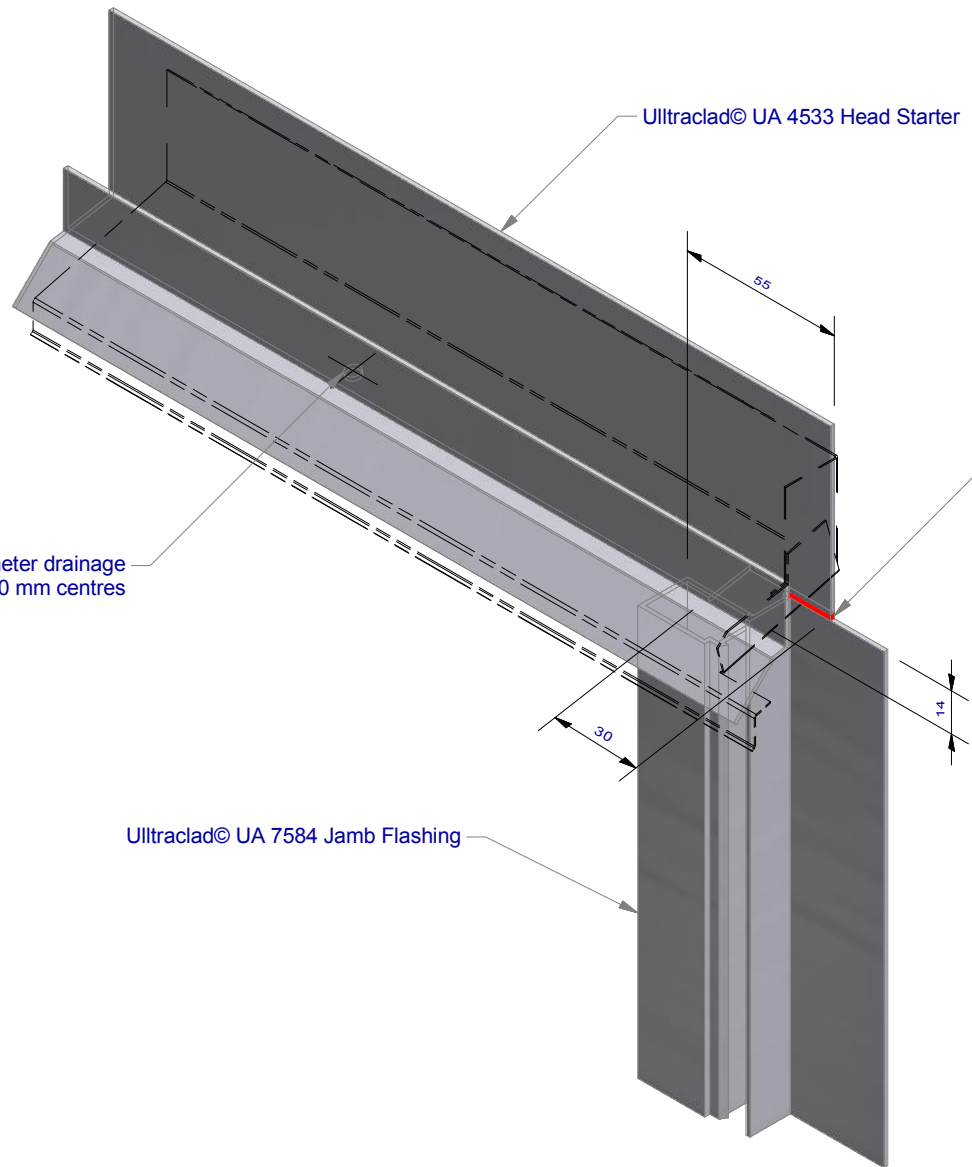
Window Head Flashing Option 2 Wanz Plastic Stop End Cap (1 : 2)



Wanz Plastic Stop End

Overall Head Flashing length = +40 mm past edge of window and door joinery on each side. (Note: not supplied with Ulltraclad© system - contractor to supply as additional flashing)

IMPORTANT:
Sizes shown are indicative only!
Contractor to confirm onsite as joinery suites may vary



IMPORTANT:
 Sizes shown are indicative only!
 Contractor to confirm onsite as
 joinery suites may vary

Applying sealant before fitting UA 4533
 sealant at facade

Note: Ulltraclad® UA 4533 Head Starter to extend
 40 mm past edge of window or door joinery.
 Building underlay, flashing tape and UA 5833
 omitted for clarity

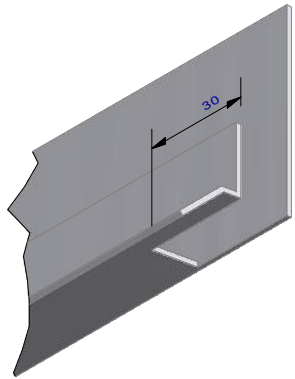
Ulltraclad® UA 4533 Head Starter 5 mm diameter drainage
 holes drilled through base of Head Starter at 300 mm centres

Ulltraclad® UA 7584 Jamb Flashing

Ultraclad® UA 4533 Head Starter 5 mm diameter drainage holes drilled through base of Head Starter at 300 mm centres

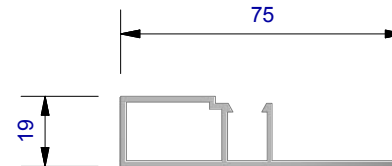
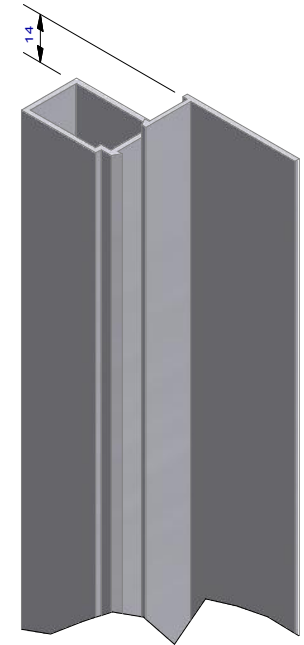


IMPORTANT:
 Sizes shown are indicative only!
 Contractor to confirm onsite as
 joinery suites may vary



Ultraclad® UA 4533
 Head Starter

Ultraclad® UA 7584
 Jamb Flashing



ULLTRA CLAD®
 ALUMINIUM WEATHERBOARDS

ULLRICH ALUMINIUM CO LTD
 PO Box 98 843 Manukau City Auckland 2241
 118 Wiri Station Road Wiri 2104 New Zealand
 TL 09 262 6262 Ext. 814 Mob 021 541 563
 www.ulltraclad.co.nz
 © ULLRICH ALUMINIUM - All Rights Reserved

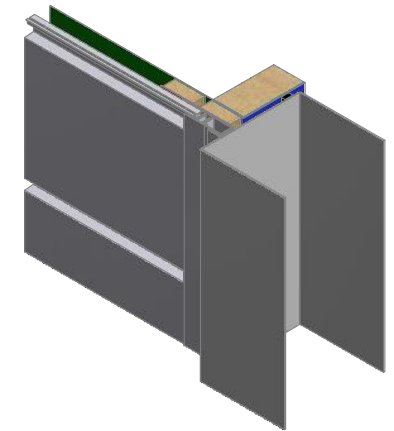
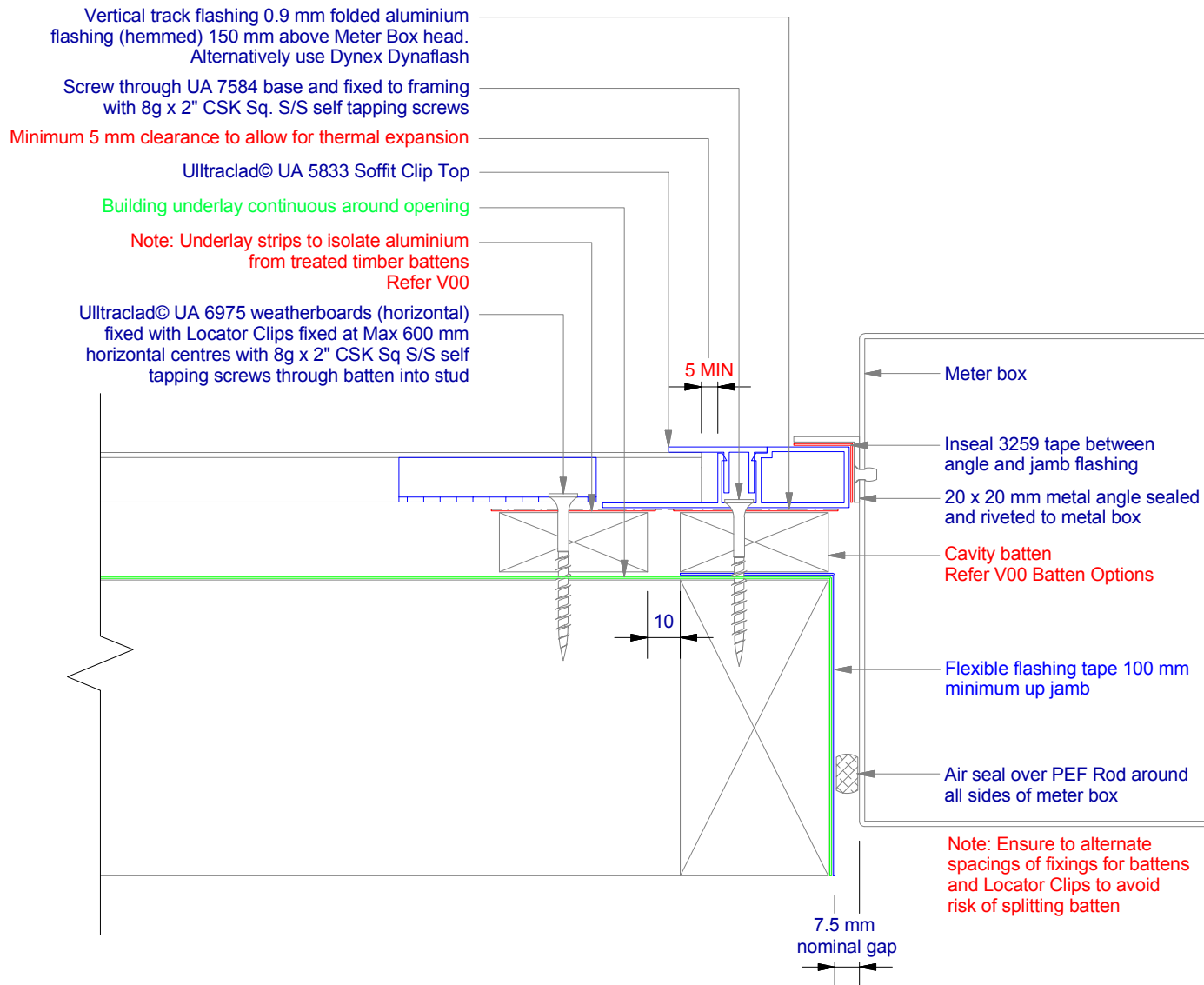
H15

Rev : 10

Head - Jamb Notching Details
 UA 6975 SHADOLINE BOARD

HORIZONTAL CAVITY SYSTEM
 Scale: 1 : 2 @ A4 - 2019

Brnz Appraisal #487 2019. (Horizontal)



ULLTRACLAD®
ALUMINIUM WEATHERBOARDS

ULLRICH ALUMINIUM CO LTD
PO Box 98 843 Manukau City Auckland 2241
118 Wiri Station Road Wiri 2104 New Zealand
TL 09 262 6262 Ext. 814 Mob 021 541 563
www.ulltraclad.co.nz
© ULLRICH ALUMINIUM - All Rights Reserved

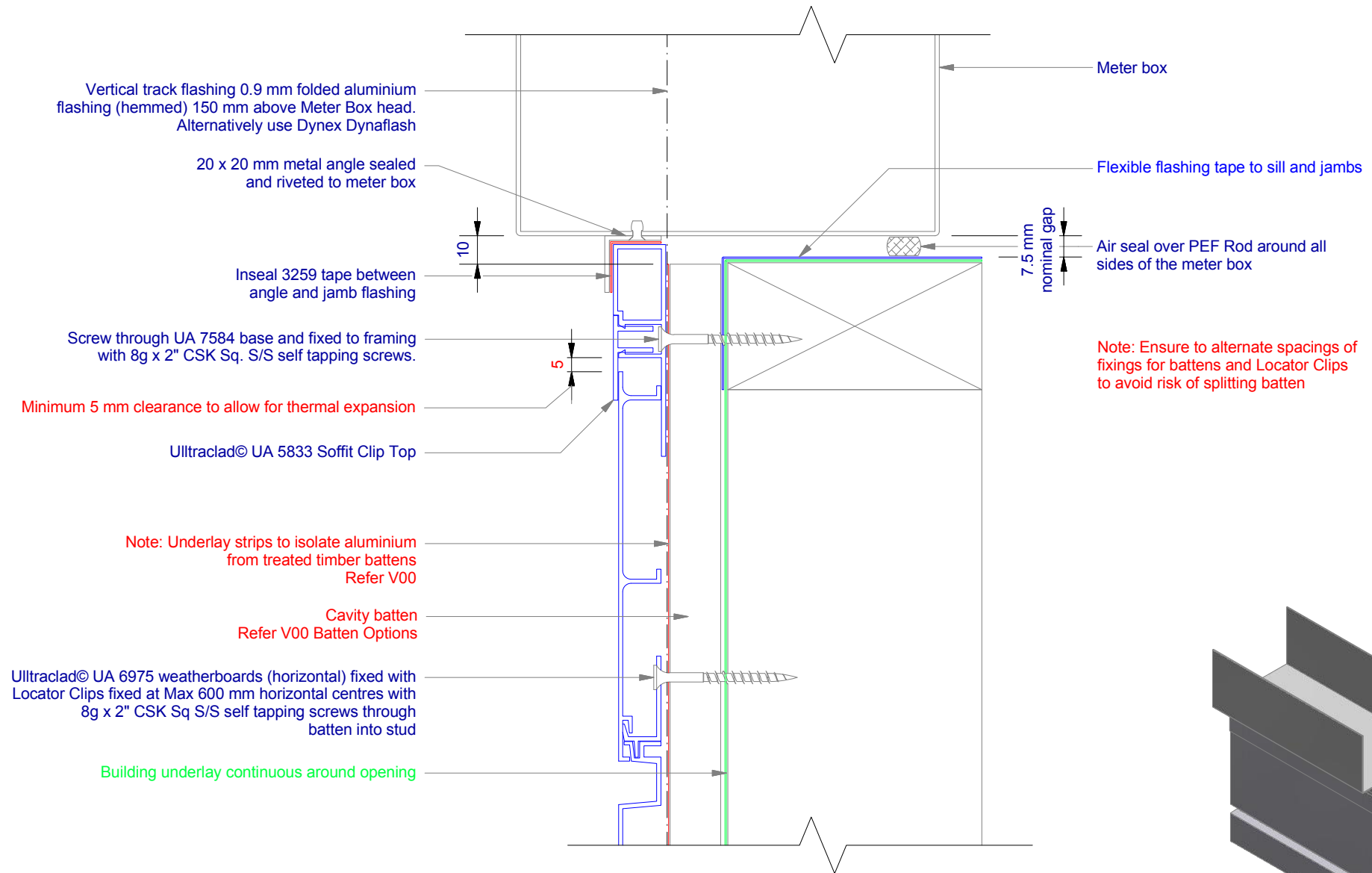
H17

Rev : 10

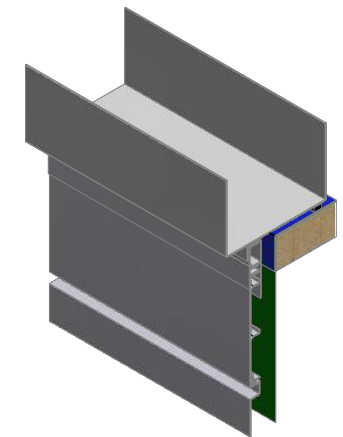
Meter Box Jamb on Cavity
UA 6975 SHADOLINE BOARD

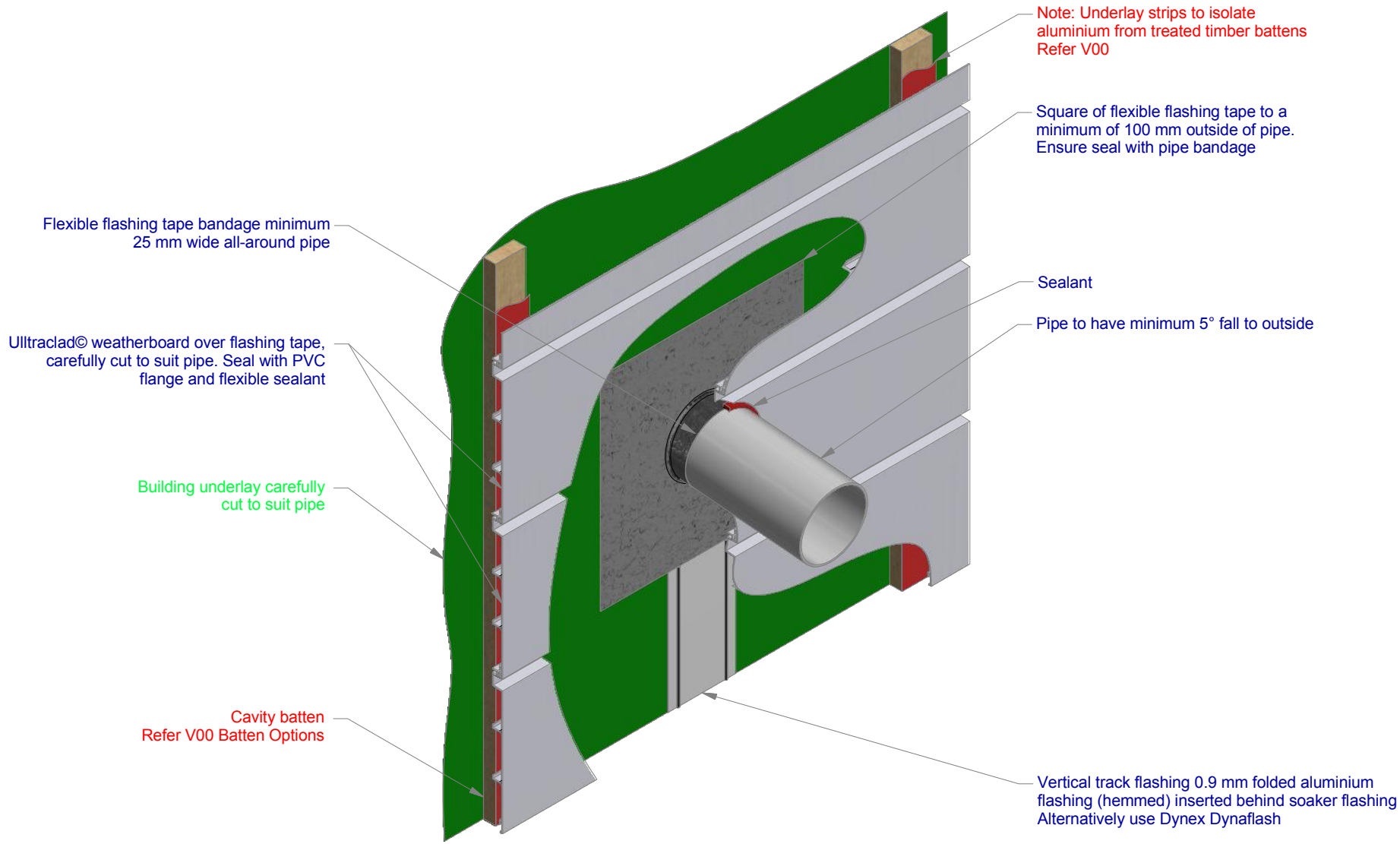
HORIZONTAL CAVITY SYSTEM
Scale: 1 : 2 @ A4 - 2019

Brnz Appraisal #487 2019. (Horizontal)



Note: Ensure to alternate spacings of fixings for battens and Locator Clips to avoid risk of splitting batten





Ultraclad® UA 6975 weatherboards (horizontal) fixed with Locator Clips fixed at Max 600 mm horizontal centres with 8g x 2" CSK Sq S/S self tapping screws through batten into stud

Building underlay over apron flashing

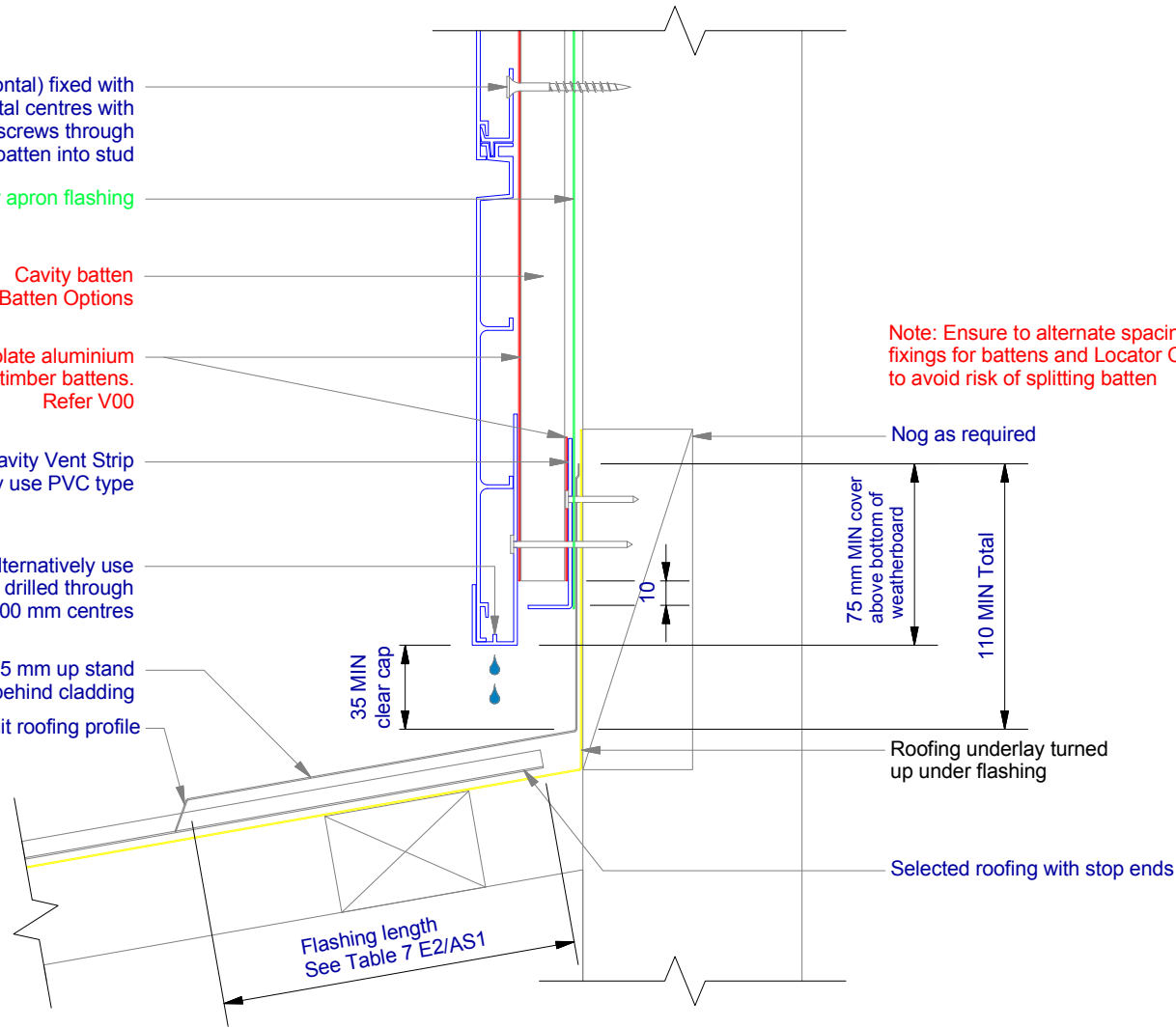
Cavity batten
Refer V00 Batten Options

Note: Underlay strips to isolate aluminium from treated timber battens.
Refer V00

Ultraclad® Cavity Vent Strip
Alternatively use PVC type

Ultraclad® UA 4863 Board Starter B alternatively use UA 4862. 5 mm diameter drainage hole drilled through base of Vertical Starter at 300 mm centres

Apron flashing with 75 mm up stand cover behind cladding
Turn-down to suit roofing profile



Note: Ensure to alternate spacings of fixings for battens and Locator Clips to avoid risk of splitting batten

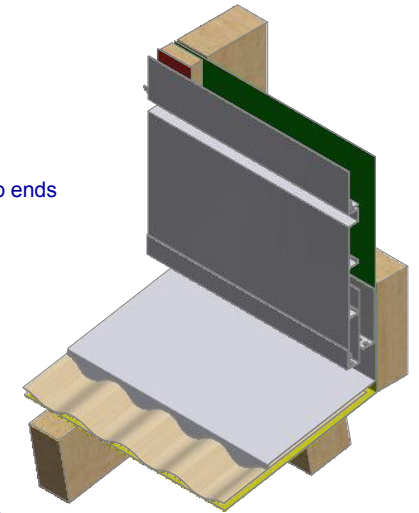
Nog as required

75 mm MIN cover above bottom of weatherboard

110 MIN Total

Roofing underlay turned up under flashing

Selected roofing with stop ends



ULLTRACLAD[®]
ALUMINIUM WEATHERBOARDS

ULLRICH ALUMINIUM CO LTD
PO Box 98 843 Manukau City Auckland 2241
118 Wiri Station Road Wiri 2104 New Zealand
TL 09 262 6262 Ext. 814 Mob 021 541 563

www.ulltracld.co.nz

© ULLRICH ALUMINIUM - All Rights Reserved

H20

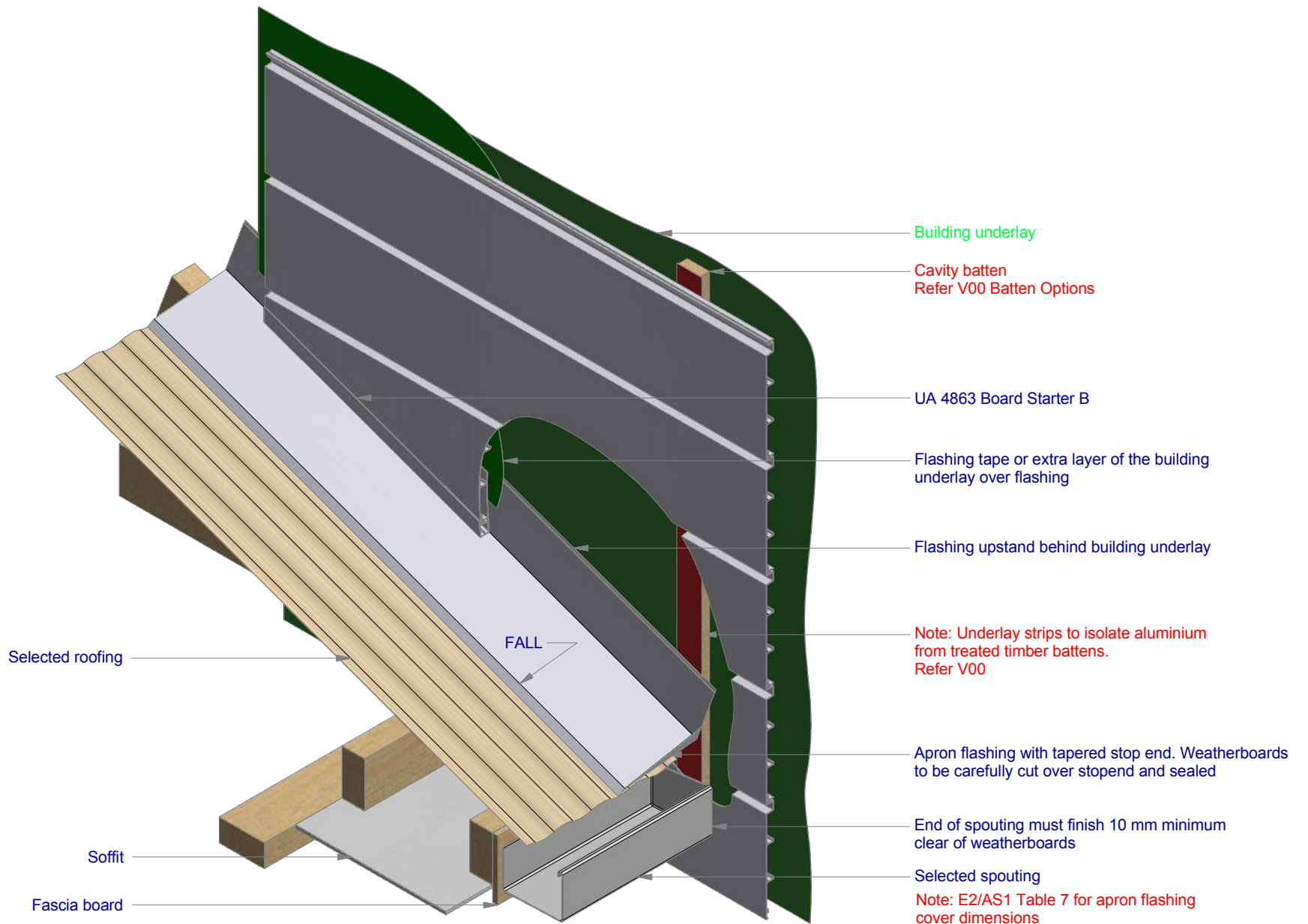
Rev : 10

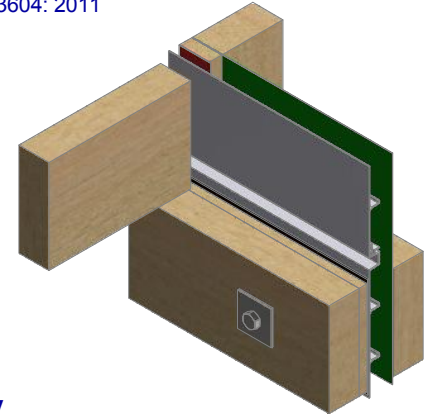
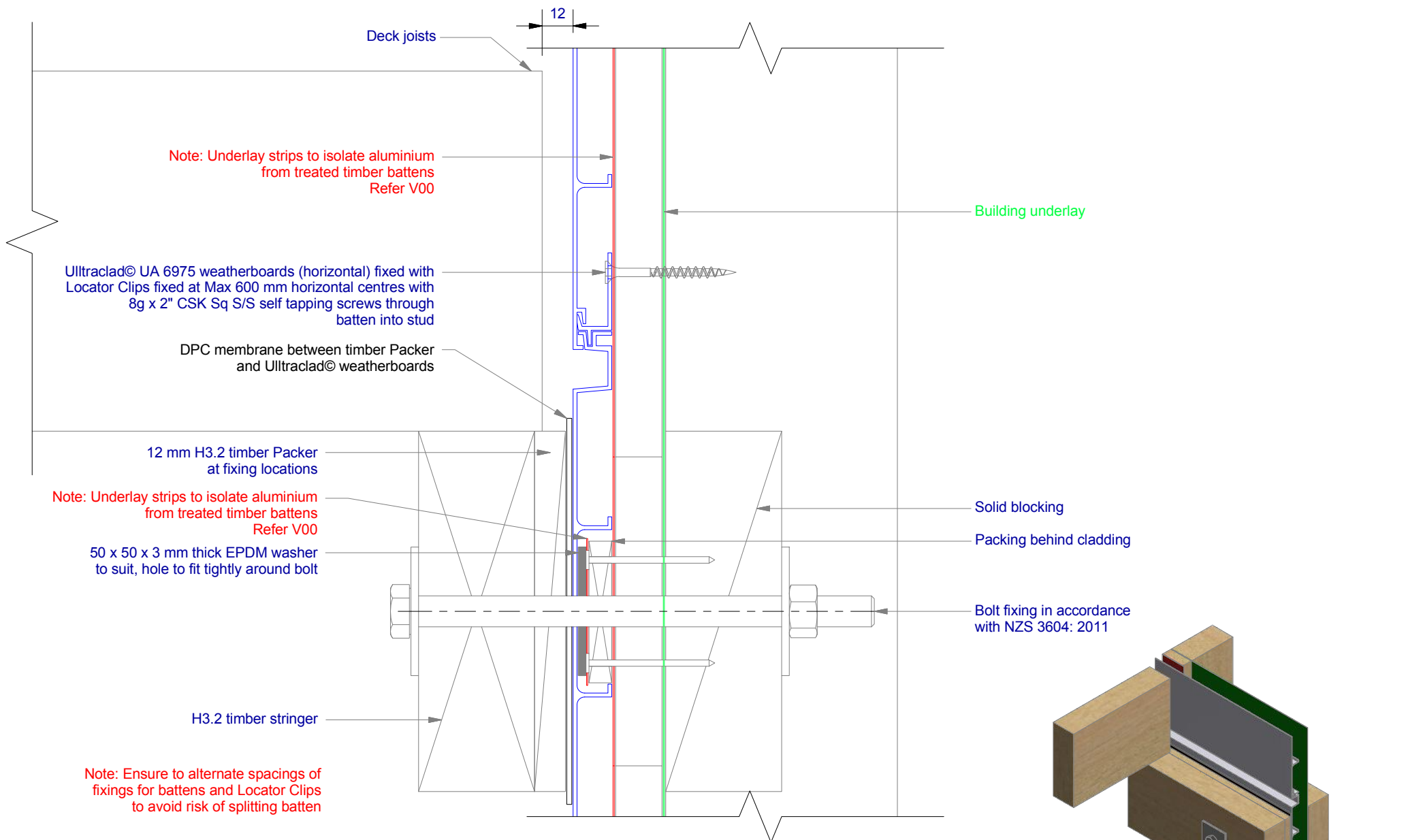
Roof-Wall Junction on Cavity
UA 6975 SHADOLINE BOARD

HORIZONTAL CAVITY SYSTEM

Scale: 1 : 3 @ A4 - 2019

Brnz Appraisal #487 2019. (Horizontal)





Note: Ensure to alternate spacings of fixings for battens and Locator Clips to avoid risk of splitting batten

Ultracalad® UA 6975 weatherboards (horizontal) fixed with Locator Clips fixed at Max 600 mm horizontal centres with 8g x 2" CSK Sq S/S self tapping screws through batten into stud

Building underlay

Note: Underlay strips to isolate aluminium from treated timber battens Refer V00

Flashing tape

Ultracalad® UA 4862 Board Starter A or alternatively use UA 4863 fixed to bottom plate with 50 x 2.5 mm clouts at 600 mm centres

Ultracalad® UA 7919 Inter-Storey Flashing

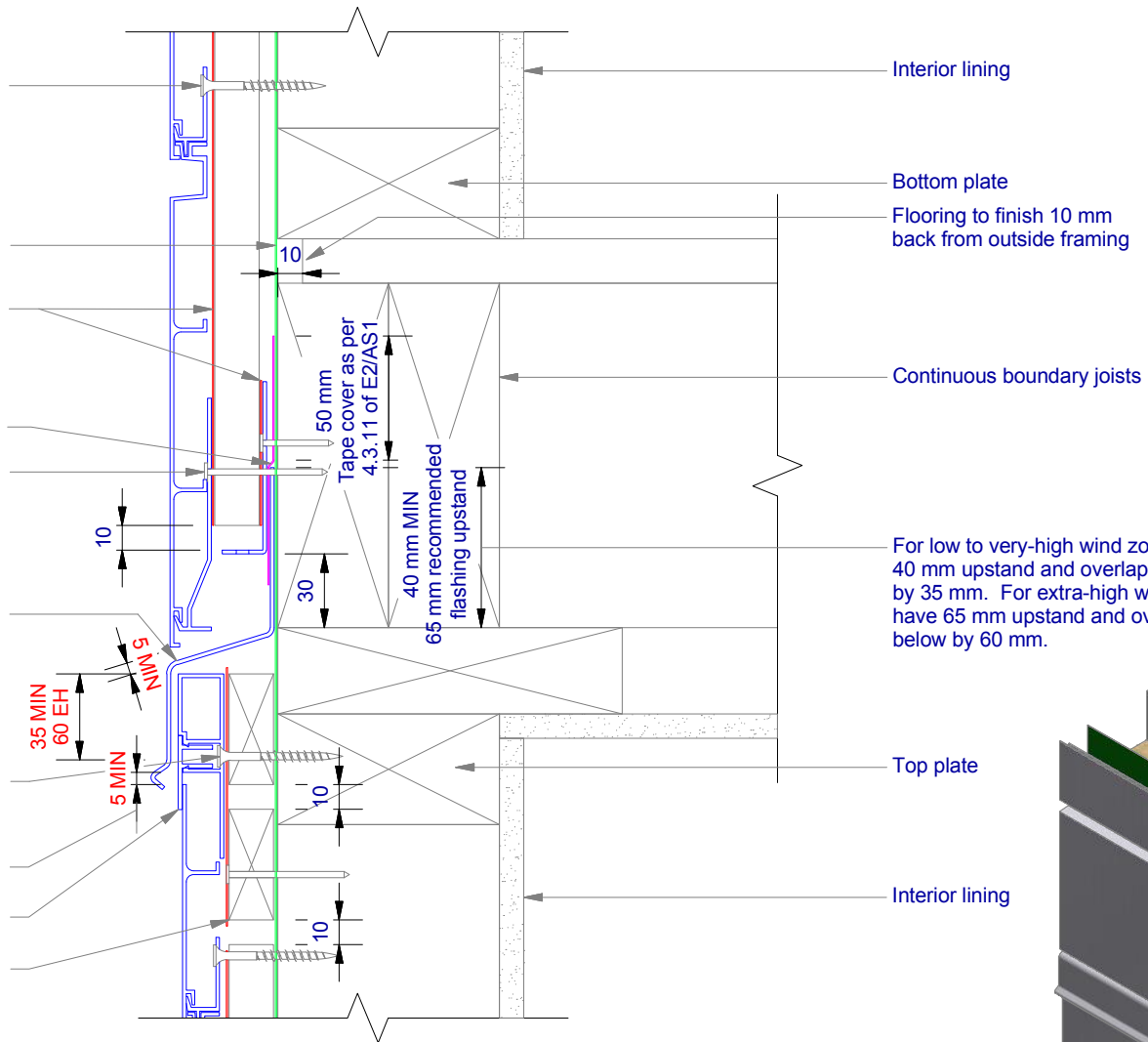
Screw through UA 7584 base at Max 600 mm horizontal centres with 8g x 2" CSK Sq. S/S self tapping screws through batten into frame

Minimum 5 mm clearance to allow for thermal expansion

Ultracalad® UA 5833 Soffit Clip Top

Cavity batten Refer V00 Batten Options

Note: this detail is required to limit cavities to 2 storeys or 7 m Max - Refer E2/AS1 clause 9.1.9.4



Interior lining

Bottom plate

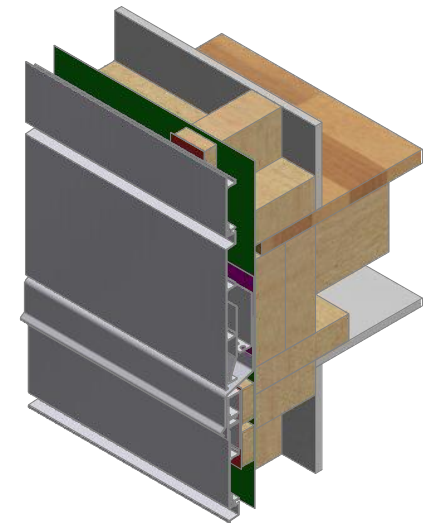
Flooring to finish 10 mm back from outside framing

Continuous boundary joists

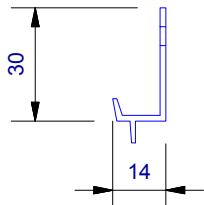
For low to very-high wind zones the 'Z' flashing must have a 40 mm upstand and overlap the weatherboard face below by 35 mm. For extra-high wind zones the 'Z' flashing must have 65 mm upstand and overlap the weatherboard face below by 60 mm.

Top plate

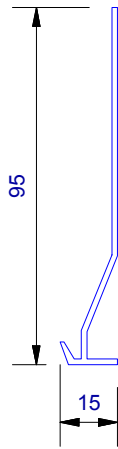
Interior lining



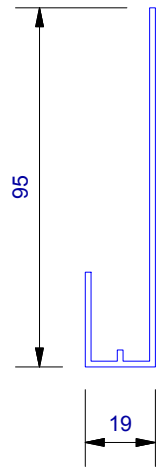
UA 4535
Locator Clip



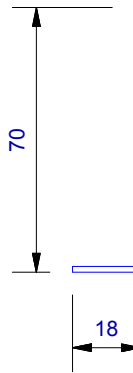
UA 4862
Board Starter A



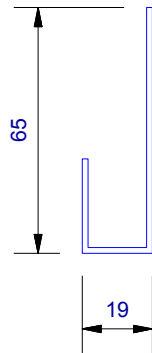
UA 4863
Board Starter B



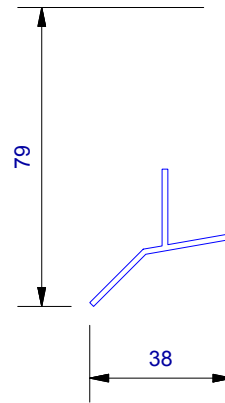
Cavity Vent Strip



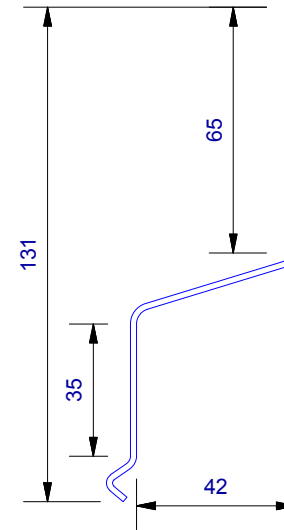
UA 4532
J Moulding



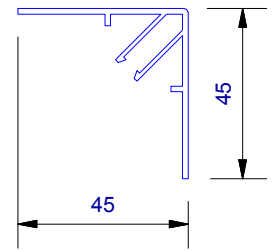
UA 4533
Head Starter



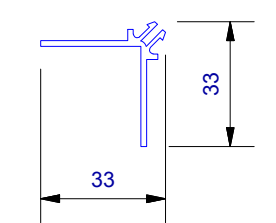
UA 7919
Inter - Storey Flashing



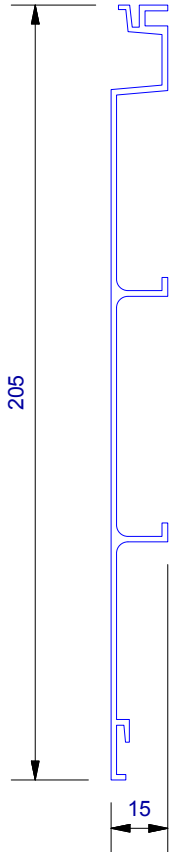
UA 7094
Female Flat Corner



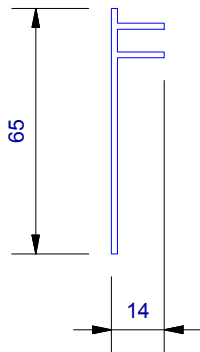
UA 7095
Male Flat Corner



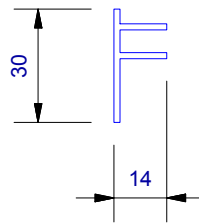
UA 6975
Shadoline board



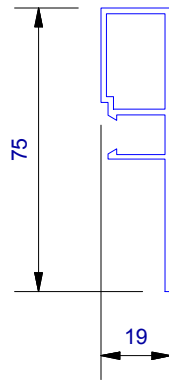
UA 5832
Soffit 65mm Clip Top



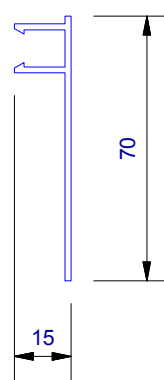
UA 5833
Soffit 30mm Clip Top



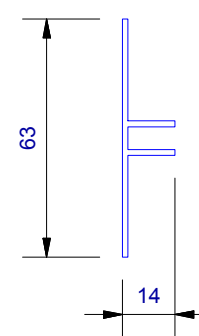
UA 7584
Jamb/Sill Clip Base



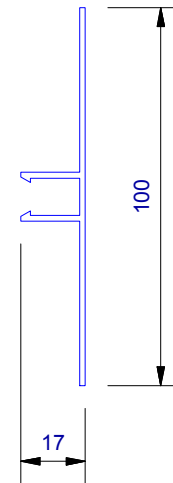
UA 5831
Soffit Clip Base



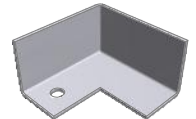
UA 7096
Flat Joints Top



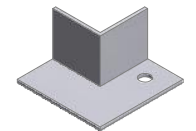
UA 6324
2 Piece Joints Base



CLADCNRCAPE
External Corner Cap (1 : 3)



CLADCNRCAPI
Internal Corner Cap (1 : 3)



CLADSTAKECNR
Plastic Staking Corner (1 : 3)

