

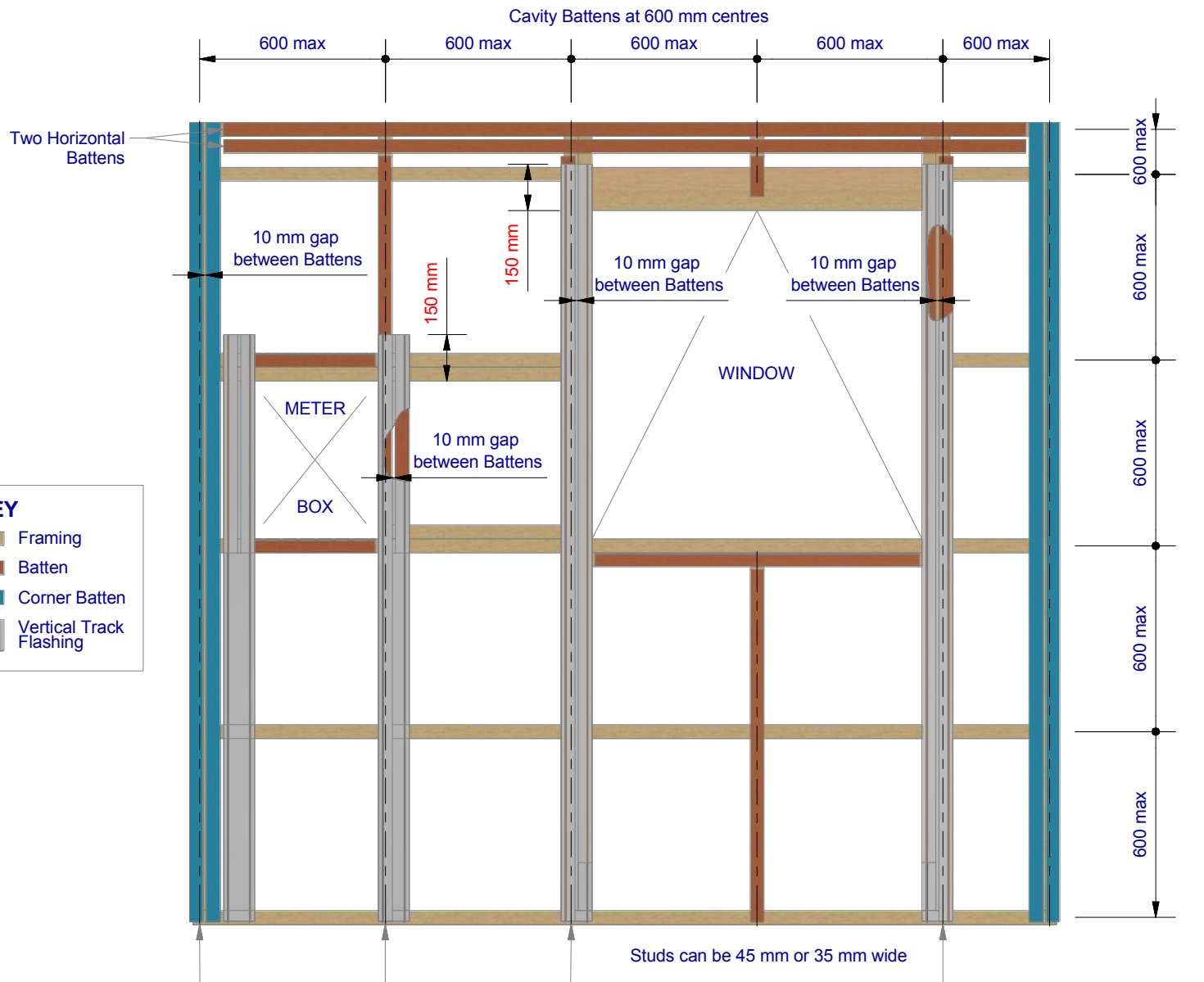


UA7401 INFINITY BOARD HORIZONTAL CAVITY SYSTEM

REV: 10 2019

H00 : Wall Batten Elevation
H01 : External Corner on Cavity
H02 : Internal Corner on Cavity
H03 : Horizontail wall Jointer
H04 : 90° deg Corner Cap
H05 : Vertical Wall Starter
H06 : No Soffit Detail on Cavity
H07 : Soffit Detail on Cavity
H08 : Timber Floor on Cavity
H09 : Window Head on Cavity
H10 : Window Jam on Cavity
H11 : Window Sill on Cavity
H12 : Sill-Jamb on Cavity

H13 : Head flashing / Head Starter / Jamb iso
H14 : Head - Jamb iso
H15 : Head - Jamb Notching Details
H16 : Meter Box Head on Cavity
H17 : Meter Box Jamb on Cavity
H18 : Meter Box Sill on Cavity
H19 : Pipe Penetration on Cavity
H20 : Roof-Wall Junction on Cavity
H21 : Gutter Wall Junction on Cavity
H22 : Parapet on Cavity
H23 : Deck Junction on Cavity
H24 : Inter-Storey Junction on Cavity
H25 : Infinity Board Profiles



Batten options

Impervious barrier (MDPE) or similar tape between cladding and batten.

To comply with NZBC E2/AS1 - Table 23.

Note:

Some machining of battens may be required to avoid "build up".
i.e. back flashings / tapes

Cavity plastic Batten

Note:

packing/shims may be needed to ensure boards are fitted flat without distortion.

* Additional timber may be required at soffit to support UA 5831 Soffit Base.

Note: Important

Underlay strips to isolate aluminium from treated timber battens 50 mm wide medium density polyethylene (MDPE)

To comply with NZBC E2/AS1 - Table 23. Properties of roofing underlays and wall underlays, separates aluminium components and accessories from timber battens treated with copper-based treatments

Cavity closers required as per NZBC E2/AS1 (section 9.1.8)

Vertical Cavity Corner Batten
50 x 25 mm H3.1 treated Radiata. Cavity battens fixed with 6g x 1.25" CSK Sq S/S pre-drilled screws through batten into stud

0.9 x 90 mm Aluminium Track Flashing.
Alternatively use Dynex Dynaflash.

Locator Clips fixed at Max 600 mm horizontal centres with 8g x 2" CSK Sq S/S self tapping screws through batten into stud

Vertical cavity batten (corners only) fixed with 6g x 1.25" CSK Sq S/S pre-drilled screws through batten into stud

5 MIN

Minimum 5 mm clearance to allow for thermal expansion

Ulltraclad® UA 7094 Female Corner Flashing

Ulltraclad® UA 7095 Male Corner Flashing fixed to timber battens with 30 x 2.5 mm stainless steel clouts at 600 mm vertical centres

5 MIN

Ulltraclad® UA 7401 weatherboard

Note: Underlay strips to isolate aluminium from treated timber battens Refer V00

Cavity batten Refer V00 Batten Options

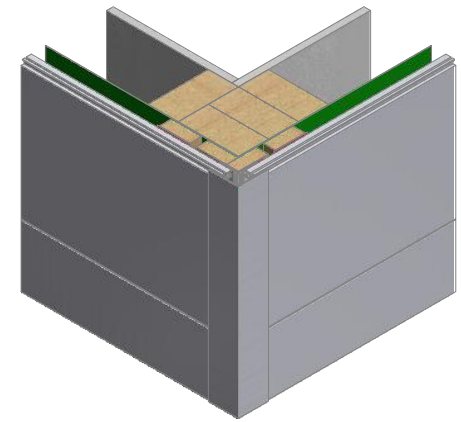
Locator Clip UA 4535

Building underlay continuous around corner

Wall frame

Interior lining

Note: Ensure to alternate spacings of fixings for battens and Locator Clips to avoid risk of splitting batten



ULLTRACLAD®
ALUMINIUM WEATHERBOARDS

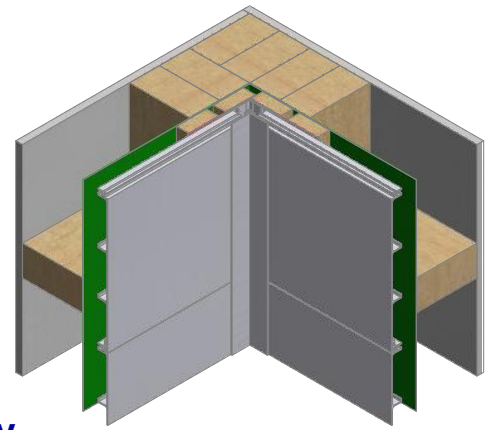
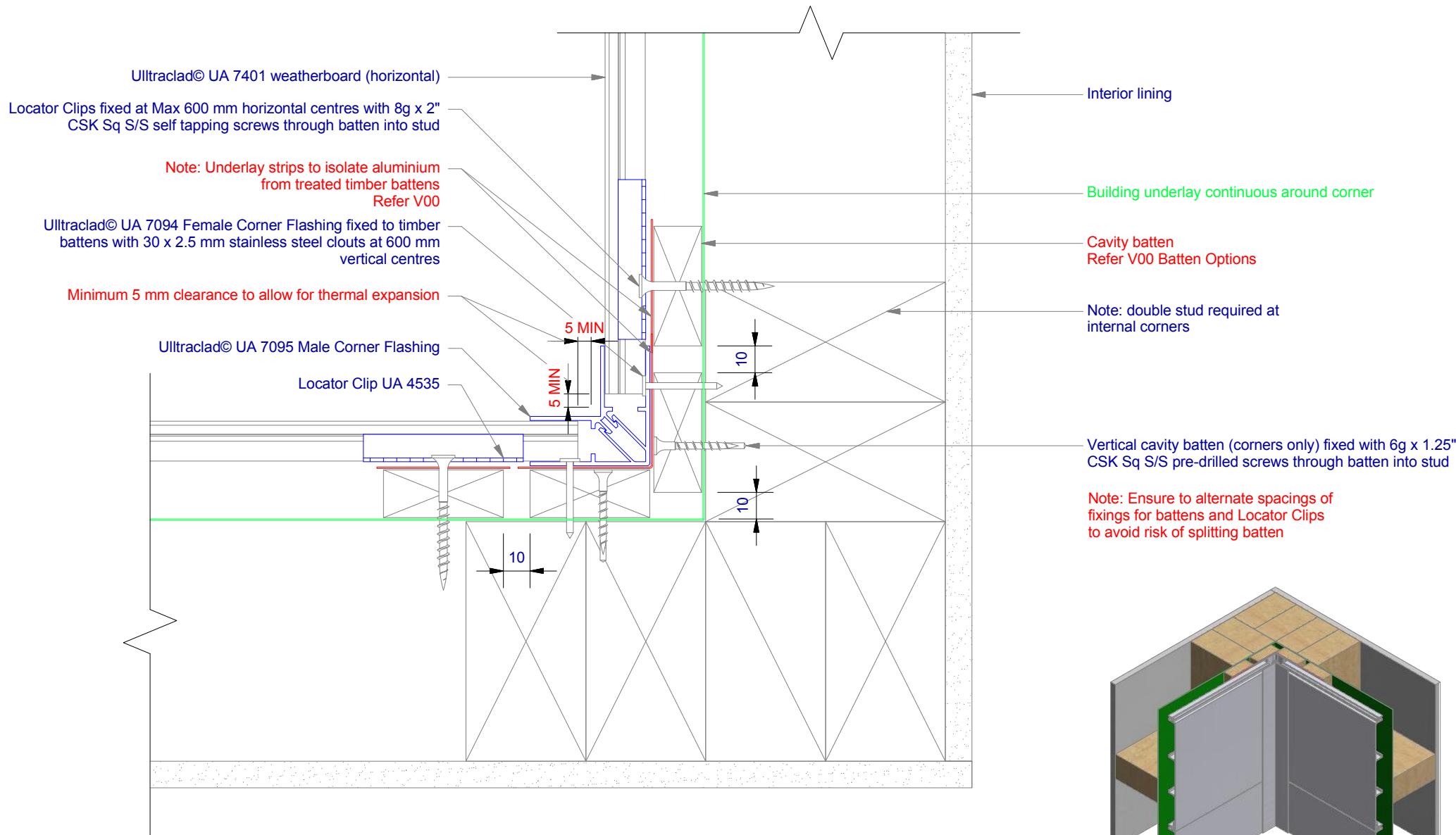
ULLTRACLAD ALUMINIUM CO LTD
PO Box 98 843 Manukau City Auckland 2241
118 Wiri Station Road Wiri 2104 New Zealand
TL 09 262 6262 Ext. 814 Mob 021 541 563
www.ulltraclad.co.nz
© ULLRICH ALUMINIUM - All Rights Reserved

H01
Rev : 10

External Corner on Cavity
UA 7401 INFINITY BOARD

HORIZONTAL CAVITY SYSTEM
Scale: 1 : 2 @ A4 - 2019

Brnz Appraisal #487 2019. (Horizontal)



ULLTRACLAD[®]
ALUMINIUM WEATHERBOARDS

ULLTRACLAD ALUMINIUM CO LTD
PO Box 98 843 Manukau City Auckland 2241
118 Wiri Station Road Wiri 2104 New Zealand
TL 09 262 6262 Ext. 814 Mob 021 541 563
www.ulltraclad.co.nz
© ULLRICH ALUMINIUM - All Rights Reserved

H02
Rev : 10

Internal Corner on Cavity
UA 7401 INFINITY BOARD
HORIZONTAL CAVITY SYSTEM
Scale: 1 : 2 @ A4 - 2019

Brnz Appraisal #487 2019. (Horizontal)

Minimum 5 mm clearance to allow for thermal expansion

Ulltraclad® UA 6324 Jointer Bottom fixed to wall frame with 30 x 2.5 mm clouts at 600 mm centres

Cavity batten Refer V00 Batten Options

Note: Underlay strips to isolate aluminium from treated timber battens Refer V00

Minimum 5 mm clearance to allow for thermal expansion

Ulltraclad® UA 7096 Flat Jointer Top

Ulltraclad® UA 7401 weatherboard

Building underlay

Drained and vented cavity as per NZBC E2/AS1 (section 9.1.8)

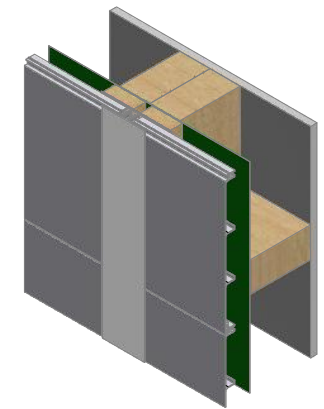
5 MIN 5 MIN

10

Note: Ensure to alternate spacings of fixings for battens and Locator Clips to avoid risk of splitting batten

Interior lining

Double studs behind vertical jointer



ULLTRACLAD®
ALUMINIUM WEATHERBOARDS

ULLTRACLAD ALUMINIUM CO LTD
PO Box 98 843 Manukau City Auckland 2241
118 Wiri Station Road Wiri 2104 New Zealand
TL 09 262 6262 Ext. 814 Mob 021 541 563

www.ulltraclad.co.nz

© ULLRICH ALUMINIUM - All Rights Reserved

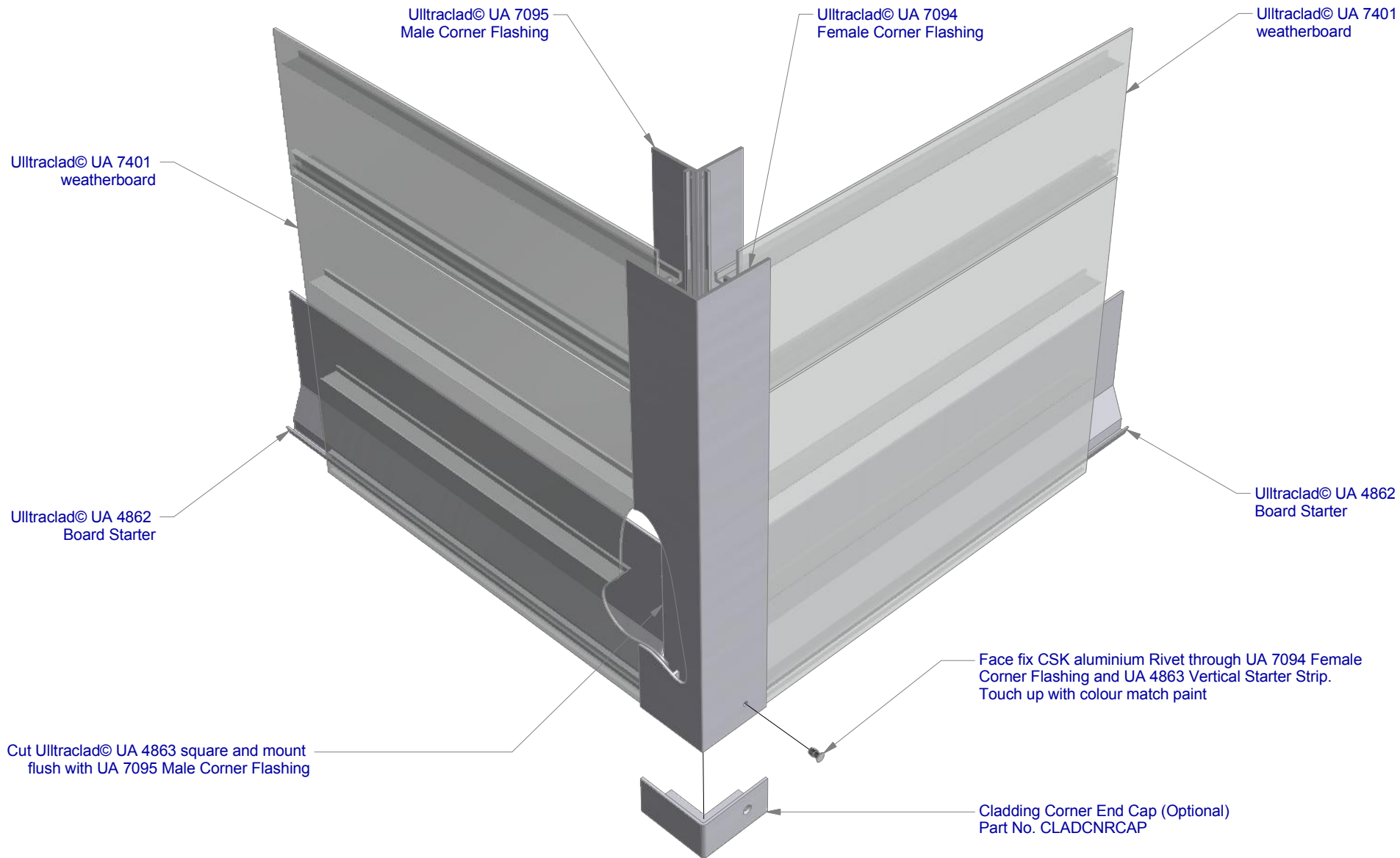
H03

Rev : 10

Horizontal Wall Jointer
UA 7401 INFINITY BOARD

HORIZONTAL CAVITY SYSTEM
Scale: 1 : 2 @ A4 - 2019

Brnz Appraisal #487 2019. (Horizontal)



Ultraclad® UA 7401 weatherboards (horizontal) fixed with Locator Clips fixed at Max 600 mm horizontal centres with 8g x 2" CSK Sq S/S self tapping screws through batten into stud

Cavity batten
Refer V00 Batten Options

Building underlay

Note: Underlay strips to isolate aluminium from treated timber battens
Refer V00

Ultraclad® UA 4862 Board Starter or alternatively use UA 4863 fixed to bottom plate with 50 x 2.5 mm clouts at 600 mm centres

Ultraclad® Cavity Vent Strip
Alternatively use PVC type

Note: 100 mm minimum to permanent paving or 175 mm to unpaved ground to clause 9.1.3 of E2/AS1

Concrete slab or Blockwork

Finished ground level

Interior lining

Bottom plate over DPC

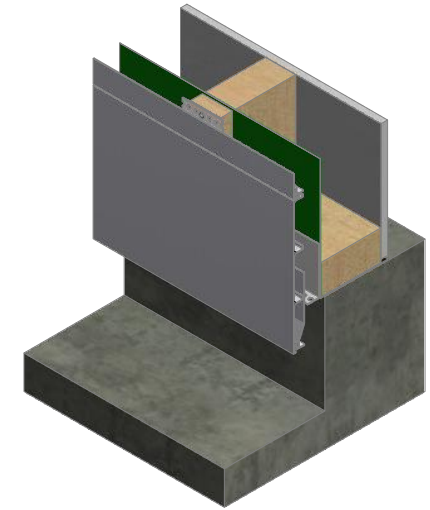
Note: Ensure to alternate spacings of fixings for battens and Locator Clips to avoid risk of splitting batten

10

6 mm overhang (optional)

50

100



ULLTRACLAD[®]
ALUMINIUM WEATHERBOARDS

ULLTRACLAD ALUMINIUM CO LTD
PO Box 98 843 Manukau City Auckland 2241
118 Wiri Station Road Wiri 2104 New Zealand
TL 09 262 6262 Ext. 814 Mob 021 541 563

www.ulltracalad.co.nz

© ULLRICH ALUMINIUM - All Rights Reserved

H05

Rev : 10

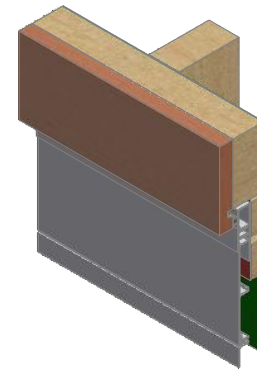
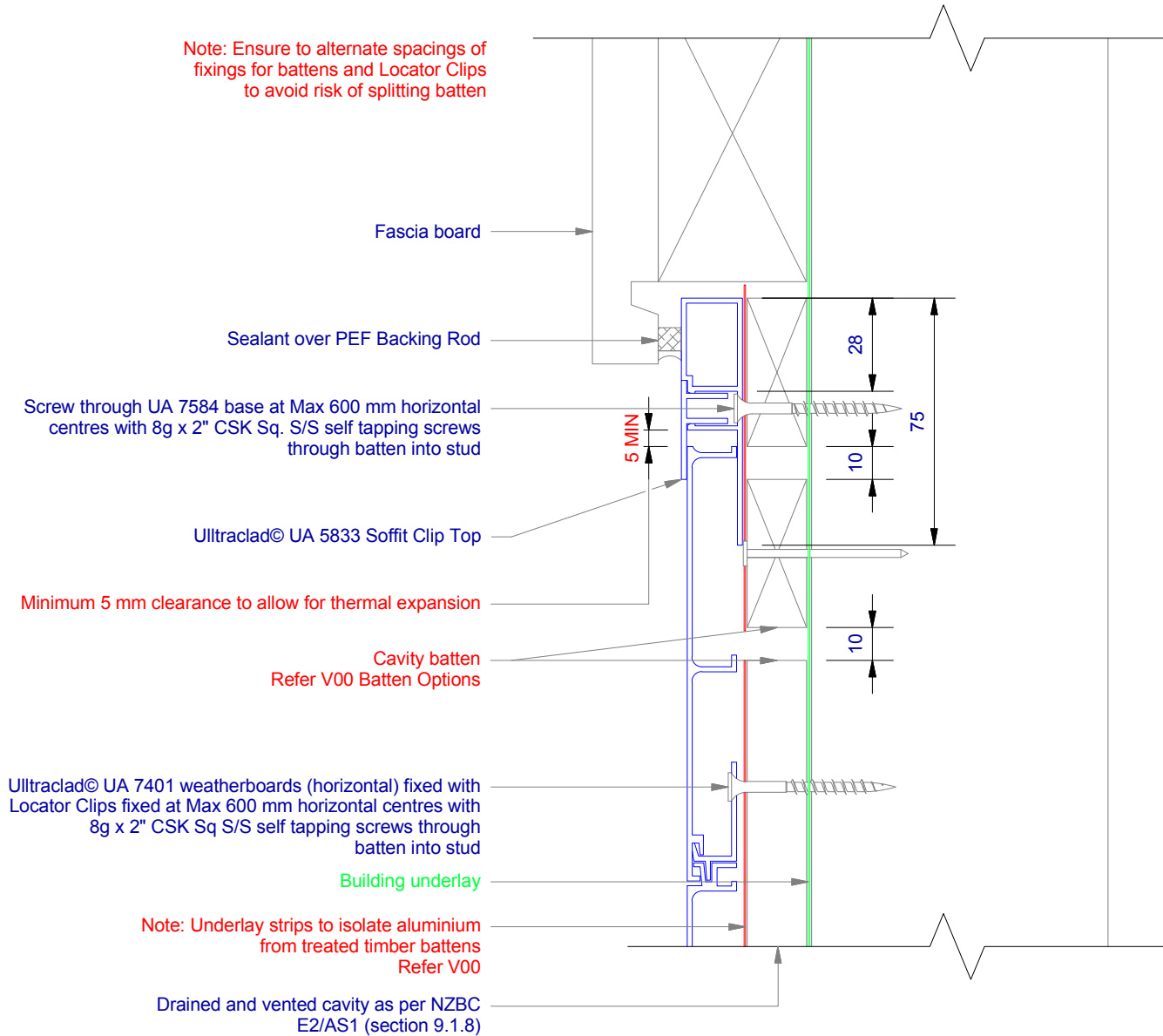
Vertical Wall Starter
UA 7401 INFINITY BOARD

HORIZONTAL CAVITY SYSTEM

Scale: 1 : 2 @ A4 - 2019

Brnz Appraisal #487 2019. (Horizontal)

Note: Ensure to alternate spacings of fixings for battens and Locator Clips to avoid risk of splitting batten



ULLTRACLAD[®]
ALUMINIUM WEATHERBOARDS

ULLTRACLAD ALUMINIUM CO LTD
PO Box 98 843 Manukau City Auckland 2241
118 Wiri Station Road Wiri 2104 New Zealand
TL 09 262 6262 Ext. 814 Mob 021 541 563

www.ulltracalad.co.nz

© ULLRICH ALUMINIUM - All Rights Reserved

H06

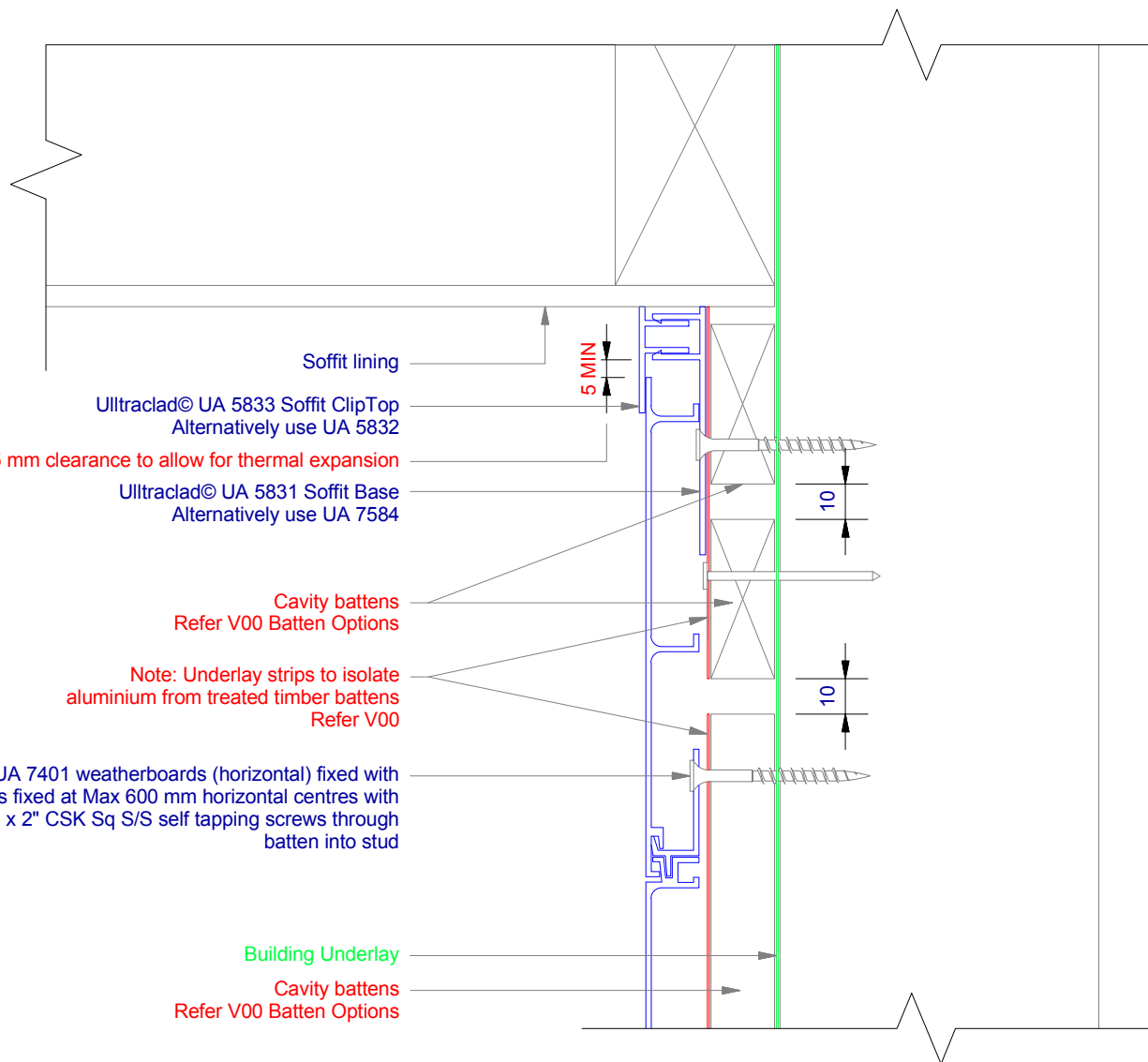
Rev : 10

No Soffit Detail on Cavity
UA 7401 INFINITY BOARD

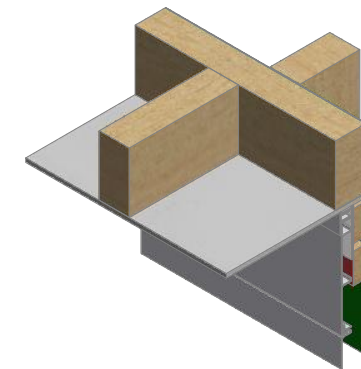
HORIZONTAL CAVITY SYSTEM

Scale: 1 : 2 @ A4 - 2019

Brnz Appraisal #487 2019. (Horizontal)



Note: Ensure to alternate spacings of fixings for battens and Locator Clips to avoid risk of splitting batten



ULLTRACLAD[®]
ALUMINIUM WEATHERBOARDS

ULLTRACLAD ALUMINIUM CO LTD
PO Box 98 843 Manukau City Auckland 2241
118 Wiri Station Road Wiri 2104 New Zealand
TL 09 262 6262 Ext. 814 Mob 021 541 563

www.ulltraclad.co.nz
© ULLRICH ALUMINIUM - All Rights Reserved

H07

Rev : 10

Soffit Detail on Cavity
UA 7401 INFINITY BOARD

HORIZONTAL CAVITY SYSTEM
Scale: 1 : 2 @ A4 - 2019

Brnz Appraisal #487 2019. (Horizontal)

Ultraclad® UA 7401 weatherboard (horizontal)

Building Underlay

Timber floor structure in accordance with NZS 3604: 2011

Ultraclad® UA 7401 weatherboards (horizontal) fixed with Locator Clips fixed at Max 600 mm horizontal centres with 8g x 2" CSK Sq S/S self tapping screws through batten into stud

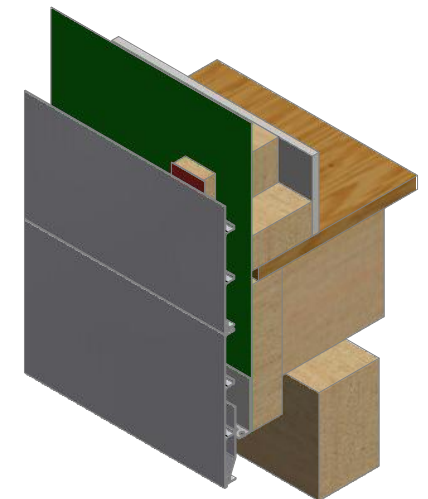
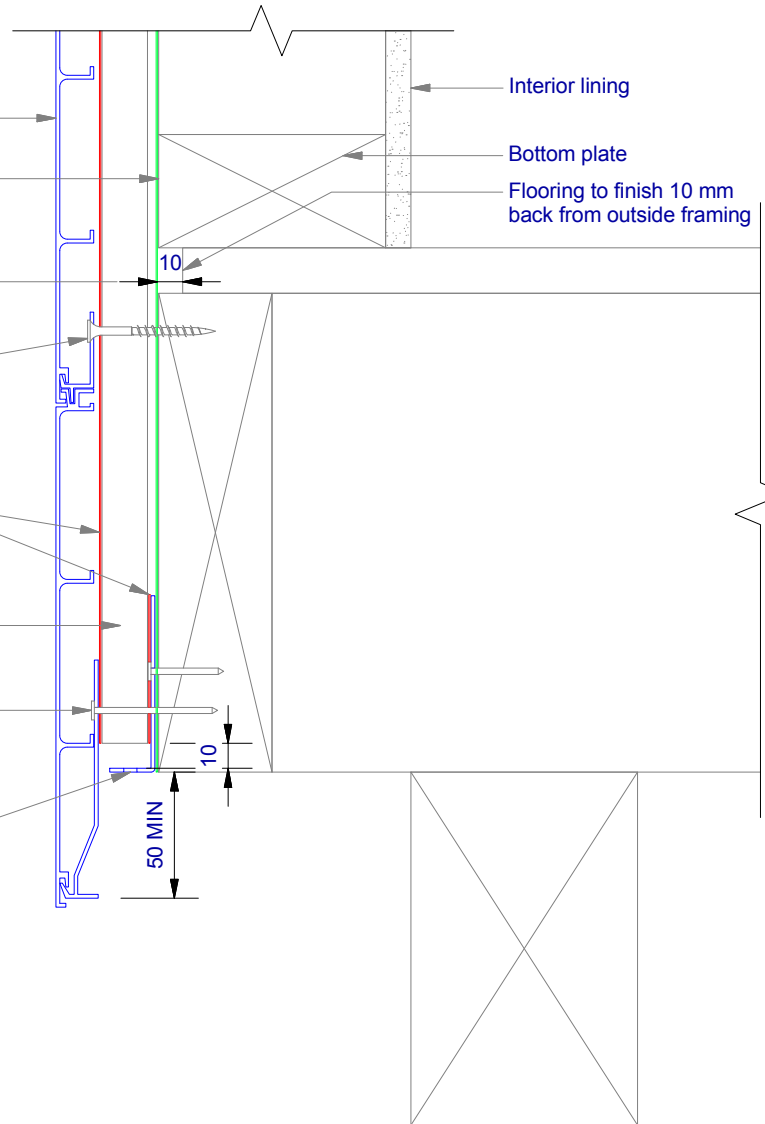
Note: Underlay strips to isolate aluminium from treated timber battens Refer V00

Cavity batten Refer V00 Batten Options

Ultraclad® UA 4862 Board Starter or alternatively use UA 4863 fixed to joist with 50 x 2.5 mm clouts at 600 mm centres

Ultraclad® Cavity Vent Strip Alternatively use PVC type

Note: Ensure to alternate spacings of fixings for battens and Locator Clips to avoid risk of splitting batten



ULLTRACLAD[®]
ALUMINIUM WEATHERBOARDS

ULLTRACLAD ALUMINIUM CO LTD
PO Box 98 843 Manukau City Auckland 2241
118 Wiri Station Road Wiri 2104 New Zealand
TL 09 262 6262 Ext. 814 Mob 021 541 563
www.ulltraclad.co.nz
© ULLRICH ALUMINIUM - All Rights Reserved

H08

Rev : 10

Timber Floor on Cavity
UA 7401 INFINITY BOARD

HORIZONTAL CAVITY SYSTEM
Scale: 1 : 3 @ A4 - 2019

Brnz Appraisal #487 2019. (Horizontal)

Ultraclad® UA 7401 weatherboards (horizontal) fixed with Locator Clips fixed at Max 600 mm horizontal centres with 8g x 2" CSK Sq S/S self tapping screws through batten into stud

Building underlay continuous behind head flashing and into opening

Flashing Tape

Cavity batten
Refer V00 Batten Options

Note: Underlay strips to isolate aluminium from treated timber battens
Refer V00

Batten may require machining to allow for the thickness of Flashings & Tapes

Ultraclad® Cavity Vent Strip
Alternatively use PVC

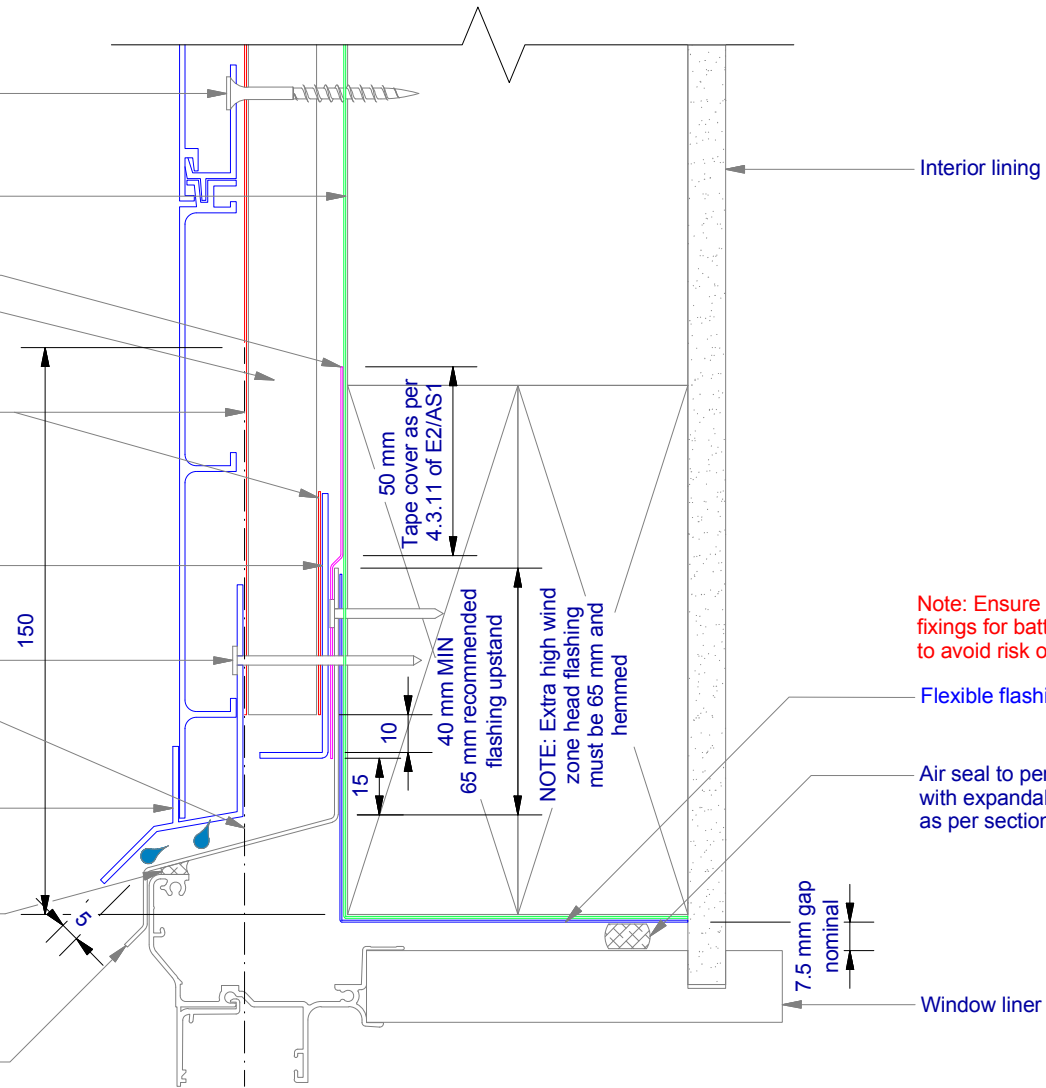
Fixed to lintel at 600 mm centres with 50 x 2.5 mm stainless steel clout

Vertical track flashing 0.9 mm folded aluminium flashing (hemmed) 150 mm above window head or inter-storey.
Alternatively use Dynex Dynafash

Ultraclad® UA 4533 Head Starter 5 mm diameter drainage holes drilled through base of Head Starter at 300 mm centres

Sealant between head flashing and window flange in Very High Wind Zone and above reference figure 71 (c), E2/AS1

Window head flashing (15° slope) folded stop end. (Note: not supplied with Ultraclad® system - contractor to supply as additional flashing)

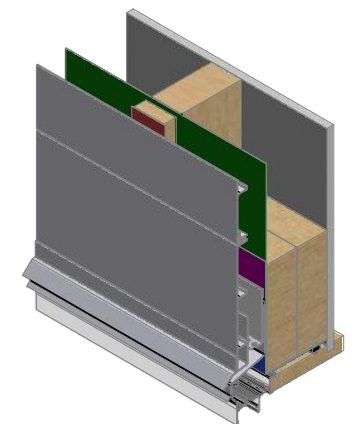


Note: Ensure to alternate spacings of fixings for battens and Locator Clips to avoid risk of splitting batten

Flexible flashing tape at corners

Air seal to perimeter of trim cavity with expandable foam or sealant as per section 9.1.6 of E2/AS1

7.5 mm gap nominal
Window liner



ULLTRACLAD[®]
ALUMINIUM WEATHERBOARDS

ULLTRACLAD ALUMINIUM CO LTD
PO Box 98 843 Manukau City Auckland 2241
118 Wiri Station Road Wiri 2104 New Zealand
TL 09 262 6262 Ext. 814 Mob 021 541 563

www.ulltraclad.co.nz

© ULLRICH ALUMINIUM - All Rights Reserved

H09

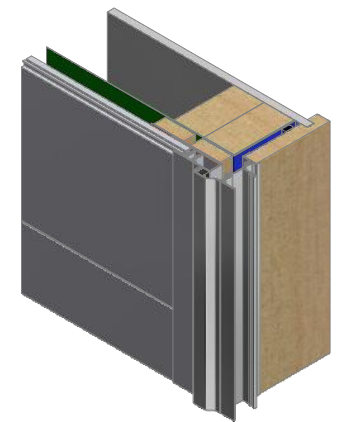
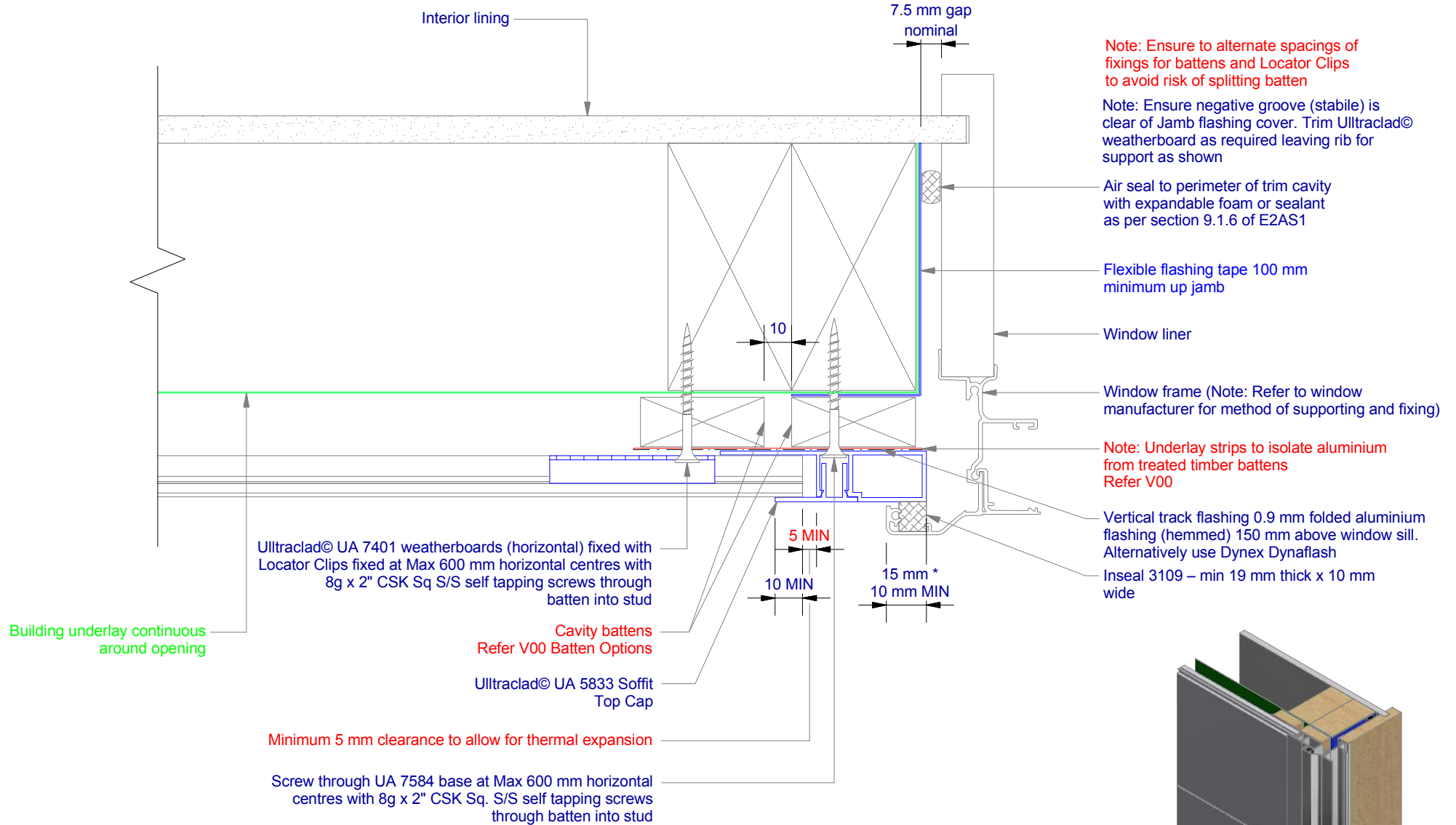
Rev : 10

Window Head on Cavity
UA 7401 INFINITY BOARD

HORIZONTAL CAVITY SYSTEM

Scale: 1 : 2 @ A4 - 2019

Brnz Appraisal #487 2019. (Horizontal)



Window frame (Note: Refer to window manufacturer for method of supporting and fixing)

Window support bar for window openings wider than 600 mm. Support bar to comply with E2/AS1 9.1.10.5(v)

Ultraclad® UA 5833 Soffit Top Cap clipped into UA 7584 mitred in corners to join with Jamb Alternatively use UA 5832

Note: Ensure to alternate spacings of fixings for battens and Locator Clips to avoid risk of splitting batten

Minimum 5 mm clearance to allow for thermal expansion

Vertical track flashing 0.9 mm folded aluminium flashing (hemmed) 150 mm above window sill. Alternatively use Dynex Dynafash

Note: Underlay strips to isolate aluminium from treated timber battens Refer V00

Ultraclad® UA 7401 weatherboards (horizontal) fixed with Locator Clips fixed at Max 600 mm horizontal centres with 8g x 2" CSK Sq S/S self tapping screws through batten into stud

Building underlay continuous around opening

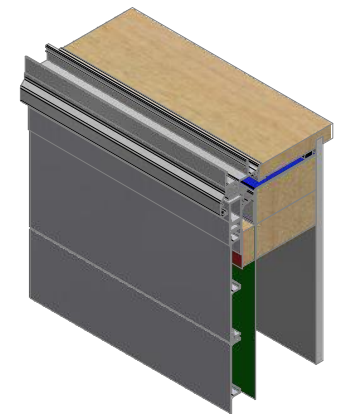
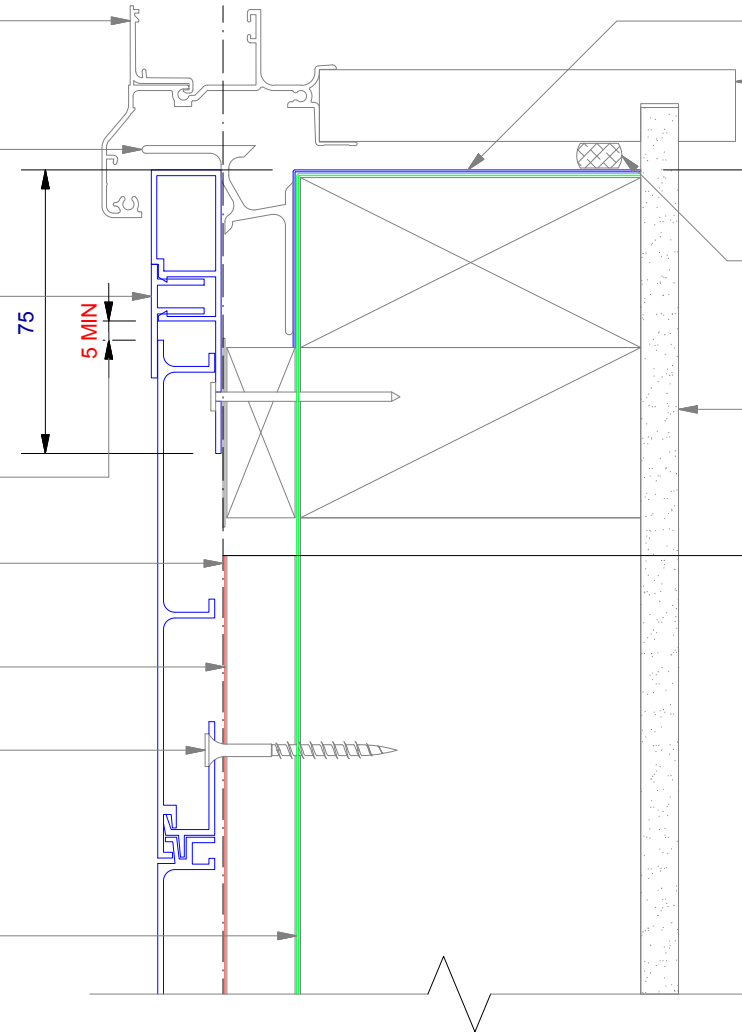
Flexible flashing tape along entire sill. 100 mm up each Jamb and 50 mm onto surface of building underlay

Window liner

7.5 mm gap nominal

Air seal to perimeter of trim cavity with expandable foam or sealant as per section 9.1.6 of E2/AS1

Interior lining



ULLTRACLAD®
ALUMINIUM WEATHERBOARDS

ULLTRACLAD ALUMINIUM CO LTD
PO Box 98 843 Manukau City Auckland 2241
118 Wiri Station Road Wiri 2104 New Zealand
TL 09 262 6262 Ext. 814 Mob 021 541 563

www.ulltracalad.co.nz

© ULLRICH ALUMINIUM - All Rights Reserved

H11

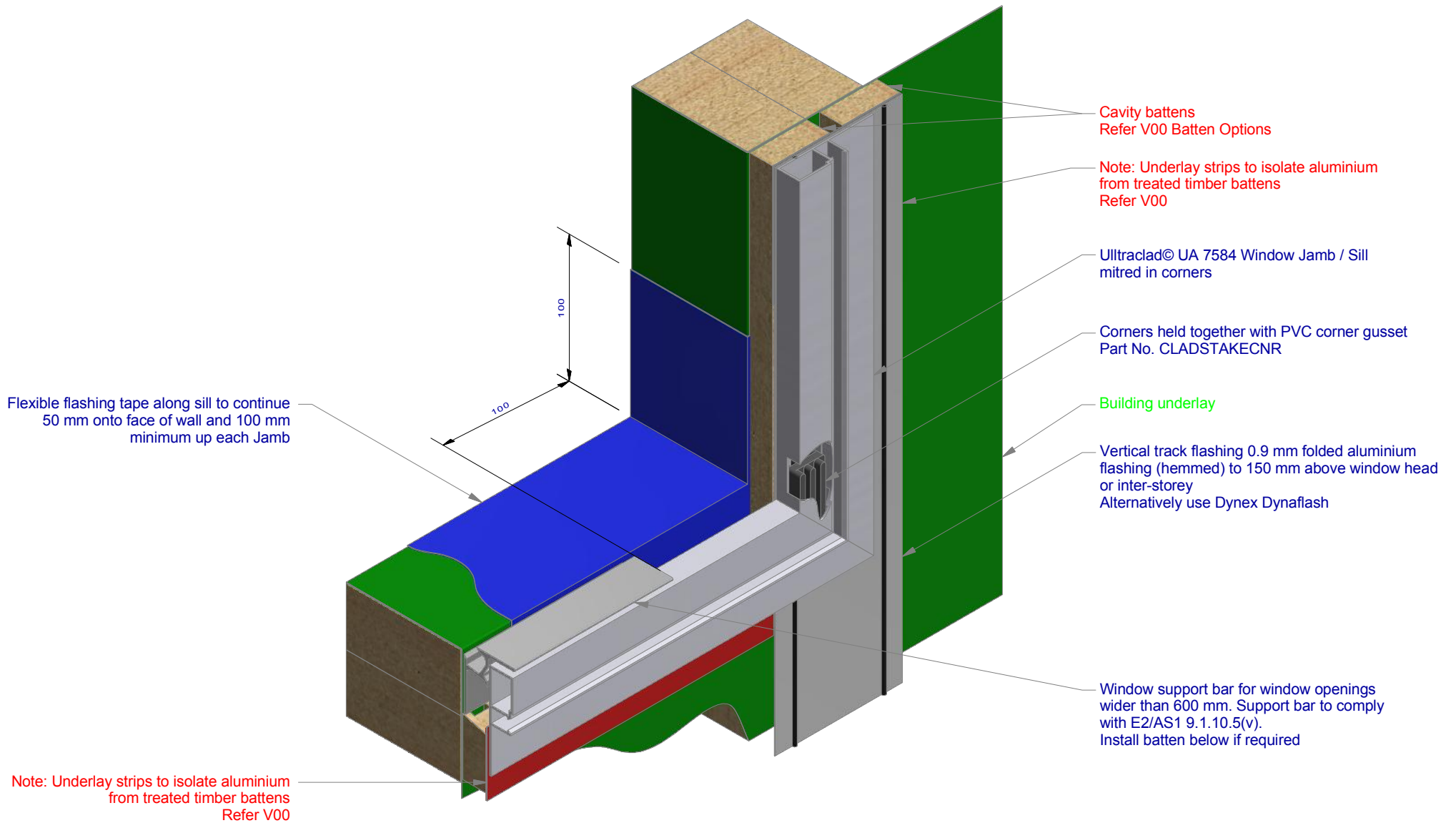
Rev : 10

Window Sill on Cavity
UA 7401 INFINITY BOARD

HORIZONTAL CAVITY SYSTEM

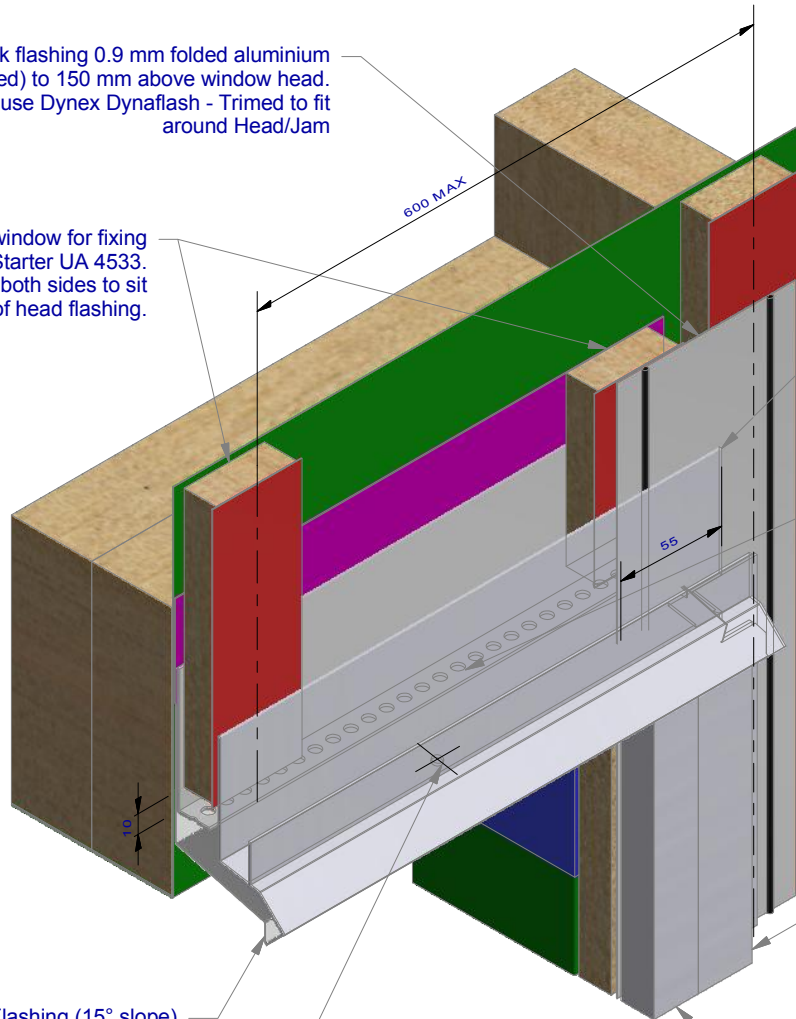
Scale: 1 : 2 @ A4 - 2019

Branz Appraisal #487 2019. (Horizontal)



Vertical track flashing 0.9 mm folded aluminium flashing (hemmed) to 150 mm above window head. Alternatively use Dynex Dynafash - Trimed to fit around Head/Jam

Battens above window for fixing window head Starter UA 4533. Outer batten both sides to sit inside stope of head flashing.



Ultraclad® UA 4533 Head Starter

Ultraclad® Cavity Vent Strip Alternatively use PVC

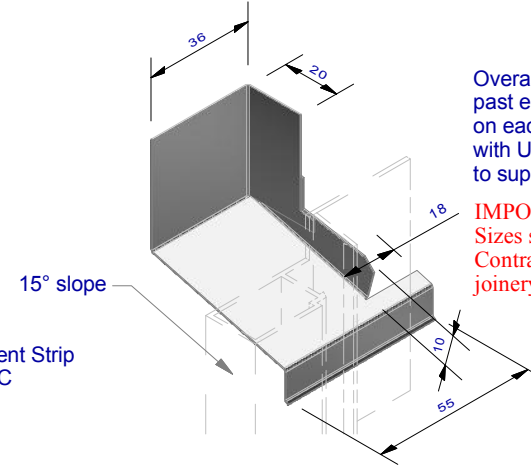
Ultraclad® UA 5833 Soffit Clip Top. To finish flush with window head flashing and starter

Ultraclad® UA 7584 Jamb Flashing

Window Head Flashing (15° slope) folded stop end. (Note: not supplied with Ultraclad® system - contractor to supply as additional flashing)

Ultraclad® UA 4533 Head Starter 5 mm diameter drainage holes drilled through base of Head Starter at 300 mm centres

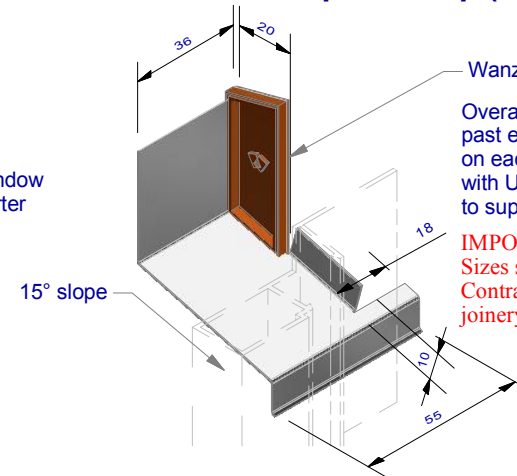
Window Head Flashing Option 1 Cut & Fold Stop End (1 : 2)



Overall Head Flashing length = +40 mm past edge of window and door joinery on each side. (Note: not supplied with Ultraclad® system - contractor to supply as additional flashing)

IMPORTANT:
Sizes shown are indicative only!
Contractor to confirm onsite as joinery suites may vary.

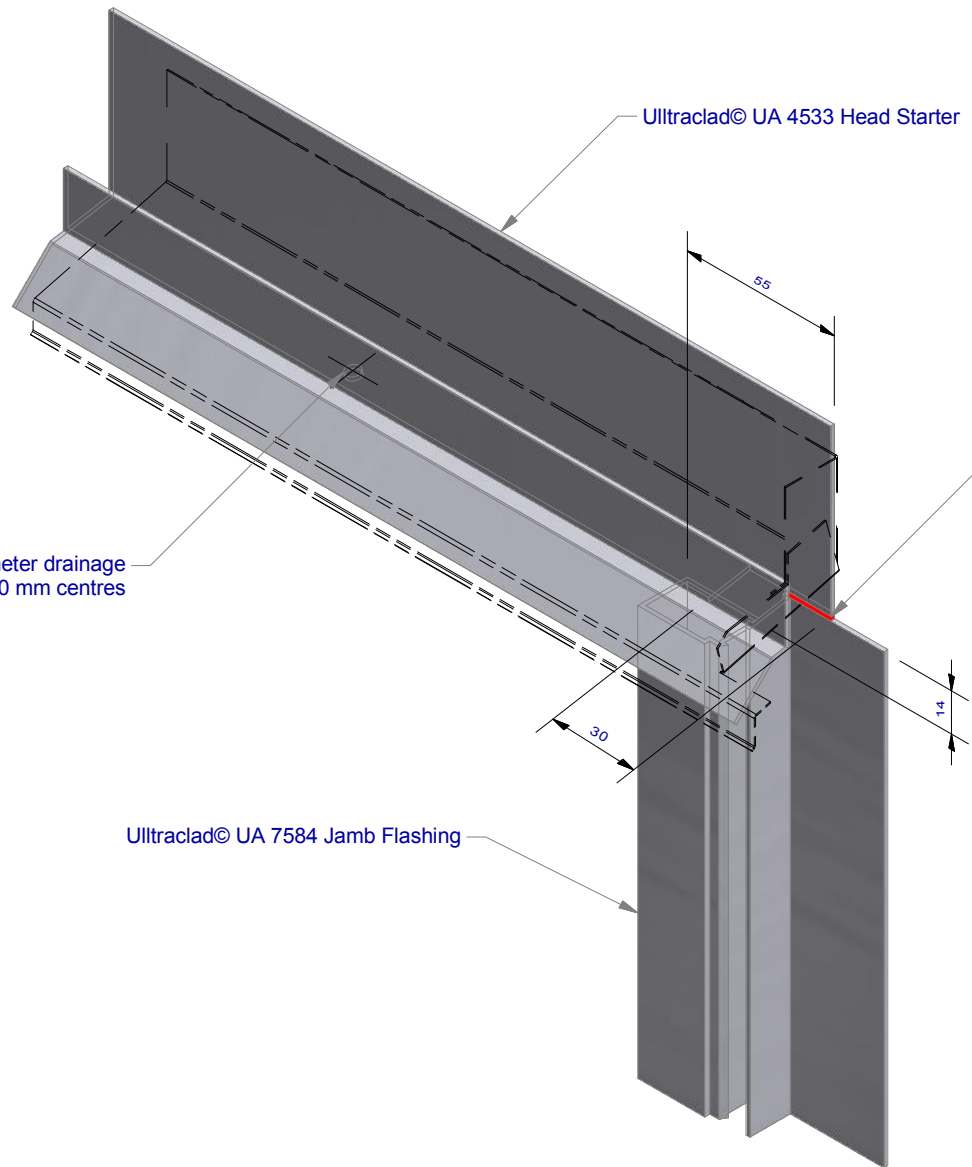
Window Head Flashing Option 2 Wanz Plastic Stop End Cap (1 : 2)



Wanz Plastic Stop End

Overall Head Flashing length = +40 mm past edge of window and door joinery on each side. (Note: not supplied with Ultraclad® system - contractor to supply as additional flashing)

IMPORTANT:
Sizes shown are indicative only!
Contractor to confirm onsite as joinery suites may vary.



IMPORTANT:
 Sizes shown are indicative only!
 Contractor to confirm onsite as
 joinery suites may vary.

Applying sealant before fitting UA 4533
 sealant at facade

Note: Ulltraclad® UA 4533 Head Starter to extend
 40 mm past edge of window or door joinery.
 Building underlay, flashing tape and UA 5833
 omitted for clarity

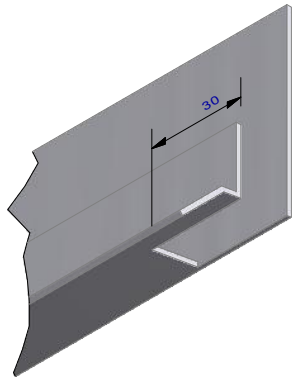
Ulltraclad® UA 4533 Head Starter 5 mm diameter drainage
 holes drilled through base of Head Starter at 300 mm centres

Ulltraclad® UA 7584 Jamb Flashing

Ultraclad® UA 4533 Head Starter 5 mm diameter drainage holes drilled through base of Head Starter at 300 mm centres

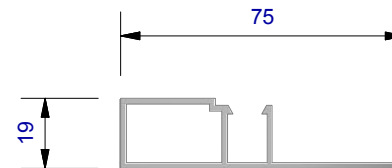
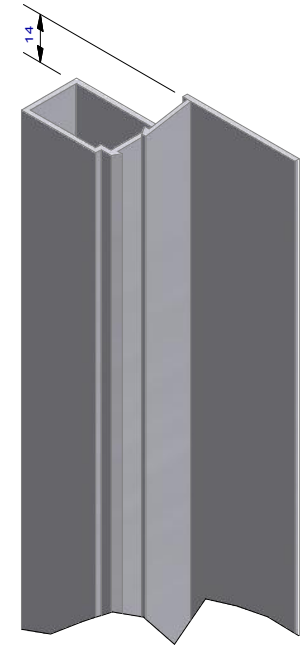


IMPORTANT:
 Sizes shown are indicative only!
 Contractor to confirm onsite as
 joinery suites may vary



Ultraclad® UA 4533
 Head Starter

Ultraclad® UA 7584
 Jamb Flashing



ULLTRA CLAD®
 ALUMINIUM WEATHERBOARDS

ULLTRA CLAD ALUMINIUM CO LTD
 PO Box 98 843 Manukau City Auckland 2241
 118 Wiri Station Road Wiri 2104 New Zealand
 TL 09 262 6262 Ext. 814 Mob 021 541 563
 www.ulltraclad.co.nz
 © ULLRICH ALUMINIUM - All Rights Reserved

H15

Rev : 10

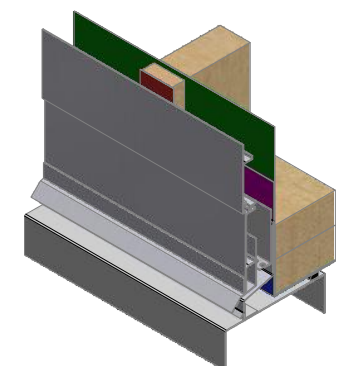
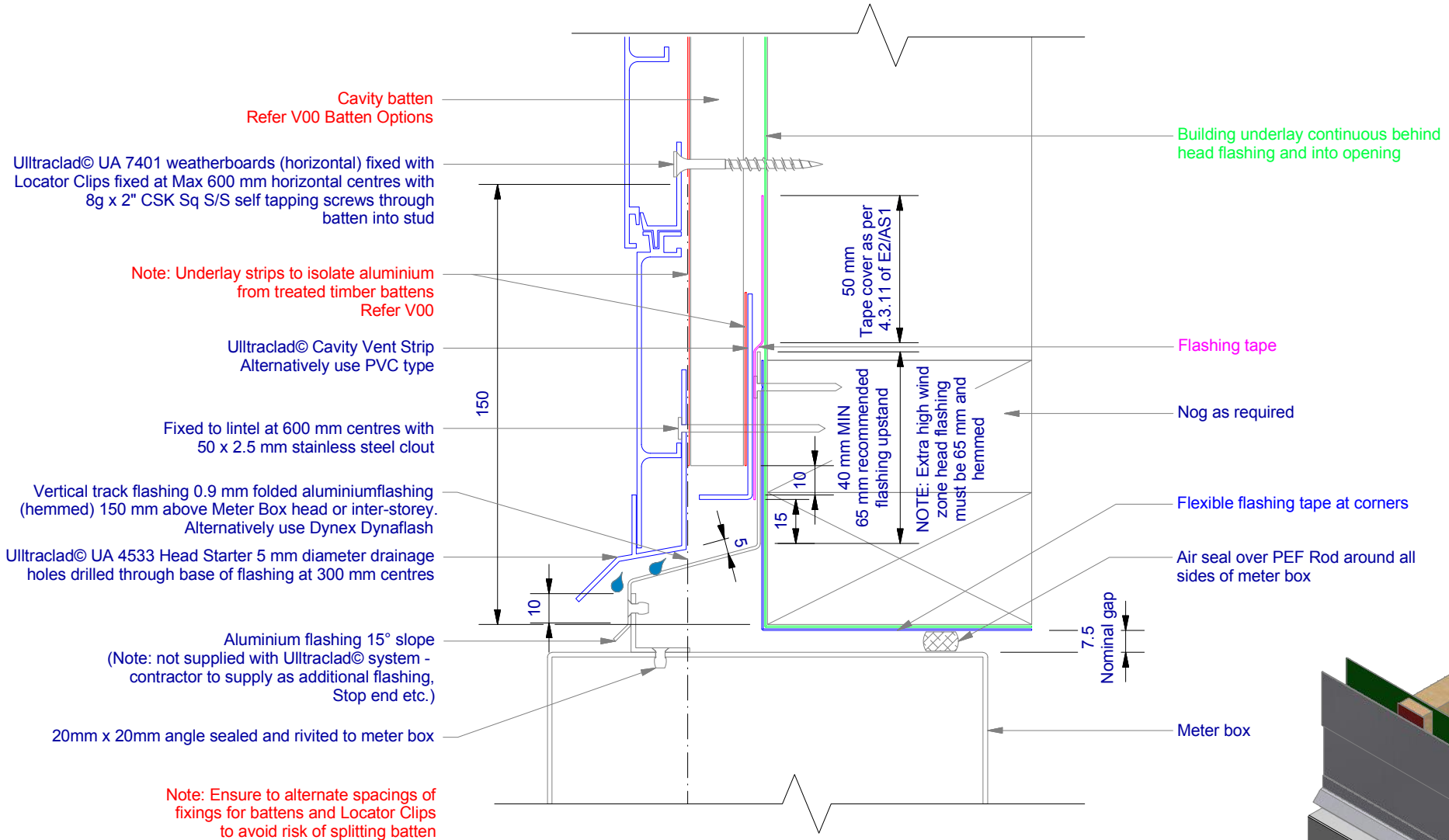
Head - Jamb Notching Details

UA 7401 INFINITY BOARD

HORIZONTAL CAVITY SYSTEM

Scale: 1 : 2 @ A4 - 2019

Branz Appraisal #487 2019. (Horizontal)



Vertical track flashing 0.9 mm folded aluminium flashing (hemmed) 150 mm above Meter Box Head.
Alternatively use Dynex Dynaflash

Screw through UA 7584 base and fixed to framing with 8g x 2" CSK Sq. S/S self tapping screws

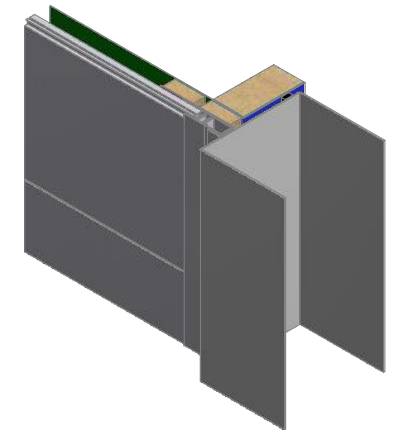
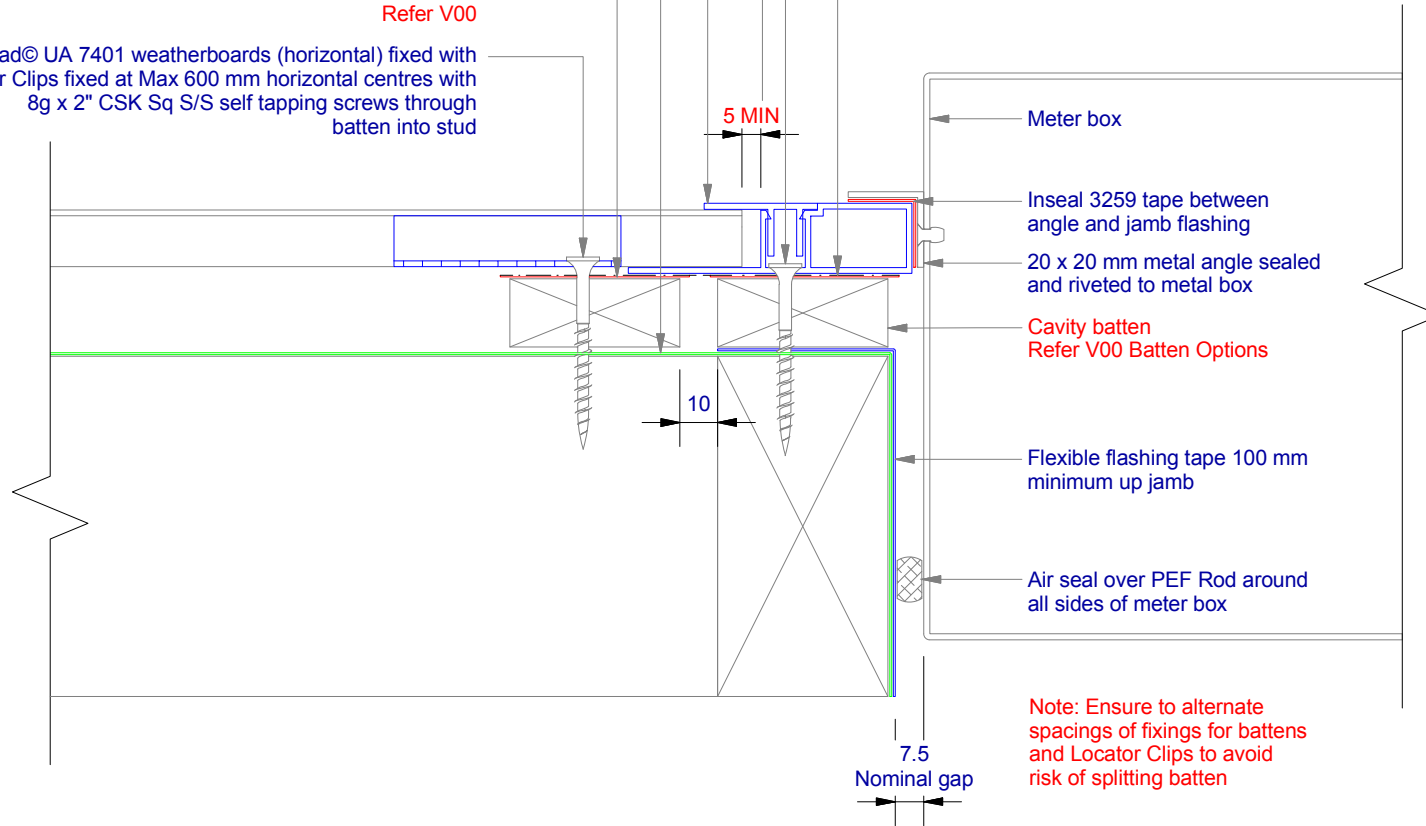
Minimum 5 mm clearance to allow for thermal expansion

Ulltraclad® UA 5833 Soffit Clip Top

Building underlay continuous around opening

Note: Underlay strips to isolate aluminium from treated timber battens
Refer V00

Ulltraclad® UA 7401 weatherboards (horizontal) fixed with Locator Clips fixed at Max 600 mm horizontal centres with 8g x 2" CSK Sq S/S self tapping screws through batten into stud



ULLTRACLAD®
ALUMINIUM WEATHERBOARDS

ULLTRACLAD ALUMINIUM CO LTD
PO Box 98 843 Manukau City Auckland 2241
118 Wiri Station Road Wiri 2104 New Zealand
TL 09 262 6262 Ext. 814 Mob 021 541 563

www.ulltraclad.co.nz

© ULLRICH ALUMINIUM - All Rights Reserved

H17

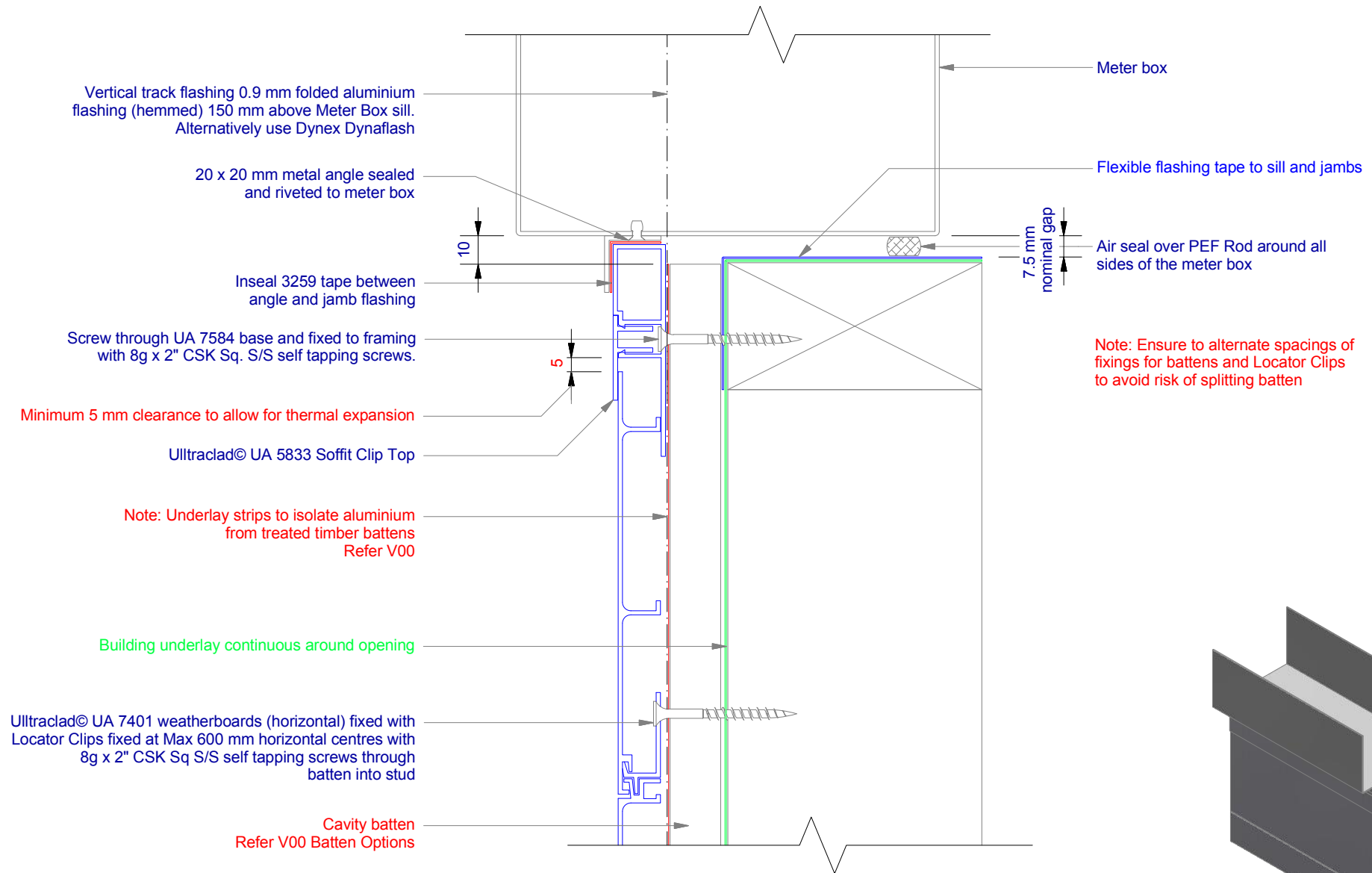
Rev : 10

Meter Box Jamb on Cavity
UA 7401 INFINITY BOARD

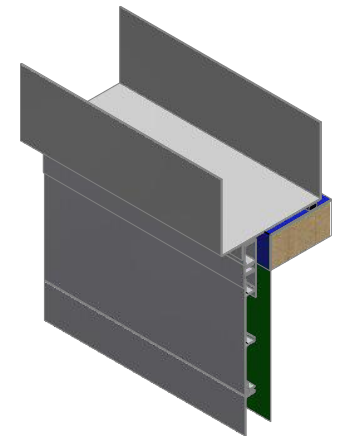
HORIZONTAL CAVITY SYSTEM

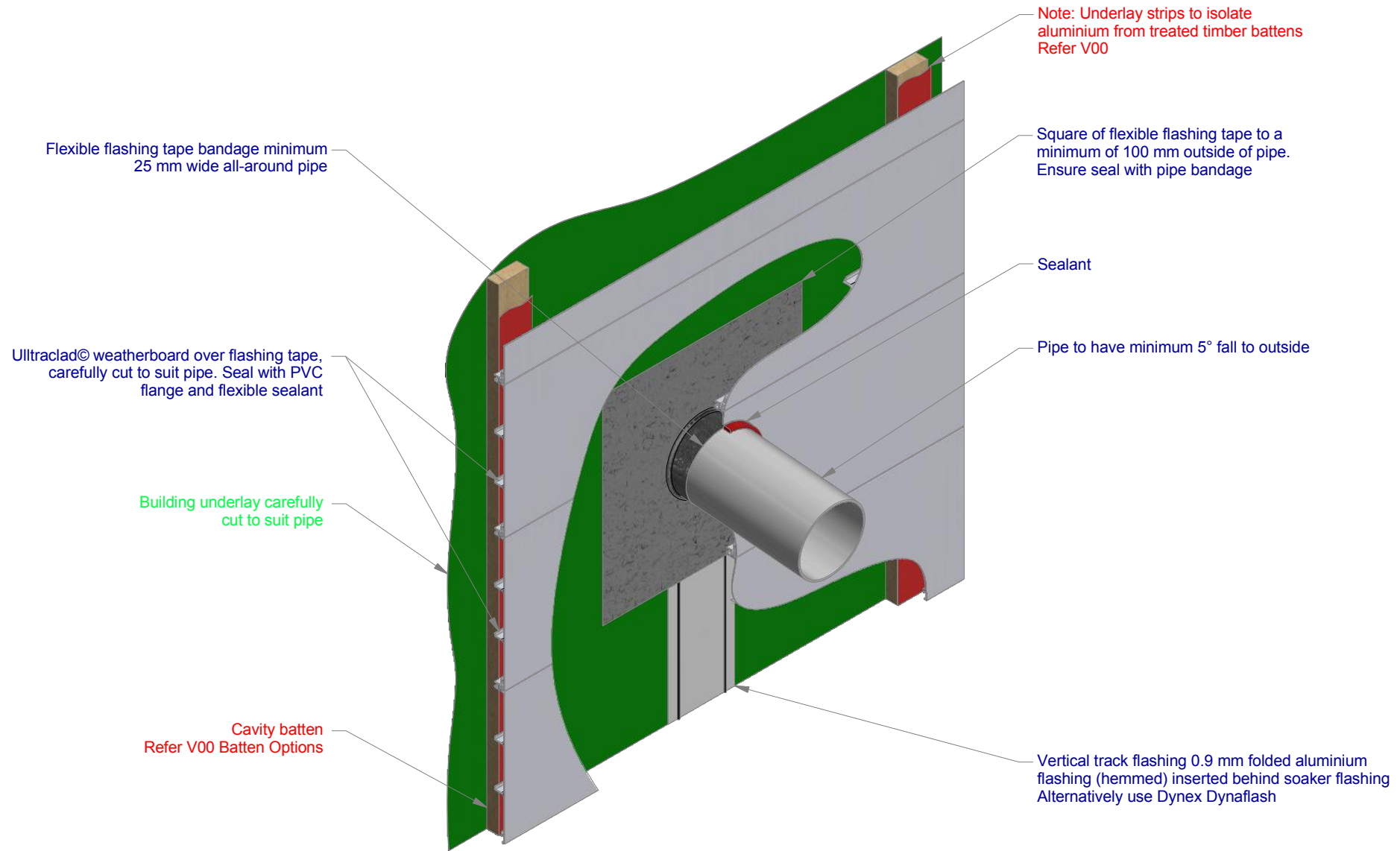
Scale: 1 : 2 @ A4 - 2019

Branz Appraisal #487 2019. (Horizontal)



Note: Ensure to alternate spacings of fixings for battens and Locator Clips to avoid risk of splitting batten





Ultraclad® UA 7104 weatherboards (horizontal) fixed with Locator Clips fixed at Max 600 mm horizontal centres with 8g x 2" CSK Sq S/S self tapping screws through batten into stud

Building underlay over apron flashing

Cavity batten
Refer V00 Batten Options
Note: Underlay strips to isolate aluminium from treated timber battens.
Refer V00

Ultraclad® Cavity Vent Strip
Alternatively use PVC type

Ultraclad® UA 4863 Vertical Starter alternatively use UA 4862. 5 mm diameter drainage hole drilled through base of Vertical Starter at 300 mm centres

Apron flashing with 75 mm up stand cover behind cladding
Turn-down to suit roofing profile

Note: Ensure to alternate spacings of fixings for battens and Locator Clips to avoid risk of splitting batten

Nog as required

75 mm MIN cover above bottom of weatherboard

110 MIN Total

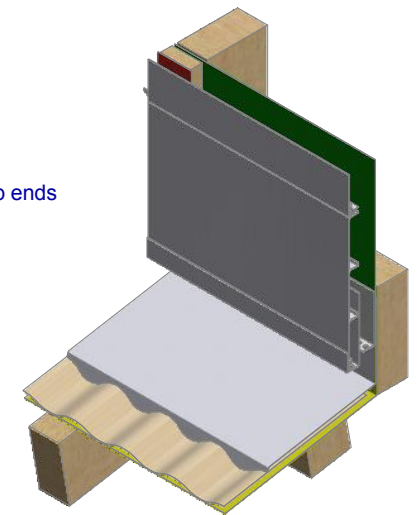
35 MIN clear gap

10

Roofing underlay turned up under flashing

Selected roofing with stop ends

Flashing length See Table 7 E2/AS1



ULLTRACLAD®
ALUMINIUM WEATHERBOARDS

ULLTRACLAD ALUMINIUM CO LTD
PO Box 98 843 Manukau City Auckland 2241
118 Wiri Station Road Wiri 2104 New Zealand
TL 09 262 6262 Ext. 814 Mob 021 541 563
www.ulltracalad.co.nz
© ULLRICH ALUMINIUM - All Rights Reserved

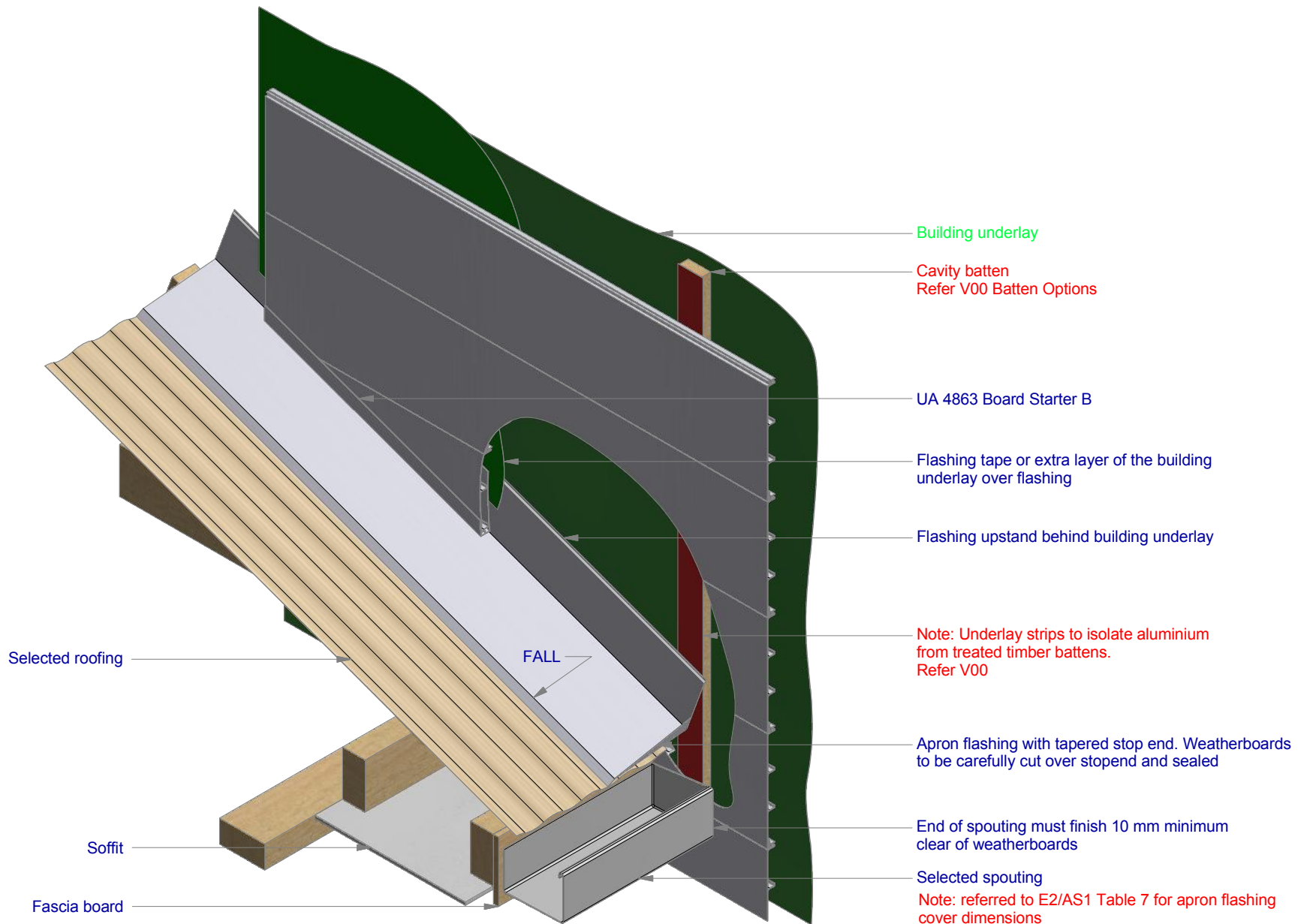
H20

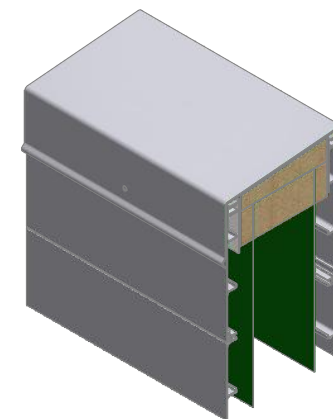
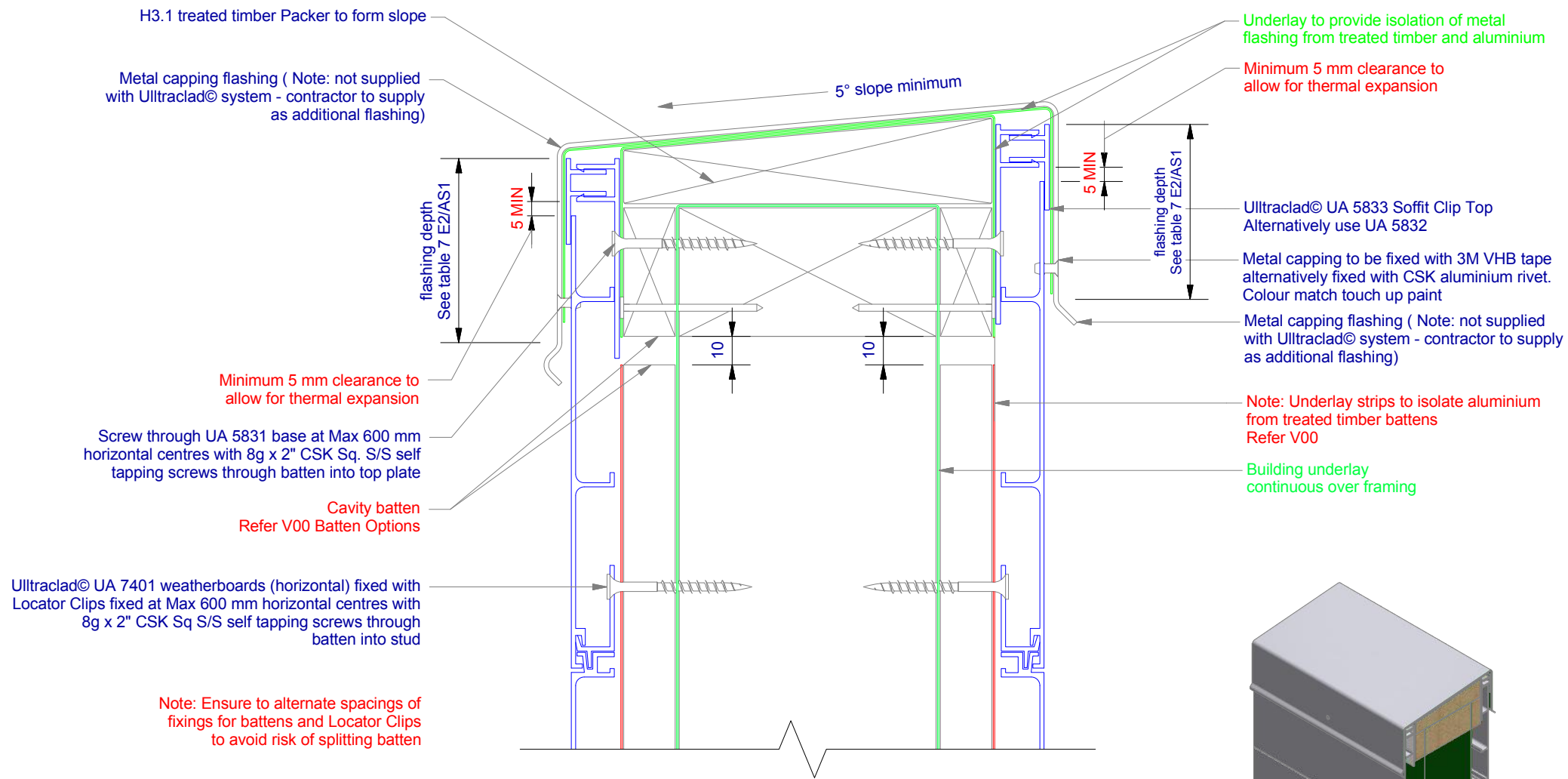
Rev : 10

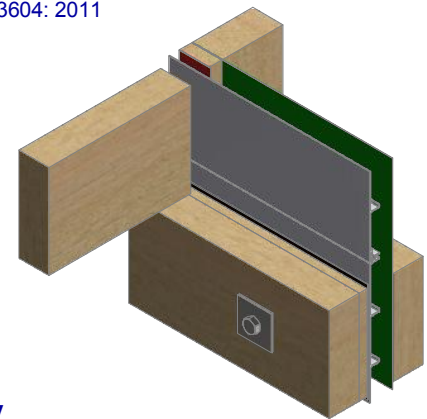
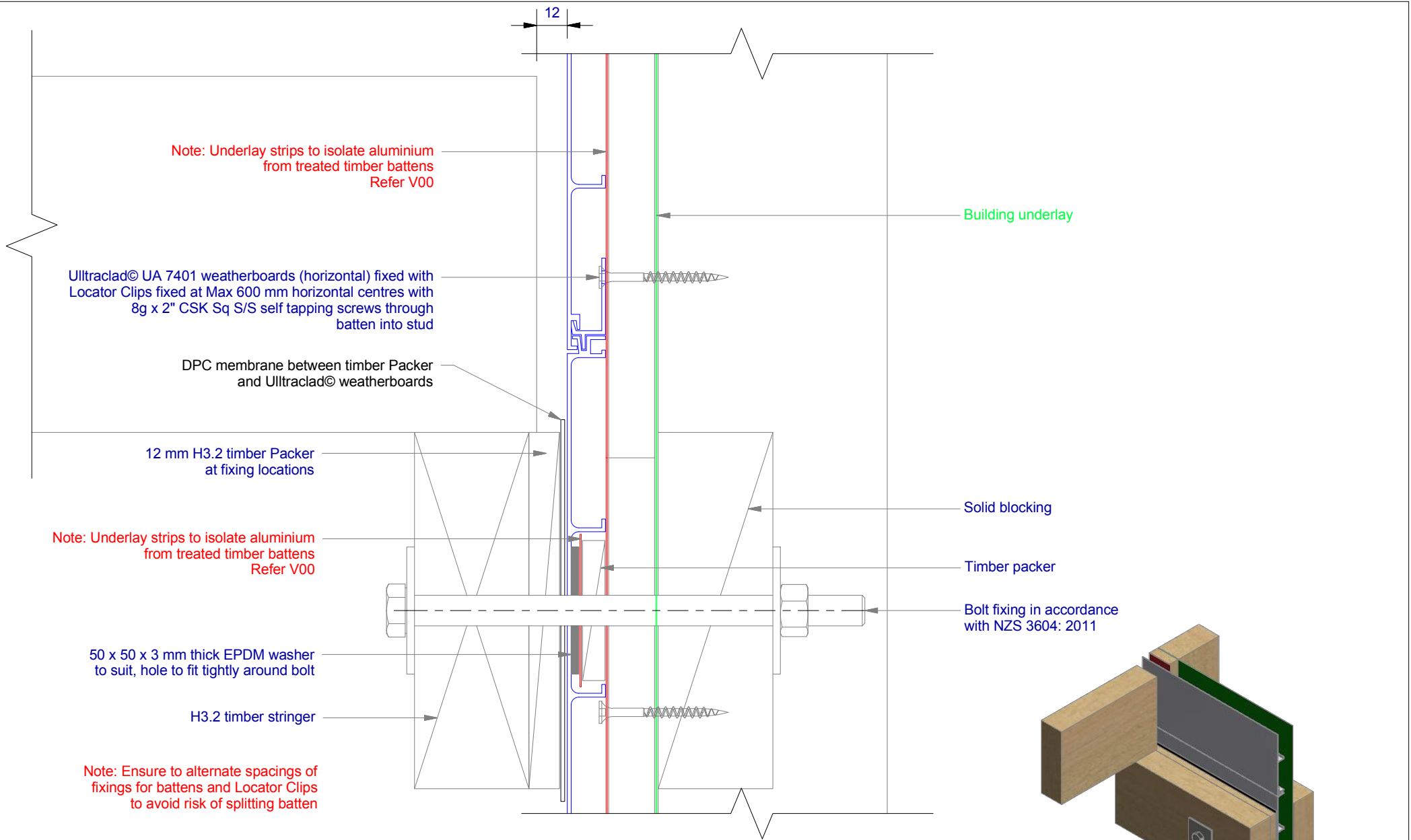
Roof-Wall Junction on Cavity
UA 7401 INFINITY BOARD

HORIZONTAL CAVITY SYSTEM
Scale: 1 : 3 @ A4 - 2019

Brnz Appraisal #487 2019. (Horizontal)







ULLTRACLAD®
ALUMINIUM WEATHERBOARDS

ULLTRACLAD ALUMINIUM CO LTD
PO Box 98 843 Manukau City Auckland 2241
118 Wiri Station Road Wiri 2104 New Zealand
TL 09 262 6262 Ext. 814 Mob 021 541 563

www.ulltraclad.co.nz

© ULLRICH ALUMINIUM - All Rights Reserved

H23

Rev : 10

Deck Junction on Cavity
UA 7401 INFINITY BOARD

HORIZONTAL CAVITY SYSTEM

Scale: 1 : 2 @ A4 - 2019

Brnz Appraisal #487 2019. (Horizontal)

Note: Ensure to alternate spacings of fixings for battens and Locator Clips to avoid risk of splitting batten

Ultracalad® UA 7401 weatherboards (horizontal) fixed with Locator Clips fixed at Max 600 mm horizontal centres with 8g x 2" CSK Sq S/S self tapping screws through batten into stud

Building underlay

Note: Underlay strips to isolate aluminium from treated timber battens Refer V00

Flashing tape

Ultracalad® UA 4862 Board Starter or alternatively use UA 4863 fixed to bottom plate with 50 x 2.5 mm clouts at 600 mm centres

Ultracalad® UA 7919 Inter-Storey Flashing

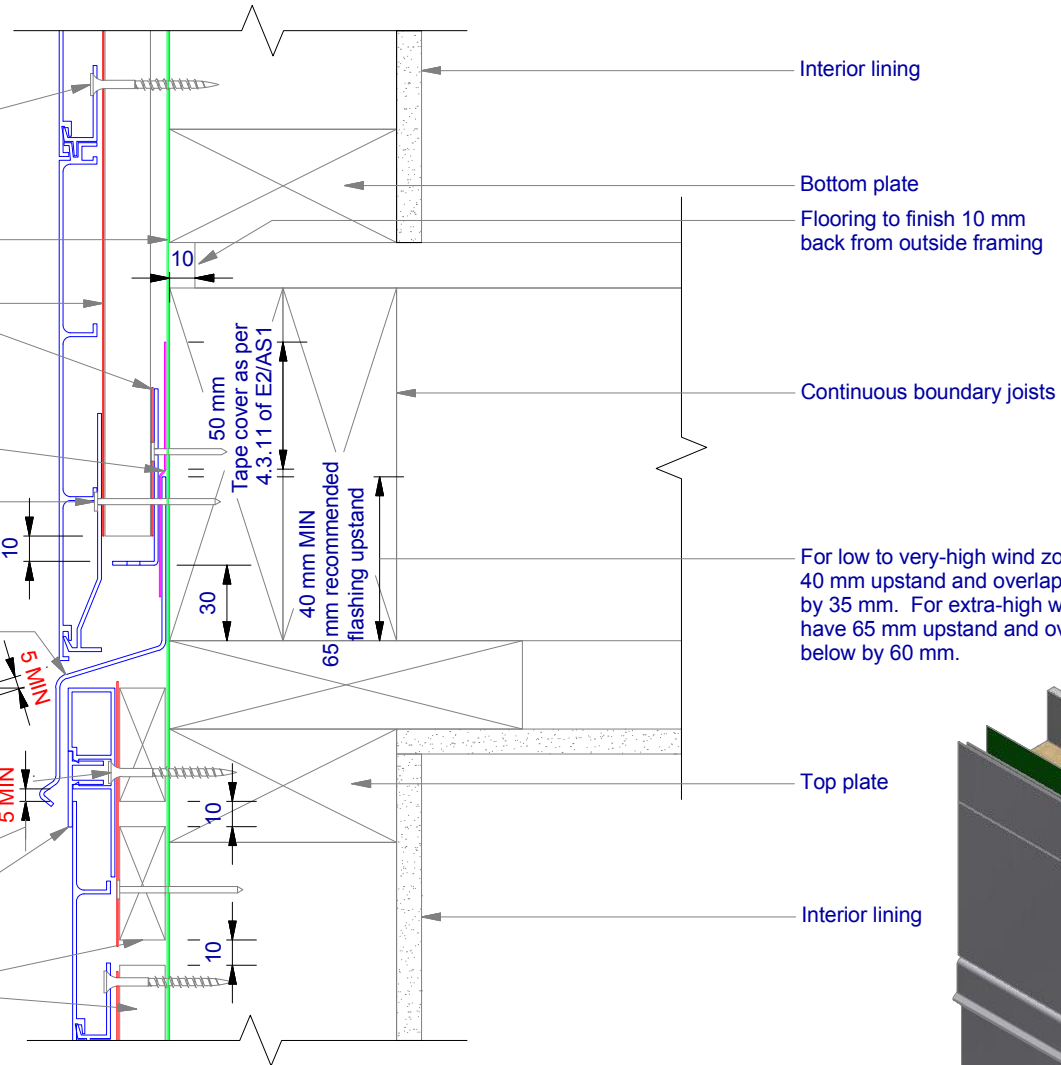
Screw through UA 7584 base at Max 600 mm horizontal centres with 8g x 2" CSK Sq. S/S self tapping screws through batten into frame

Minimum 5 mm clearance to allow for thermal expansion

Ultracalad® UA 5833 Soffit Clip Top Alternatively use UA 5832

Cavity batten Refer V00 Batten Options

Note: this detail is required to limit cavities to 2 storeys or 7 m Max - Refer E2/AS1 clause 9.1.9.4



Interior lining

Bottom plate

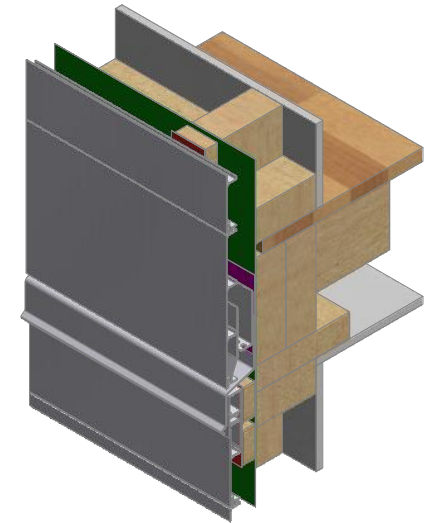
Flooring to finish 10 mm back from outside framing

Continuous boundary joists

For low to very-high wind zones the 'Z' flashing must have a 40 mm upstand and overlap the weatherboard face below by 35 mm. For extra-high wind zones the 'Z' flashing must have 65 mm upstand and overlap the weatherboard face below by 60 mm.

Top plate

Interior lining



ULLTRACLAD®
ALUMINIUM WEATHERBOARDS

ULLTRACLAD ALUMINIUM CO LTD
PO Box 98 843 Manukau City Auckland 2241
118 Wiri Station Road Wiri 2104 New Zealand
TL 09 262 6262 Ext. 814 Mob 021 541 563

www.ulltracalad.co.nz

© ULLRICH ALUMINIUM - All Rights Reserved

H24

Rev : 10

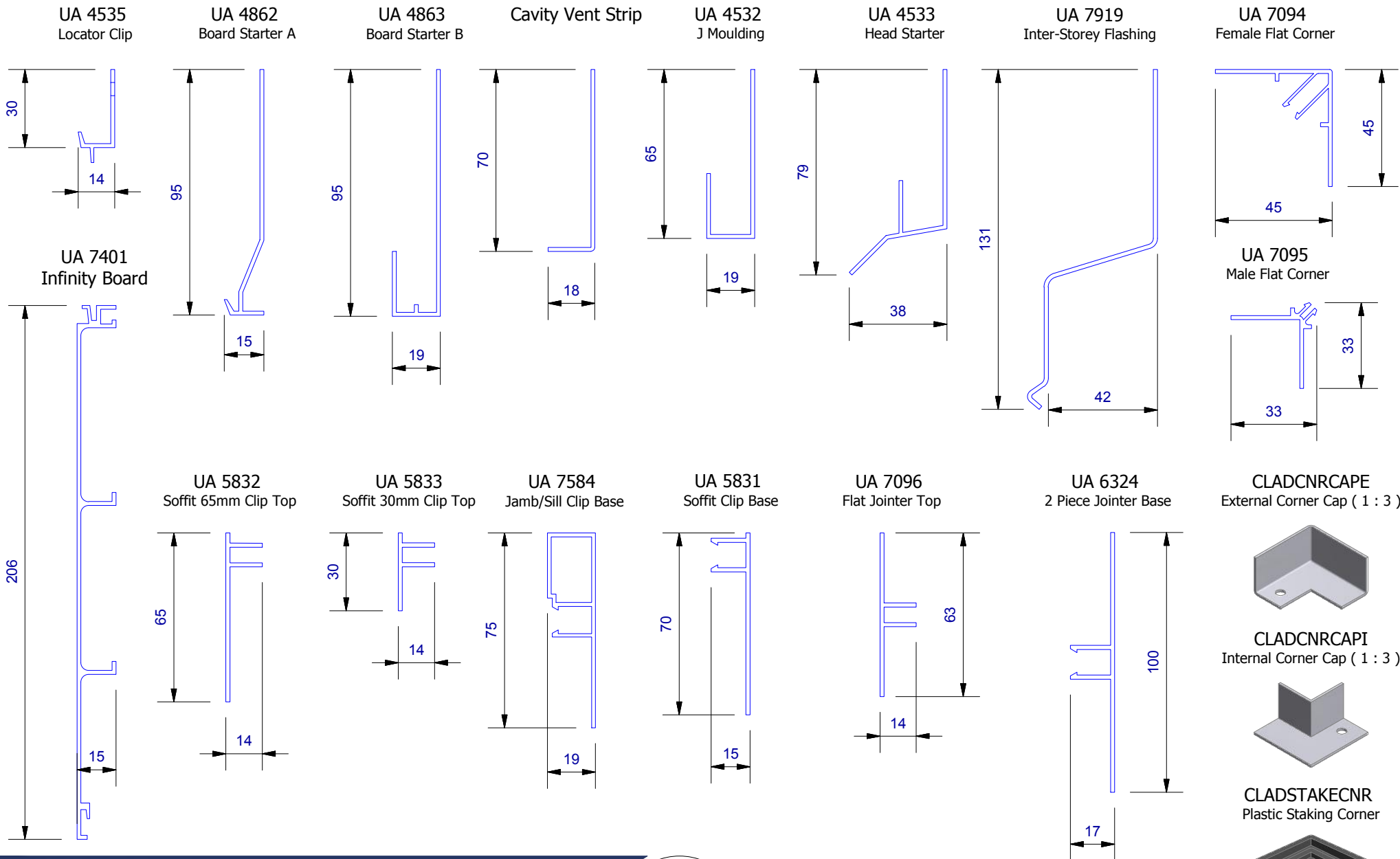
Inter-Storey Junction on Cavity

UA 7401 INFINITY BOARD

HORIZONTAL CAVITY SYSTEM

Scale: 1 : 3 @ A4 - 2019

Brnz Appraisal #487 2019. (Horizontal)



ULLTRACLAD[®]
ALUMINIUM WEATHERBOARDS

ULLTRACLAD ALUMINIUM CO LTD
 PO Box 98 843 Manukau City Auckland 2241
 118 Wiri Station Road Wiri 2104 New Zealand
 TL 09 262 6262 Ext. 814 Mob 021 541 563

www.ulltracalad.co.nz

© ULLRICH ALUMINIUM - All Rights Reserved

H25

Rev : 10

INFINITY PROFILES
UA 7401 INFINITY BOARD

HORIZONTAL CAVITY SYSTEM
 Scale: 1 : 2 @ A4 - 2019

Brnz Appraisal #487 2019. (Horizontal)