

Locator Clip UA 4535

Vertical cavity batten (corners only) fixed with 6g x 1.25" CSK Sq S/S pre-drilled screws through batten into dwang / nog

Clearance hole in board larger than screw gauge to allow for thermal expansion

When ripping boards to custom widths use treated timber Packers with isolation strips to replicate leg support

Minimum 5 mm clearance to allow for thermal expansion

Ulltraclad® UA 7094 Female Corner Flashing

Ulltraclad® UA 7095 Male Corner Flashing fixed to timber battens with 30 x 2.5 mm stainless steel clouts at 600 mm vertical centres

Face fix CSK aluminium Rivet through UA 7094 Female Corner Flashing and UA 6975 weatherboard (vertical). Touch up with colour match paint

Note: Underlay strips to isolate aluminium from treated timber battens Refer V00

Locator Clips fixed at Max 600 mm vertical centres with 8g x 2" CSK Sq S/S self tapping screws through batten into dwang / nog

Building underlay continuous around corner

Cavity batten Refer V00 Batten Options

Note: Ensure to alternate spacings of fixings for battens and Locator Clips to avoid risk of splitting batten

Wall frame

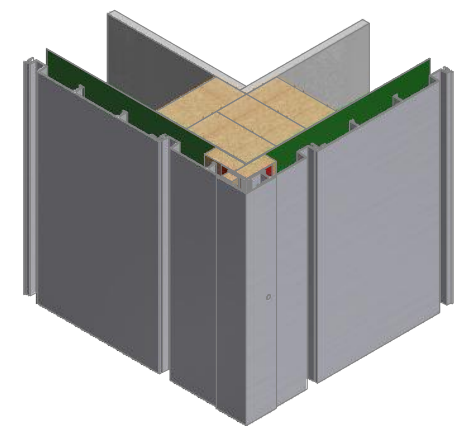
Interior lining

10

10

5 MIN

5 MIN



ULLTRACLAD®
ALUMINIUM WEATHERBOARDS

ULLRICH ALUMINIUM CO LTD
PO Box 98 843 Manukau City Auckland 2241
118 Wiri Station Road Wiri 2104 New Zealand
TL 09 262 6262 Ext. 814 Mob 021 541 563

www.ulltraclad.co.nz

© ULLRICH ALUMINIUM - All Rights Reserved

V01

Rev : 10

External Corner on Cavity
UA 6975 SHADOLINE BOARD

VERTICAL CAVITY SYSTEM

Scale: 1 : 2 @ A4 - 2019

Brnz Appraisal #796 2019. (Vertical)