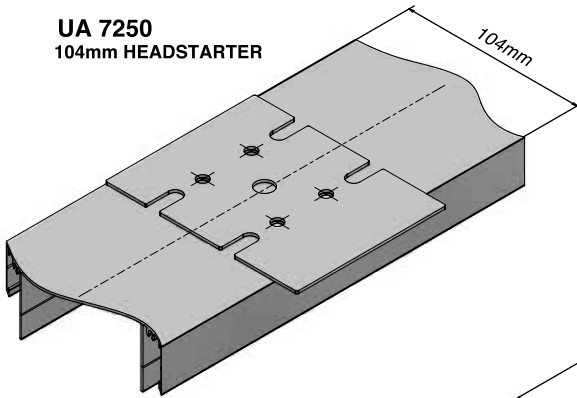
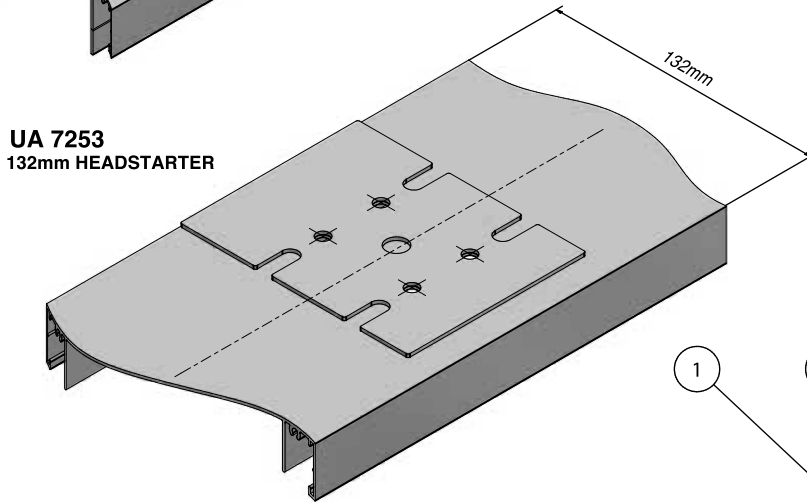


Please read and follow these instructions carefully to ensure the correct mounting procedures.

SPACER TOOL FUNCTION

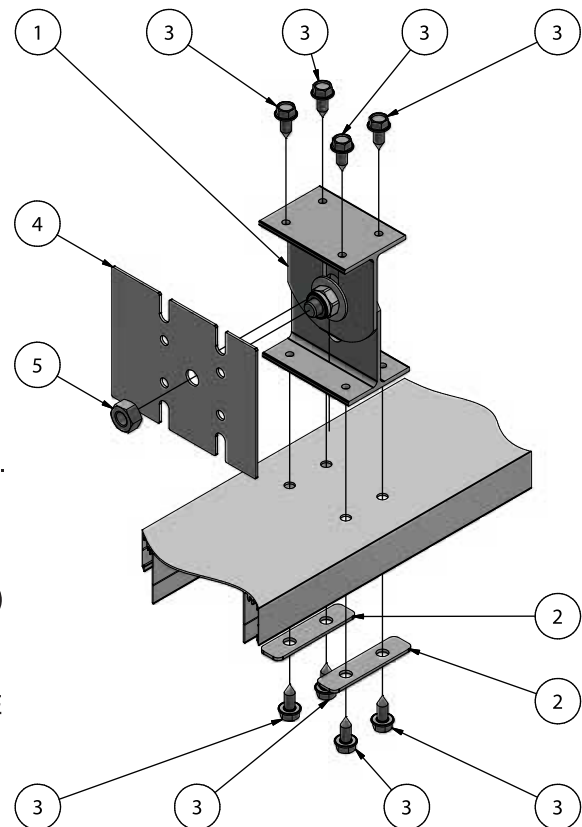


1. Align the appropriate edge of the SPACER TOOL provided, flush with the side of the DESIGNER HEADSTARTER. Ensure that the location of the holes are placed in the centre of the Headstarter.
2. Using the SPACER TOOL as a drill guide, drill 4 x 6.5mm holes through the top of the DESIGNER HEADSTARTER.



RESTRAINT BRACKET INSTALLATION

3. Attach the SPACER TOOL onto the end of the bolt and hold in place with the M10 HEX NUT, finger tighten.
4. Use 4 of the 14g x 5/8" HEX DRIVE T17 Self Tapping SCREWS. Screw from underneath through the Dual Washer and Designer Headstarter into the base of the RESTRAINT BRACKET which is placed centrally on top of the Headstarter. (Hex Head Driver Socket included with screws in Bracket's box)
5. Locate and attach the specified on site bracing to the top of the RESTRAINT BRACKET with 4 of the 14g x 5/8" HEX DRIVE T17 Self Tapping SCREWS provided.
6. While holding and maintaining the central position of the M10 x 25mm BOLT, remove the SPACER TOOL. Tighten M10 NYLOC NUT to 40 Nm.
7. For the installation of each RESTRAINT BRACKET repeat the process using the SPACER TOOL and M10 HEX NUT provided.



ITEM	QTY	ITEMS PER BOX
1	20	RESTRAINT BRACKET
2	40	DUAL WASHER
3	160	14g x 5/8" HEX DRIVE T17 SCREW
4	1	SPACER TOOL (Setup Only)
5	1	M10 HEX NUT (Setup Only)
	1	HEX NUT DRIVER SOCKET