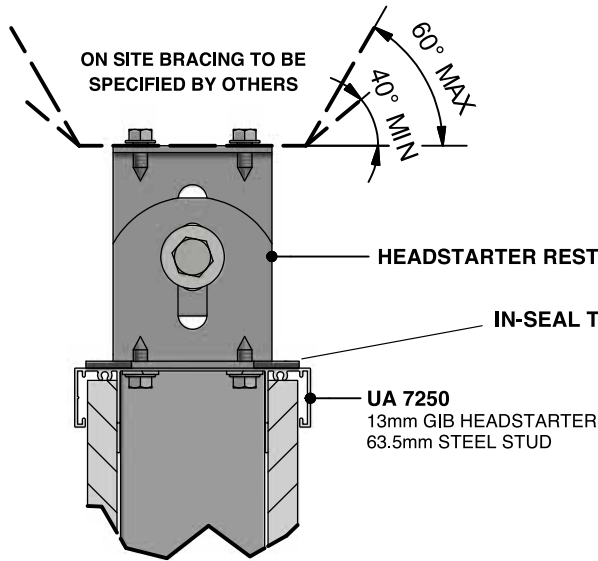
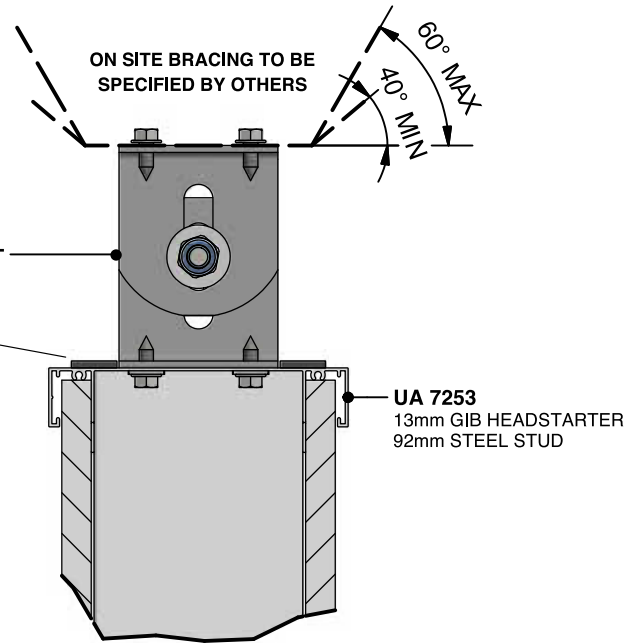


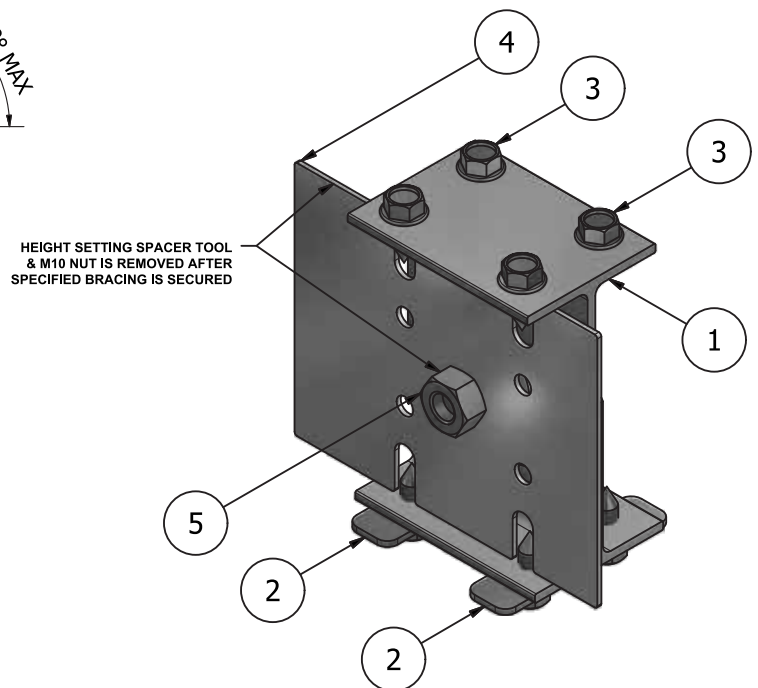
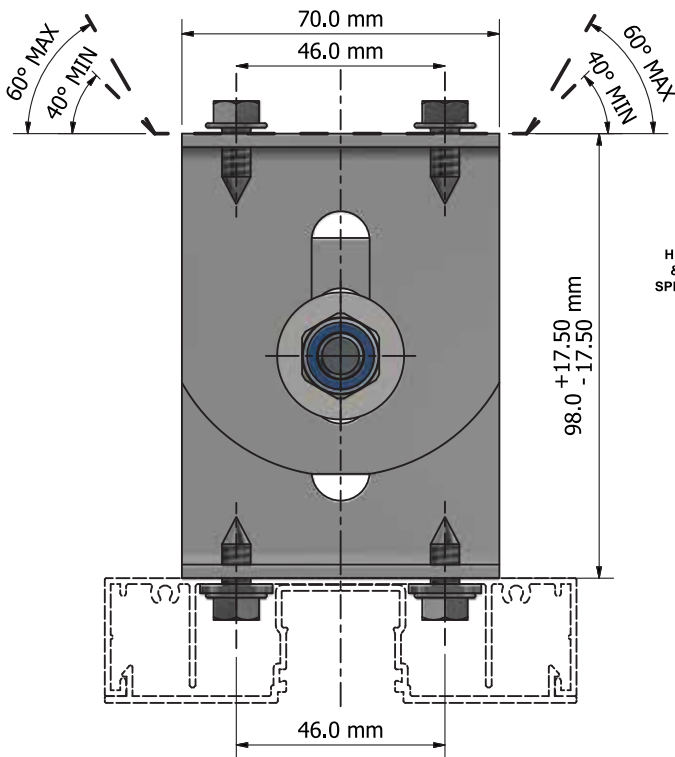
104mm SYSTEM / 63.5mm STEEL STUD



132mm SYSTEM / 92mm STEEL STUD



BRACKET CENTRE MOUNTED ON TOP OF ALUMINIUM HEADSTARTER



ASSUMPTIONS

- 3m HIGH STEEL STUD INTERNAL PARTITION WALL WITH 13mm GIB ON BOTH SIDES
- PARTITION WALL WEIGHT UP TO 40kg/m²
- NO ALLOWANCE FOR WALL FIXINGS SUCH AS WALL MOUNTED AC UNITS OR HEAVY JOINERY FITTINGS
- BUILDING SITE INFO - IMPORTANCE LEVEL 2 STRUCTURE AS PER NZS1170, ALL SOIL CLASSES AS PER NZS1170.5, NO ALLOWANCE FOR NEAR FAULT EFFECTS
- ON-SITE BRACING AND ITS FIXING TO BE SPECIFIED BY OTHERS
- BRACE ANGLE FROM HORIZONTAL BETWEEN 40 DEGREES TO 60 DEGREES

CAPACITY OF BRACKET WITH

- 4 x 14g x 5/8" T17SCREWS WITH 65x16x2mm STAINLESS STEEL DUAL WASHERS = 6.47Kn

HEADSTARTER RESTRAINT BRACKET

- FOR MAXIMUM SPACING SPECIFICATIONS REFER PAGE 31

ITEM	DESCRIPTION	MATERIAL
1	RESTRAINT BRACKET	STRUCTURAL ALLOY
2	DUAL WASHER	STAINLESS STEEL
3	HEX DRIVE 14g x 5/8" T17 SCREW	STAINLESS STEEL
4	SPACER TOOL (setup only)	ALUMINIUM
5	M10 HEX NUT (setup only)	STAINLESS STEEL