

UA7937 ULLTRATRAY BOARD VERTICAL CAVITY SYSTEM

REV: 10 2019

- | | |
|-----------------------------------------------|---------------------------------------|
| V00 : Wall Batten Elevation | V13 : Head - Jamb iso |
| V01 : External Corner on Cavity | V14 : Head - Jamb Notching Details |
| V02 : Internal Corner on Cavity | V15 : Meter Box Head on Cavity |
| V03 : 90° deg Corner Cap | V16 : Meter Box Jamb on Cavity |
| V04 : Vertical Wall Starter | V17 : Meter Box Sill on Cavity |
| V05 : No Soffit Detail on Cavity | V18 : Pipe Penetration on Cavity |
| V06 : Soffit Detail on Cavity | V19 : Roof-Wall Junction on Cavity |
| V07 : Timber Floor on Cavity | V20 : Gutter Wall Junction on Cavity |
| V08 : Window Head on Cavity | V21 : Parapet on Cavity |
| V09 : Window Jam on Cavity | V22 : Deck Junction on Cavity |
| V10 : Window Sill on Cavity | V23 : Inter-Storey Junction on Cavity |
| V11 : Sill-Jamb on Cavity | V24 : Ulltratrays Board Profiles |
| V12 : Head flashing / Head Starter / Jamb iso | |

ULLTRACLAD[®]
ALUMINIUM WEATHERBOARDS

ULLRICH ALUMINIUM CO LTD
PO Box 98 843 Manukau City Auckland 2241
118 Wiri Station Road Wiri 2104 New Zealand
TL 09 262 6262 Ext. 814 Mob 021 541 563

www.ulltracalad.co.nz

© ULLRICH ALUMINIUM - All Rights Reserved

VER

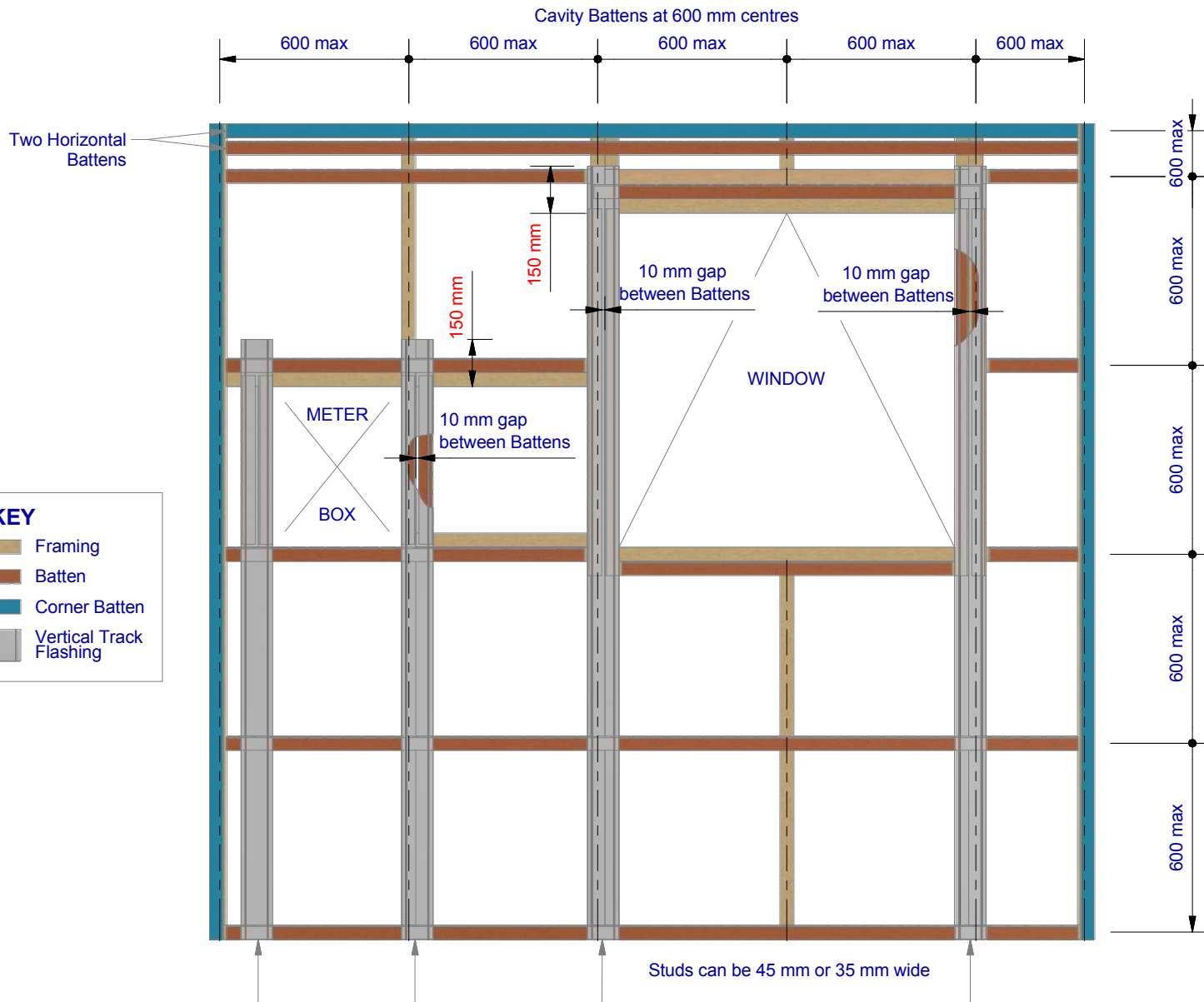
Rev : 10

UA 7937 ULLTRATRAY BOARD

VERTICAL CAVITY SYSTEM

Scale: 1 : 1 @ A4 - 2019

Brnz Appraisal #796 2019. (Vertical)



Batten options

1. Treated timber battens should have castellated profile to permit air passage and minimum 15° slope edge to shed water.

Impervious barrier (MDPE) or similar tape between cladding and batten.
To comply with NZBC E2/AS1 - Table 23.

Note:
Some machining of vertical battens may be required to avoid "build up".
i.e. back flashings / tapes

2. Cavity plastic Batten

Note:
packing/shims may be needed to ensure boards are fitted flat without distortion.

* Additional timber may be required at soffit to support UA 5831 Soffit Base.

Note: Important

Underlay strips to isolate aluminium from treated timber battens 50 mm wide medium density polyethylene (MDPE)

To comply with NZBC E2/AS1 - Table 23. Properties of roofing underlays and wall underlays, separates aluminium components and accessories from timber battens treated with copper-based treatments.

Cavity closers required as per NZBC E2/AS1 (section 9.1.8)

0.9 x 90mm Aluminium Track Flashing.
Alternatively use Dynex Dynafash.

KEY

-  Framing
-  Batten
-  Corner Batten
-  Vertical Track Flashing

ULLTRACLAD[®]
ALUMINIUM WEATHERBOARDS

ULLRICH ALUMINIUM CO LTD
PO Box 98 843 Manukau City Auckland 2241
118 Wiri Station Road Wiri 2104 New Zealand
TL 09 262 6262 Ext. 814 Mob 021 541 563

www.ulltraclad.co.nz

© ULLRICH ALUMINIUM - All Rights Reserved

V00

Rev : 10

Wall Batten Elevation
UA 7937 ULLTRATRAY BOARD

VERTICAL CAVITY SYSTEM
Scale: 1 : 20 @ A4 - 2019

Brnz Appraisal #796 2019. (Vertical)

Locator Clip UA 4535

Vertical cavity batten (corners only) fixed with 6g x 1.25" CSK Sq S/S pre-drilled screws through batten into dwang / nog

Clearance hole in board larger than screw gauge to allow for thermal expansion

When ripping boards to custom widths use treated timber Packers with isolation strips to replicate leg support

Minimum 5 mm clearance to allow for thermal expansion

5 MIN

Ulltraclad® UA 7094 Female Corner Flashing

Ulltraclad® UA 7095 Male Corner Flashing fixed to timber battens with 30 x 2.5 mm stainless steel clouts at 600 mm vertical centres

5 MIN

Face fix CSK aluminium Rivet through UA 7094 Female Corner Flashing and UA 7937 weatherboard (vertical). Touch up with colour match paint

Note: Underlay strips to isolate aluminium from treated timber battens Refer V00

10

10

Building underlay continuous around corner

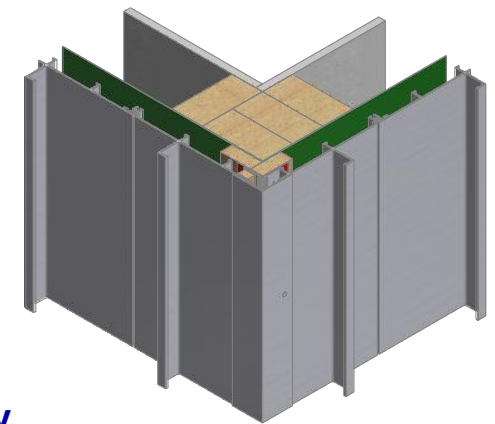
Cavity batten Refer V00 Batten Options

Locator Clips fixed at Max 600 mm vertical centres with 8g x 2" CSK Sq S/S self tapping screws through batten into dwang / nog

Wall frame

Interior lining

Note: Ensure to alternate spacings of fixings for battens and Locator Clips to avoid risk of splitting batten



ULLTRACLAD[®]
ALUMINIUM WEATHERBOARDS

ULLRICH ALUMINIUM CO LTD
PO Box 98 843 Manukau City Auckland 2241
118 Wiri Station Road Wiri 2104 New Zealand
TL 09 262 6262 Ext. 814 Mob 021 541 563

www.ulltraclad.co.nz

© ULLRICH ALUMINIUM - All Rights Reserved

V01

Rev : 10

External Corner on Cavity
UA 7937 ULLTRATRAY BOARD

VERTICAL CAVITY SYSTEM

Scale: 1 : 2 @ A4 - 2019

Brnz Appraisal #796 2019. (Vertical)

Ulltraclad® UA 7937 weatherboard (vertical)
 Ulltraclad® UA 7094 Female Corner Flashing fixed to timber battens with 30 x 2.5 mm stainless steel clouts at 600 mm vertical centres
 Face fix CSK aluminium Rivet through UA 7095 Male Corner Flashing and UA 7937 weatherboard (vertical). Touch up with colour match paint

Minimum 5 mm clearance to allow for thermal expansion

Clearance hole in board larger than screw gauge to allow for thermal expansion

Ulltraclad® UA 7095 Male Corner Flashing

When ripping boards to custom widths use treated timber packers with isolation strips to replicate leg support

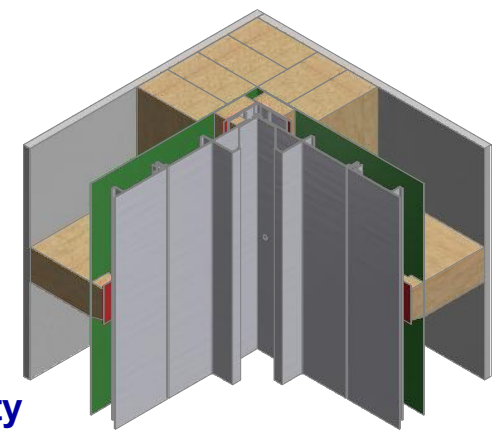
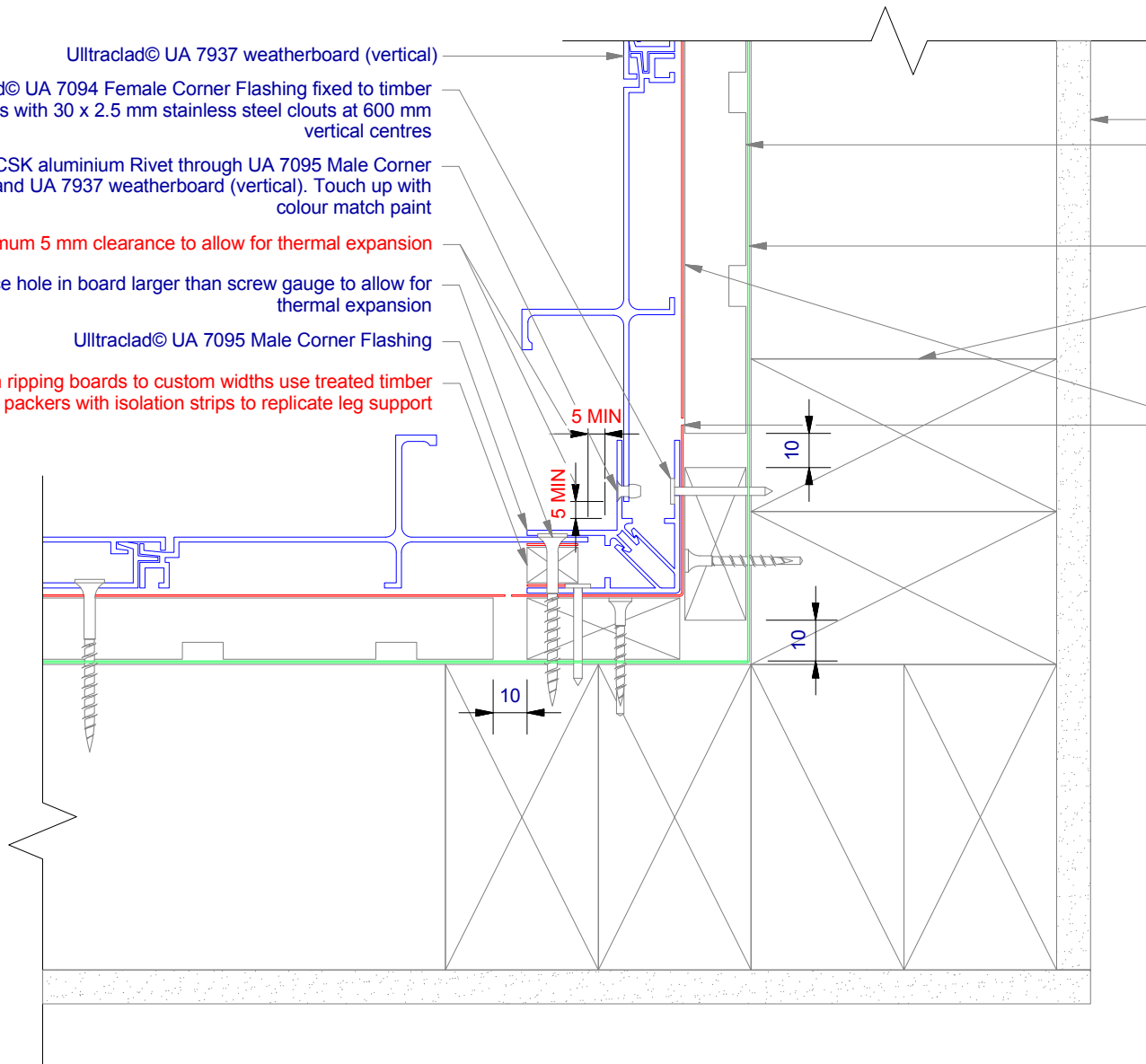
Interior lining
 Cavity batten
 Refer V00 Batten Options

Building underlay continuous around corner

Note: double stud required at internal corners

Note: Underlay strips to isolate aluminium from treated timber battens
 Refer V00

Note: Ensure to alternate spacings of fixings for battens and Locator Clips to avoid risk of splitting batten



ULLTRACLAD®
 ALUMINIUM WEATHERBOARDS

ULLRICH ALUMINIUM CO LTD
 PO Box 98 843 Manukau City Auckland 2241
 118 Wiri Station Road Wiri 2104 New Zealand
 TL 09 262 6262 Ext. 814 Mob 021 541 563

www.ulltraclad.co.nz

© ULLRICH ALUMINIUM - All Rights Reserved

V02

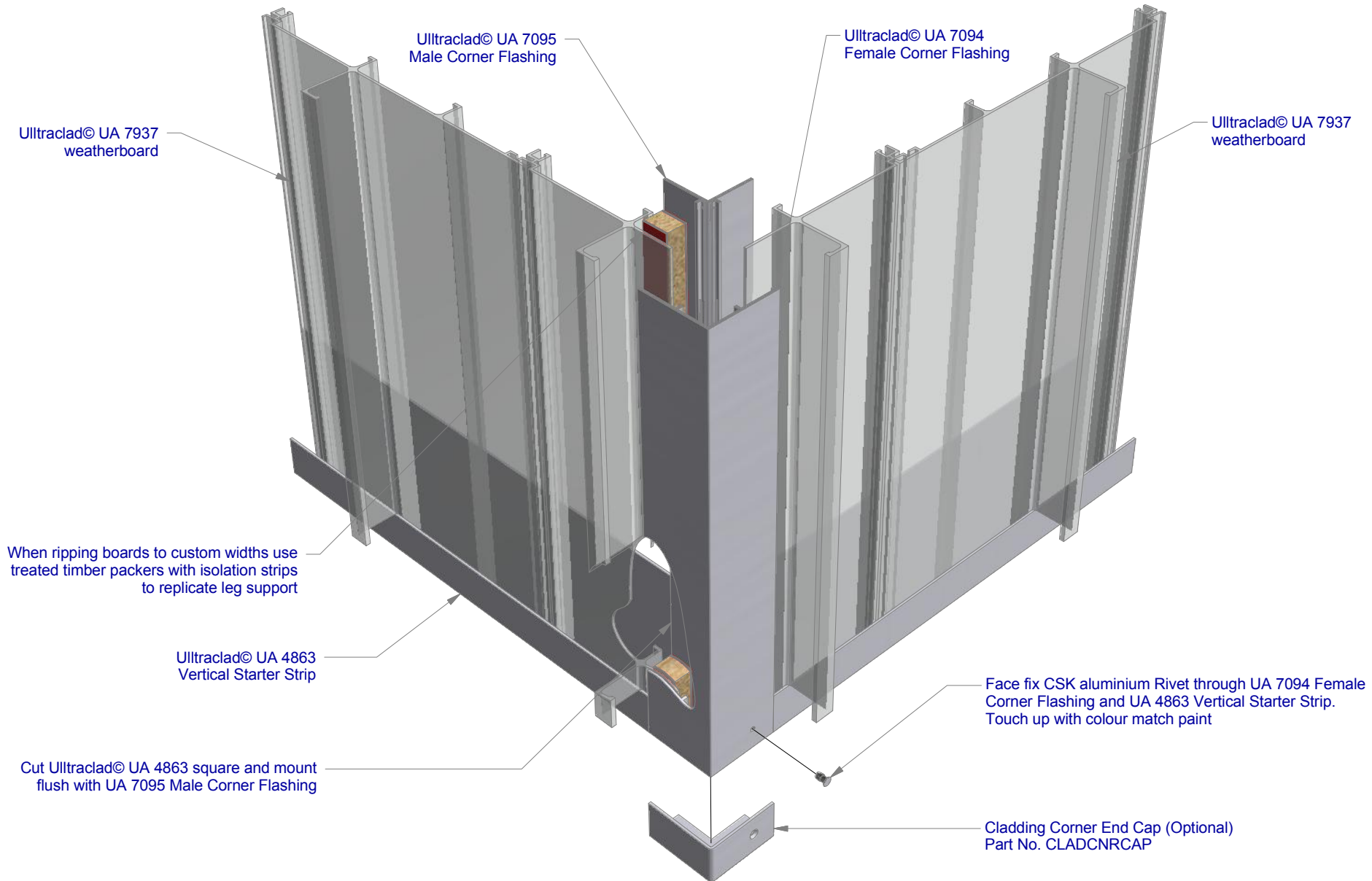
Rev : 10

Internal Corner on Cavity
UA 7937 ULLTRATRAY BOARD

VERTICAL CAVITY SYSTEM

Scale: 1 : 2 @ A4 - 2019

Brnz Appraisal #796 2019. (Vertical)



ULLTRACLAD[®]
ALUMINIUM WEATHERBOARDS

ULLRICH ALUMINIUM CO LTD
PO Box 98 843 Manukau City Auckland 2241
118 Wiri Station Road Wiri 2104 New Zealand
TL 09 262 6262 Ext. 814 Mob 021 541 563
www.ulltraclad.co.nz
© ULLRICH ALUMINIUM - All Rights Reserved

V03

Rev : 10

90° deg Corner Cap
UA 7937 ULLTRATRAY BOARD

VERTICAL CAVITY SYSTEM
Scale: 1 : 3 @ A4 - 2019

Brnz Appraisal #796 2019. (Vertical)

Ulltraclad® UA 7937 weatherboards fixed with Locator Clips fixed at Max 600 mm vertical centres with 8g x 2" CSK Sq S/S self tapping screws through batten into dwang / nog

Note: Underlay strips to isolate aluminium from treated timber battens Refer V00

Cavity batten Refer V00 Batten Options

Ulltraclad® UA 4863 Vertical Starter Strip fixed to bottom plate at 300 mm centres with 8g x 2" CSK Sq S/S self tapping screws

Ulltraclad® Cavity Vent Strip Alternatively use PVC type

Ulltraclad® UA 4863 with 5 mm diameter drainage holes drilled through base of Starter at 300 mm centres

Note: 100 mm minimum to permanent paving or 175 mm to unpaved ground to clause 9.1.3 of E2/AS1

Concrete slab or Blockwork

Finished ground level

Building underlay

Interior lining

Bottom plate over DPC

Note: Ensure to alternate spacings of fixings for battens and Locator Clips to avoid risk of splitting batten

6 mm overhang (optional)

50

100

ULLTRACLAD[®]
ALUMINIUM WEATHERBOARDS

ULLRICH ALUMINIUM CO LTD
PO Box 98 843 Manukau City Auckland 2241
118 Wiri Station Road Wiri 2104 New Zealand
TL 09 262 6262 Ext. 814 Mob 021 541 563

www.ulltraclad.co.nz

© ULLRICH ALUMINIUM - All Rights Reserved

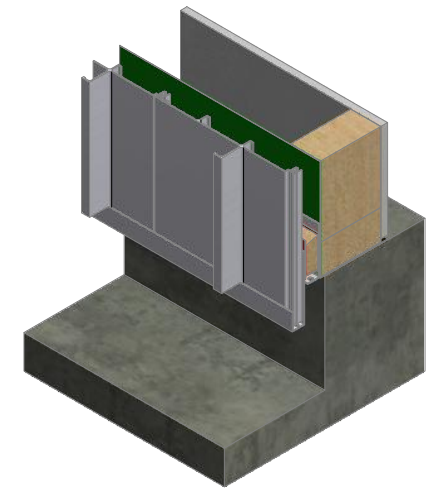
V04

Rev : 10

Vertical Wall Starter
UA 7937 ULLTRATRAY BOARD

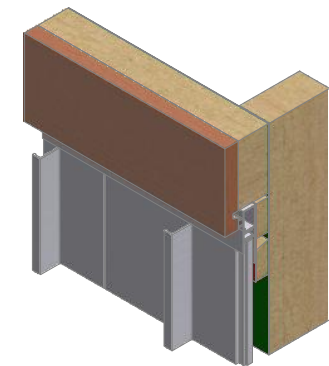
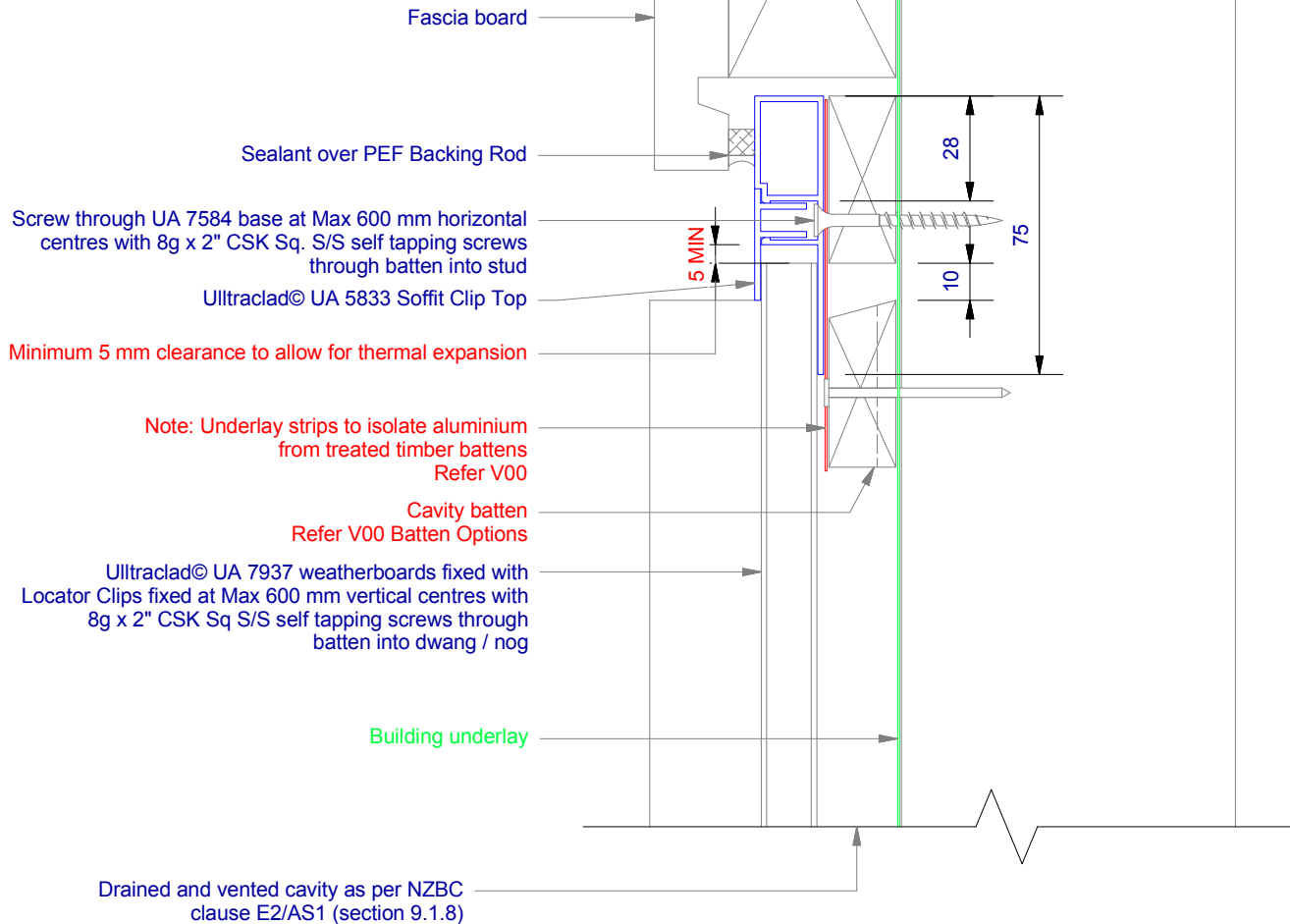
VERTICAL CAVITY SYSTEM

Scale: 1 : 2 @ A4 - 2019



Brnz Appraisal #796 2019. (Vertical)

Note: Ensure to alternate spacings of fixings for battens and Locator Clips to avoid risk of splitting batten



ULLTRACLAD[®]
ALUMINIUM WEATHERBOARDS

ULLRICH ALUMINIUM CO LTD
PO Box 98 843 Manukau City Auckland 2241
118 Wiri Station Road Wiri 2104 New Zealand
TL 09 262 6262 Ext. 814 Mob 021 541 563

www.ulltraclad.co.nz
© ULLRICH ALUMINIUM - All Rights Reserved

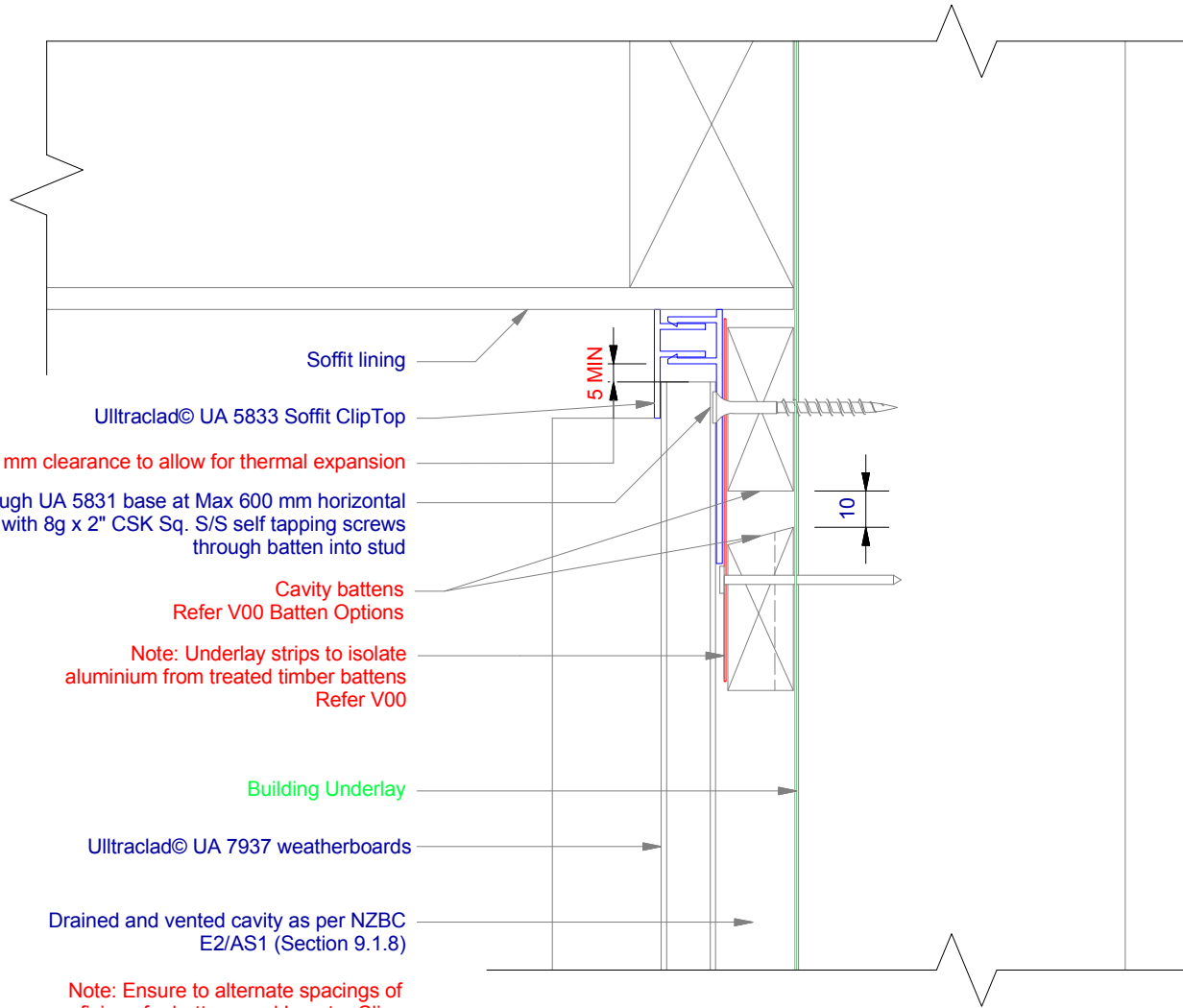
V05

Rev : 10

No Soffit Detail on Cavity
UA 7937 ULLTRATRAY BOARD

VERTICAL CAVITY SYSTEM
Scale: 1 : 2 @ A4 - 2019

Brnz Appraisal #796 2019. (Vertical)



Soffit lining

Ulltraclad® UA 5833 Soffit ClipTop

Minimum 5 mm clearance to allow for thermal expansion

Screw through UA 5831 base at Max 600 mm horizontal centres with 8g x 2" CSK Sq. S/S self tapping screws through batten into stud

Cavity battens
Refer V00 Batten Options

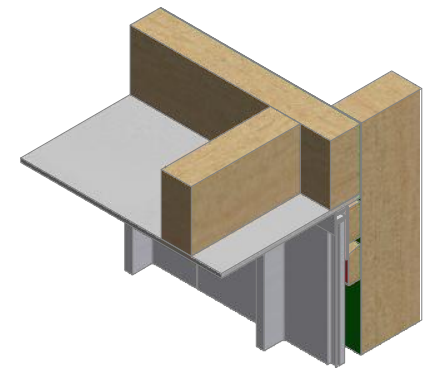
Note: Underlay strips to isolate aluminium from treated timber battens
Refer V00

Building Underlay

Ulltraclad® UA 7937 weatherboards

Drained and vented cavity as per NZBC E2/AS1 (Section 9.1.8)

Note: Ensure to alternate spacings of fixings for battens and Locator Clips to avoid risk of splitting batten



ULLTRACLAD[®]
ALUMINIUM WEATHERBOARDS

ULLRICH ALUMINIUM CO LTD
PO Box 98 843 Manukau City Auckland 2241
118 Wiri Station Road Wiri 2104 New Zealand
TL 09 262 6262 Ext. 814 Mob 021 541 563
www.ulltraclad.co.nz
© ULLRICH ALUMINIUM - All Rights Reserved

V06
Rev : 10

Soffit Detail on Cavity
UA 7937 ULLTRATRAY BOARD

VERTICAL CAVITY SYSTEM
Scale: 1 : 2 @ A4 - 2019

Brnz Appraisal #796 2019. (Vertical)

Ultraclad® UA 7937 weatherboards fixed with Locator Clips fixed at Max 600 mm vertical centres with 8g x 2" CSK Sq S/S self tapping screws through batten into dwang / nog

Interior lining

Bottom plate

Flooring to finish 10 mm back from outside framing

10

Timber floor structure in accordance with NZS 3604: 2011

Building Underlay

Note: Underlay strips to isolate aluminium from treated timber battens Refer V00

Ultraclad® UA 4863 Vertical Starter Strip fixed to floor joist at 300 mm centres with 8g x 2" CSK Sq. S/S self tapping screws

Note: Underlay strips to isolate aluminium from treated timber battens Refer V00

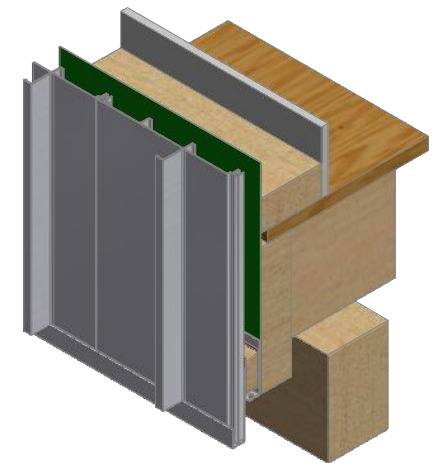
10

Ultraclad® Cavity Vent Strip Alternatively use PVC type

Ultraclad® UA 4863 with 5 mm diameter drainage holes drilled through base of Starter at 300 mm centres

50 MIN

Note: Ensure to alternate spacings of fixings for battens and Locator Clips to avoid risk of splitting batten



ULLTRACLAD[®]
ALUMINIUM WEATHERBOARDS

ULLRICH ALUMINIUM CO LTD
PO Box 98 843 Manukau City Auckland 2241
118 Wiri Station Road Wiri 2104 New Zealand
TL 09 262 6262 Ext. 814 Mob 021 541 563

www.ulltraclad.co.nz

© ULLRICH ALUMINIUM - All Rights Reserved

V07

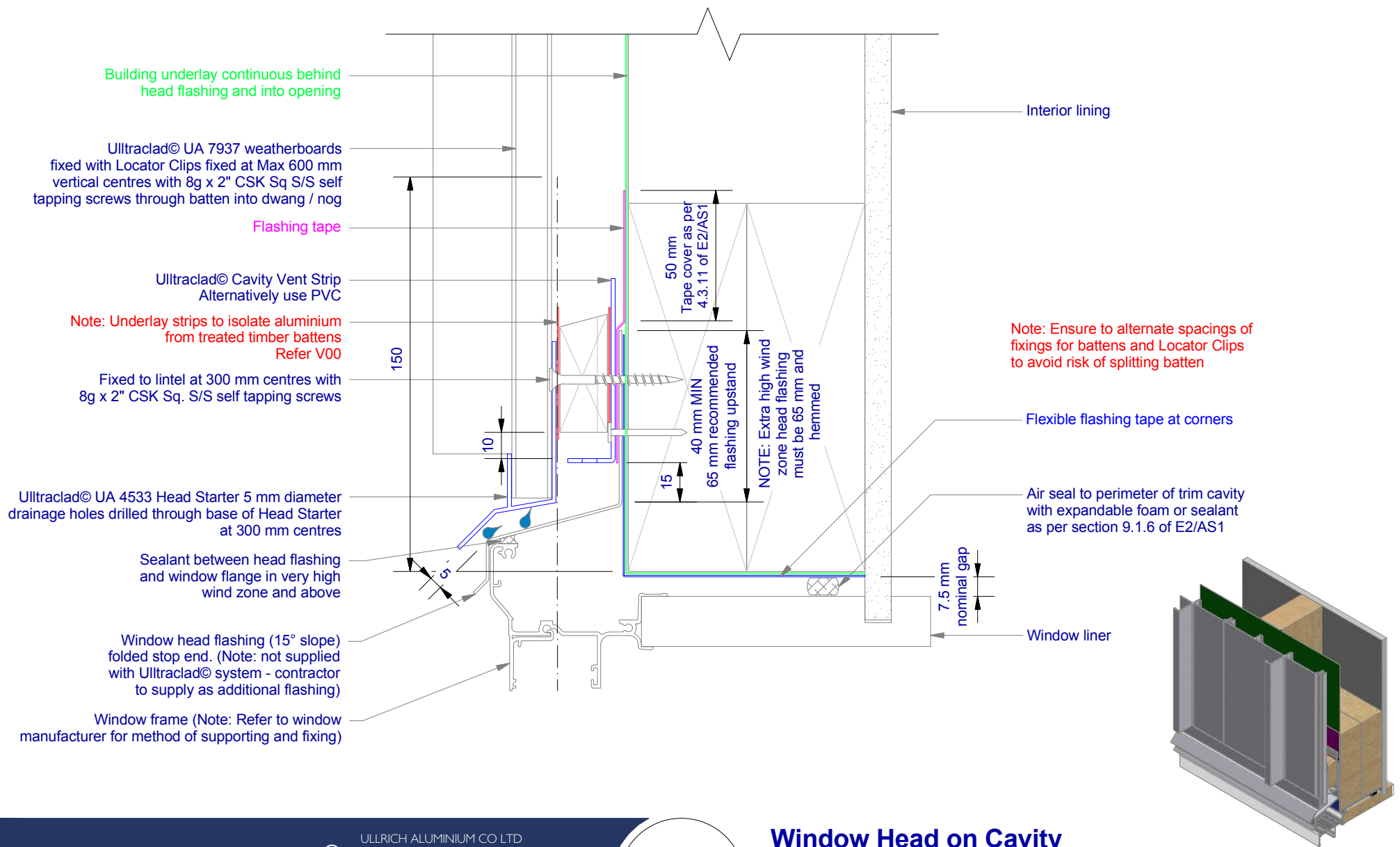
Rev : 10

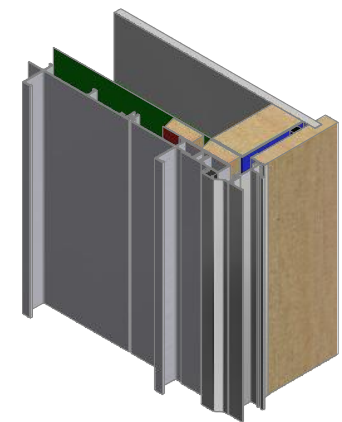
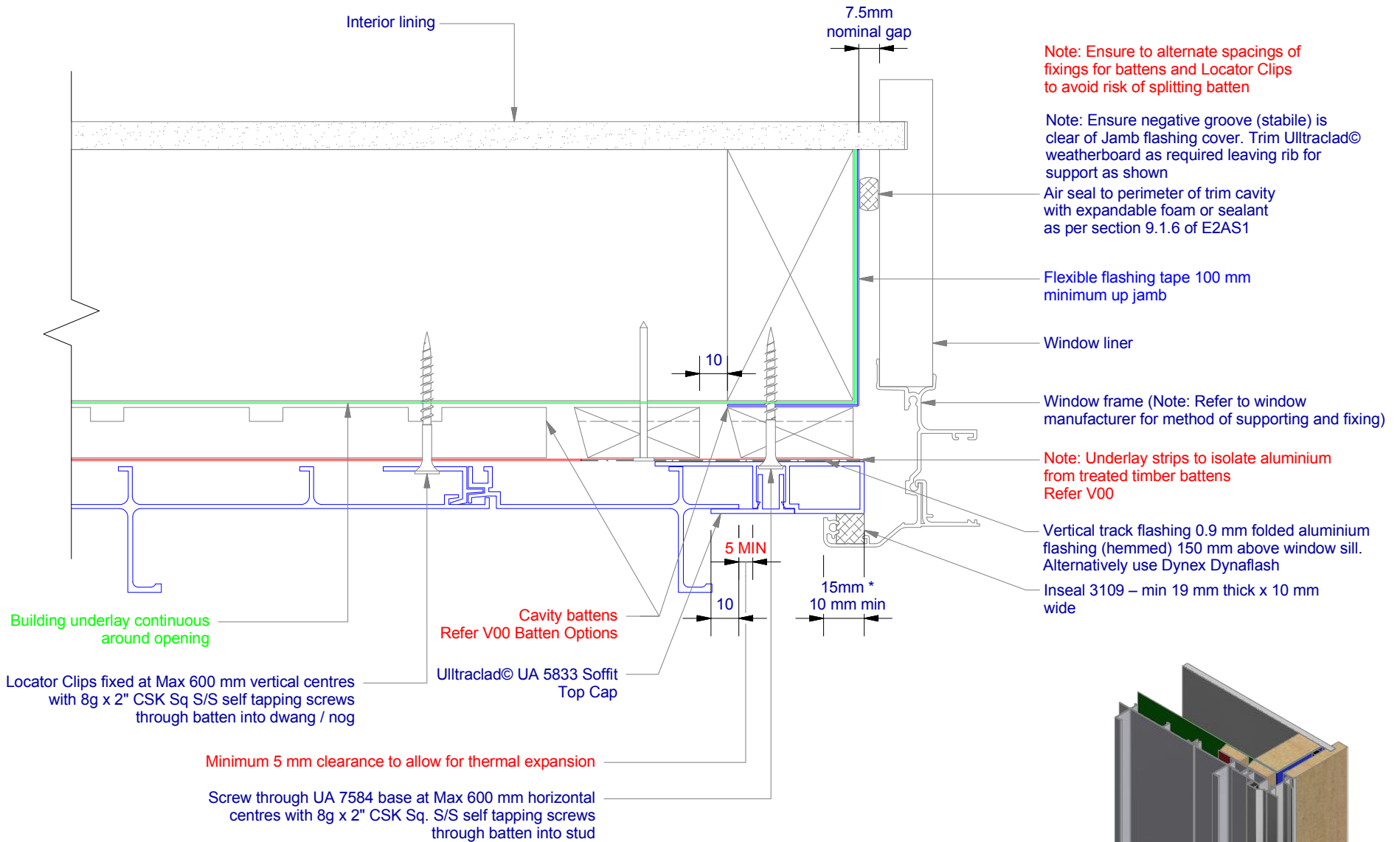
Timber Floor on Cavity
UA 7937 ULLTRATRAY BOARD

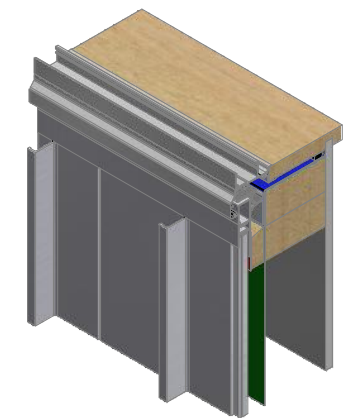
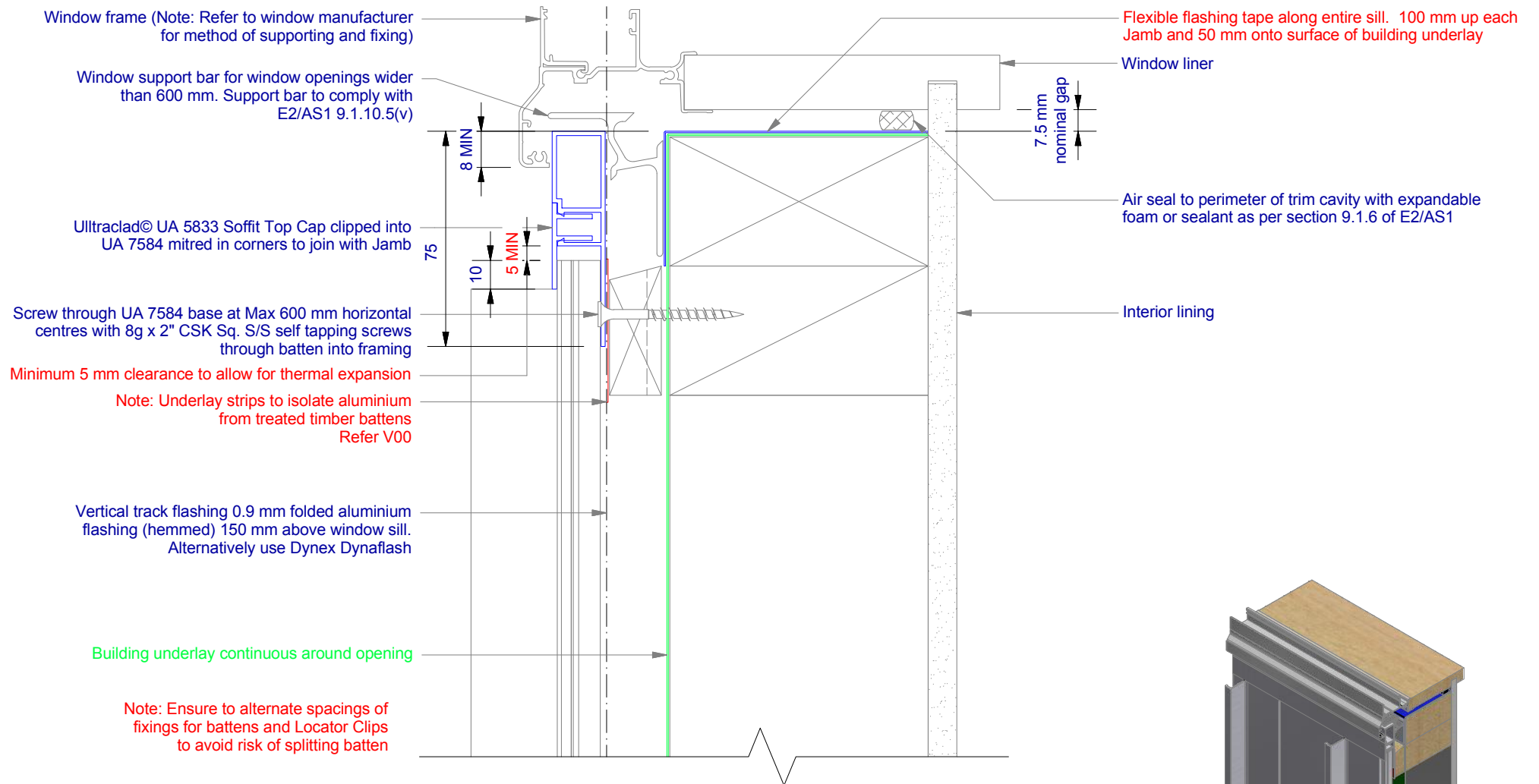
VERTICAL CAVITY SYSTEM

Scale: 1 : 3 @ A4 - 2019

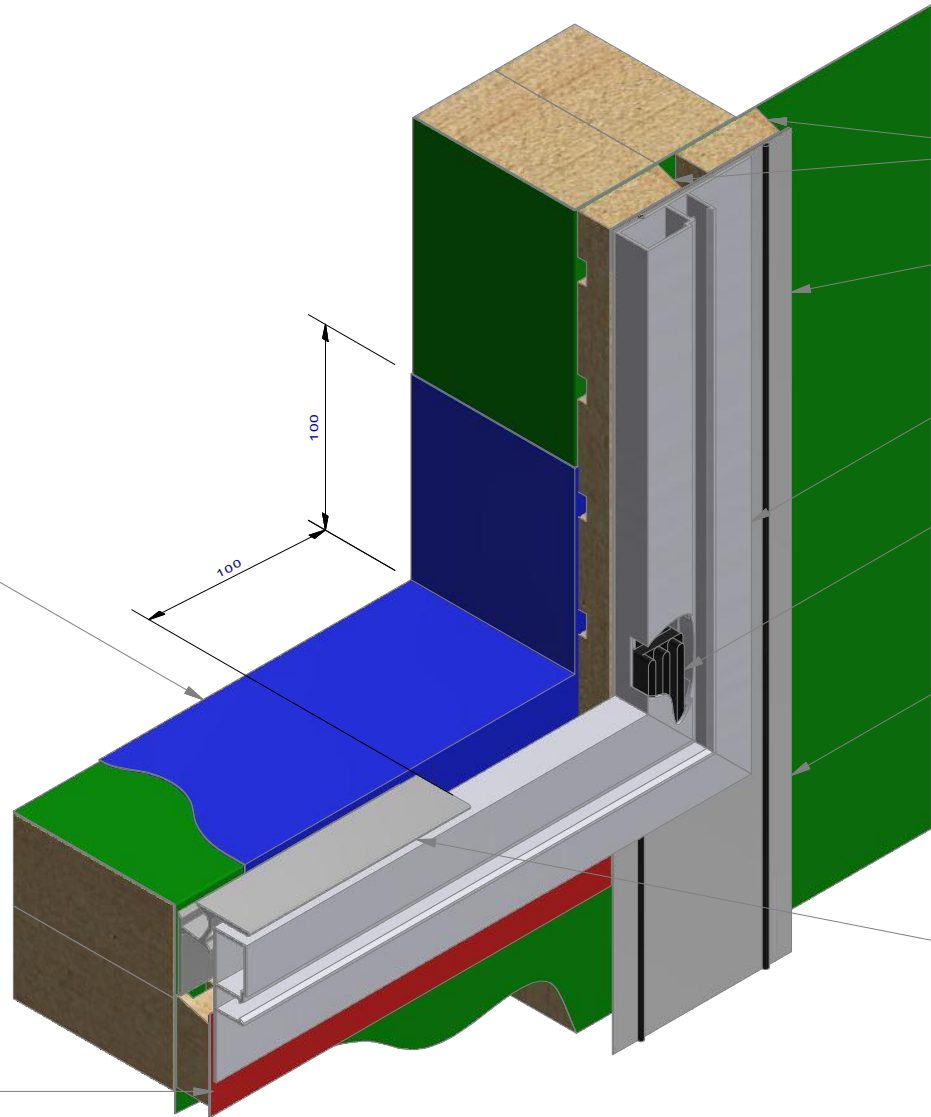
Brnz Appraisal #796 2019. (Vertical)







Flexible flashing tape along sill to continue 50 mm onto face of wall and 100 minimum up each Jamb



Cavity battens
Refer V00 Batten Options

Note: Underlay strips to isolate aluminium from treated timber battens
Refer V00

Ulltraclad® UA 7584 Window Jamb / Sill mitred in corners

Corners held together with PVC corner gusset
Part No. CLADSTAKECNR

Building underlay

Vertical track flashing 0.9 mm folded aluminium flashing (hemmed) to Vertical Starter or inter-storey
Alternatively use Dynex Dynaflash

Window support bar for window openings wider than 600 mm. Support bar to comply with E2/AS1 9.1.10.5(v).
Install batten below if required

Note: Underlay strips to isolate aluminium from treated timber battens
Refer V00

ULLTRACLAD®
ALUMINIUM WEATHERBOARDS

ULLRICH ALUMINIUM CO LTD
PO Box 98 843 Manukau City Auckland 2241
118 Wiri Station Road Wiri 2104 New Zealand
TL 09 262 6262 Ext. 814 Mob 021 541 563

www.ulltraclad.co.nz

© ULLRICH ALUMINIUM - All Rights Reserved

V11

Rev : 10

Sill-Jamb on Cavity
UA 7937 ULLTRATRAY BOARD

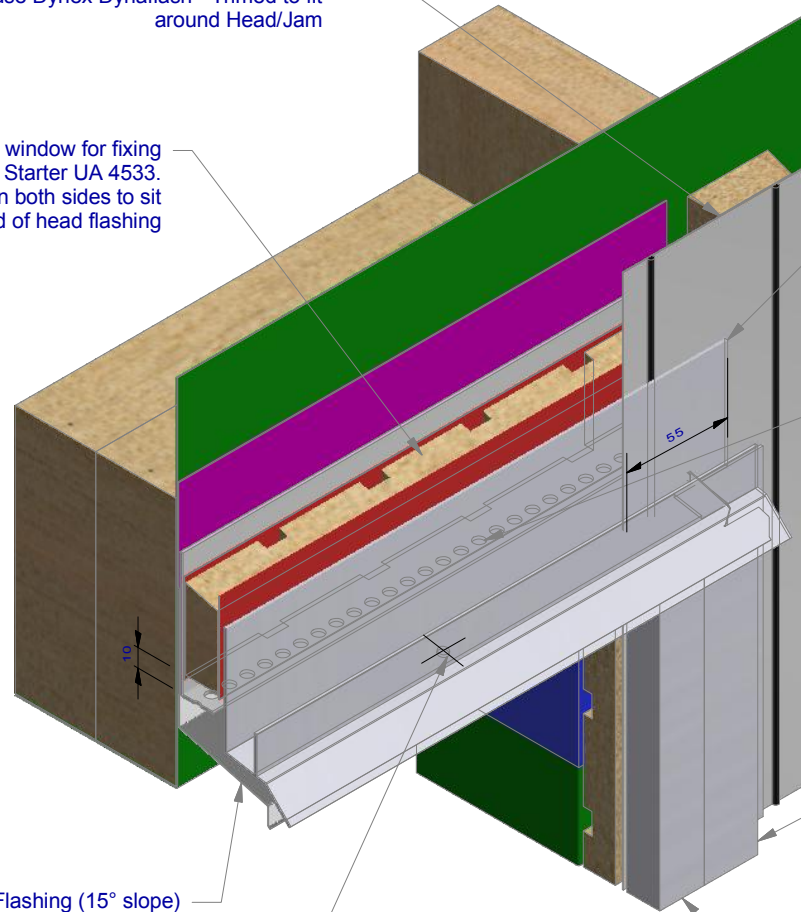
VERTICAL CAVITY SYSTEM

Scale: 1 : 3 @ A4 - 2019

Brnz Appraisal #796 2019. (Vertical)

Vertical track flashing 0.9 mm folded aluminium flashing (hemmed) to 150 mm above window head.
Alternatively use Dynex Dynafash - Trimmed to fit around Head/Jam

Battens above window for fixing window head Starter UA 4533.
Outer batten both sides to sit inside stope of head flashing



Window Head Flashing (15° slope) folded stop end. (Note: not supplied with Ulltraclad© system - contractor to supply as additional flashing)

Ulltraclad© UA 4533 Head Starter 5 mm diameter drainage holes drilled through base of Head Starter at 300 mm centres

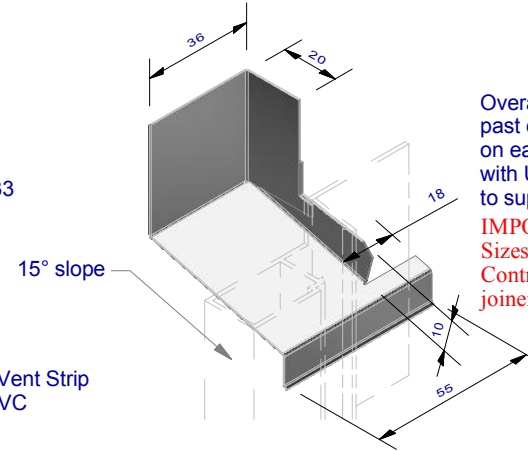
Ulltraclad© UA 4533 Head Starter

Ulltraclad© Cavity Vent Strip
Alternatively use PVC

Ulltraclad© UA 5833 Soffit Clip Top

Ulltraclad© UA 7584 Jamb Flashing

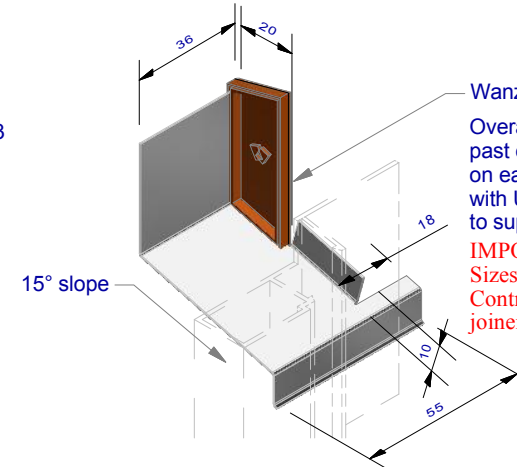
Window Head Flashing Option 1 Cut & Fold Stop End (1 : 2)



Overall Head Flashing length = +40 mm past edge of window and door joinery on each side. (Note: not supplied with Ulltraclad© system - contractor to supply as additional flashing)

IMPORTANT:
Sizes shown are indicative only!
Contractor to confirm onsite as joinery suites may vary.

Window Head Flashing Option 2 Wanz Plastic Stop End Cap (1 : 2)



Wanz Plastic Stop End

Overall Head Flashing length = +40 mm past edge of window and door joinery on each side. (Note: not supplied with Ulltraclad© system - contractor to supply as additional flashing)

IMPORTANT:
Sizes shown are indicative only!
Contractor to confirm onsite as joinery suites may vary.

ULLTRA CLAD[®]
ALUMINIUM WEATHERBOARDS

ULLRICH ALUMINIUM CO LTD
PO Box 98 843 Manukau City Auckland 2241
118 Wiri Station Road Wiri 2104 New Zealand
TL 09 262 6262 Ext. 814 Mob 021 541 563

www.ulltraclad.co.nz

© ULLRICH ALUMINIUM - All Rights Reserved

V12

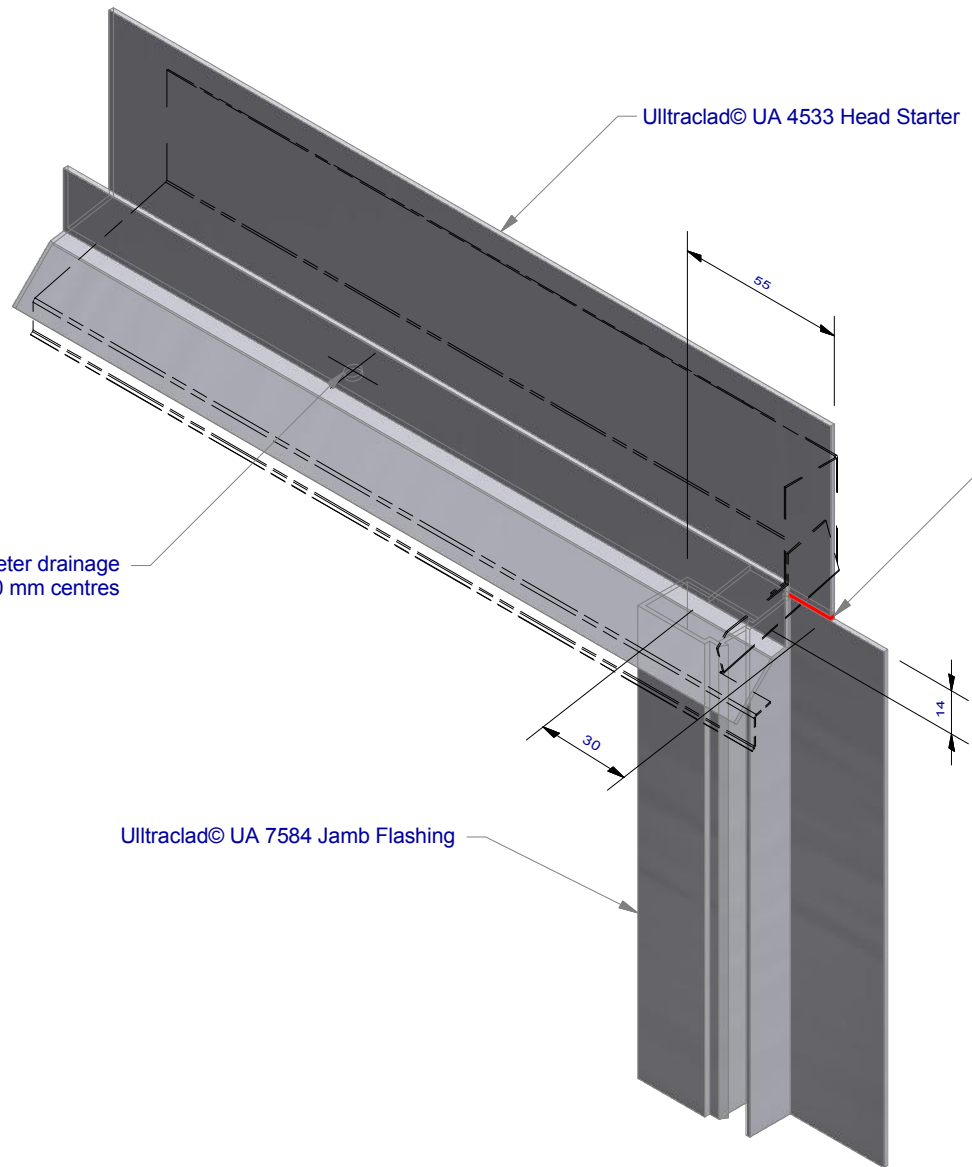
Rev : 10

Head flashing / Head Starter / Jamb iso
UA 7937 ULLTRATRAY BOARD

VERTICAL CAVITY SYSTEM

Scale: 1 : 3 @ A4 - 2019

Brnz Appraisal #796 2019. (Vertical)



Ulltraclad© UA 4533 Head Starter

IMPORTANT:
 Sizes shown are indicative only!
 Contractor to confirm onsite as
 joinery suites may vary.

Applying sealant before fitting UA 4533
 sealant at facade

Ulltraclad© UA 4533 Head Starter 5 mm diameter drainage
 holes drilled through base of Head Starter at 300 mm centres

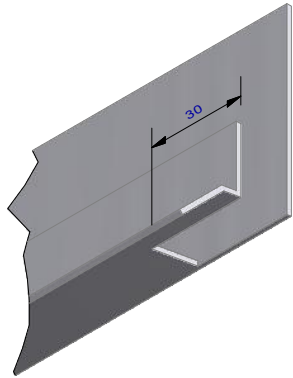
Note: Ulltraclad© UA 4533 Head Starter to extend
 40 mm past edge of window or door joinery.
 Building underlay, flashing tape and UA 5833
 omitted for clarity

Ulltraclad© UA 7584 Jamb Flashing

Ultraclad® UA 4533 Head Starter 5 mm diameter drainage holes drilled through base of Head Starter at 300 mm centres

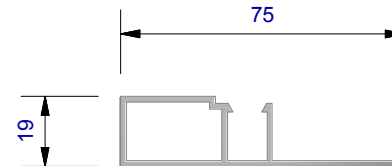
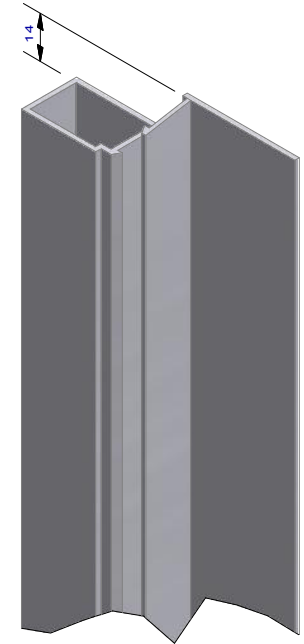


IMPORTANT:
 Sizes shown are indicative only!
 Contractor to confirm onsite as
 joinery suites may vary.



Ultraclad® UA 4533 Head Starter

Ultraclad® UA 7584 Jamb Flashing



ULLTRACLAD®
 ALUMINIUM WEATHERBOARDS

ULLRICH ALUMINIUM CO LTD
 PO Box 98 843 Manukau City Auckland 2241
 118 Wiri Station Road Wiri 2104 New Zealand
 TL 09 262 6262 Ext. 814 Mob 021 541 563
 www.ulltraclad.co.nz
 © ULLRICH ALUMINIUM - All Rights Reserved

V14

Rev : 10

Head - Jamb Notching Details
 UA 7937 ULLTRATRAY BOARD

VERTICAL CAVITY SYSTEM
 Scale: 1 : 2 @ A4 - 2019

Brnz Appraisal #796 2019. (Vertical)

Ulltraclad® UA 7937 weatherboards fixed with Locator Clips fixed at Max 600 mm vertical centres with 8g x 2" CSK Sq S/S self tapping screws through batten into dwang / nog

Ulltraclad® Cavity Vent Strip
Alternatively use PVC type

Note: Underlay strips to isolate aluminium from treated timber battens
Refer V00

Flashing tape

Cavity batten
Refer V00 Batten Options

Ulltraclad® UA 4863 Vertical Starter Strip fixed to frame at 300 mm centres with 8g x 2" CSK Sq. S/S self tapping screws

Ulltraclad® UA 4533 Head Starter 5 mm diameter drainage holes drilled through base of flashing at 300 mm centres

Aluminium flashing 15° slope
(Note: not supplied with Ulltraclad® system - contractor to supply as additional flashing, Stop end etc.)

20 x 20 mm metal angle sealed and riveted to metal box

Note: Ensure to alternate spacings of fixings for battens and Locator Clips to avoid risk of splitting batten

Building underlay continuous behind head flashing and into opening

50 mm
Tape cover as per 4.3.11 of E2/AS1

40 mm MIN
65 mm recommended flashing upstand
NOTE: Extra high wind zone head flashing must be 65 mm and hemmed

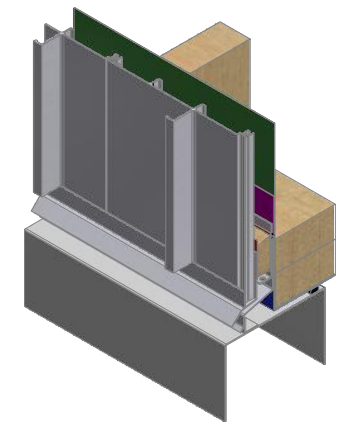
Nog as required

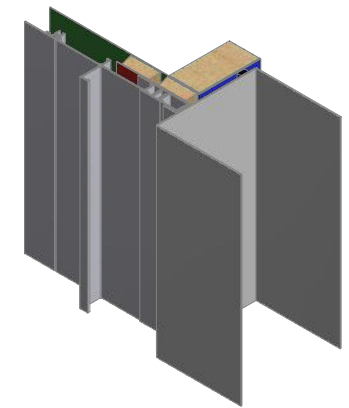
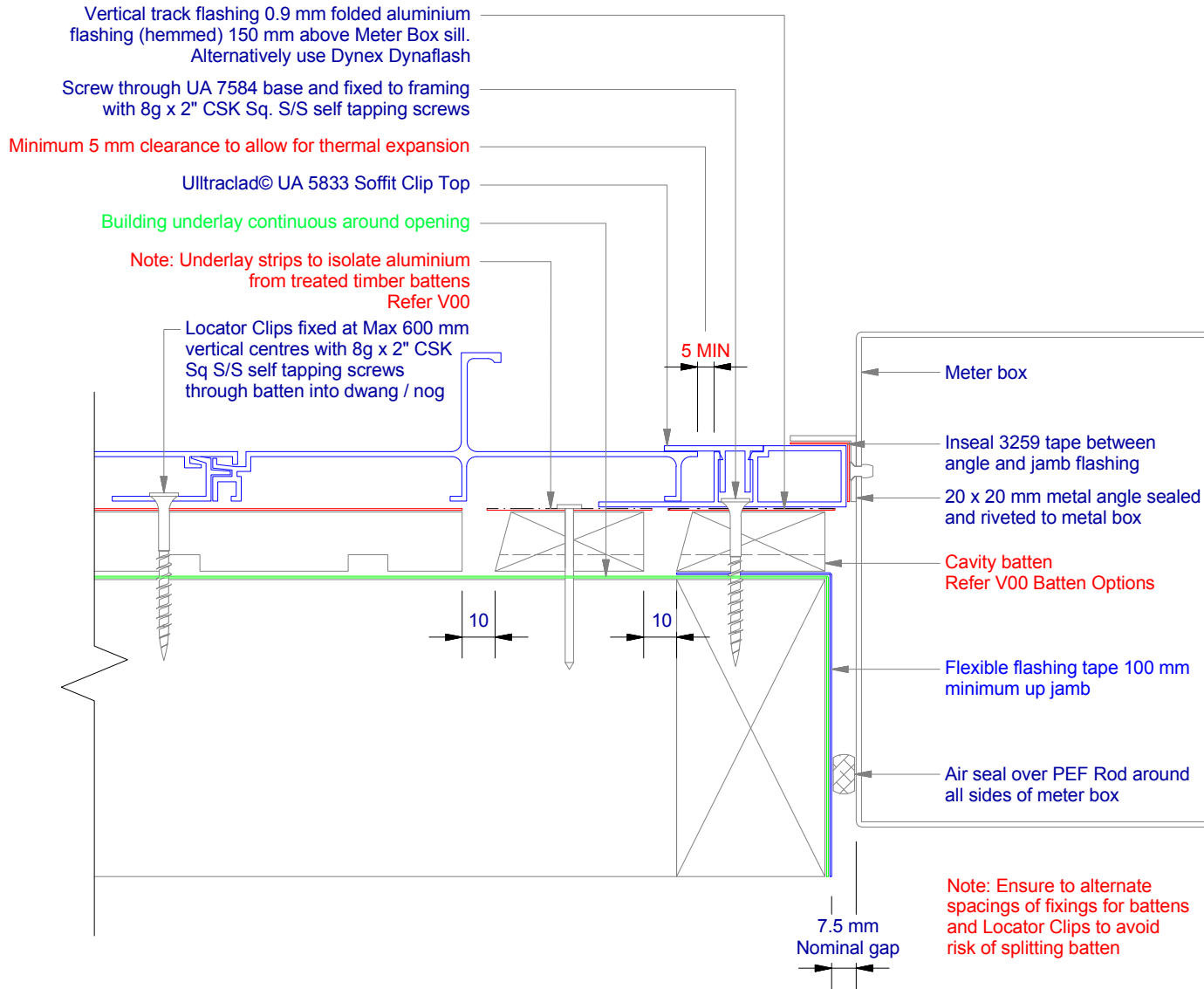
Flexible flashing tape at corners

Air seal over PEF Rod around all sides of meter box

7.5 mm
Nominal gap

Meter box





ULLTRACLAD®
ALUMINIUM WEATHERBOARDS

ULLRICH ALUMINIUM CO LTD
PO Box 98 843 Manukau City Auckland 2241
118 Wiri Station Road Wiri 2104 New Zealand
TL 09 262 6262 Ext. 814 Mob 021 541 563

www.ulltraclad.co.nz

© ULLRICH ALUMINIUM - All Rights Reserved

V16

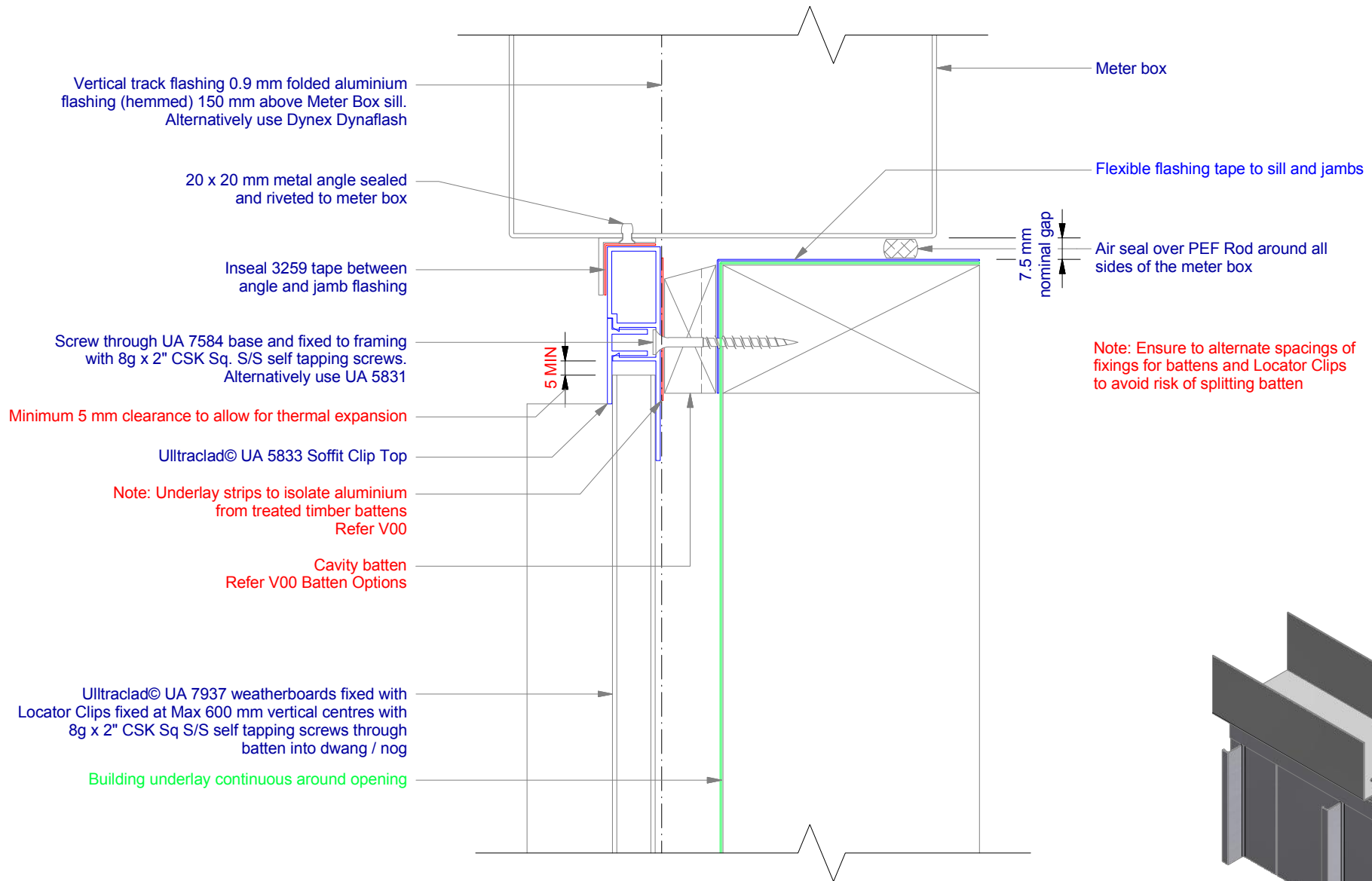
Rev : 10

Meter Box Jamb on Cavity
UA 7937 ULLTRATRAY BOARD

VERTICAL CAVITY SYSTEM

Scale: 1 : 2 @ A4 - 2019

Brnz Appraisal #796 2019. (Vertical)



Vertical track flashing 0.9 mm folded aluminium flashing (hemmed) 150 mm above Meter Box sill. Alternatively use Dynex Dynafash

20 x 20 mm metal angle sealed and riveted to meter box

Inseal 3259 tape between angle and jamb flashing

Screw through UA 7584 base and fixed to framing with 8g x 2" CSK Sq. S/S self tapping screws. Alternatively use UA 5831

Minimum 5 mm clearance to allow for thermal expansion

Ultraclad® UA 5833 Soffit Clip Top

Note: Underlay strips to isolate aluminium from treated timber battens Refer V00

Cavity batten Refer V00 Batten Options

Ultraclad® UA 7937 weatherboards fixed with Locator Clips fixed at Max 600 mm vertical centres with 8g x 2" CSK Sq S/S self tapping screws through batten into dwang / nog

Building underlay continuous around opening

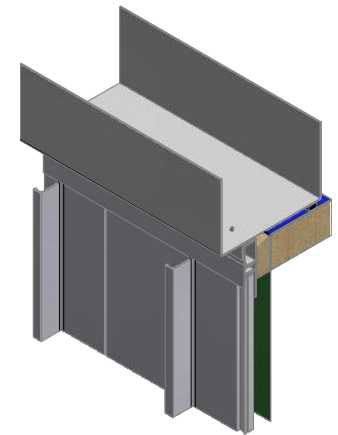
Meter box

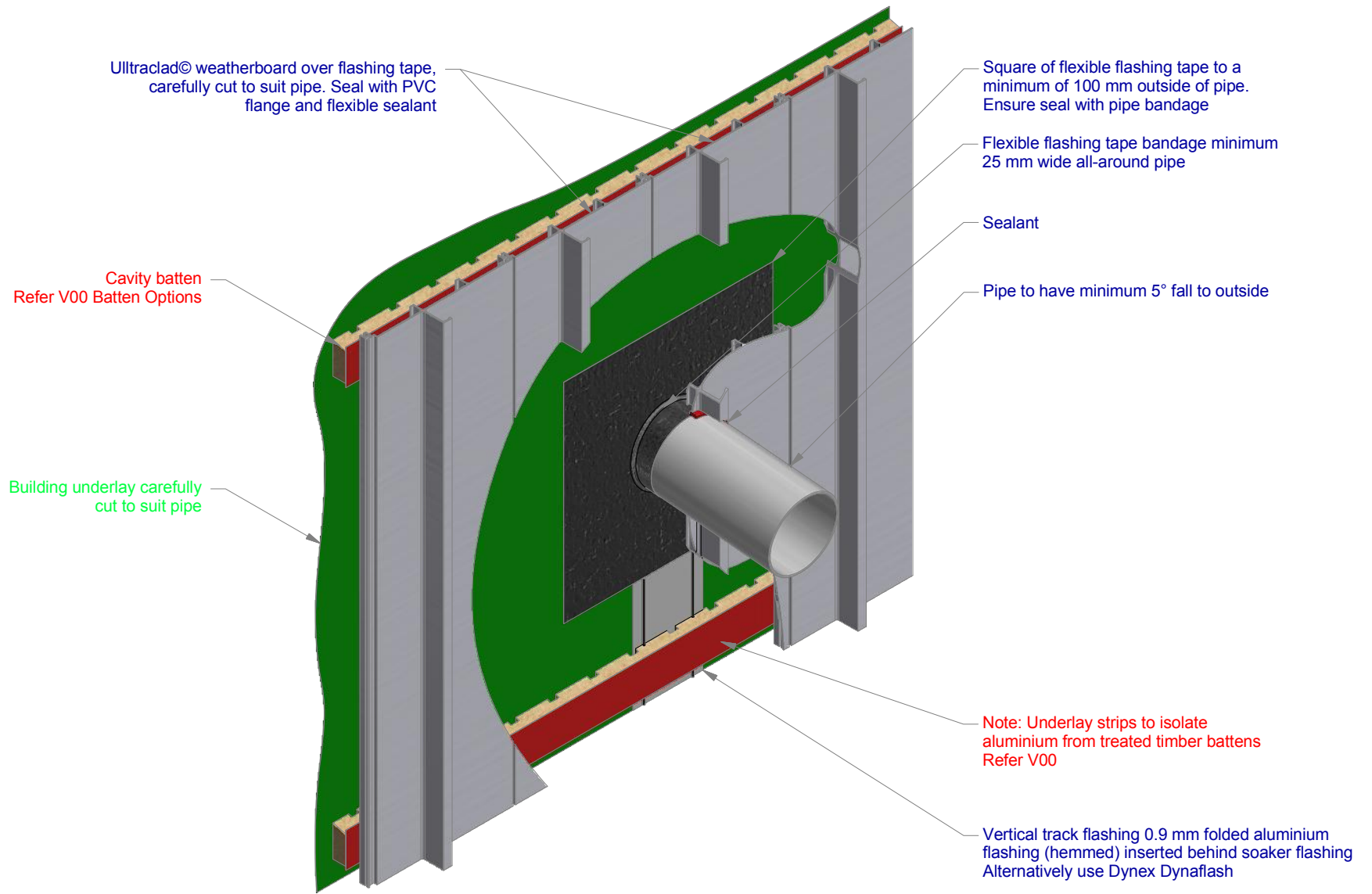
Flexible flashing tape to sill and jambs

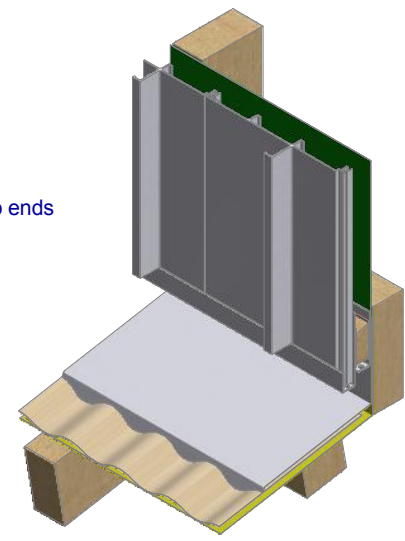
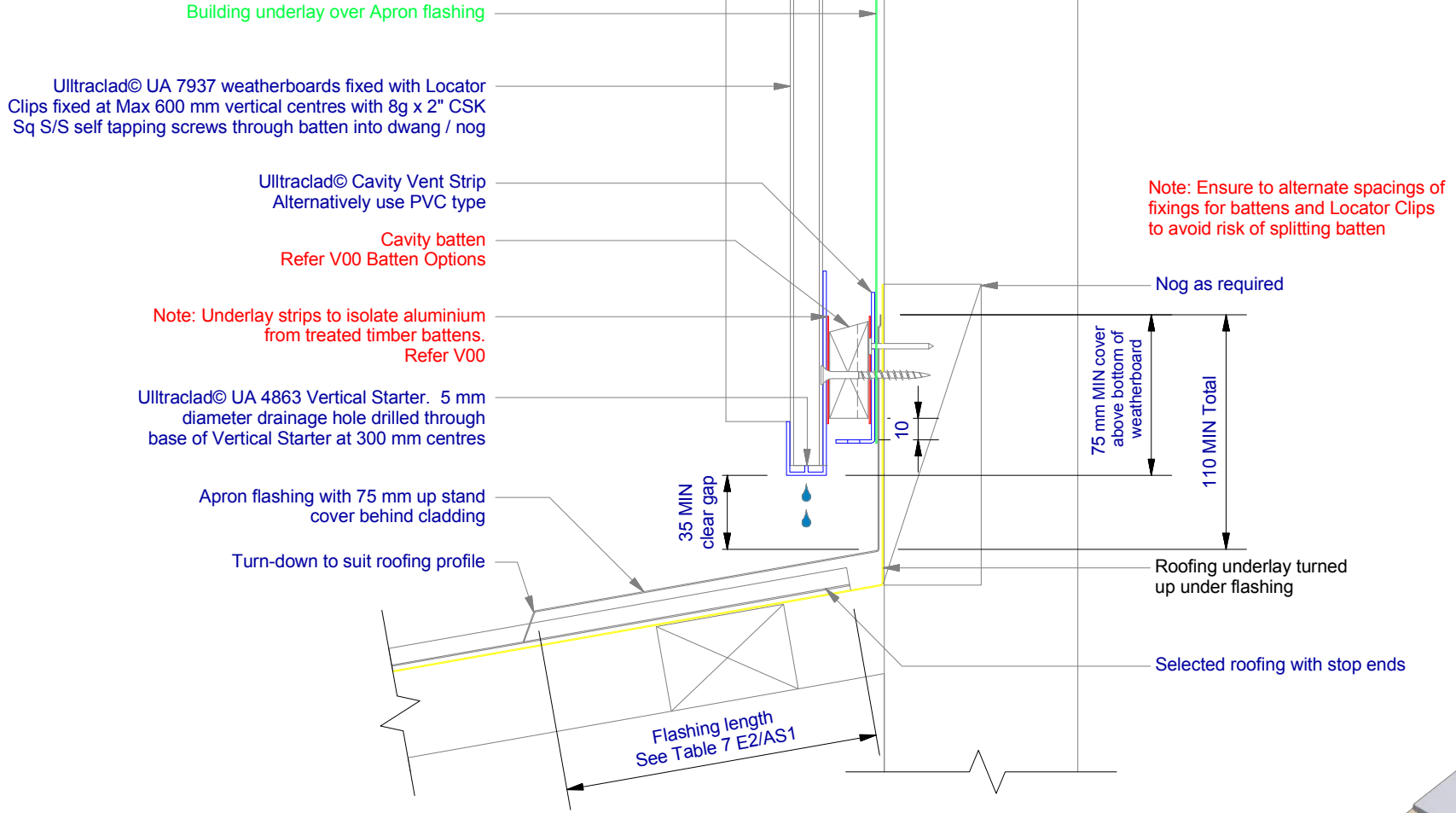
7.5 mm nominal gap

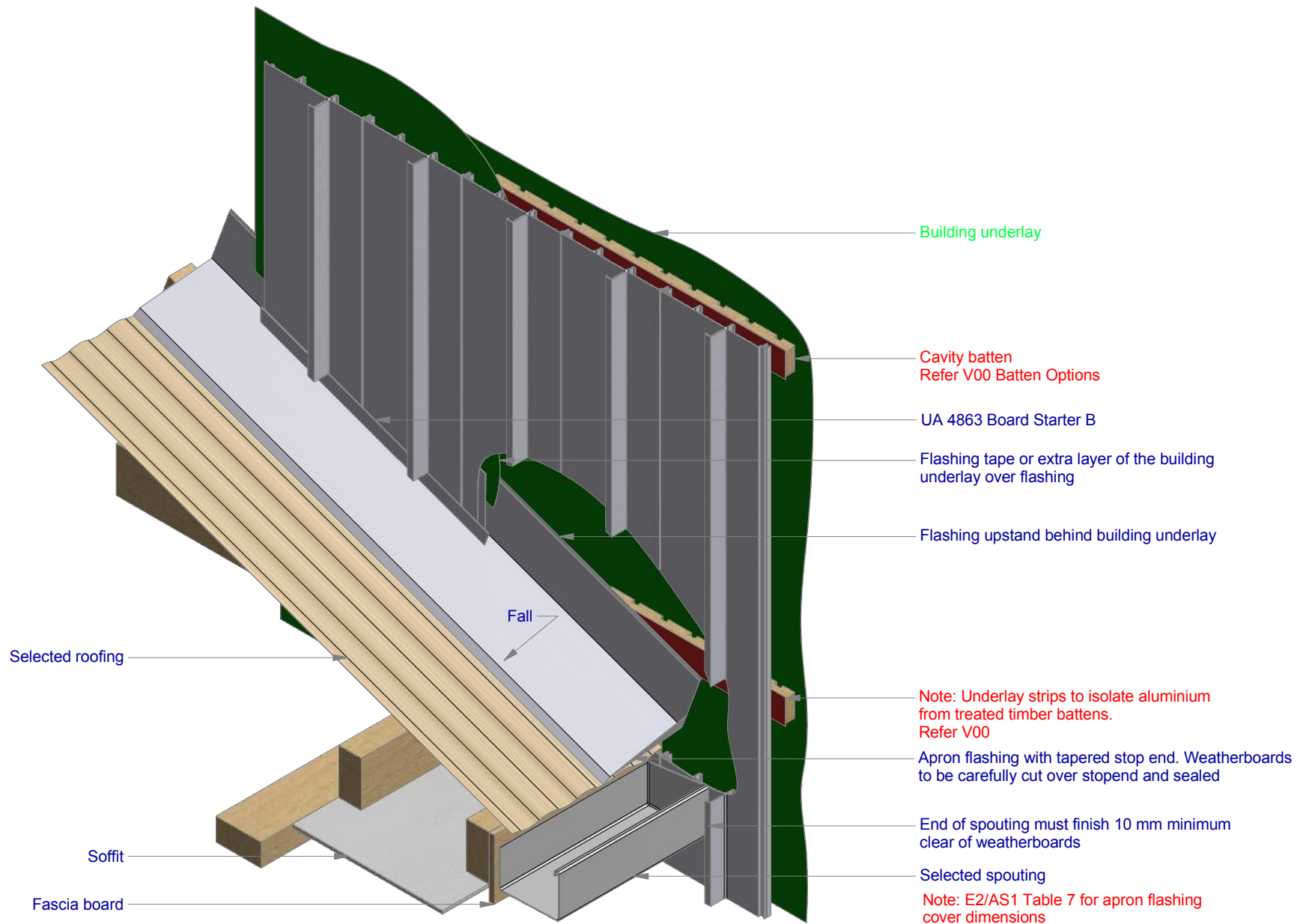
Air seal over PEF Rod around all sides of the meter box

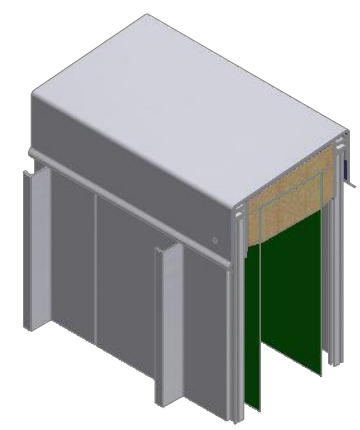
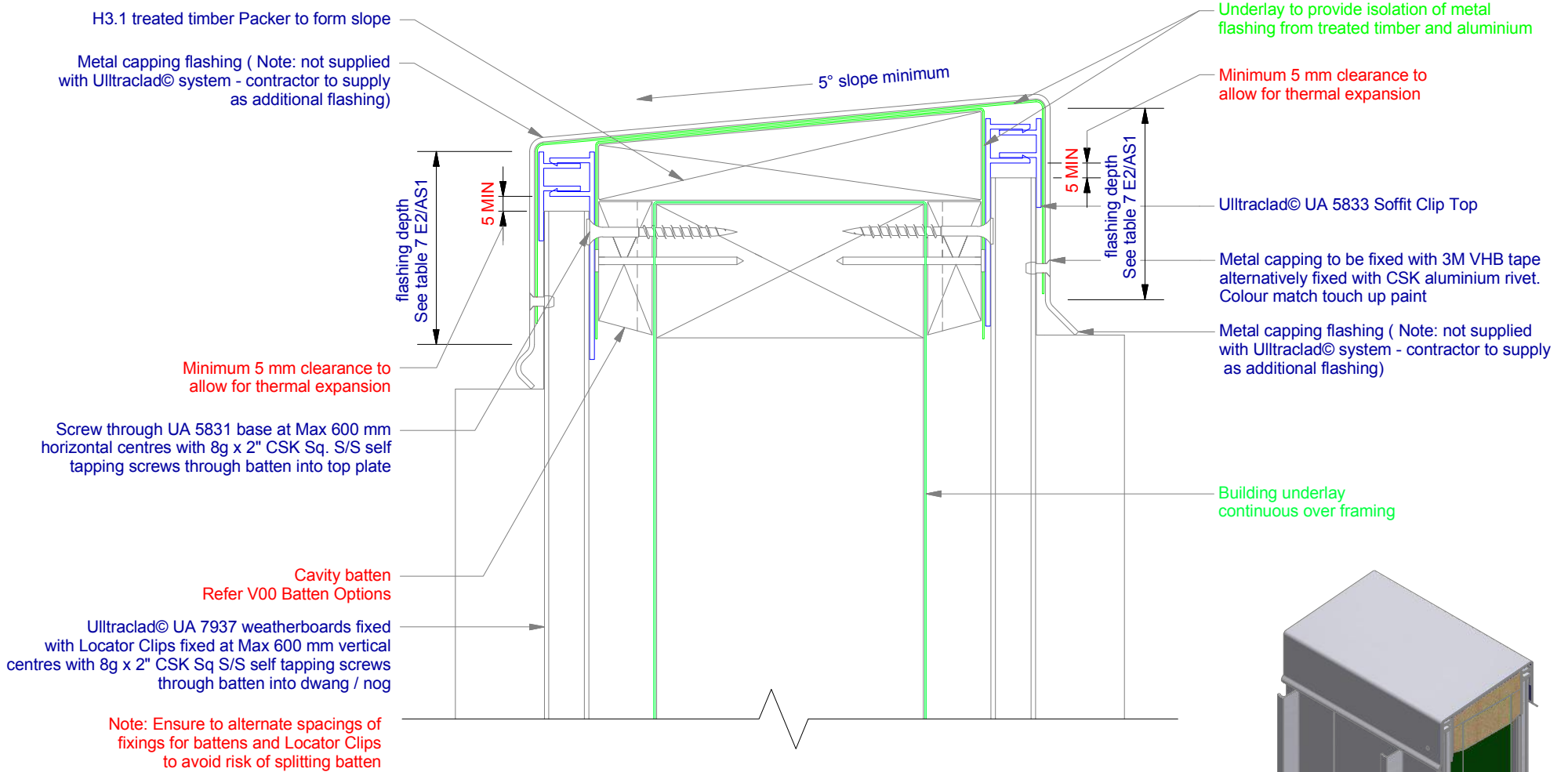
Note: Ensure to alternate spacings of fixings for battens and Locator Clips to avoid risk of splitting batten

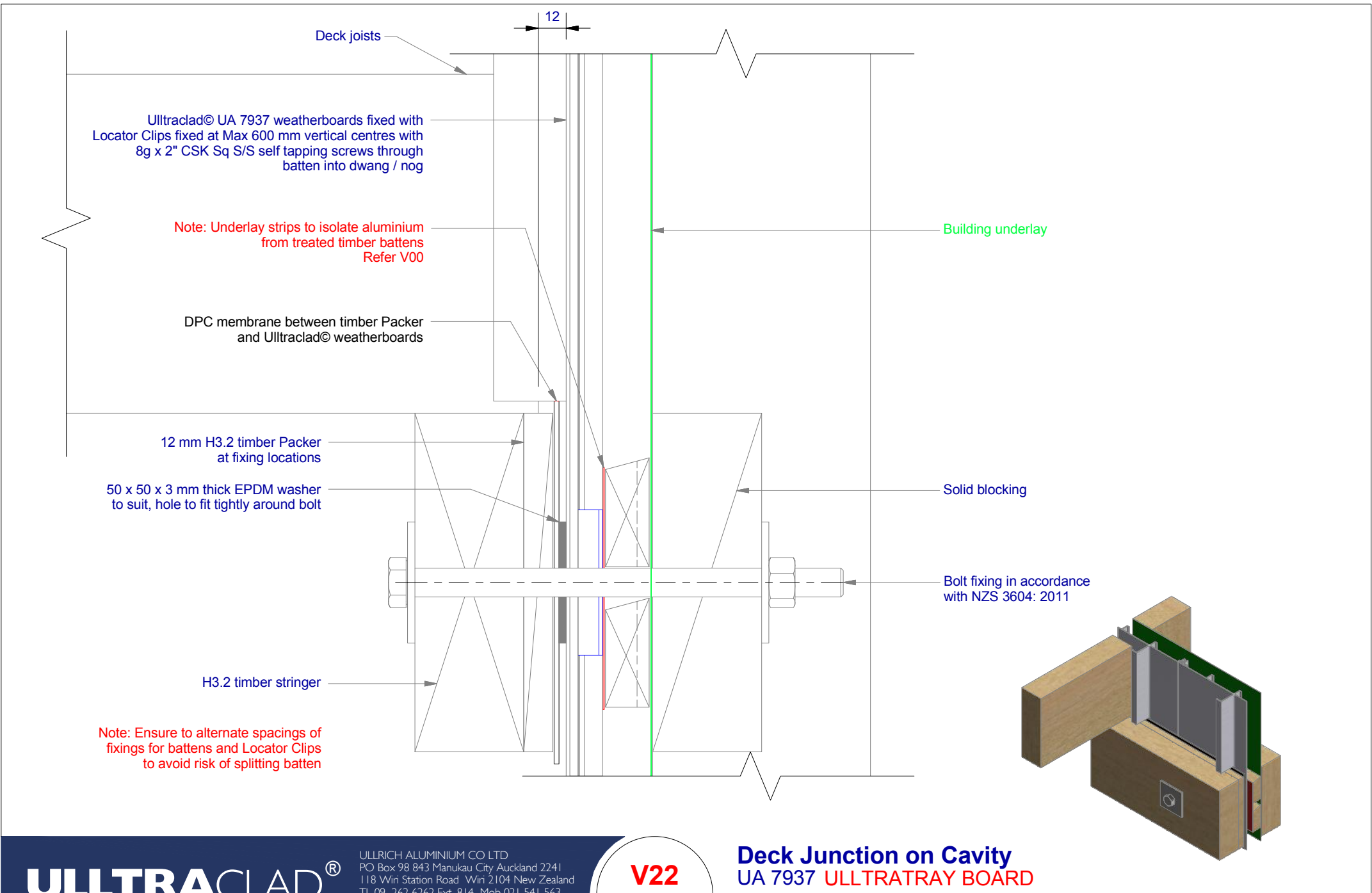












ULLTRACLAD[®]
ALUMINIUM WEATHERBOARDS

ULLRICH ALUMINIUM CO LTD
PO Box 98 843 Manukau City Auckland 2241
118 Wiri Station Road Wiri 2104 New Zealand
TL 09 262 6262 Ext. 814 Mob 021 541 563

www.ulltraclad.co.nz

© ULLRICH ALUMINIUM - All Rights Reserved

V22

Rev : 10

Deck Junction on Cavity
UA 7937 ULLTRATRAY BOARD

VERTICAL CAVITY SYSTEM

Scale: 1 : 2 @ A4 - 2019

Brnz Appraisal #796 2019. (Vertical)

Note: Ensure to alternate spacings of fixings for battens and Locator Clips to avoid risk of splitting batten

Ulltraclad® UA 7937 weatherboards fixed with Locator Clips fixed at Max 600 mm vertical centres with 8g x 2" CSK Sq S/S self tapping screws through batten into dwang / nog

Building underlay

Cavity batten
Refer V00 Batten Options

Flashing tape

Note: Underlay strips to isolate aluminium from treated timber battens
Refer V00

Ulltraclad® UA 4863 Vertical Starter Strip fixed to frame at 300 mm centres with 8g x 2" CSK Sq S/S self tapping screws

Ulltraclad® UA 4863 with 5 mm diameter drainage holes drilled through base of Starter at 300 mm centres

Aluminium inter-storey flashing 15° slope
(Note: not supplied with Ulltraclad® system - contractor to supply as additional flashing)

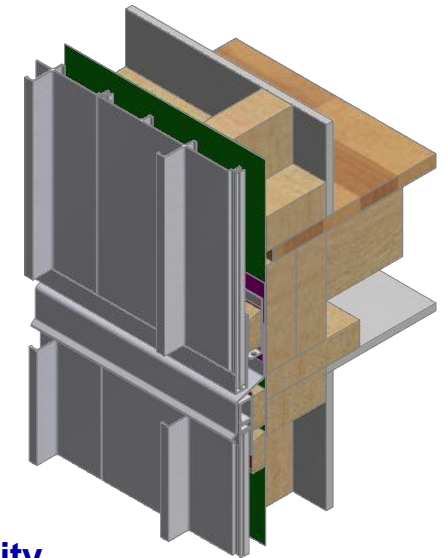
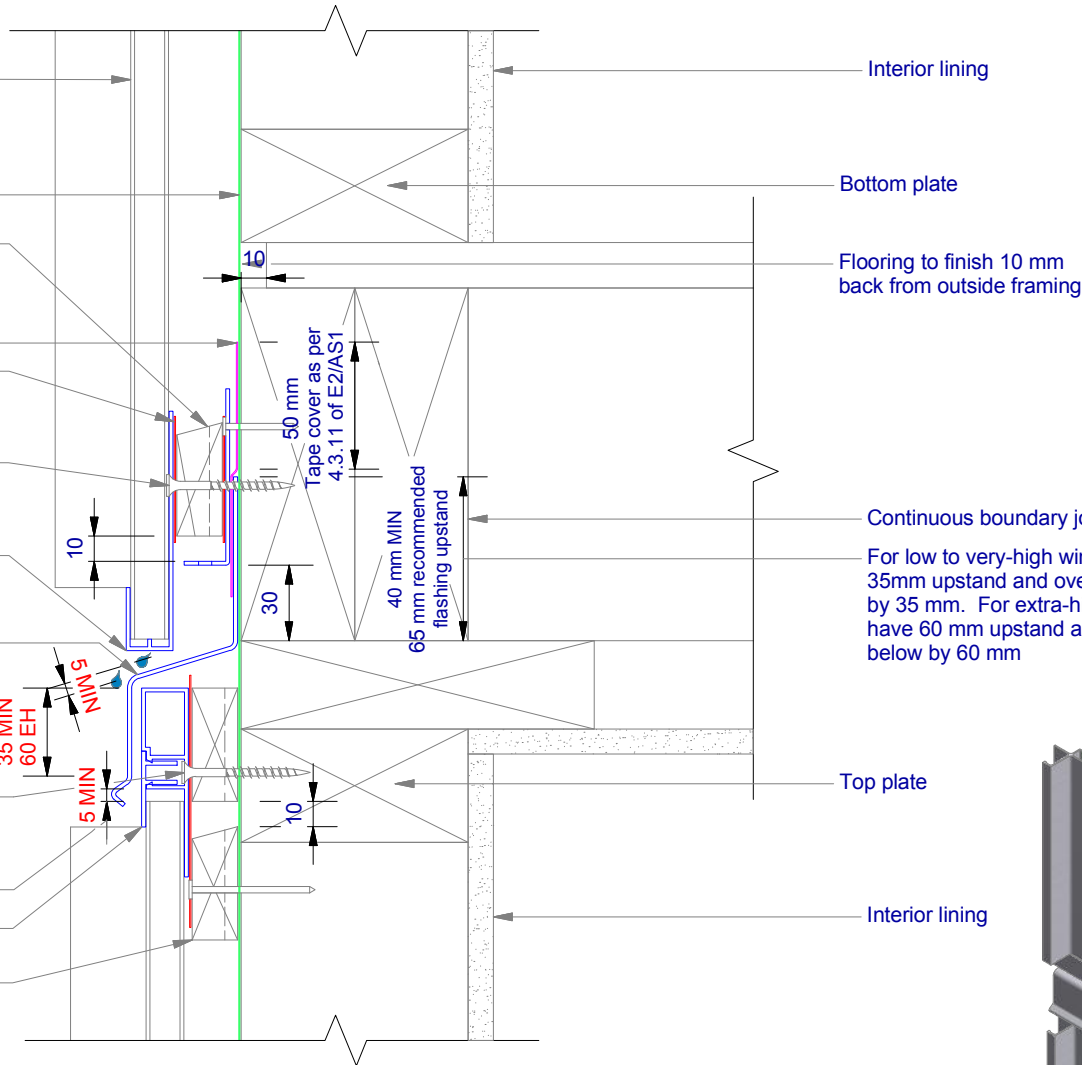
Screw through UA 7584 base at Max 600 mm horizontal centres with 8g x 2" CSK Sq. S/S self tapping screws through batten into frame

Minimum 5 mm clearance to allow for thermal expansion

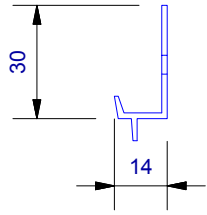
Ulltraclad® UA 5833 Soffit Clip Top

Cavity batten
Refer V00 Batten Options

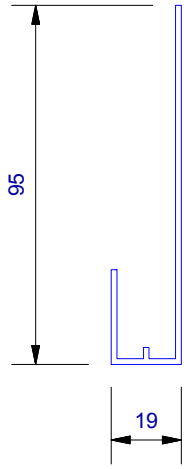
Note: this detail is required to limit cavities to 2 storeys or 7 m Max - Refer E2/AS1 clause 9.1.9.4



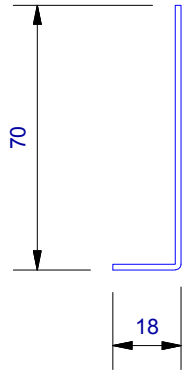
UA 4535
Locator Clip



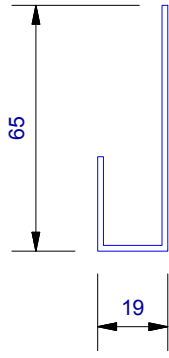
UA 4863
Vertical Board Starter



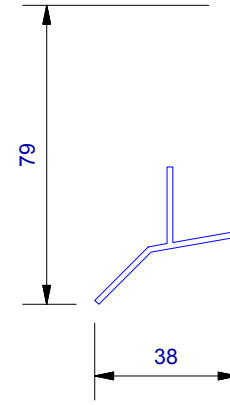
Cavity Vent Strip



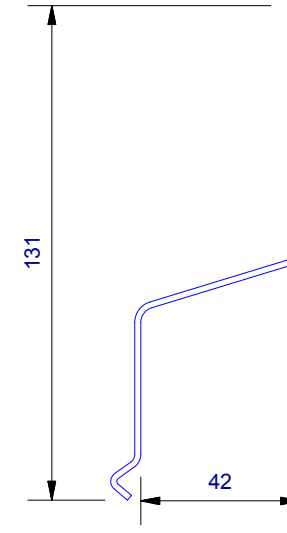
UA 4532
J Moulding



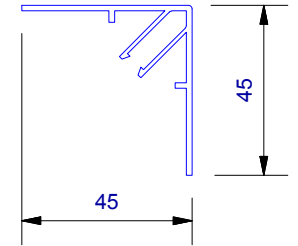
UA 4533
Head Starter



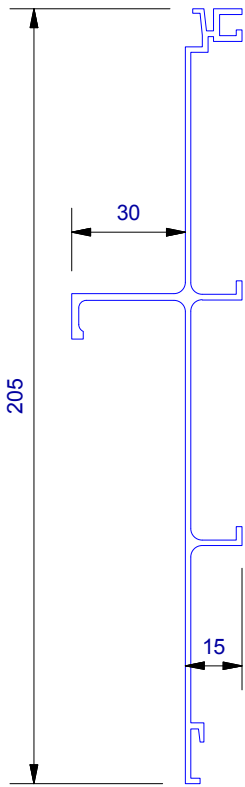
UA 7919
Inter - Storey Flashing



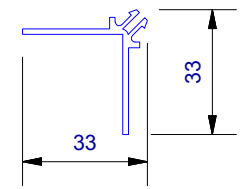
UA 7094
Female Flat Corner



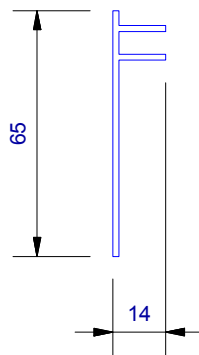
UA 7937
ULLTRATRAY BOARD



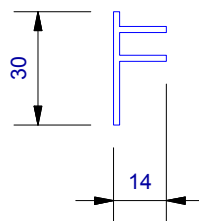
UA 7095
Male Flat Corner



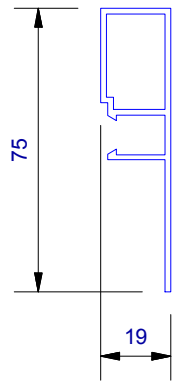
UA 5832
Soffit 65mm Clip Top



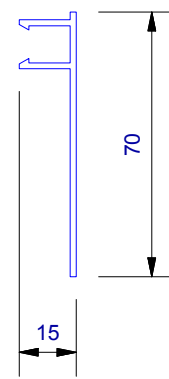
UA 5833
Soffit 30mm Clip Top



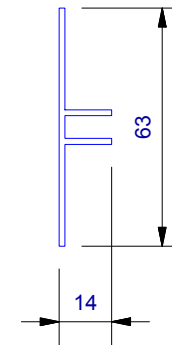
UA 7584
Jamb/Sill Clip Base



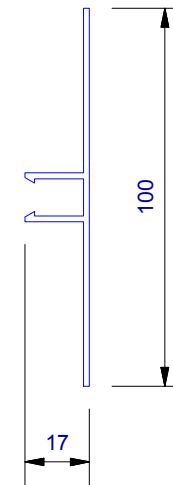
UA 5831
Soffit Clip Base



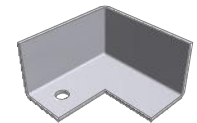
UA 7096
Flat Joints Top



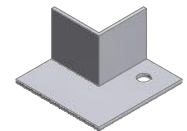
UA 6324
2 Piece Joints Base



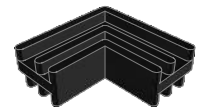
CLADCNRCAP
Corner Cap



CLADCNRCAPI
Internal Corner Cap (1 : 3)



CLADSTAKECNR
Plastic Staking Corner



ULLTRACLAD[®]
ALUMINIUM WEATHERBOARDS

ULLRICH ALUMINIUM CO LTD
PO Box 98 843 Manukau City Auckland 2241
118 Wiri Station Road Wiri 2104 New Zealand
TL 09 262 6262 Ext. 814 Mob 021 541 563
www.ulltraclad.co.nz
© ULLRICH ALUMINIUM - All Rights Reserved

V24

Rev : 10

ULLTRATRAY PROFILES
UA 7937 ULLTRATRAY BOARD

VERTICAL CAVITY SYSTEM
Scale: 1 : 2 @ A4 - 2019

Brnz Appraisal #796 2019. (Vertical)