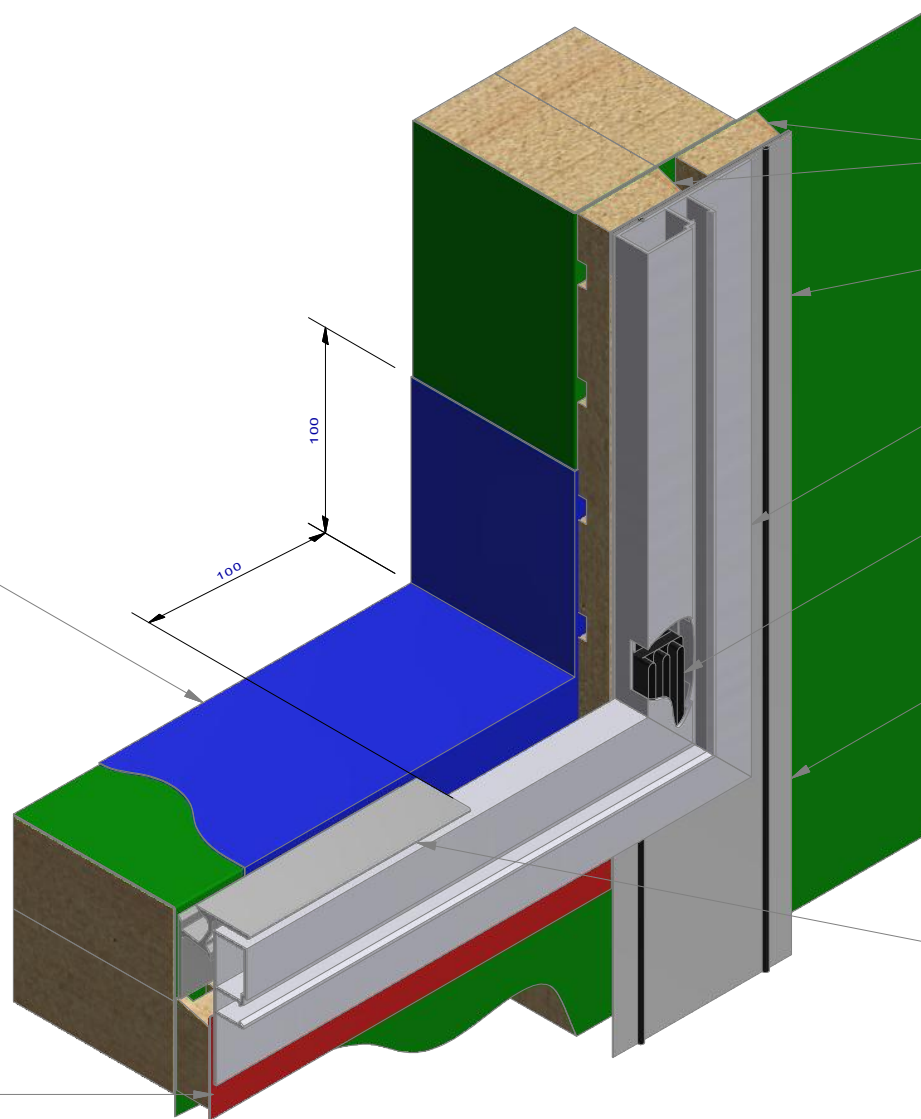


Flexible flashing tape along sill to continue 50 mm onto face of wall and 100 minimum up each Jamb



Cavity battens
Refer V00 Batten Options

Note: Underlay strips to isolate aluminium from treated timber battens
Refer V00

Ulltraclad® UA 7584 Window Jamb / Sill mitred in corners

Corners held together with PVC corner gusset
Part No. CLADSTAKECNR

Building underlay

Vertical track flashing 0.9 mm folded aluminium flashing (hemmed) to Vertical Starter or inter-storey
Alternatively use Dynex Dynaflash

Window support bar for window openings wider than 600 mm. Support bar to comply with E2/AS1 9.1.10.5(v).
Install batten below if required

Note: Underlay strips to isolate aluminium from treated timber battens
Refer V00

ULLTRACLAD®
ALUMINIUM WEATHERBOARDS

ULLRICH ALUMINIUM CO LTD
PO Box 98 843 Manukau City Auckland 2241
118 Wiri Station Road Wiri 2104 New Zealand
TL 09 262 6262 Ext. 814 Mob 021 541 563

www.ulltraclad.co.nz

© ULLRICH ALUMINIUM - All Rights Reserved

V11

Rev : 10

Sill-Jamb on Cavity
UA 7937 ULLTRATRAY BOARD

VERTICAL CAVITY SYSTEM

Scale: 1 : 3 @ A4 - 2019

Brnz Appraisal #796 2019. (Vertical)