

UA7923 ULLTRALINE BOARD VERTICAL CAVITY SYSTEM

REV: 10 2019

- V00 : Wall Batten Elevation
- V01 : External Corner on Cavity
- V02 : Internal Corner on Cavity
- V03 : 90° deg Corner Cap
- V04 : Vertical Wall Starter
- V05 : No Soffit Detail on Cavity
- V06 : Soffit Detail on Cavity
- V07 : Timber Floor on Cavity
- V08 : Window Head on Cavity
- V09 : Window Jam on Cavity
- V10 : Window Sill on Cavity
- V11 : Sill-Jamb on Cavity
- V12 : Head flashing / Head Starter / Jamb iso
- V13 : Head - Jamb iso
- V14 : Head - Jamb Notching Details
- V15 : Meter Box Head on Cavity
- V16 : Meter Box Jamb on Cavity
- V17 : Meter Box Sill on Cavity
- V18 : Pipe Penetration on Cavity
- V19 : Roof-Wall Junction on Cavity
- V20 : Gutter Wall Junction on Cavity
- V21 : Parapet on Cavity
- V22 : Deck Junction on Cavity
- V23 : Inter-Storey Junction on Cavity
- V24 : Ulltraline Board Profiles

ULLTRACLAD[®]
ALUMINIUM WEATHERBOARDS

ULLRICH ALUMINIUM CO LTD
PO Box 98 843 Manukau City Auckland 2241
118 Wiri Station Road Wiri 2104 New Zealand
TL 09 262 6262 Ext. 814 Mob 021 541 563

www.ulltraclad.co.nz

© ULLRICH ALUMINIUM - All Rights Reserved

VER

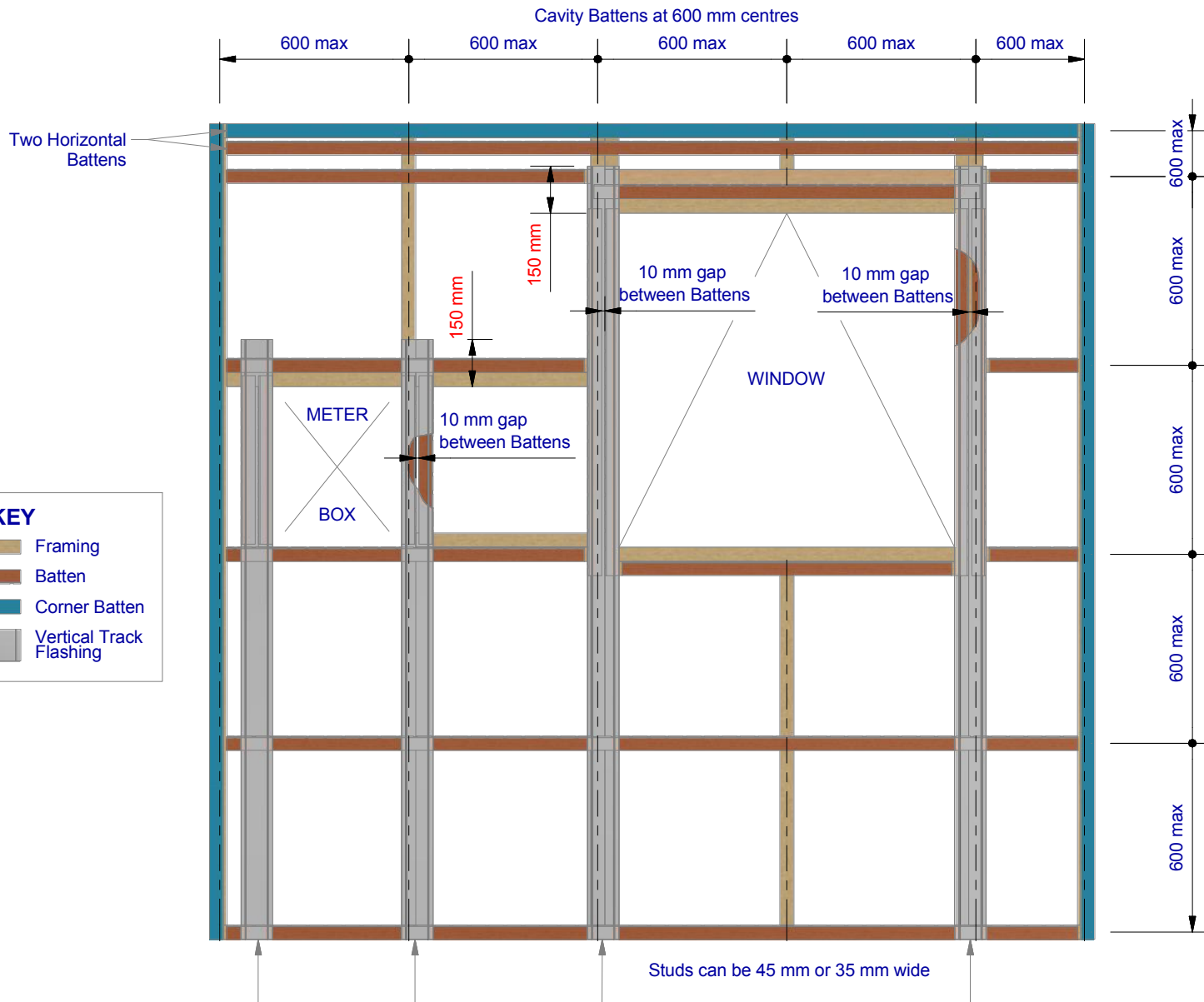
Rev : 10

UA 7923 ULLTRALINE BOARD




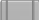
VERTICAL CAVITY SYSTEM

Scale: 1 : 1 @ A4 - 2019

Brnz Appraisal #796 2019. (Vertical)



KEY

	Framing
	Batten
	Corner Batten
	Vertical Track Flashing

Batten options

1. Treated timber battens should have castellated profile to permit air passage and minimum 15° slope edge to shed water.

Impervious barrier (MDPE) or similar tape between cladding and batten.
To comply with NZBC E2/AS1 - Table 23.

Note:
Some machining of vertical battens may be required to avoid "build up".
i.e. back flashings / tapes

2. Cavity plastic Batten

Note:
packing/shims may be needed to ensure boards are fitted flat without distortion.

* Additional timber may be required at soffit to support UA 5831 Soffit Base.

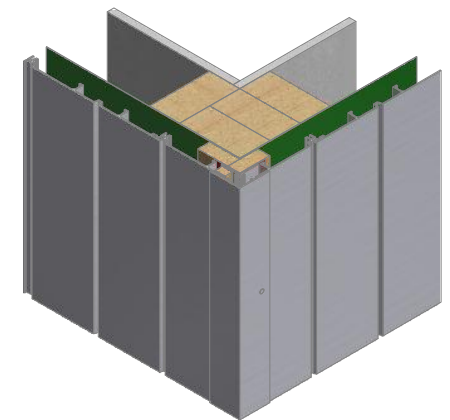
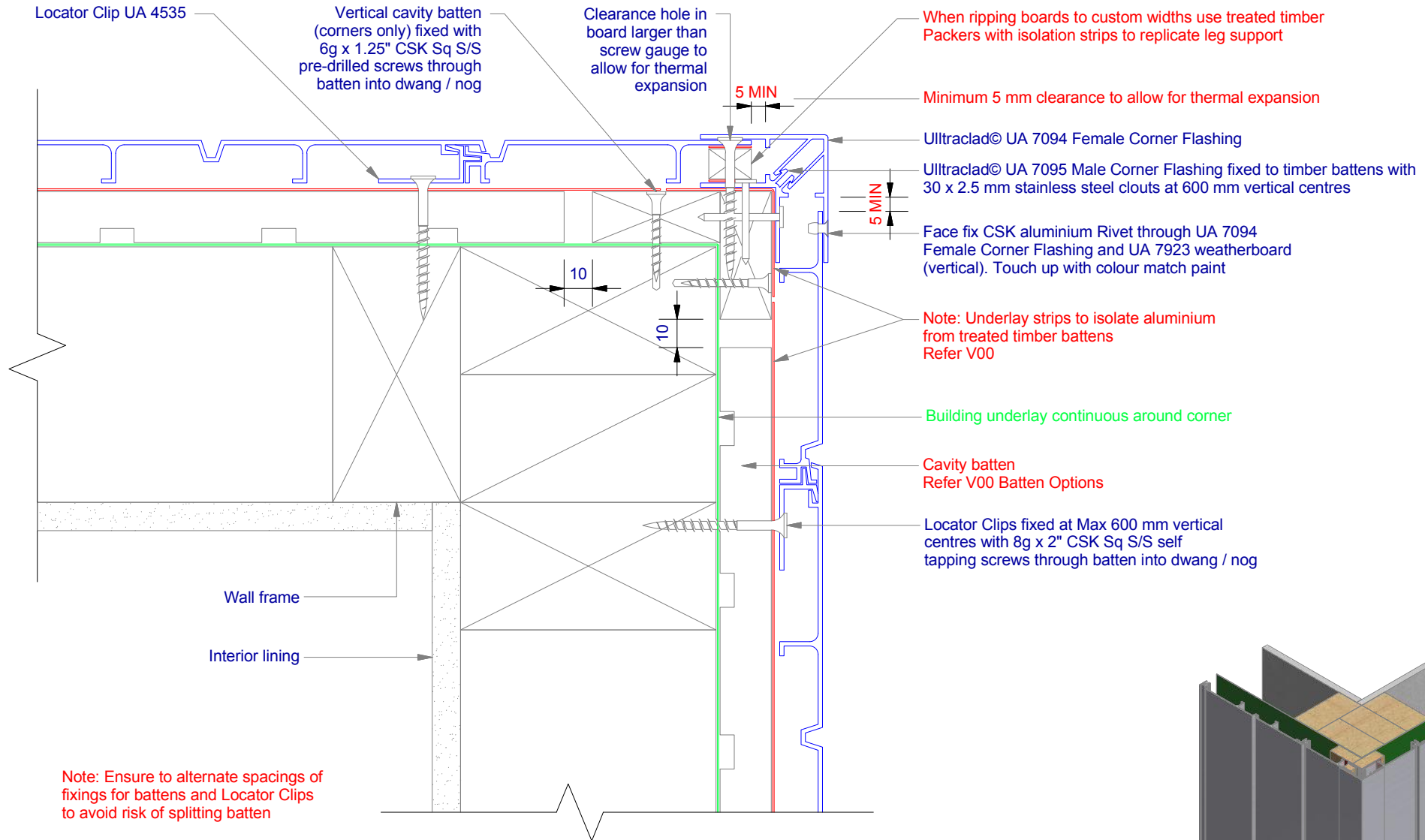
Note: Important

Underlay strips to isolate aluminium from treated timber battens 50 mm wide medium density polyethylene (MDPE)

To comply with NZBC E2/AS1 - Table 23. Properties of roofing underlays and wall underlays, separates aluminium components and accessories from timber battens treated with copper-based treatments.

Cavity closers required as per NZBC E2/AS1 (section 9.1.8)

0.9 x 90mm Aluminium Track Flashing.
Alternatively use Dynex Dynafash.



ULLTRACLAD®
ALUMINIUM WEATHERBOARDS

ULLRICH ALUMINIUM CO LTD
PO Box 98 843 Manukau City Auckland 2241
118 Wiri Station Road Wiri 2104 New Zealand
TL 09 262 6262 Ext. 814 Mob 021 541 563

www.ulltraclad.co.nz

© ULLRICH ALUMINIUM - All Rights Reserved

V01

Rev : 10

External Corner on Cavity
UA 7923 ULLTRALINE BOARD

VERTICAL CAVITY SYSTEM

Scale: 1 : 2 @ A4 - 2019

Brnz Appraisal #796 2019. (Vertical)

Ulltraclad® UA 7922 weatherboard (vertical)

Locator Clips fixed at Max 600 mm vertical centres with 8g x 2" CSK Sq S/S self tapping screws through batten into dwang / nog

Ulltraclad® UA 7094 Female Corner Flashing fixed to timber battens with 30 x 2.5 mm stainless steel clouts at 600 mm vertical centres

Face fix CSK aluminium Rivet through UA 7095 Male Corner Flashing and UA 7923 weatherboard (vertical). Touch up with colour match paint

Minimum 5 mm clearance to allow for thermal expansion

Clearance hole in board larger than screw gauge to allow for thermal expansion

Ulltraclad® UA 7095 Male Corner Flashing

When ripping boards to custom widths use treated timber packers with isolation strips to replicate leg support

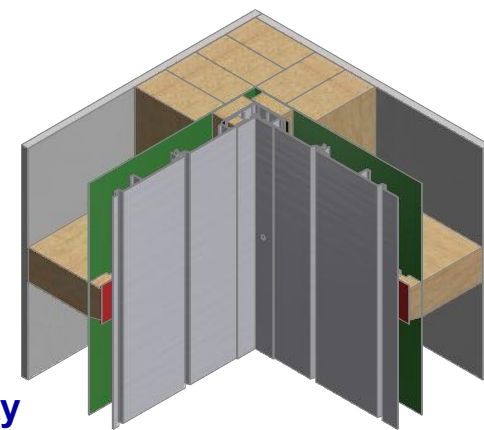
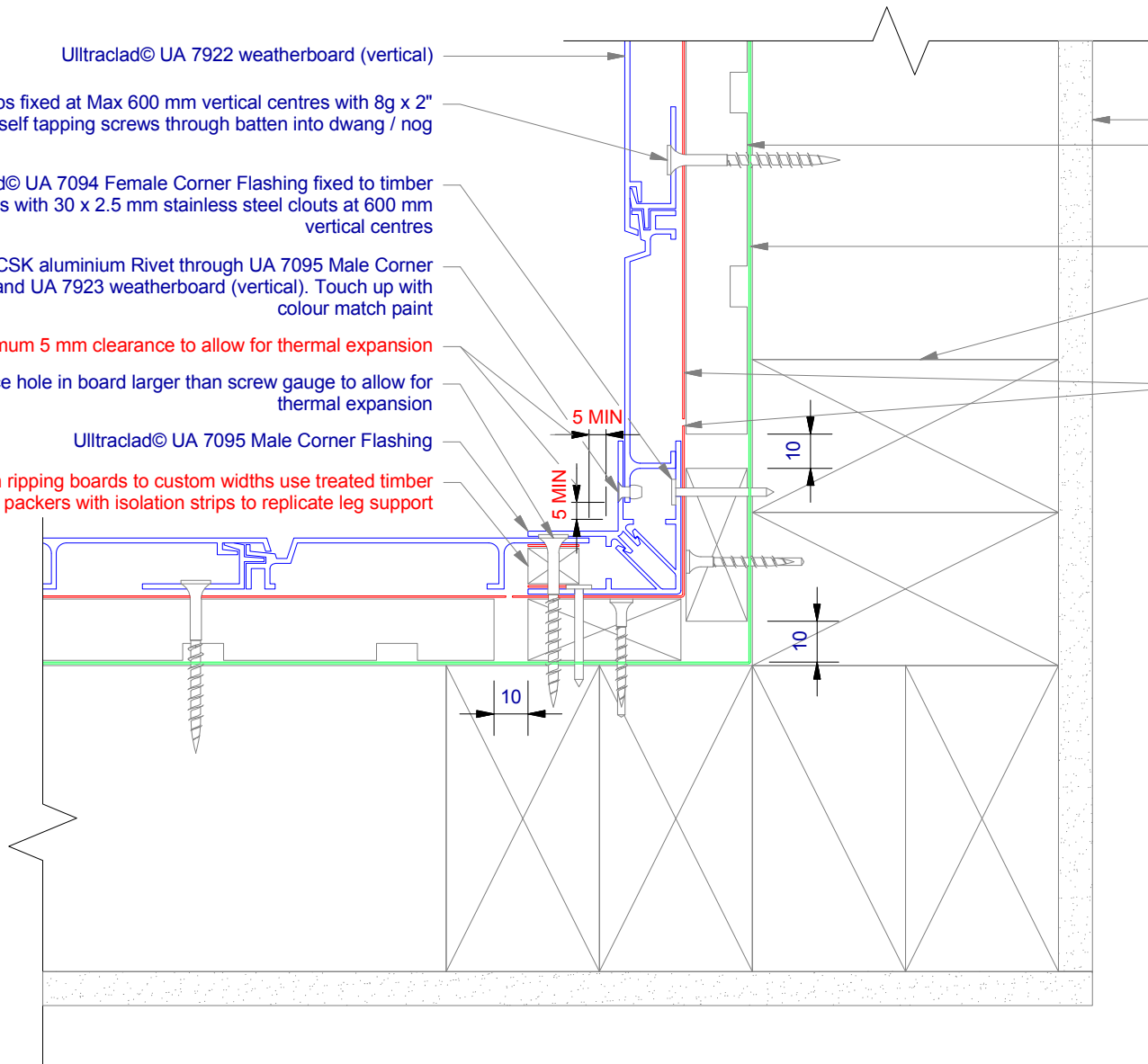
Interior lining
Cavity batten
Refer V00 Batten Options

Building underlay continuous around corner

Note: double stud required at internal corners

Note: Underlay strips to isolate aluminium from treated timber battens
Refer V00

Note: Ensure to alternate spacings of fixings for battens and Locator Clips to avoid risk of splitting batten



ULLTRACLAD®
ALUMINIUM WEATHERBOARDS

ULLRICH ALUMINIUM CO LTD
PO Box 98 843 Manukau City Auckland 2241
118 Wiri Station Road Wiri 2104 New Zealand
TL 09 262 6262 Ext. 814 Mob 021 541 563

www.ulltraclad.co.nz
© ULLRICH ALUMINIUM - All Rights Reserved

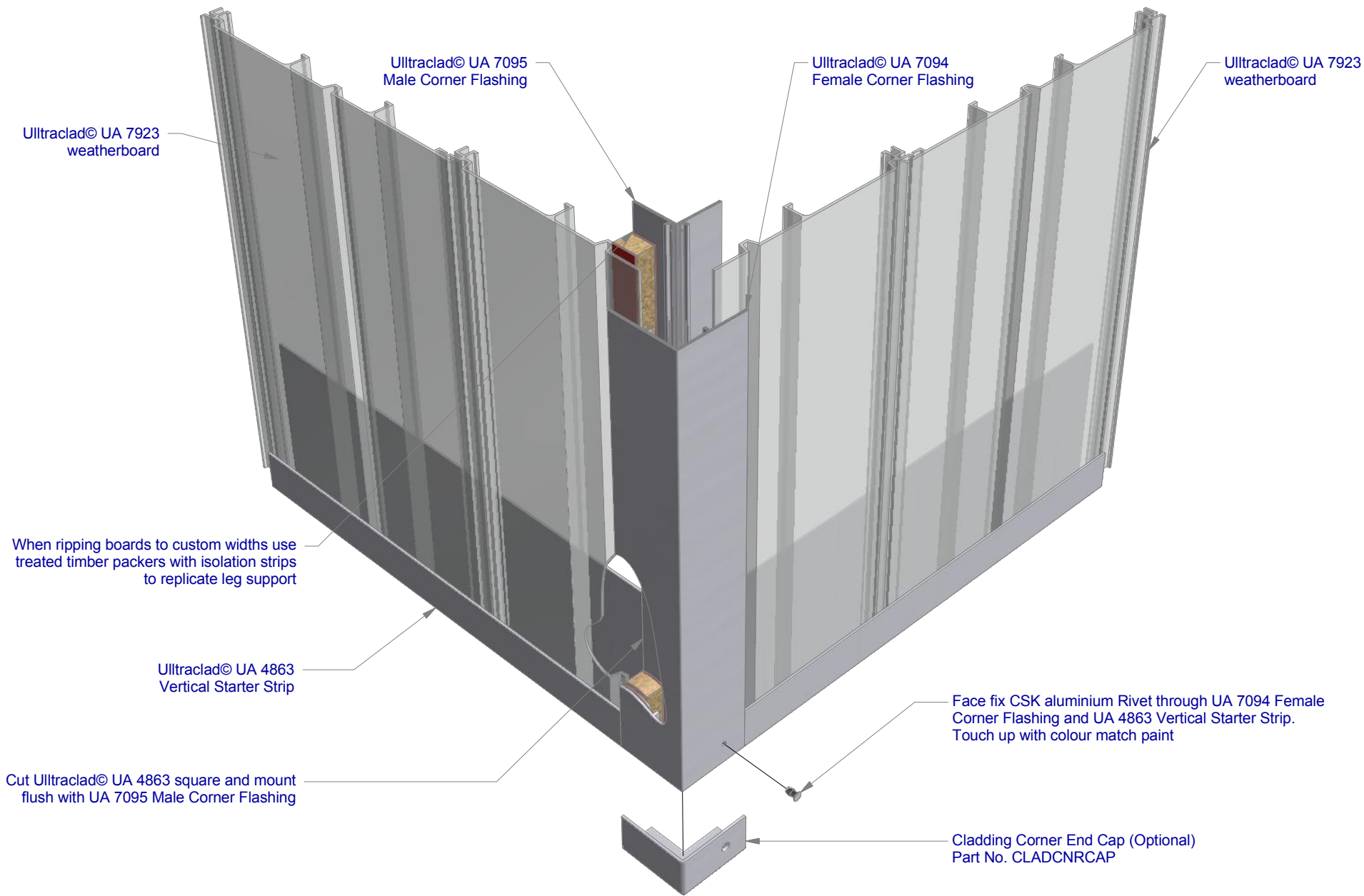
V02

Rev : 10

Internal Corner on Cavity
UA 7923 ULLTRALINE BOARD

VERTICAL CAVITY SYSTEM
Scale: 1 : 2 @ A4 - 2019

Brnz Appraisal #796 2019. (Vertical)



Ulltraclad® UA 7923 weatherboards fixed with Locator Clips fixed at Max 600 mm vertical centres with 8g x 2" CSK Sq S/S self tapping screws through batten into dwang / nog

Note: Underlay strips to isolate aluminium from treated timber battens Refer V00

Cavity batten Refer V00 Batten Options

Ulltraclad® UA 4863 Vertical Starter Strip fixed to bottom plate at 300 mm centres with 8g x 2" CSK Sq S/S self tapping screws

Ulltraclad® Cavity Vent Strip Alternatively use PVC type

Ulltraclad® UA 4863 with 5 mm diameter drainage holes drilled through base of Starter at 300 mm centres

Note: 100 mm minimum to permanent paving or 175 mm to unpaved ground to clause 9.1.3 of E2/AS1

Concrete slab or Blockwork

Finished ground level

Building underlay

Interior lining

Bottom plate over DPC

Note: Ensure to alternate spacings of fixings for battens and Locator Clips to avoid risk of splitting batten

6 mm overhang (optional)

50

100

ULLTRACLAD[®]
ALUMINIUM WEATHERBOARDS

ULLRICH ALUMINIUM CO LTD
PO Box 98 843 Manukau City Auckland 2241
118 Wiri Station Road Wiri 2104 New Zealand
TL 09 262 6262 Ext. 814 Mob 021 541 563

www.ulltraclad.co.nz

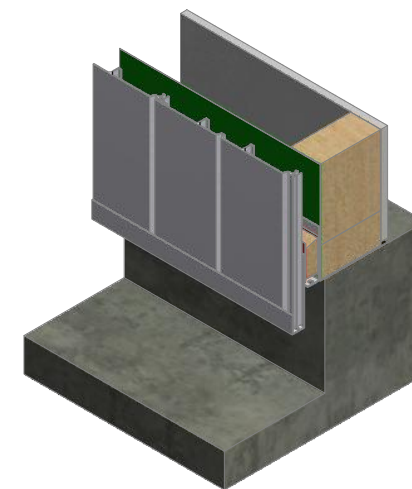
© ULLRICH ALUMINIUM - All Rights Reserved

V04

Rev : 10

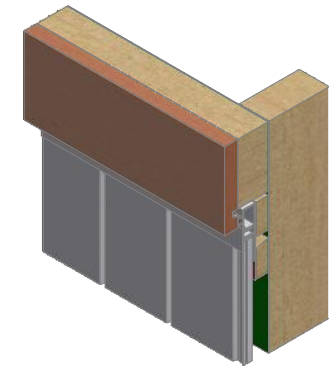
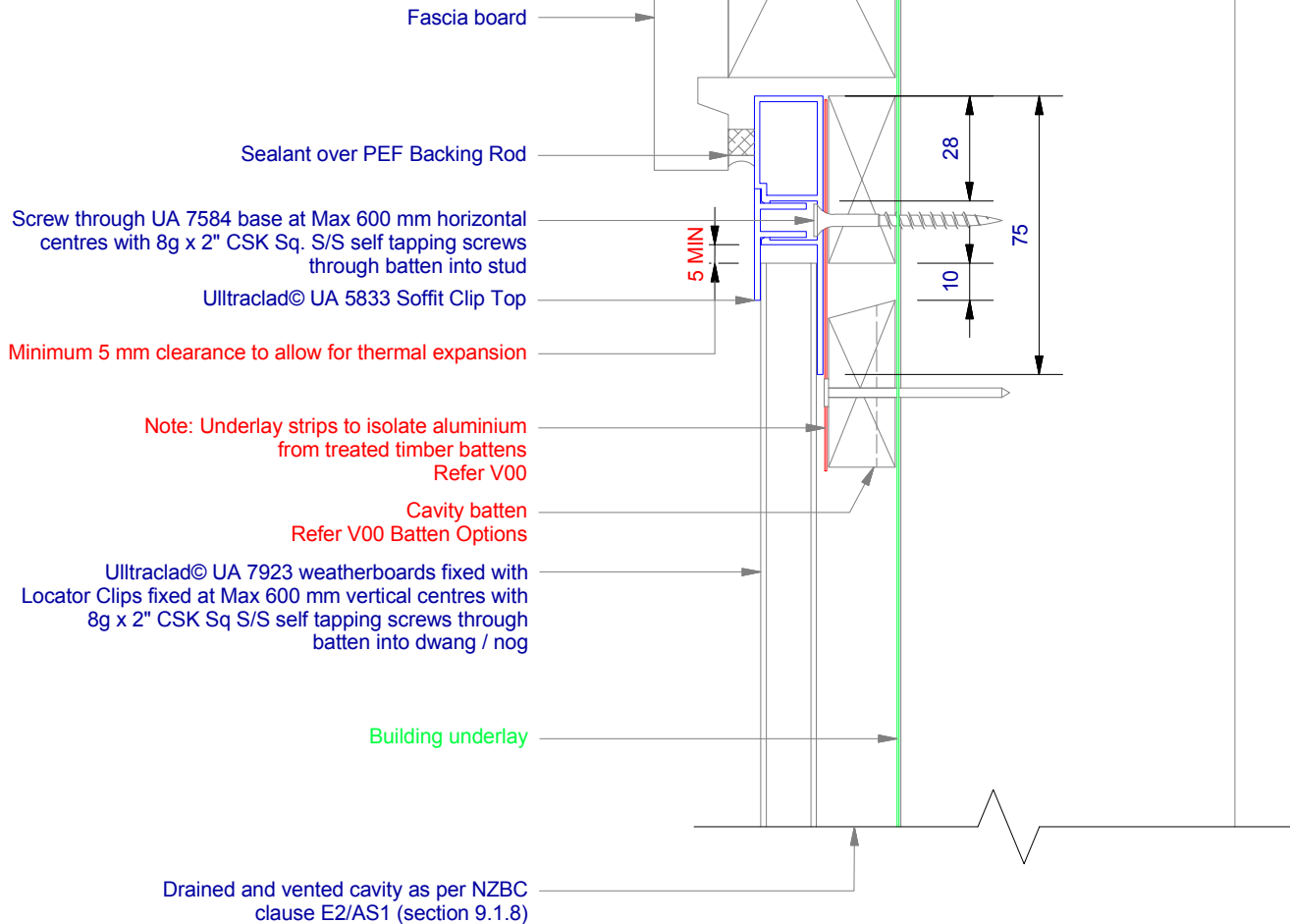
Vertical Wall Starter
UA 7923 ULLTRALINE BOARD

VERTICAL CAVITY SYSTEM
Scale: 1 : 2 @ A4 - 2019



Brnz Appraisal #796 2019. (Vertical)

Note: Ensure to alternate spacings of fixings for battens and Locator Clips to avoid risk of splitting batten



ULLTRACLAD[®]
ALUMINIUM WEATHERBOARDS

ULLRICH ALUMINIUM CO LTD
PO Box 98 843 Manukau City Auckland 2241
118 Wiri Station Road Wiri 2104 New Zealand
TL 09 262 6262 Ext. 814 Mob 021 541 563

www.ulltraclad.co.nz
© ULLRICH ALUMINIUM - All Rights Reserved

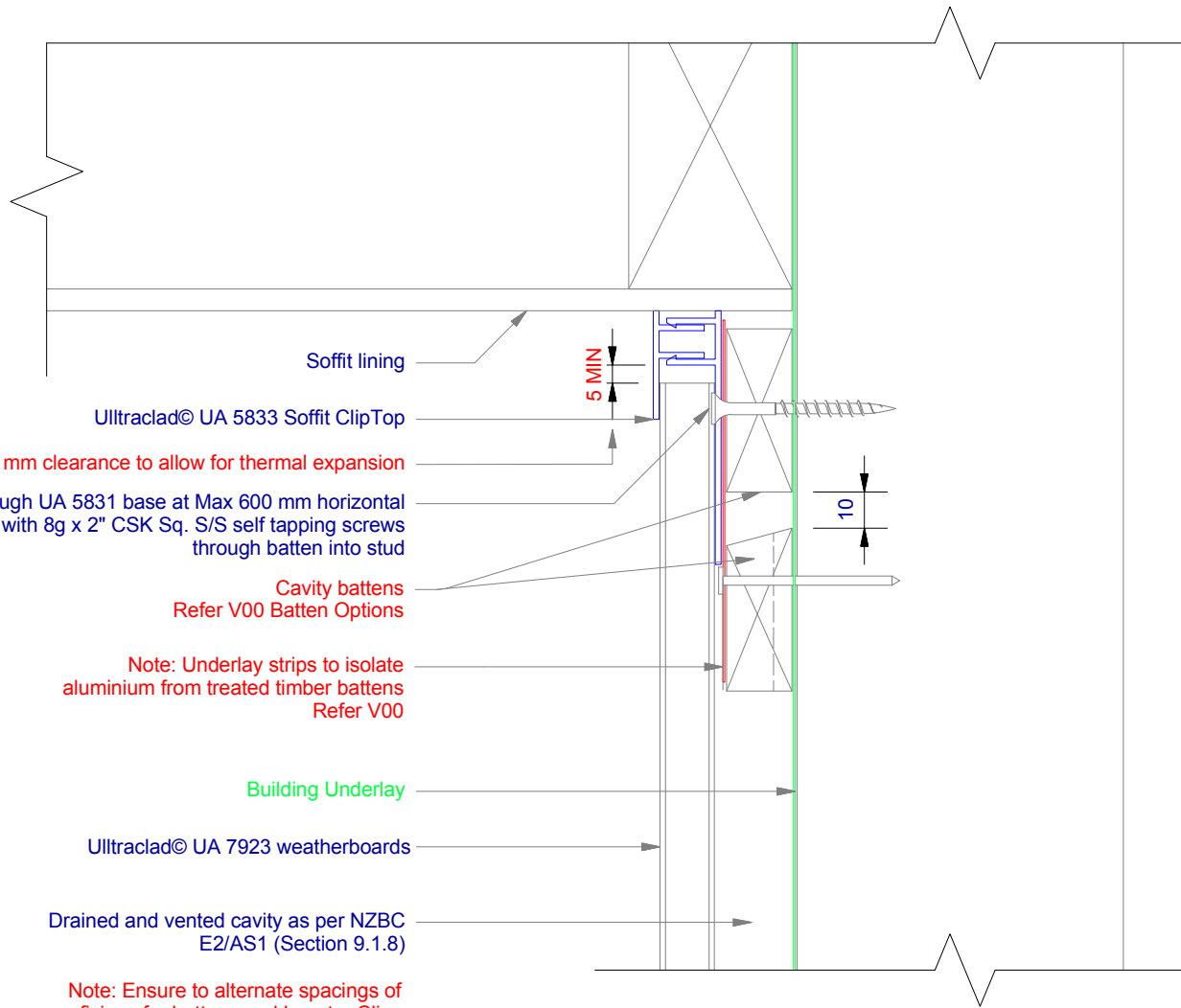
V05

Rev : 10

No Soffit Detail on Cavity
UA 7923 ULLTRALINE BOARD

VERTICAL CAVITY SYSTEM
Scale: 1 : 2 @ A4 - 2019

Brnz Appraisal #796 2019. (Vertical)



Minimum 5 mm clearance to allow for thermal expansion

Screw through UA 5831 base at Max 600 mm horizontal centres with 8g x 2" CSK Sq. S/S self tapping screws through batten into stud

Cavity battens
Refer V00 Batten Options

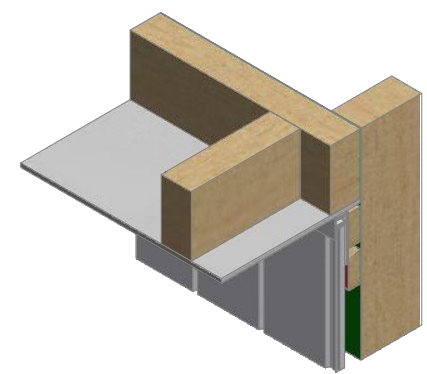
Note: Underlay strips to isolate aluminium from treated timber battens
Refer V00

Building Underlay

Ulltraclad UA 7923 weatherboards

Drained and vented cavity as per NZBC E2/AS1 (Section 9.1.8)

Note: Ensure to alternate spacings of fixings for battens and Locator Clips to avoid risk of splitting batten



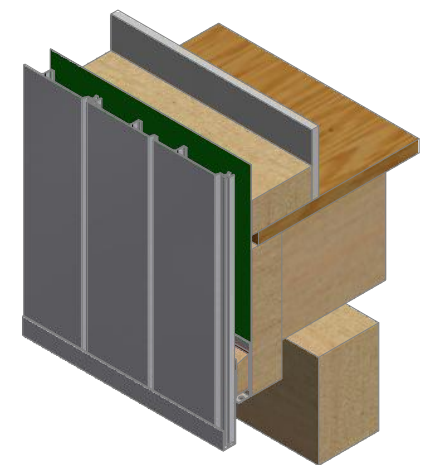
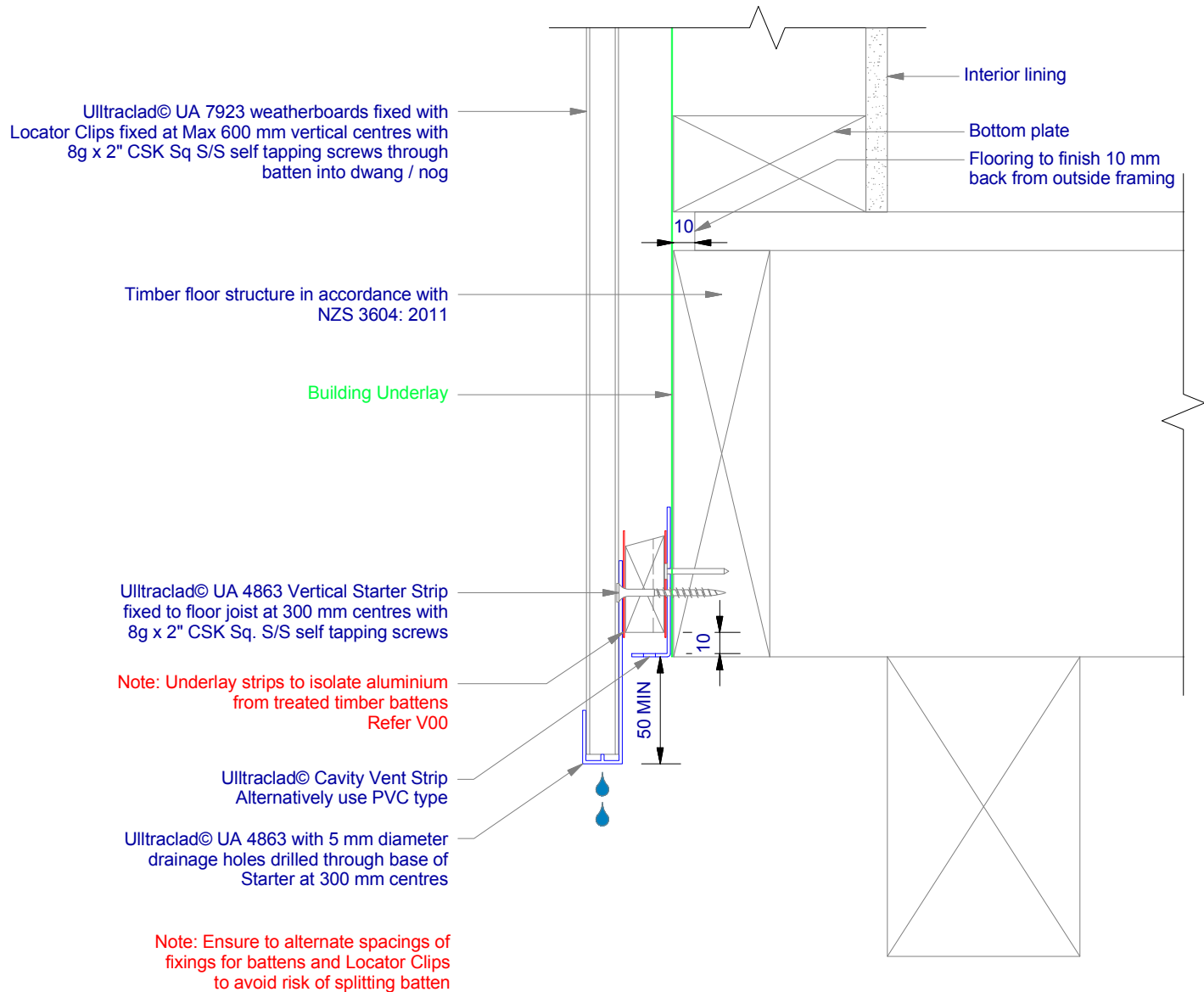
ULLTRACLAD[®]
ALUMINIUM WEATHERBOARDS

ULLRICH ALUMINIUM CO LTD
PO Box 98 843 Manukau City Auckland 2241
118 Wiri Station Road Wiri 2104 New Zealand
TL 09 262 6262 Ext. 814 Mob 021 541 563
www.ulltraclad.co.nz
© ULLRICH ALUMINIUM - All Rights Reserved

V06
Rev : 10

Soffit Detail on Cavity
UA 7923 ULLTRALINE BOARD
VERTICAL CAVITY SYSTEM
Scale: 1 : 2 @ A4 - 2019

Brnz Appraisal #796 2019. (Vertical)



ULLTRACLAD®
ALUMINIUM WEATHERBOARDS

ULLRICH ALUMINIUM CO LTD
PO Box 98 843 Manukau City Auckland 2241
118 Wiri Station Road Wiri 2104 New Zealand
TL 09 262 6262 Ext. 814 Mob 021 541 563

www.ulltraclad.co.nz

© ULLRICH ALUMINIUM - All Rights Reserved

V07

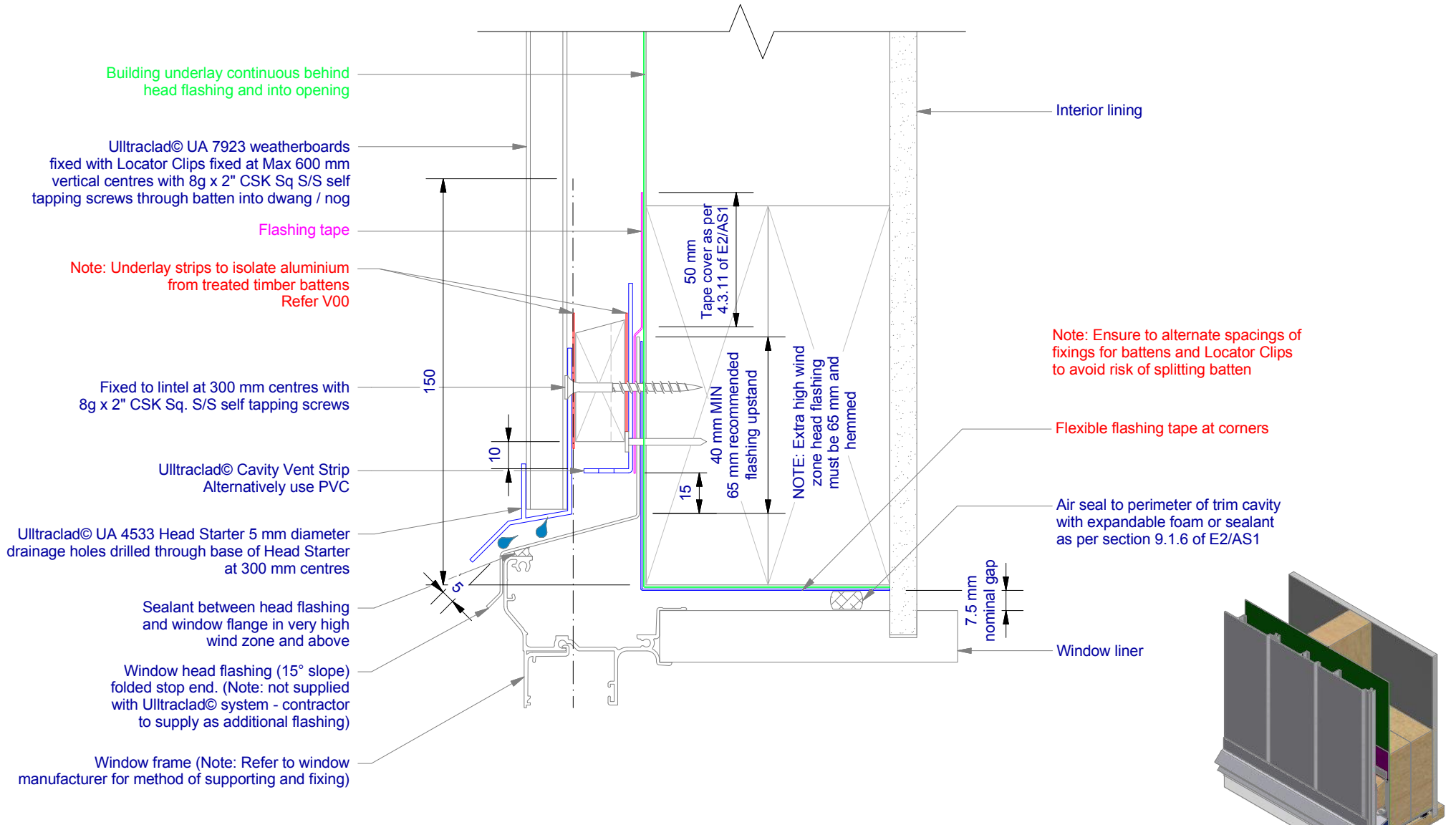
Rev : 10

Timber Floor on Cavity
UA 7923 ULLTRALINE BOARD

VERTICAL CAVITY SYSTEM

Scale: 1 : 3 @ A4 - 2019

Brnz Appraisal #796 2019. (Vertical)



Building underlay continuous behind head flashing and into opening

Ulltraclad® UA 7923 weatherboards fixed with Locator Clips fixed at Max 600 mm vertical centres with 8g x 2" CSK Sq S/S self tapping screws through batten into dwang / nog

Flashing tape

Note: Underlay strips to isolate aluminium from treated timber battens Refer V00

Fixed to lintel at 300 mm centres with 8g x 2" CSK Sq. S/S self tapping screws

Ulltraclad® Cavity Vent Strip Alternatively use PVC

Ulltraclad® UA 4533 Head Starter 5 mm diameter drainage holes drilled through base of Head Starter at 300 mm centres

Sealant between head flashing and window flange in very high wind zone and above

Window head flashing (15° slope) folded stop end. (Note: not supplied with Ulltraclad® system - contractor to supply as additional flashing)

Window frame (Note: Refer to window manufacturer for method of supporting and fixing)

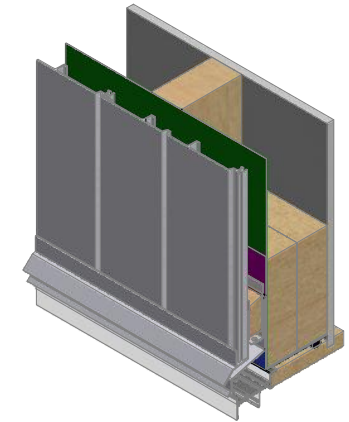
Interior lining

Note: Ensure to alternate spacings of fixings for battens and Locator Clips to avoid risk of splitting batten

Flexible flashing tape at corners

Air seal to perimeter of trim cavity with expandable foam or sealant as per section 9.1.6 of E2/AS1

Window liner



ULLTRACLAD®
ALUMINIUM WEATHERBOARDS

ULLRICH ALUMINIUM CO LTD
PO Box 98 843 Manukau City Auckland 2241
118 Wiri Station Road Wiri 2104 New Zealand
TL 09 262 6262 Ext. 814 Mob 021 541 563

www.ulltraclad.co.nz

© ULLRICH ALUMINIUM - All Rights Reserved

V08

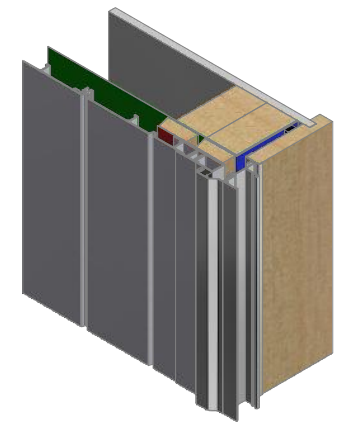
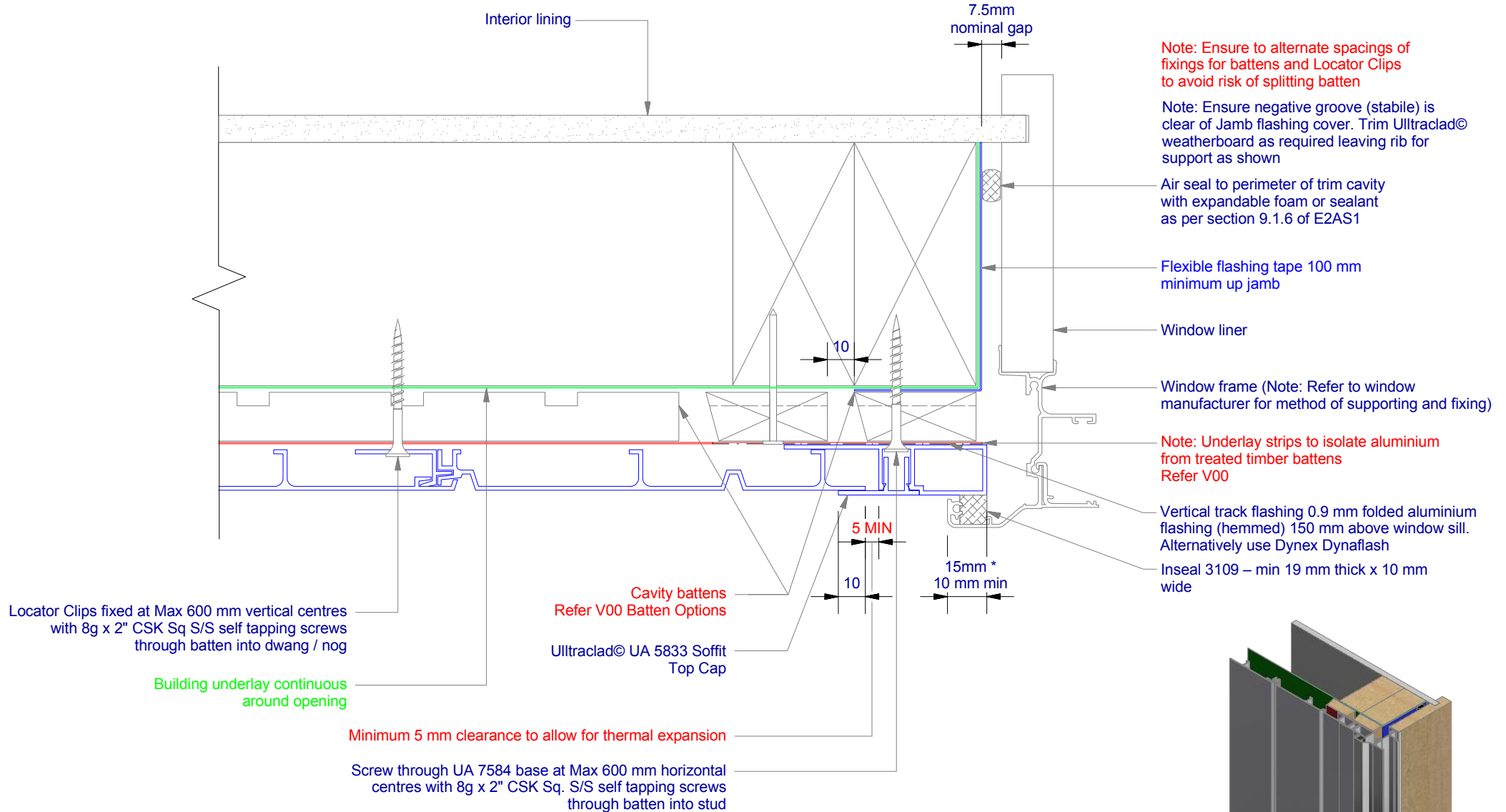
Rev : 10

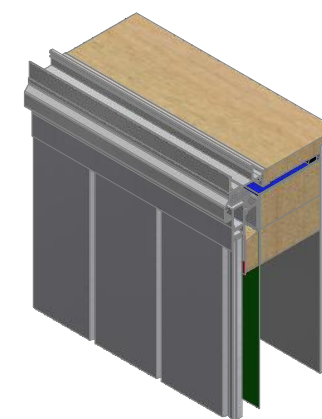
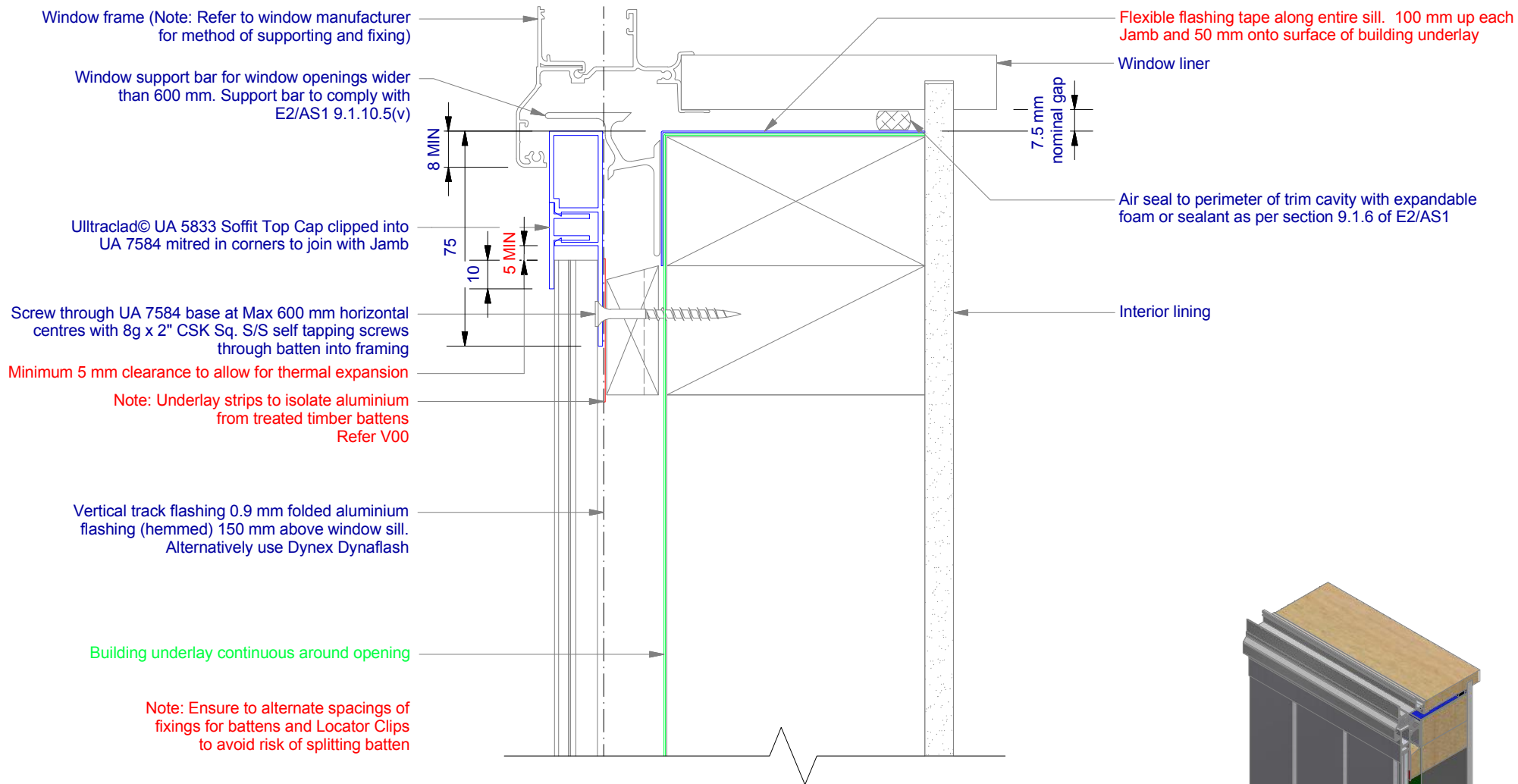
Window Head on Cavity
UA 7923 ULLTRALINE BOARD

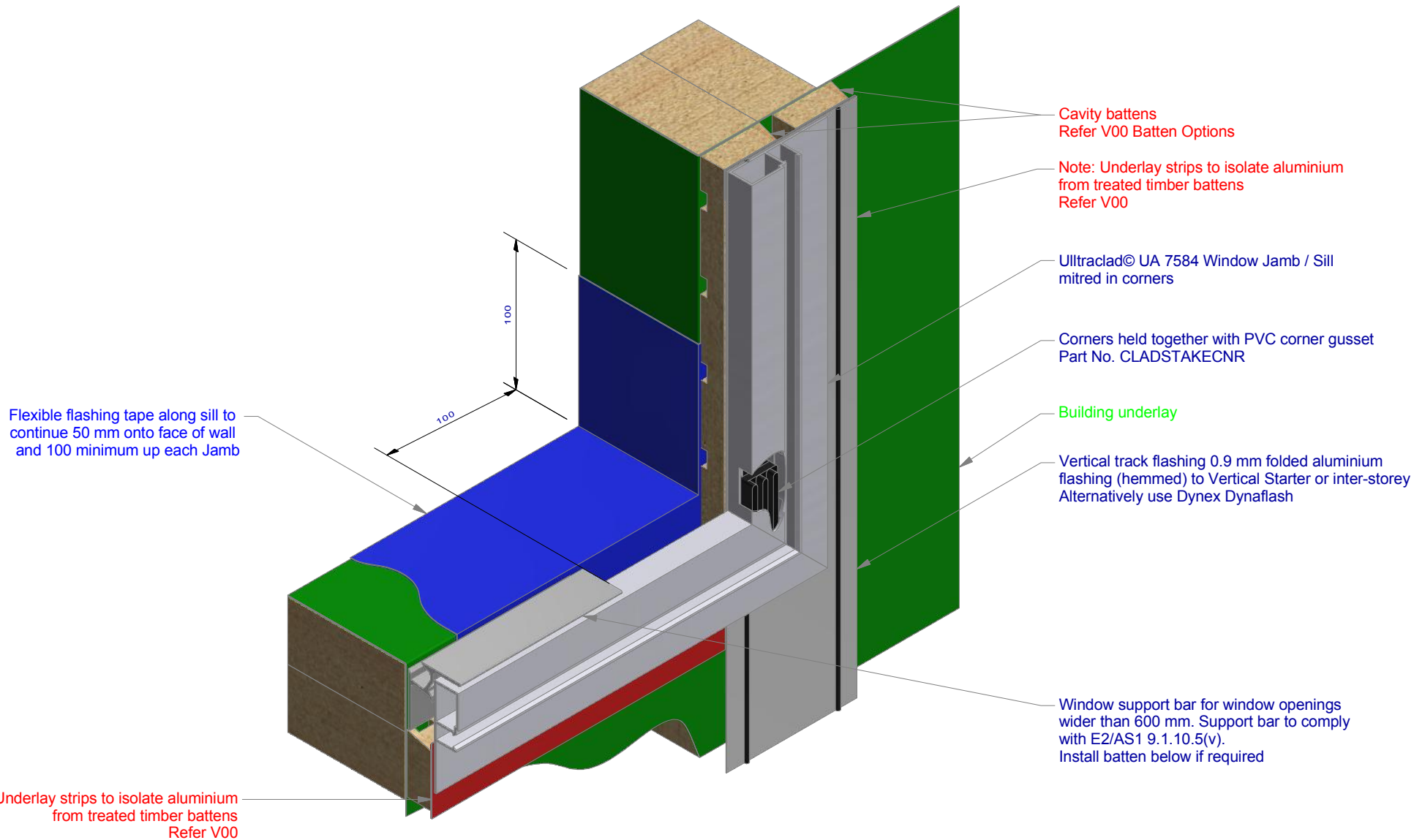
VERTICAL CAVITY SYSTEM

Scale: 1 : 2 @ A4 - 2019

Brnz Appraisal #796 2019. (Vertical)

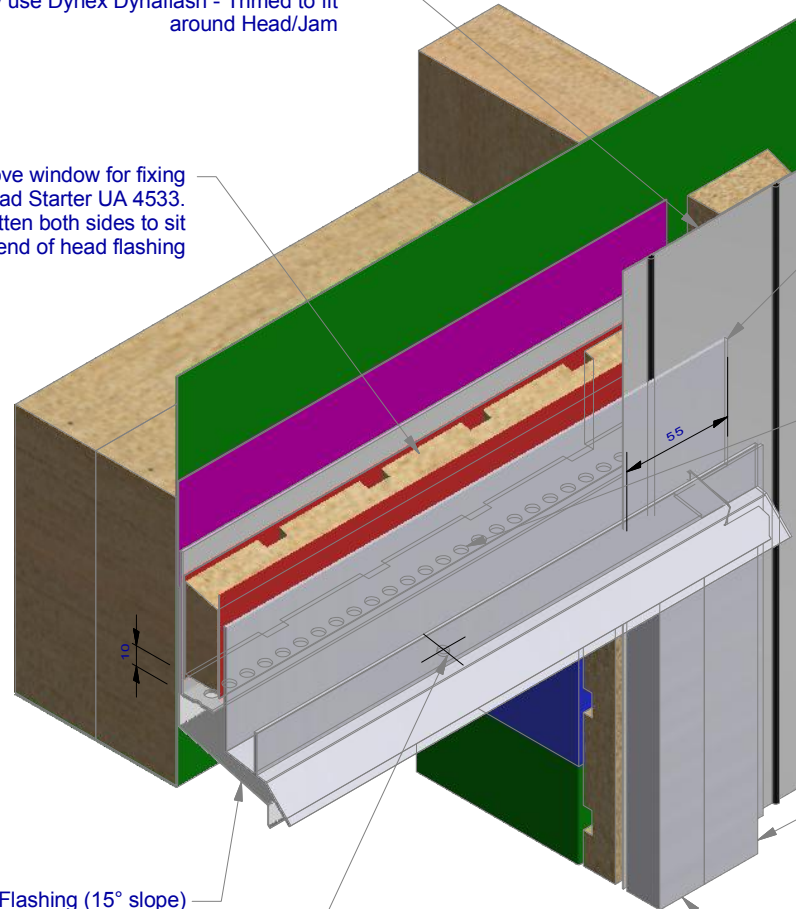






Vertical track flashing 0.9 mm folded aluminium flashing (hemmed) to 150 mm above window head. Alternatively use Dynex Dynafash - Trimmed to fit around Head/Jam

Battens above window for fixing window head Starter UA 4533. Outer batten both sides to sit inside stopend of head flashing



Window Head Flashing (15° slope) folded stop end. (Note: not supplied with Ulltraclad® system - contractor to supply as additional flashing)

Ulltraclad® UA 4533 Head Starter 5 mm diameter drainage holes drilled through base of Head Starter at 300 mm centres

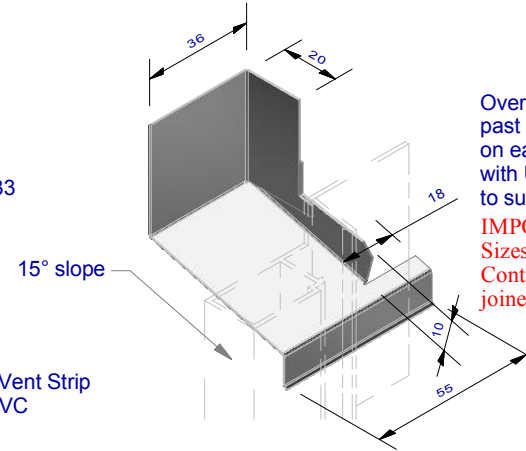
Ulltraclad® UA 4533 Head Starter

Ulltraclad® Cavity Vent Strip Alternatively use PVC

Ulltraclad® UA 5833 Soffit Clip Top

Ulltraclad® UA 7584 Jamb Flashing

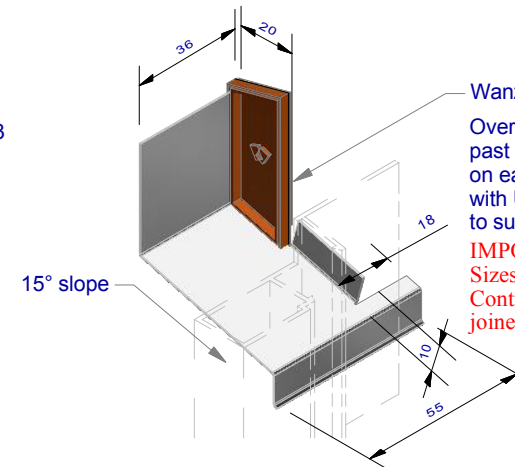
Window Head Flashing Option 1 Cut & Fold Stop End (1 : 2)



Overall Head Flashing length = +40 mm past edge of window and door joinery on each side. (Note: not supplied with Ulltraclad® system - contractor to supply as additional flashing)

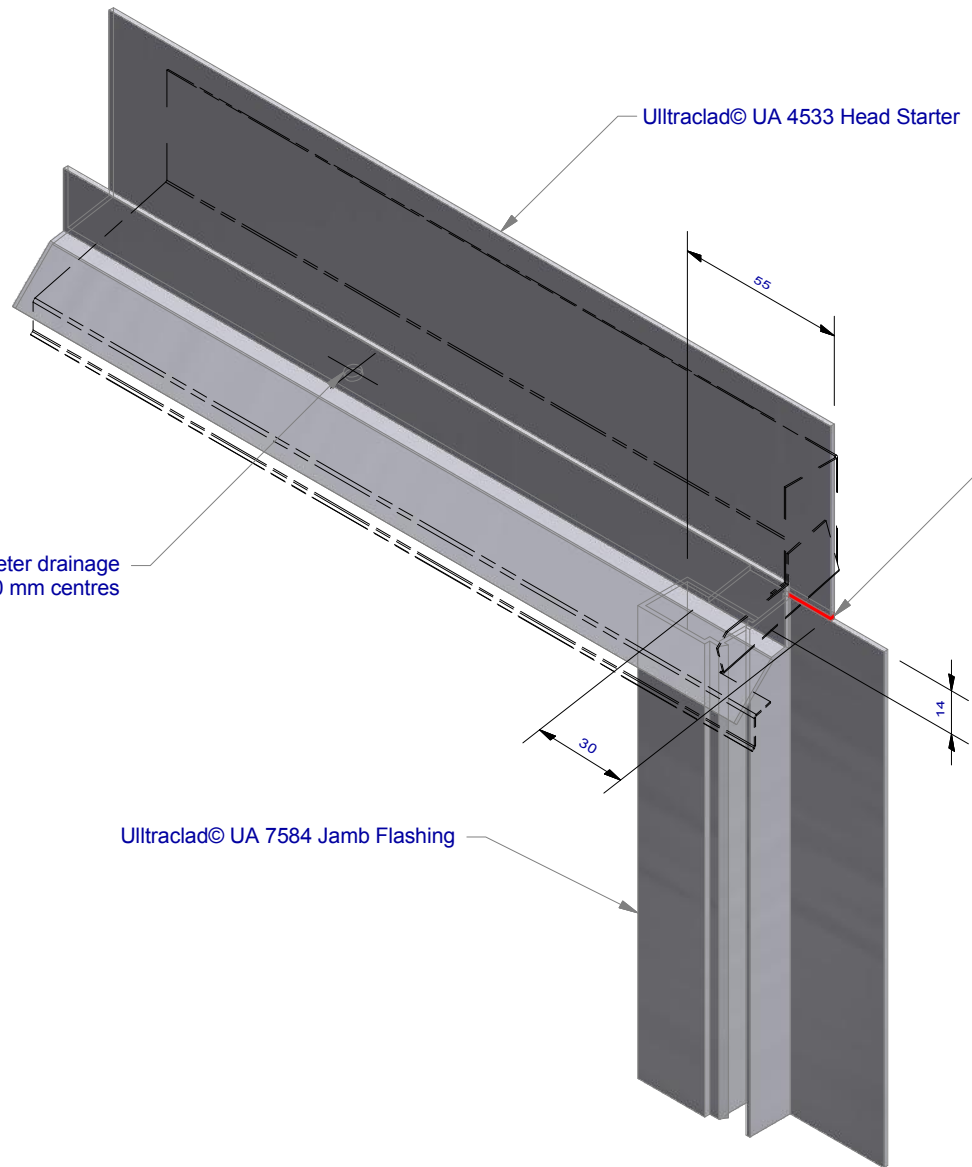
IMPORTANT:
Sizes shown are indicative only!
Contractor to confirm onsite as joinery suites may vary.

Window Head Flashing Option 2 Wanz Plastic Stop End Cap (1 : 2)



Wanz Plastic Stop End
Overall Head Flashing length = +40 mm past edge of window and door joinery on each side. (Note: not supplied with Ulltraclad® system - contractor to supply as additional flashing)

IMPORTANT:
Sizes shown are indicative only!
Contractor to confirm onsite as joinery suites may vary.



Ulltraclad© UA 4533 Head Starter

IMPORTANT:
 Sizes shown are indicative only!
 Contractor to confirm onsite as
 joinery suites may vary.

Applying sealant before fitting UA 4533
 sealant at facade

Ulltraclad© UA 4533 Head Starter 5 mm diameter drainage
 holes drilled through base of Head Starter at 300 mm centres

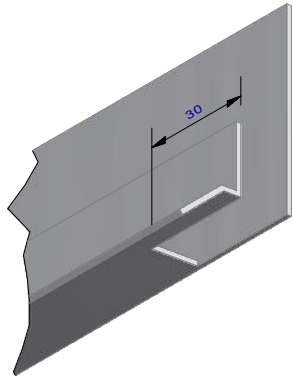
Note: Ulltraclad© UA 4533 Head Starter to extend
 40 mm past edge of window or door joinery.
 Building underlay, flashing tape and UA 5833
 omitted for clarity

Ulltraclad© UA 7584 Jamb Flashing

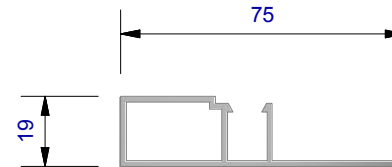
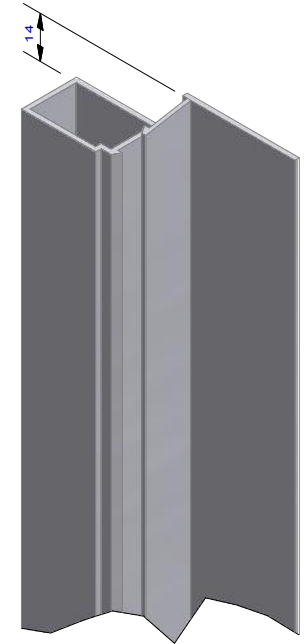
Ultraclad® UA 4533 Head Starter 5 mm diameter drainage holes drilled through base of Head Starter at 300 mm centres



IMPORTANT:
 Sizes shown are indicative only!
 Contractor to confirm onsite as
 joinery suites may vary.



Ultraclad® UA 7584
 Jamb Flashing



ULLTRACLAD®
 ALUMINIUM WEATHERBOARDS

ULLRICH ALUMINIUM CO LTD
 PO Box 98 843 Manukau City Auckland 2241
 118 Wiri Station Road Wiri 2104 New Zealand
 TL 09 262 6262 Ext. 814 Mob 021 541 563
 www.ulltraclad.co.nz
 © ULLRICH ALUMINIUM - All Rights Reserved

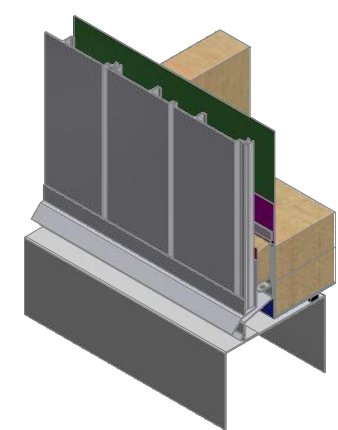
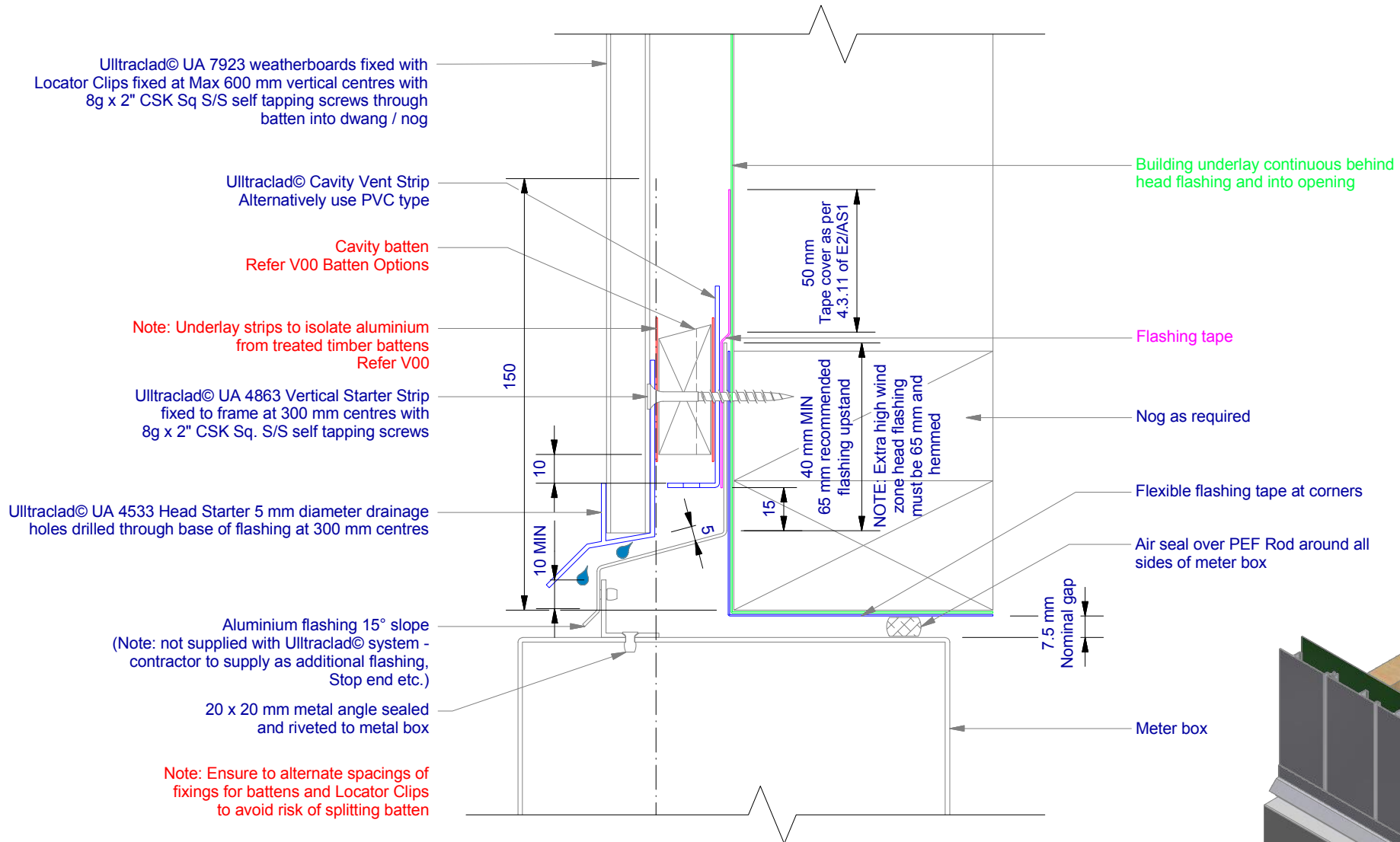
V14

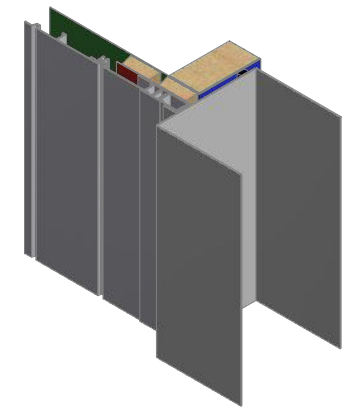
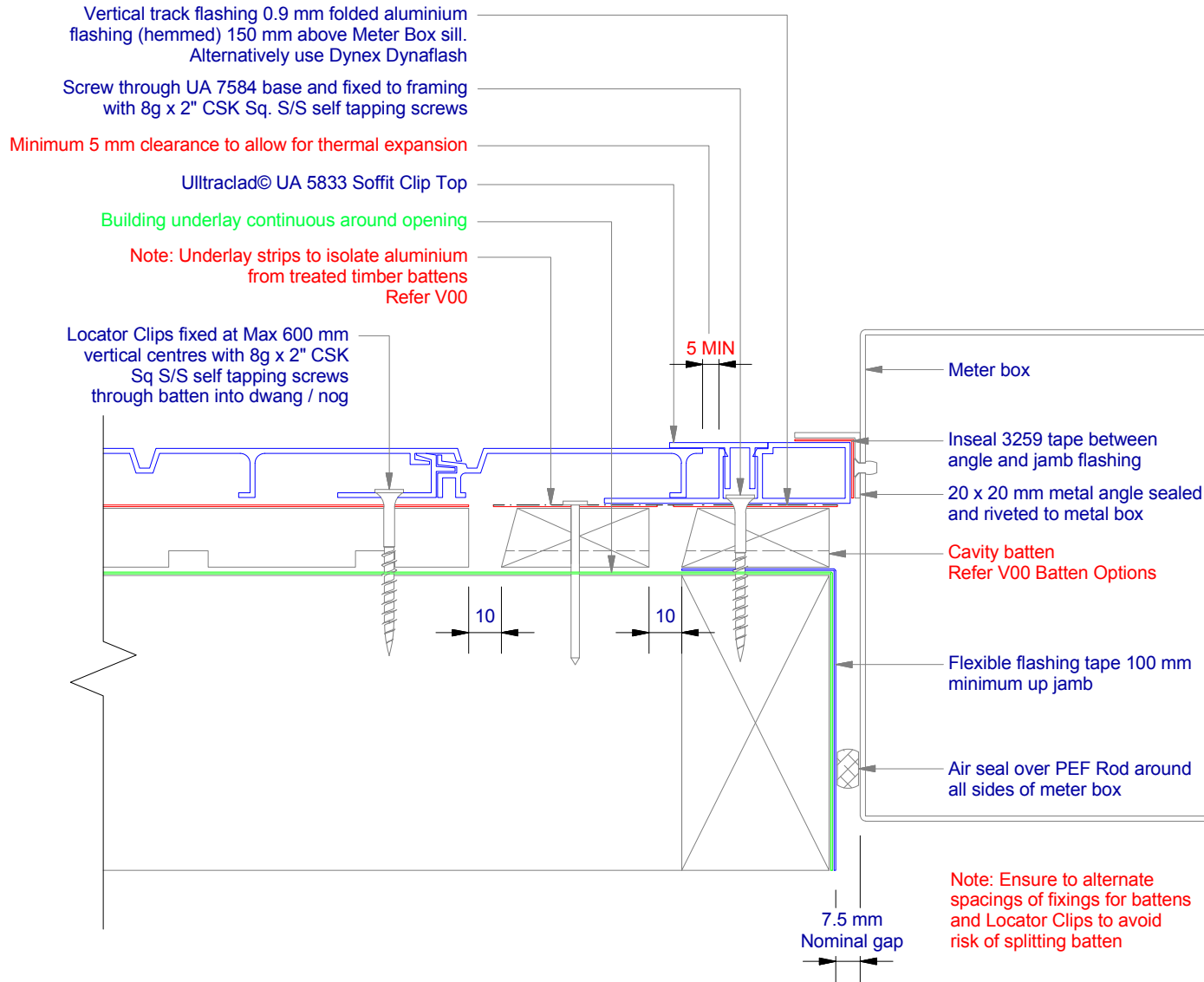
Rev : 10

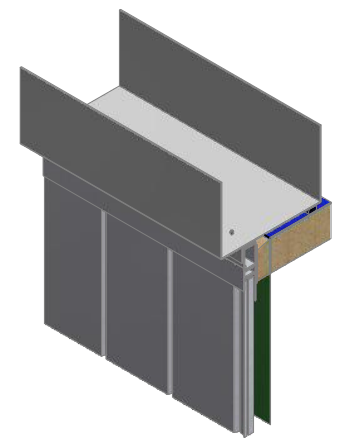
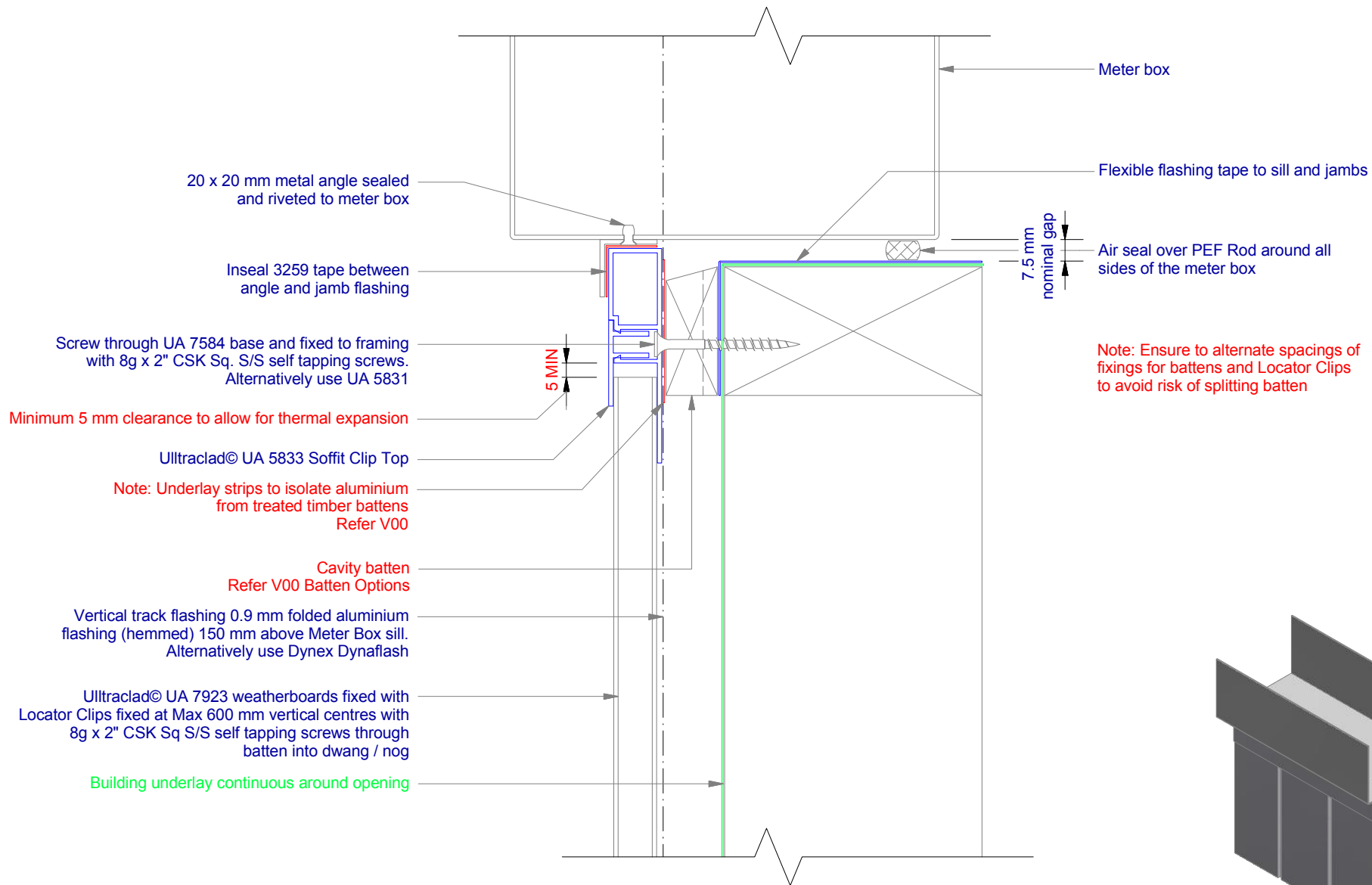
Head - Jamb Notching Details
 UA 7923 ULLTRALINE BOARD

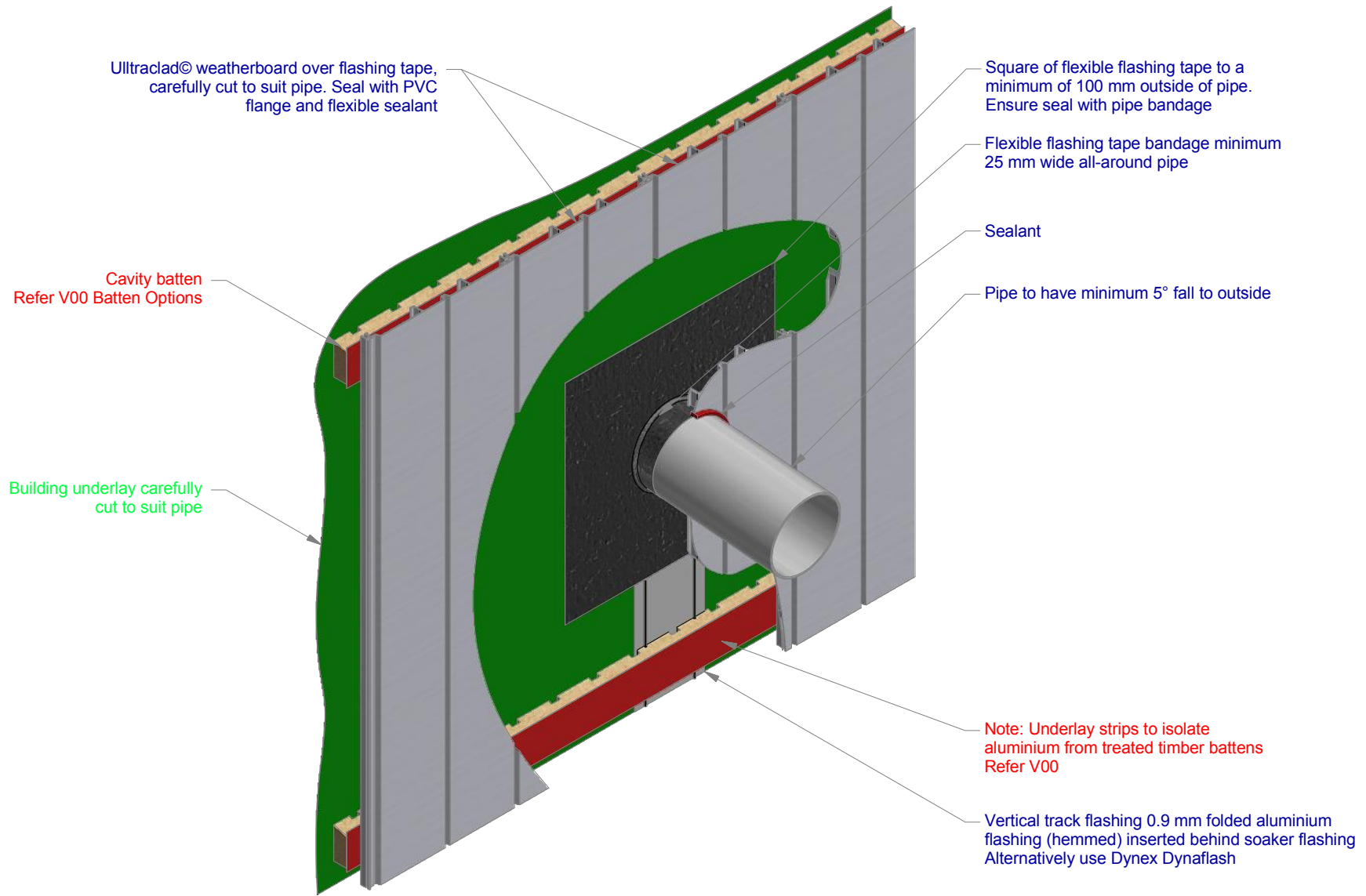
VERTICAL CAVITY SYSTEM
 Scale: 1 : 2 @ A4 - 2019

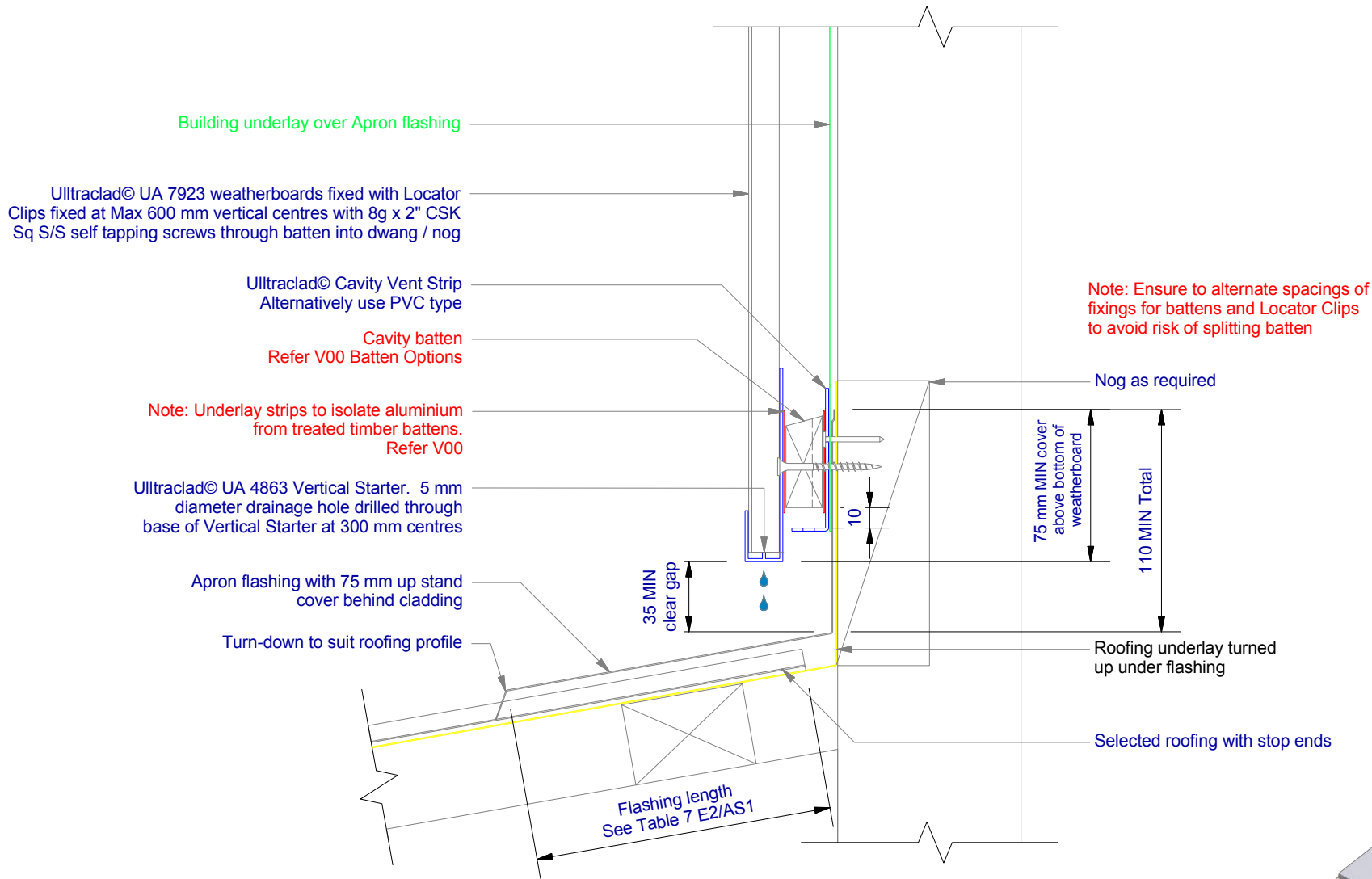
Branz Appraisal #796 2019. (Vertical)





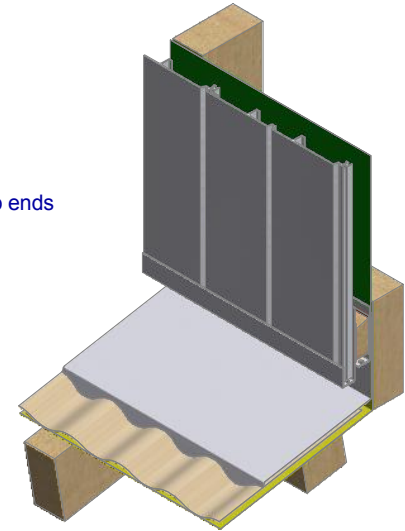


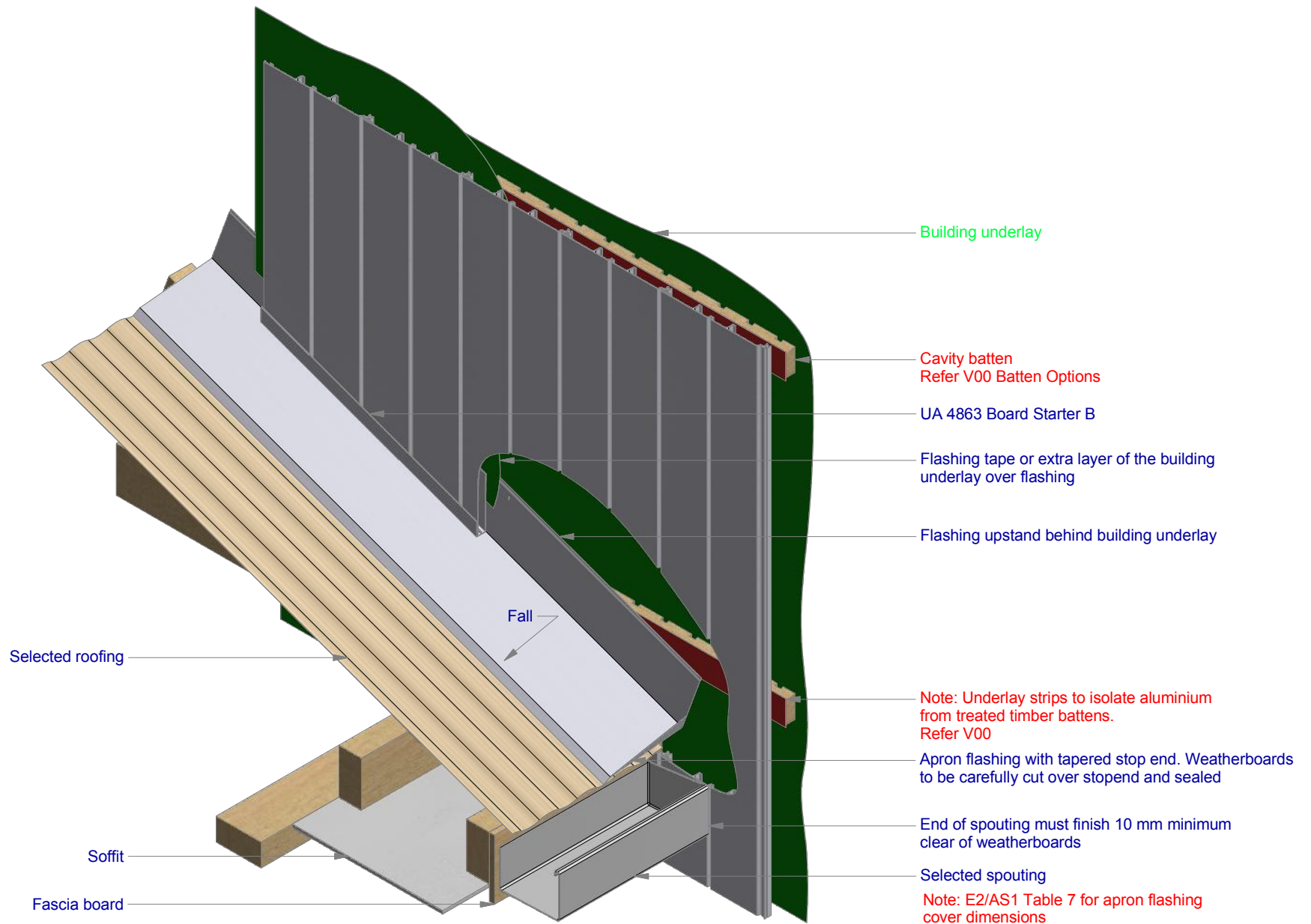


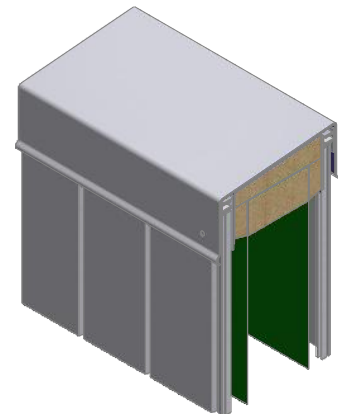
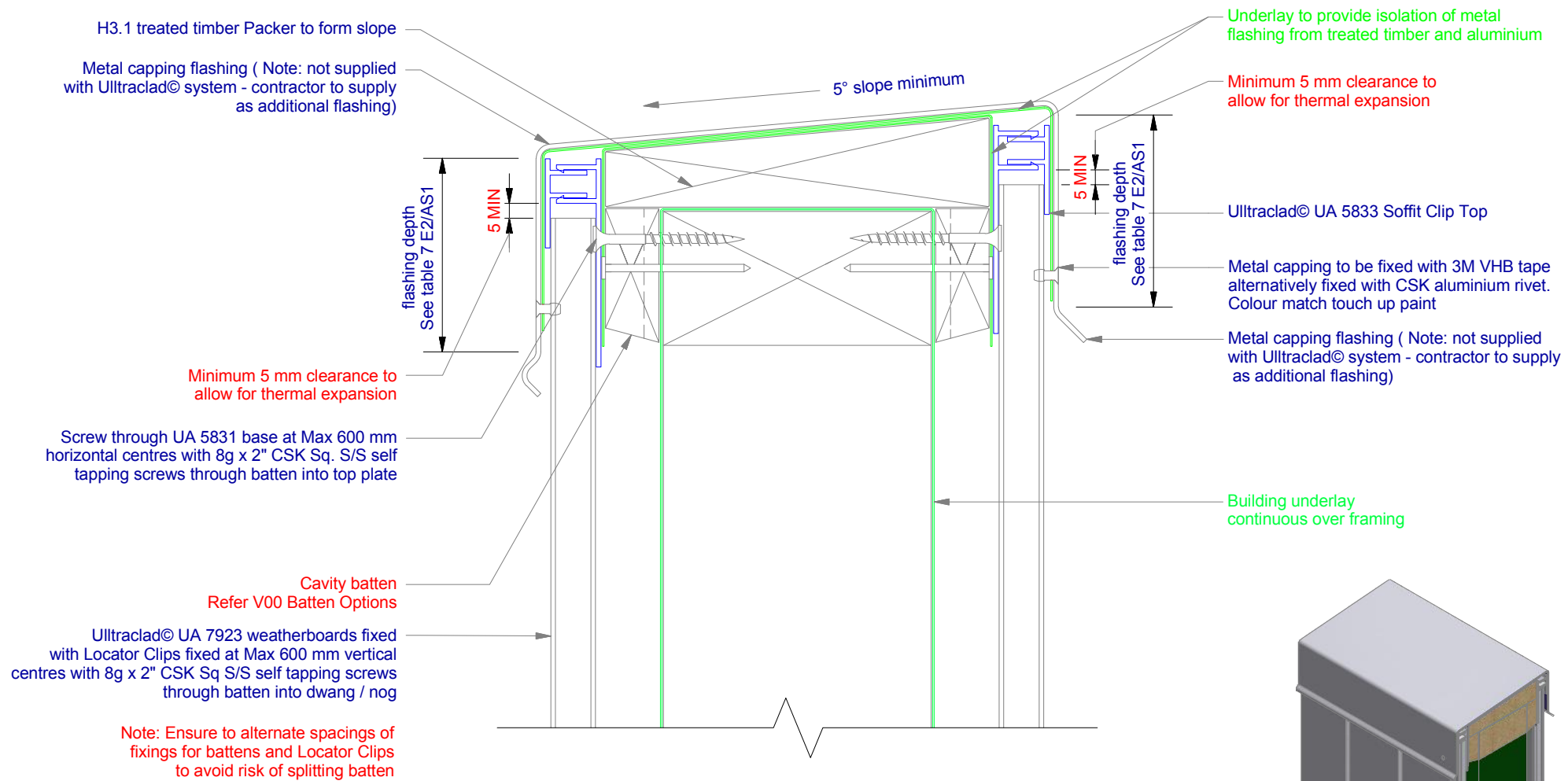


Note: Ensure to alternate spacings of fixings for battens and Locator Clips to avoid risk of splitting batten

Note: Underlay strips to isolate aluminium from treated timber battens. Refer V00







Note: Ensure to alternate spacings of fixings for battens and Locator Clips to avoid risk of splitting batten

Ulltraclad® UA 7923 weatherboards fixed with Locator Clips fixed at Max 600 mm vertical centres with 8g x 2" CSK Sq S/S self tapping screws through batten into dwang / nog

Building underlay

Cavity batten
Refer V00 Batten Options

Flashing tape

Note: Underlay strips to isolate aluminium from treated timber battens
Refer V00

Ulltraclad® UA 4863 Vertical Starter Strip fixed to frame at 300 mm centres with 8g x 2" CSK Sq S/S self tapping screws

Ulltraclad® UA 4863 with 5 mm diameter drainage holes drilled through base of Starter at 300 mm centres

Aluminium inter-storey flashing 15° slope
(Note: not supplied with Ulltraclad® system - contractor to supply as additional flashing)

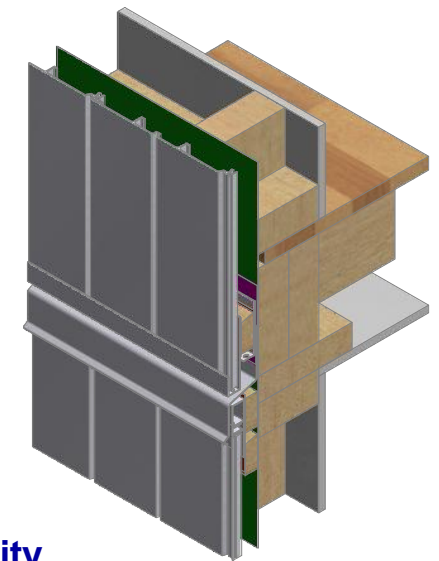
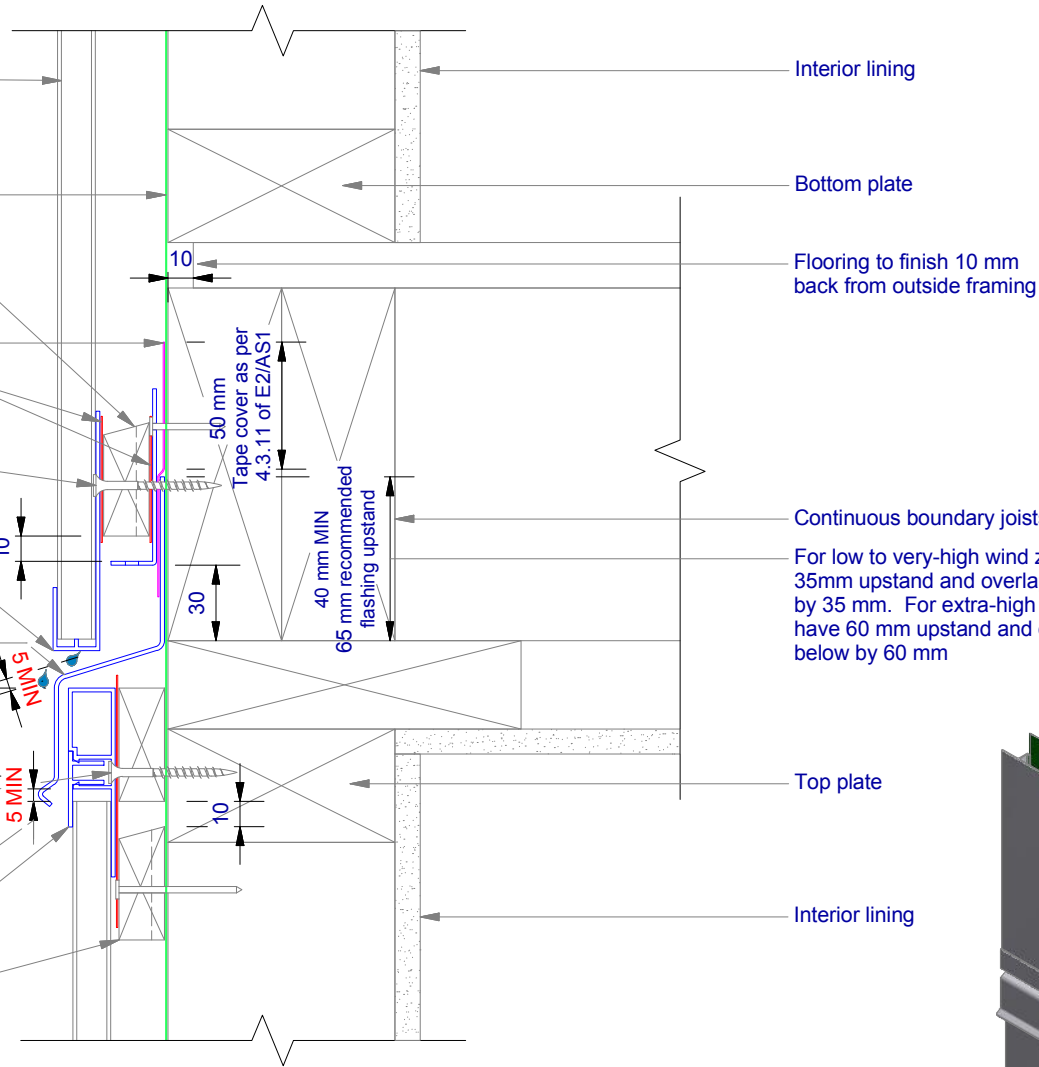
Screw through UA 7584 base at Max 600 mm horizontal centres with 8g x 2" CSK Sq. S/S self tapping screws through batten into frame

Minimum 5 mm clearance to allow for thermal expansion

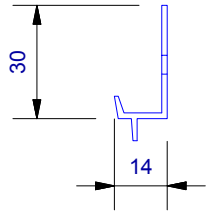
Ulltraclad® UA 5833 Soffit Clip Top

Cavity batten
Refer V00 Batten Options

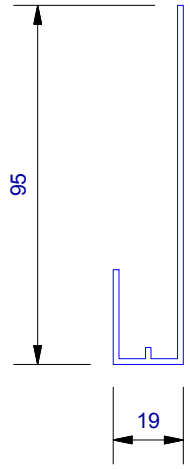
Note: this detail is required to limit cavities to 2 storeys or 7 m Max - Refer E2/AS1 clause 9.1.9.4



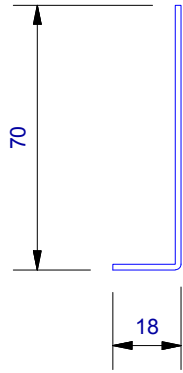
UA 4535
Locator Clip



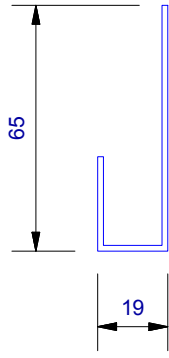
UA 4863
Vertical Board Starter



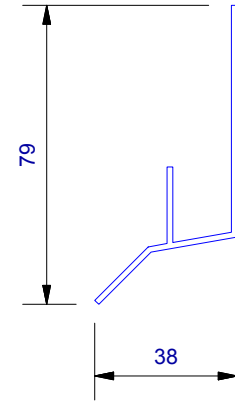
Cavity Vent Strip



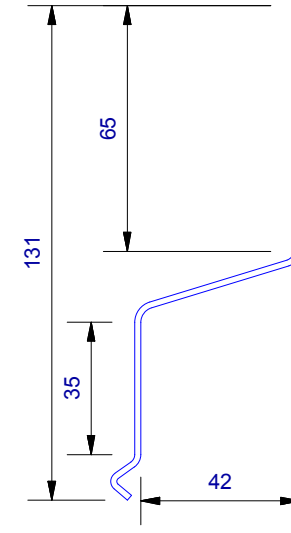
UA 4532
J Moulding



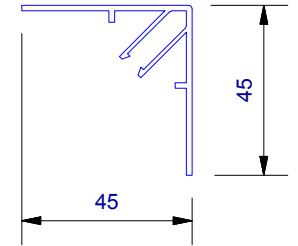
UA 4533
Head Starter



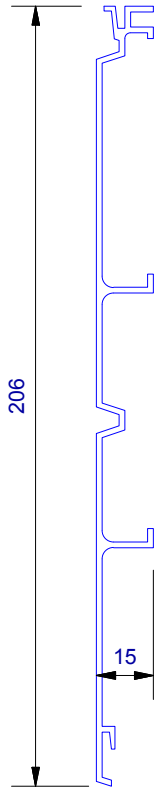
UA 7919
Inter - Storey Flashing



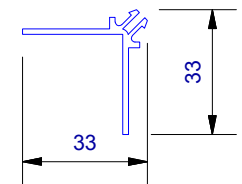
UA 7094
Female Flat Corner



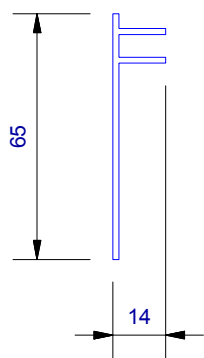
UA 7923
ULLTRALINE BOARD



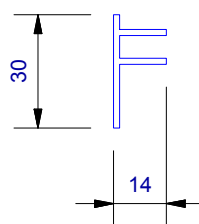
UA 7095
Male Flat Corner



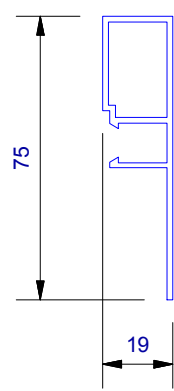
UA 5832
Soffit 65mm Clip Top



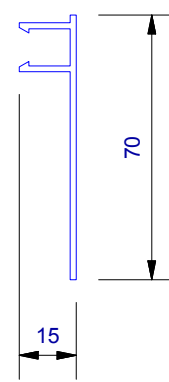
UA 5833
Soffit 30mm Clip Top



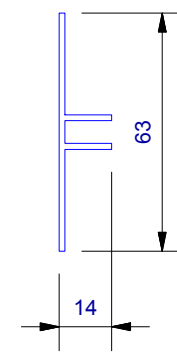
UA 7584
Jamb/Sill Clip Base



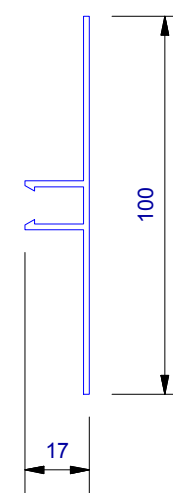
UA 5831
Soffit Clip Base



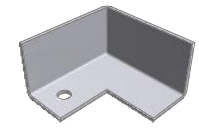
UA 7096
Flat Jointer Top



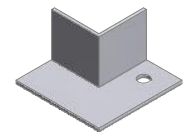
UA 6324
2 Piece Jointer Base



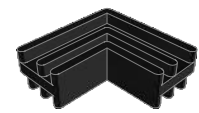
CLADCNRCAP
Corner Cap



CLADCNRCAPI
Internal Corner Cap (1 : 3)



CLADSTAKECNR
Plastic Staking Corner



ULLTRACLAD[®]
ALUMINIUM WEATHERBOARDS

ULLRICH ALUMINIUM CO LTD
PO Box 98 843 Manukau City Auckland 2241
118 Wiri Station Road Wiri 2104 New Zealand
TL 09 262 6262 Ext. 814 Mob 021 541 563
www.ulltraclad.co.nz
© ULLRICH ALUMINIUM - All Rights Reserved

V24

Rev : 10

ULLTRALINE PROFILES
UA 7923 ULLTRALINE BOARD

VERTICAL CAVITY SYSTEM
Scale: 1 : 2 @ A4 - 2019

Brnz Appraisal #796 2019. (Vertical)