

UA7923 ULLTRALINE BOARD HORIZONTAL CAVITY SYSTEM

REV: 10 2019

- | | |
|----------------------------------|---|
| H00 : Wall Batten Elevation | H13 : Head flashing / Head Starter / Jamb iso |
| H01 : External Corner on Cavity | H14 : Head - Jamb iso |
| H02 : Internal Corner on Cavity | H15 : Head - Jamb Notching Details |
| H03 : Horizontail wall Jointer | H16 : Meter Box Head on Cavity |
| H04 : 90° deg Corner Cap | H17 : Meter Box Jamb on Cavity |
| H05 : Vertical Wall Starter | H18 : Meter Box Sill on Cavity |
| H06 : No Soffit Detail on Cavity | H19 : Pipe Penetration on Cavity |
| H07 : Soffit Detail on Cavity | H20 : Roof-Wall Junction on Cavity |
| H08 : Timber Floor on Cavity | H21 : Gutter Wall Junction on Cavity |
| H09 : Window Head on Cavity | H22 : Parapet on Cavity |
| H10 : Window Jam on Cavity | H23 : Deck Junction on Cavity |
| H11 : Window Sill on Cavity | H24 : Inter-Storey Junction on Cavity |
| H12 : Sill-Jamb on Cavity | H25 : Ulltraline Board Profiles |

ULLTRACLAD[®]
ALUMINIUM WEATHERBOARDS

ULLRICH ALUMINIUM CO LTD
PO Box 98 843 Manukau City Auckland 2241
118 Wiri Station Road Wiri 2104 New Zealand
TL 09 262 6262 Ext. 814 Mob 021 541 563

www.ulltraclad.co.nz

© ULLRICH ALUMINIUM - All Rights Reserved

HOR

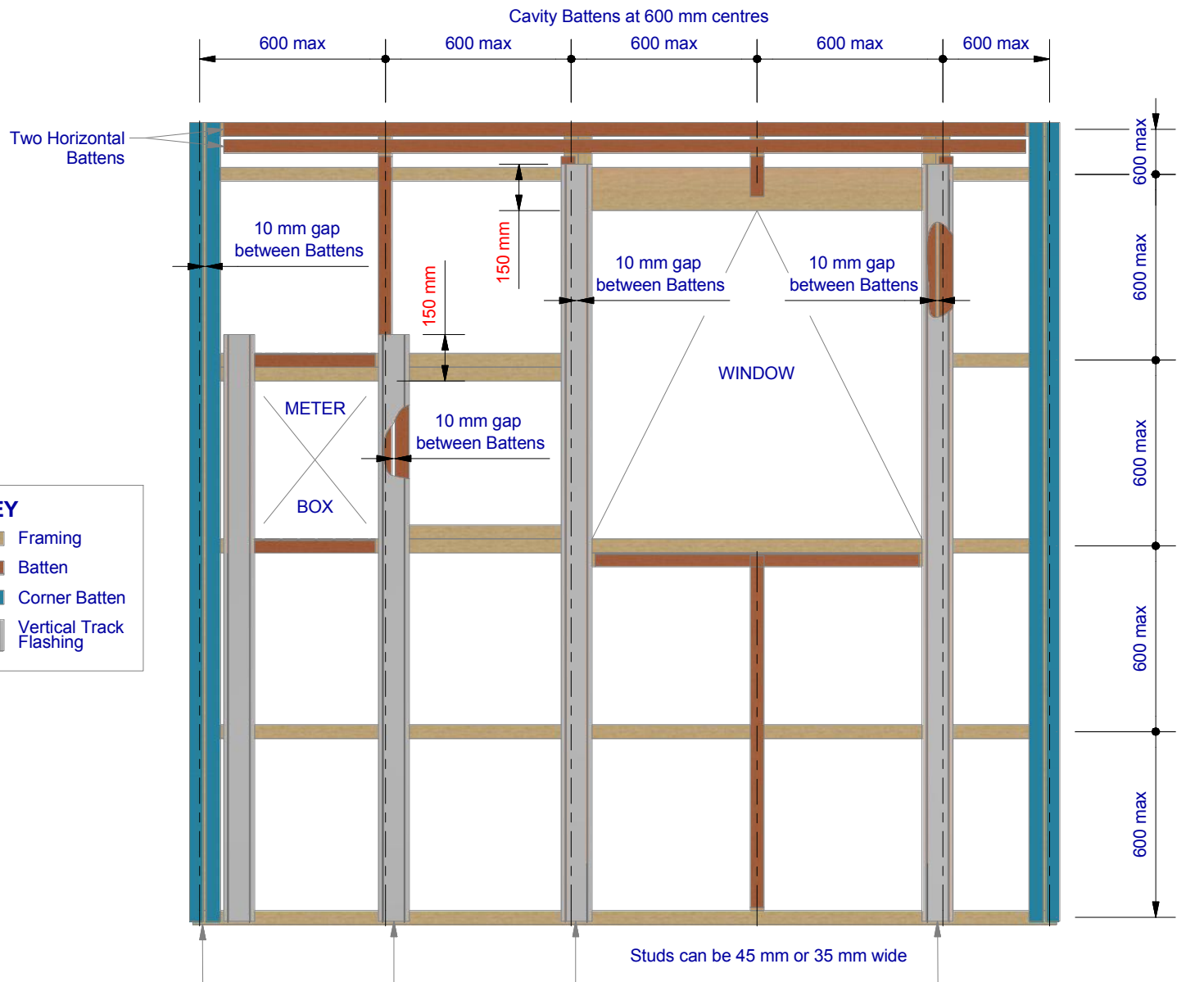
Rev : 10

UA 7923 ULLTRALINE BOARD

HORIZONTAL CAVITY SYSTEM

Scale: 1 : 1 @ A4 - 2019

Brnz Appraisal #487 2019. (Horizontal)



Batten options

Impervious barrier (MDPE) or similar tape between cladding and batten.

To comply with NZBC E2/AS1 - Table 23.

Note:

Some machining of battens may be required to avoid "build up".
i.e. back flashings / tapes

Cavity plastic Batten

Note:

packing/shims may be needed to ensure boards are fitted flat without distortion.

* Additional timber may be required at soffit to support UA 5831 Soffit Base.

Note: Important

Underlay strips to isolate aluminium from treated timber battens 50 mm wide medium density polyethylene (MDPE)




To comply with NZBC E2/AS1 - Table 23. Properties of roofing underlays and wall underlays, separates aluminium components and accessories from timber battens treated with copper-based treatments

Cavity closers required as per NZBC E2/AS1 (section 9.1.8)

Vertical Cavity Corner Batten
50 x 25 mm H3.1 treated Radiata. Cavity battens fixed with 6g x 1.25" CSK Sq S/S pre-drilled screws through batten into stud

0.9 x 90 mm Aluminium Track Flashing.
Alternatively use Dynex Dynafash.

KEY

-  Framing
-  Batten
-  Corner Batten
-  Vertical Track Flashing

ULLTRACLAD[®]
ALUMINIUM WEATHERBOARDS

ULLRICH ALUMINIUM CO LTD
PO Box 98 843 Manukau City Auckland 2241
118 Wiri Station Road Wiri 2104 New Zealand
TL 09 262 6262 Ext. 814 Mob 021 541 563

www.ulltraclad.co.nz

© ULLRICH ALUMINIUM - All Rights Reserved

H00

Rev : 10

Wall Batten Elevation
UA 7923 ULLTRALINE BOARD

HORIZONTAL CAVITY SYSTEM
Scale: 1 : 20 @ A4 - 2019

Brnz Appraisal #487 2019. (Horizontal)

Locator Clips fixed at Max 600 mm horizontal centres with 8g x 2" CSK Sq S/S self tapping screws through batten into stud

Vertical cavity batten (corners only) fixed with 6g x 1.25" CSK Sq S/S pre-drilled screws through batten into stud

5 MIN

Minimum 5 mm clearance to allow for thermal expansion

Ultraclad® UA 7094 Female Corner Flashing

Ultraclad® UA 7095 Male Corner Flashing fixed to timber battens with 30 x 2.5 mm stainless steel clouts at 600 mm vertical centres

5 MIN

Ultraclad® UA 7923 weatherboard (horizontal)

Note: Underlay strips to isolate aluminium from treated timber battens Refer V00

Cavity batten Refer V00 Batten Options

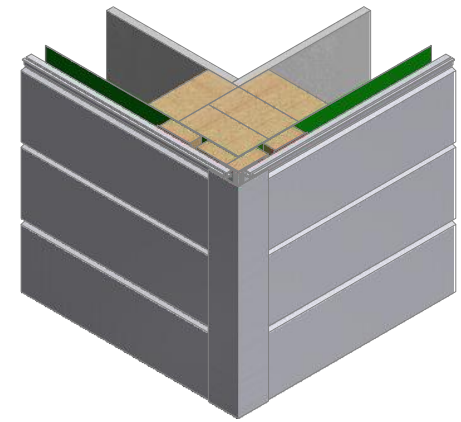
Locator Clip UA 4535

Building underlay continuous around corner

Wall frame

Interior lining

Note: Ensure to alternate spacings of fixings for battens and Locator Clips to avoid risk of splitting batten



ULLTRACLAD®
ALUMINIUM WEATHERBOARDS

ULLRICH ALUMINIUM CO LTD
PO Box 98 843 Manukau City Auckland 2241
118 Wiri Station Road Wiri 2104 New Zealand
TL 09 262 6262 Ext. 814 Mob 021 541 563
www.ulltraclad.co.nz
© ULLRICH ALUMINIUM - All Rights Reserved

H01
Rev : 10

External Corner on Cavity
UA 7923 ULLTRALINE BOARD

HORIZONTAL CAVITY SYSTEM
Scale: 1 : 2 @ A4 - 2019

Brnz Appraisal #487 2019. (Horizontal)

Ulltraclad® UA 7923 weatherboard (horizontal)

Locator Clips fixed at Max 600 mm horizontal centres with 8g x 2" CSK Sq S/S self tapping screws through batten into stud

Note: Underlay strips to isolate aluminium from treated timber battens Refer V00

Ulltraclad® UA 7094 Female Corner Flashing fixed to timber battens with 30 x 2.5 mm stainless steel clouts at 600 mm vertical centres

Minimum 5 mm clearance to allow for thermal expansion

Ulltraclad® UA 7095 Male Corner Flashing

Locator Clip UA 4535

Interior lining

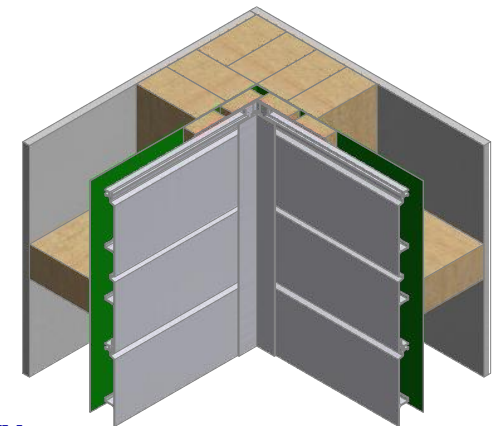
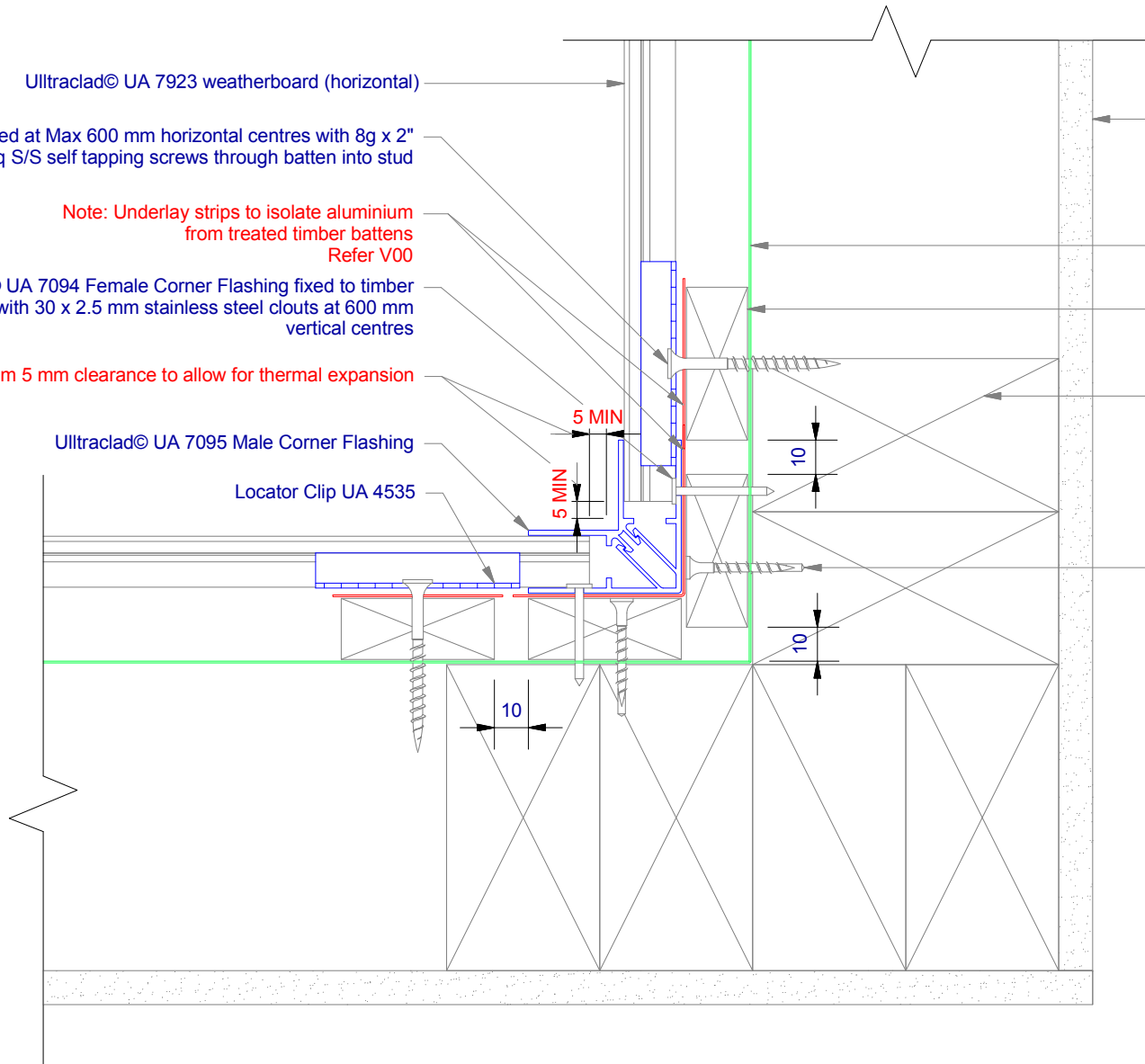
Building underlay continuous around corner

Cavity batten Refer V00 Batten Options

Note: double stud required at internal corners

Vertical cavity batten (corners only) fixed with 6g x 1.25" CSK Sq S/S pre-drilled screws through batten into stud

Note: Ensure to alternate spacings of fixings for battens and Locator Clips to avoid risk of splitting batten



ULLTRACLAD®
ALUMINIUM WEATHERBOARDS

ULLRICH ALUMINIUM CO LTD
PO Box 98 843 Manukau City Auckland 2241
118 Wiri Station Road Wiri 2104 New Zealand
TL 09 262 6262 Ext. 814 Mob 021 541 563

www.ulltraclad.co.nz

© ULLRICH ALUMINIUM - All Rights Reserved

H02

Rev : 10

Internal Corner on Cavity
UA 7923 ULLTRALINE BOARD

HORIZONTAL CAVITY SYSTEM

Scale: 1 : 2 @ A4 - 2019

Brnz Appraisal #487 2019. (Horizontal)

Minimum 5 mm clearance to allow for thermal expansion

Ulltraclad® UA 6324 Jointer Bottom fixed to wall frame with 30 x 2.5 mm clouts at 600 mm centres

Cavity batten Refer V00 Batten Options

Note: Underlay strips to isolate aluminium from treated timber battens Refer V00

Minimum 5 mm clearance to allow for thermal expansion

Ulltraclad® UA 7096 Flat Jointer Top

Ulltraclad® UA 7923 weatherboard (horizontal)

Building underlay

Drained and vented cavity as per NZBC E2/AS1 (section 9.1.8)

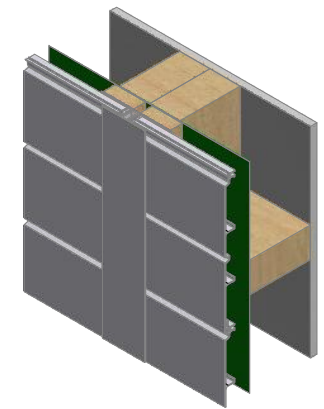
5 MIN 5 MIN

10

Note: Ensure to alternate spacings of fixings for battens and Locator Clips to avoid risk of splitting batten

Interior lining

Double studs behind vertical jointer



ULLTRACLAD®
ALUMINIUM WEATHERBOARDS

ULLRICH ALUMINIUM CO LTD
PO Box 98 843 Manukau City Auckland 2241
118 Wiri Station Road Wiri 2104 New Zealand
TL 09 262 6262 Ext. 814 Mob 021 541 563
www.ulltraclad.co.nz
© ULLRICH ALUMINIUM - All Rights Reserved

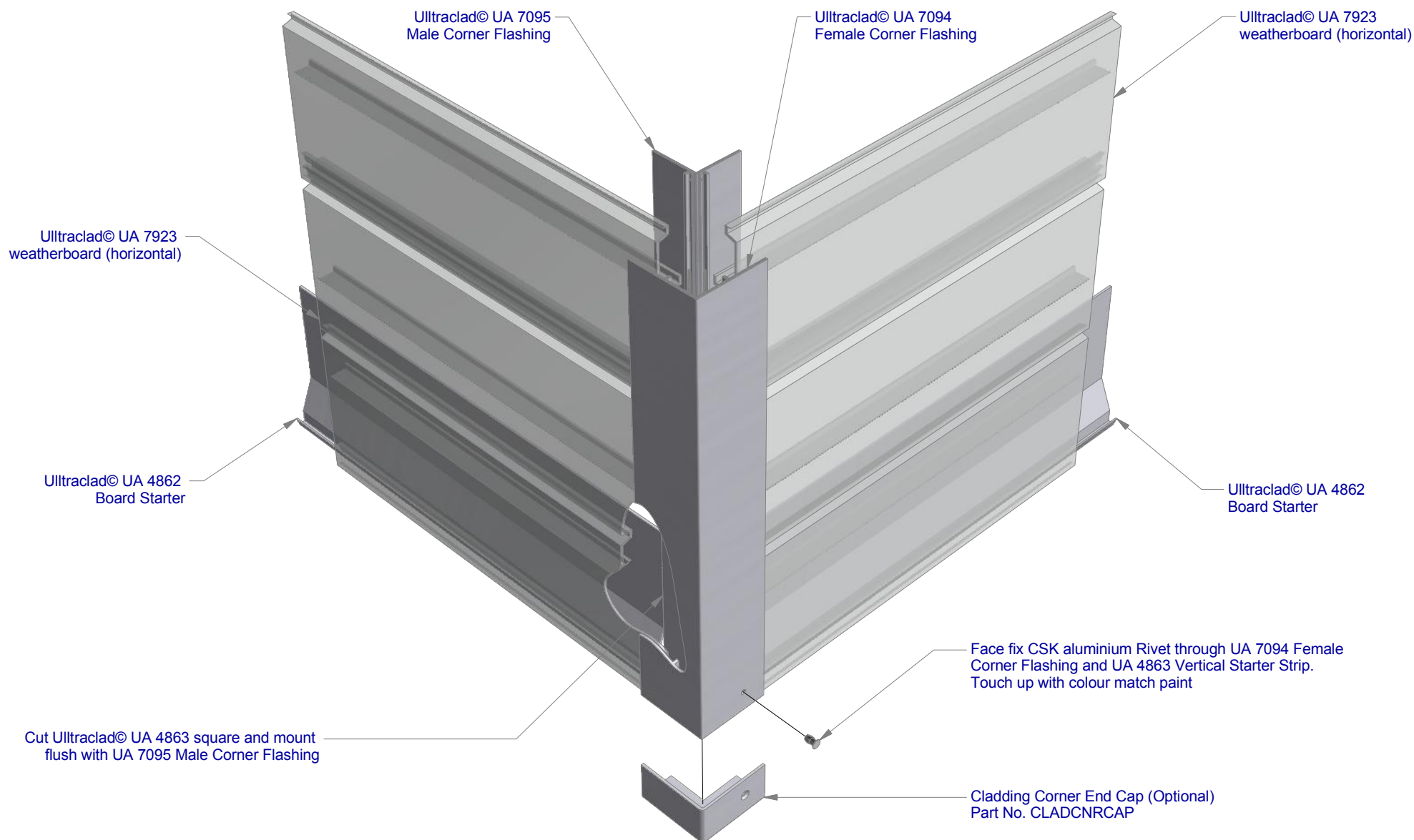
H03

Rev : 10

Horizontal Wall Jointer
UA 7923 ULLTRALINE BOARD

HORIZONTAL CAVITY SYSTEM
Scale: 1 : 2 @ A4 - 2019

Brnz Appraisal #487 2019. (Horizontal)



Ulltraclad® UA 7095
Male Corner Flashing

Ulltraclad® UA 7094
Female Corner Flashing

Ulltraclad® UA 7923
weatherboard (horizontal)

Ulltraclad® UA 7923
weatherboard (horizontal)

Ulltraclad® UA 4862
Board Starter

Ulltraclad® UA 4862
Board Starter

Face fix CSK aluminium Rivet through UA 7094 Female
Corner Flashing and UA 4863 Vertical Starter Strip.
Touch up with colour match paint

Cut Ulltraclad® UA 4863 square and mount
flush with UA 7095 Male Corner Flashing

Cladding Corner End Cap (Optional)
Part No. CLADCNRCAP

ULLTRACLAD®
ALUMINIUM WEATHERBOARDS

ULLRICH ALUMINIUM CO LTD
PO Box 98 843 Manukau City Auckland 2241
118 Wiri Station Road Wiri 2104 New Zealand
TL 09 262 6262 Ext. 814 Mob 021 541 563
www.ulltraclad.co.nz
© ULLRICH ALUMINIUM - All Rights Reserved

H04
Rev : 10

90° deg Corner Cap
UA 7923 ULLTRALINE BOARD
HORIZONTAL CAVITY SYSTEM
Scale: 1 : 3 @ A4 - 2019

Brnz Appraisal #487 2019. (Horizontal)

Ulltraclad® UA 7923 weatherboards (horizontal) fixed with Locator Clips fixed at Max 600 mm horizontal centres with 8g x 2" CSK Sq S/S self tapping screws through batten into stud

Building underlay

Note: Underlay strips to isolate aluminium from treated timber battens Refer V00

Cavity batten Refer V00 Batten Options

Ulltraclad® UA 4862 Board Starter or alternatively use UA 4863 fixed to bottom plate with 50 x 2.5 mm clouts at 600 mm centres

Ulltraclad® Cavity Vent Strip Alternatively use PVC type

Note: 100 mm minimum to permanent paving or 175 mm to unpaved ground to clause 9.1.3 of E2/AS1

Concrete slab or Blockwork

Finished ground level

Interior lining

Bottom plate over DPC

Note: Ensure to alternate spacings of fixings for battens and Locator Clips to avoid risk of splitting batten

6 mm overhang (optional)

50

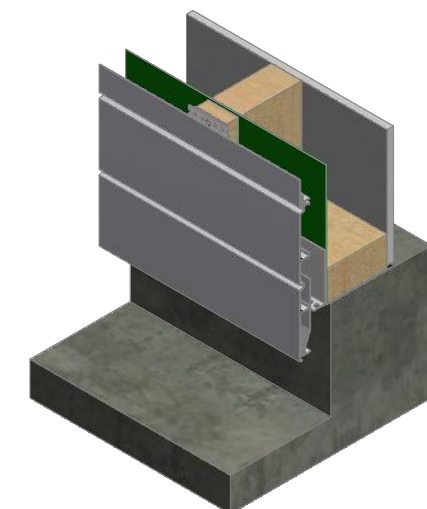
100

H05

Rev : 10

Vertical Wall Starter
UA 7923 ULLTRALINE BOARD

HORIZONTAL CAVITY SYSTEM
 Scale: 1 : 2 @ A4 - 2019



ULLTRA CLAD[®]
 ALUMINIUM WEATHERBOARDS

ULLRICH ALUMINIUM CO LTD
 PO Box 98 843 Manukau City Auckland 2241
 118 Wiri Station Road Wiri 2104 New Zealand
 TL 09 262 6262 Ext. 814 Mob 021 541 563

www.ulltraclad.co.nz

© ULLRICH ALUMINIUM - All Rights Reserved

Branz Appraisal #487 2019. (Horizontal)

Note: Ensure to alternate spacings of fixings for battens and Locator Clips to avoid risk of splitting batten

Fascia board

Sealant over PEF Backing Rod

Screw through UA 7584 base at Max 600 mm horizontal centres with 8g x 2" CSK Sq. S/S self tapping screws through batten into stud

Clearance hole in board larger than screw gauge to allow for thermal expansion

Ulltraclad® UA 5833 Soffit Clip Top

Minimum 5 mm clearance to allow for thermal expansion

When ripping boards to custom widths use treated timber Packers with isolation strips to replicate leg support

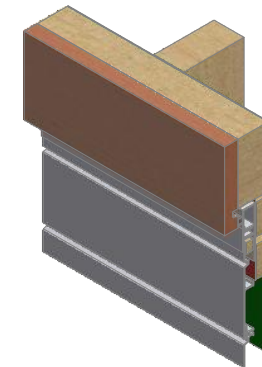
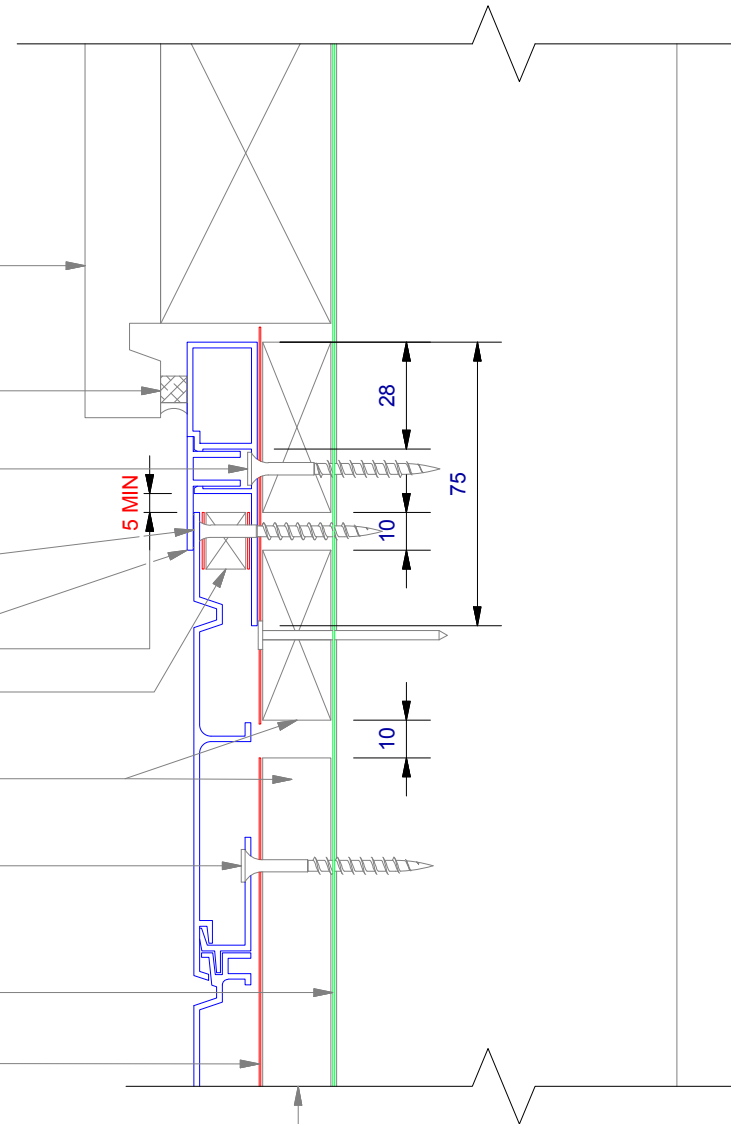
Cavity batten
Refer V00 Batten Options

Ulltraclad® UA 7923 weatherboards (horizontal) fixed with Locator Clips fixed at Max 600 mm horizontal centres with 8g x 2" CSK Sq S/S self tapping screws through batten into stud

Building underlay

Note: Underlay strips to isolate aluminium from treated timber battens
Refer V00

Drained and vented cavity as per NZBC E2/AS1 (section 9.1.8)



ULLTRACLAD[®]
ALUMINIUM WEATHERBOARDS

ULLRICH ALUMINIUM CO LTD
PO Box 98 843 Manukau City Auckland 2241
118 Wiri Station Road Wiri 2104 New Zealand
TL 09 262 6262 Ext. 814 Mob 021 541 563

www.ulltraclad.co.nz

© ULLRICH ALUMINIUM - All Rights Reserved

H06

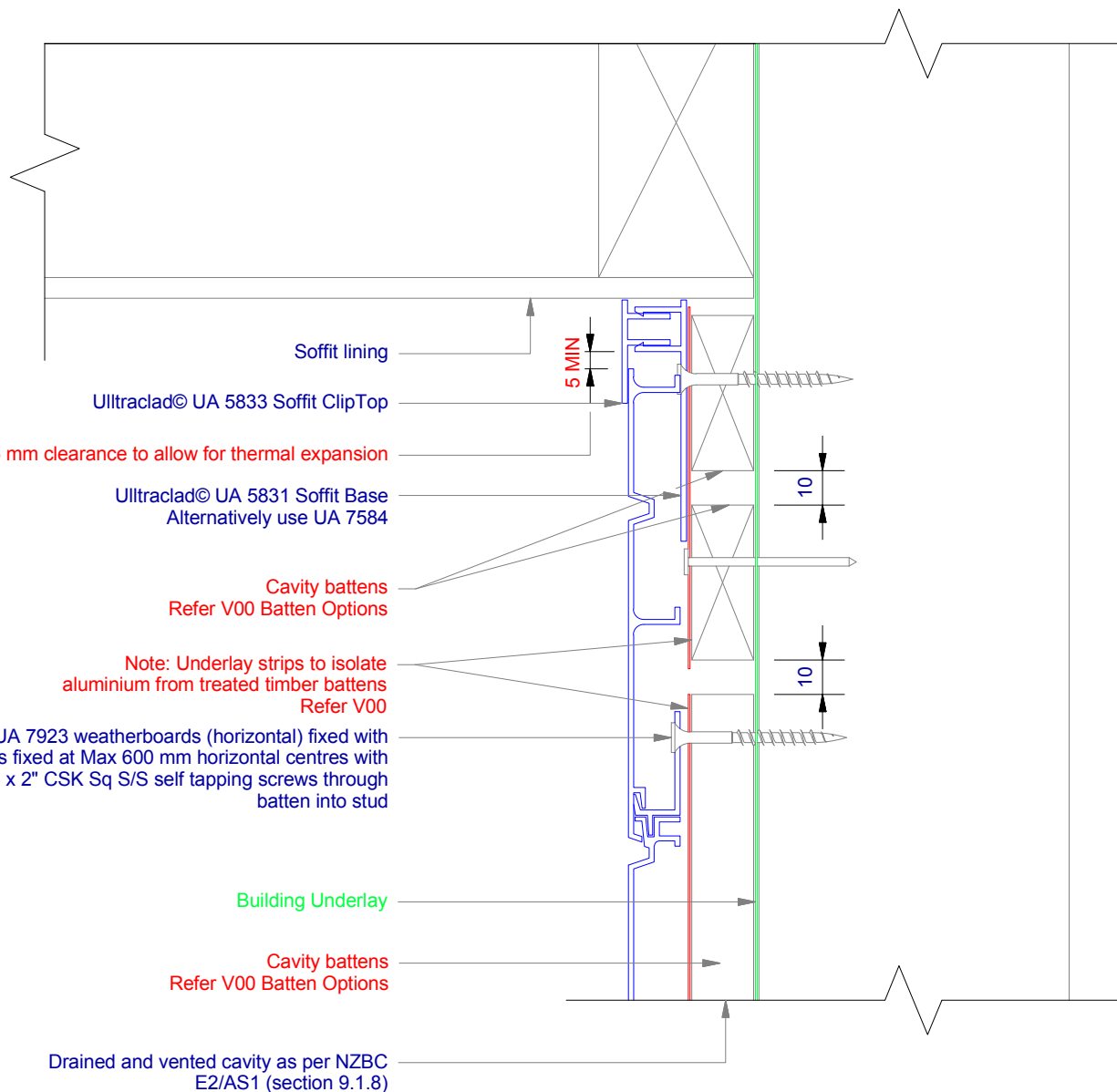
Rev : 10

No Soffit Detail on Cavity
UA 7923 ULLTRALINE BOARD

HORIZONTAL CAVITY SYSTEM

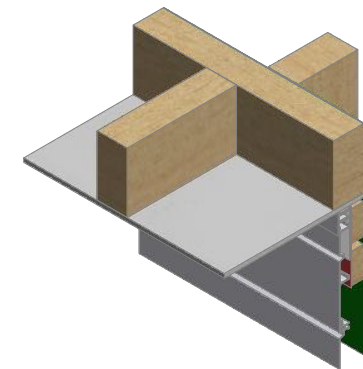
Scale: 1 : 2 @ A4 - 2019

Branz Appraisal #487 2019. (Horizontal)



Note: Ensure to alternate spacings of fixings for battens and Locator Clips to avoid risk of splitting batten

- Soffit lining
- Ultraclad® UA 5833 Soffit ClipTop
- Minimum 5 mm clearance to allow for thermal expansion
- Ultraclad® UA 5831 Soffit Base
Alternatively use UA 7584
- Cavity battens
Refer V00 Batten Options
- Note: Underlay strips to isolate aluminium from treated timber battens
Refer V00
- Ultraclad® UA 7923 weatherboards (horizontal) fixed with Locator Clips fixed at Max 600 mm horizontal centres with 8g x 2" CSK Sq S/S self tapping screws through batten into stud
- Building Underlay
- Cavity battens
Refer V00 Batten Options
- Drained and vented cavity as per NZBC E2/AS1 (section 9.1.8)



ULLTRACLAD®
ALUMINIUM WEATHERBOARDS

ULLRICH ALUMINIUM CO LTD
PO Box 98 843 Manukau City Auckland 2241
118 Wiri Station Road Wiri 2104 New Zealand
TL 09 262 6262 Ext. 814 Mob 021 541 563
www.ulltraclad.co.nz
© ULLRICH ALUMINIUM - All Rights Reserved

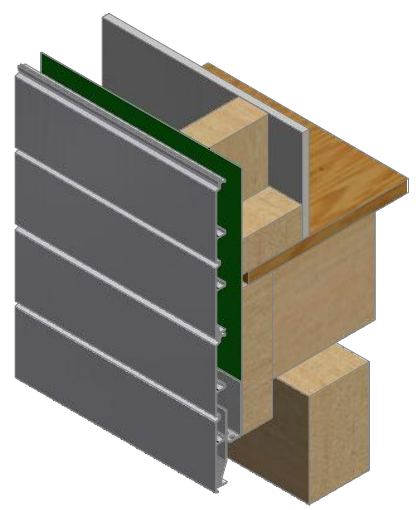
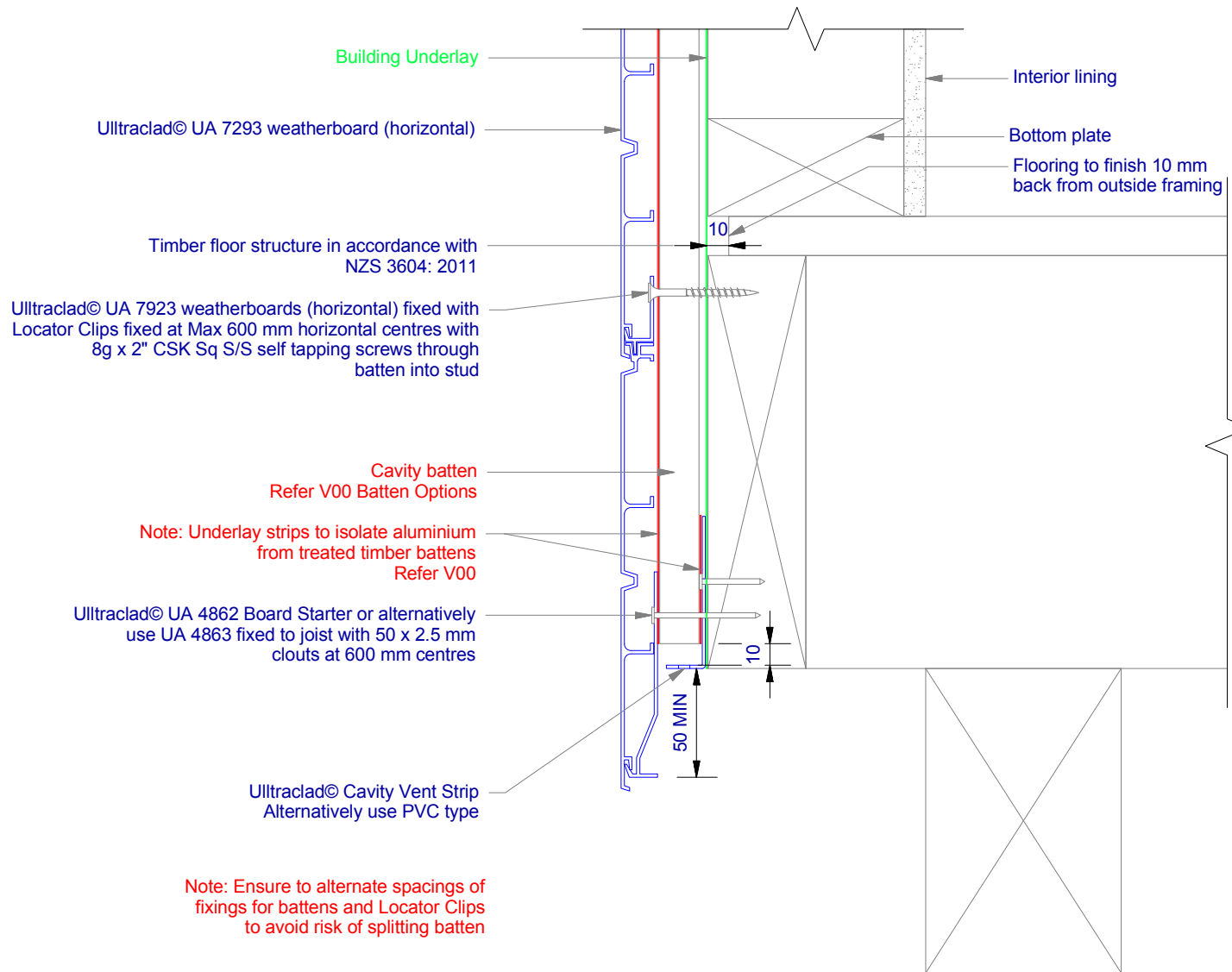
H07

Rev : 10

Soffit Detail on Cavity
UA 7923 ULLTRALINE BOARD

HORIZONTAL CAVITY SYSTEM
Scale: 1 : 2 @ A4 - 2019

Brnz Appraisal #487 2019. (Horizontal)



ULLTRACLAD[®]
ALUMINIUM WEATHERBOARDS

ULLRICH ALUMINIUM CO LTD
PO Box 98 843 Manukau City Auckland 2241
118 Wiri Station Road Wiri 2104 New Zealand
TL 09 262 6262 Ext. 814 Mob 021 541 563
www.ulltraclad.co.nz
© ULLRICH ALUMINIUM - All Rights Reserved

H08

Rev : 10

Timber Floor on Cavity
UA 7923 ULLTRALINE BOARD

HORIZONTAL CAVITY SYSTEM
Scale: 1 : 3 @ A4 - 2019

Brnz Appraisal #487 2019. (Horizontal)

Ultraclad® UA 7923 weatherboards (horizontal) fixed with Locator Clips fixed at Max 600 mm horizontal centres with 8g x 2" CSK Sq S/S self tapping screws through batten into stud

Building underlay continuous behind head flashing and into opening

Flashing tape

Cavity batten
Refer V00 Batten Options

Note: Underlay strips to isolate aluminium from treated timber battens
Refer V00

Batten may require machining to allow for the thickness of Flashings & Tapes

Ultraclad® Cavity Vent Strip
Alternatively use PVC

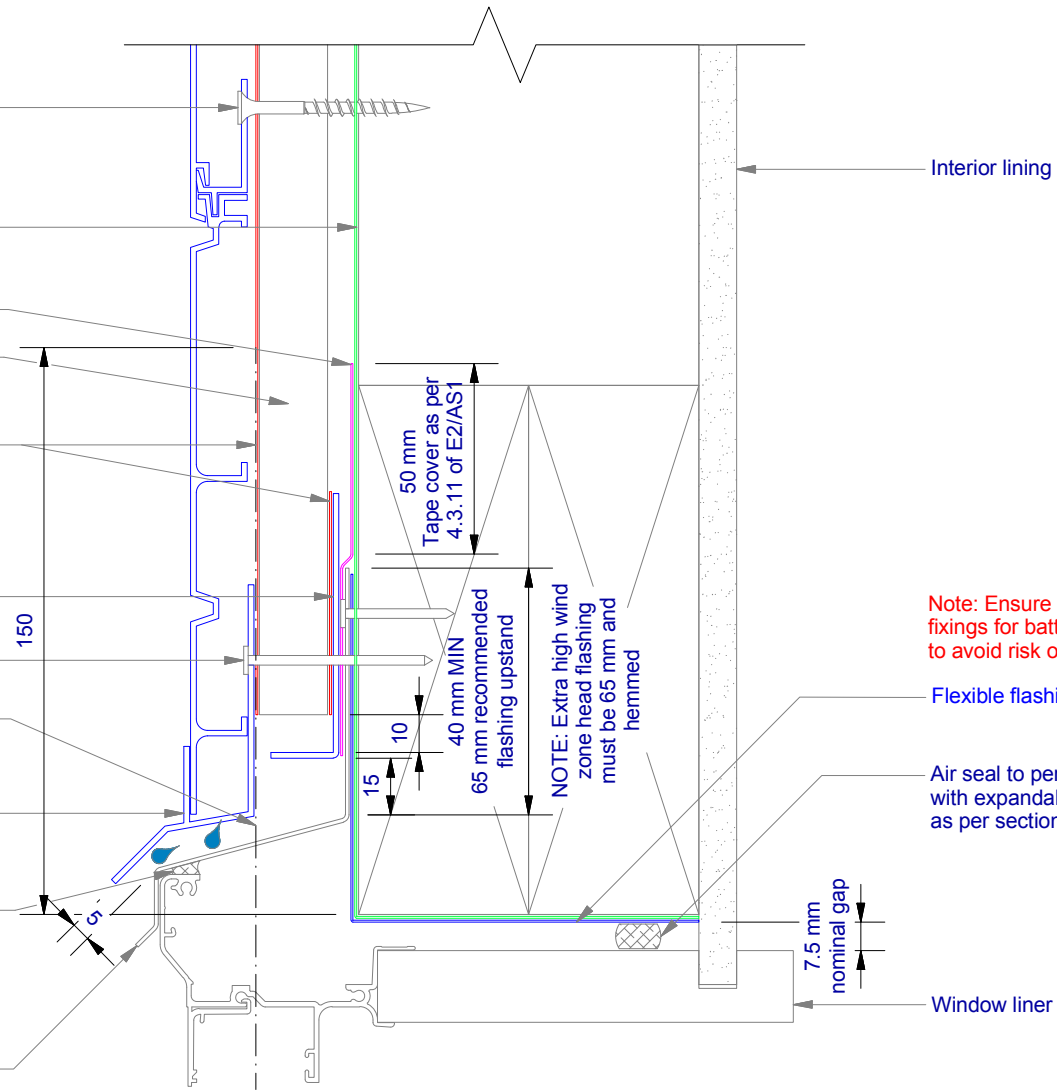
Fixed to lintel at 600 mm centres with 50 x 2.5 mm stainless steel clout

Vertical track flashing 0.9 mm folded aluminium flashing (hemmed) 150 mm above window head or inter-storey.
Alternatively use Dynex Dynafash

Ultraclad® UA 4533 Head Starter 5 mm diameter drainage holes drilled through base of Head Starter at 300 mm centres

Sealant between head flashing and window flange in Very High Wind Zone and above reference figure 71 (c), E2/AS1

Window head flashing (15° slope) folded stop end. (Note: not supplied with Ultraclad® system - contractor to supply as additional flashing)



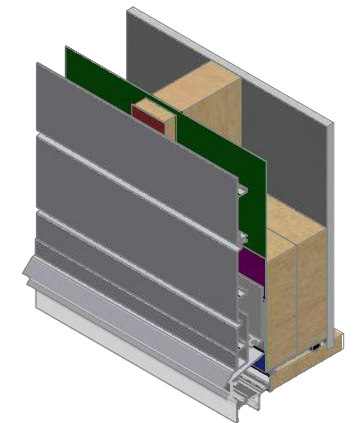
Interior lining

Flexible flashing tape at corners

Air seal to perimeter of trim cavity with expandable foam or sealant as per section 9.1.6 of E2/AS1

Window liner

Note: Ensure to alternate spacings of fixings for battens and Locator Clips to avoid risk of splitting batten



ULLTRACLAD®
ALUMINIUM WEATHERBOARDS

ULLRICH ALUMINIUM CO LTD
PO Box 98 843 Manukau City Auckland 2241
118 Wiri Station Road Wiri 2104 New Zealand
TL 09 262 6262 Ext. 814 Mob 021 541 563

www.ulltracld.co.nz
© ULLRICH ALUMINIUM - All Rights Reserved

H09

Rev : 10

Window Head on Cavity
UA 7923 ULLTRALINE BOARD

HORIZONTAL CAVITY SYSTEM
Scale: 1 : 2 @ A4 - 2019

Brnz Appraisal #487 2019. (Horizontal)

Building underlay continuous around opening

Ultraclad® UA 7923 weatherboards (horizontal) fixed with Locator Clips fixed at Max 600 mm horizontal centres with 8g x 2" CSK Sq S/S self tapping screws through batten into stud

Cavity battens Refer V00 Batten Options

Ultraclad® UA 5833 Soffit Top Cap

Minimum 5 mm clearance to allow for thermal expansion

Screw through UA 7584 base at Max 600 mm horizontal centres with 8g x 2" CSK Sq. S/S self tapping screws through batten into stud

Interior lining

7.5 mm nominal gap

10

5 MIN

10 MIN

15mm *
10 mm min

Note: Ensure to alternate spacings of fixings for battens and Locator Clips to avoid risk of splitting batten

Note: Ensure negative groove (stable) is clear of Jamb flashing cover. Trim Ultraclad® weatherboard as required leaving rib for support as shown

Air seal to perimeter of trim cavity with expandable foam or sealant as per section 9.1.6 of E2AS1

Flexible flashing tape 100 mm minimum up jamb

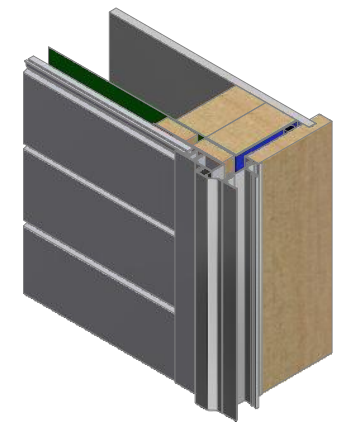
Window liner

Window frame (Note: Refer to window manufacturer for method of supporting and fixing)

Note: Underlay strips to isolate aluminium from treated timber battens Refer V00

Vertical track flashing 0.9 mm folded aluminium flashing (hemmed) 150 mm above window head. Alternatively use Dynex Dynaflash

Inseal 3109 – min 19 mm thick x 10 mm wide



ULLTRACLAD[®]
ALUMINIUM WEATHERBOARDS

ULLRICH ALUMINIUM CO LTD
PO Box 98 843 Manukau City Auckland 2241
118 Wiri Station Road Wiri 2104 New Zealand
TL 09 262 6262 Ext. 814 Mob 021 541 563

www.ulltracalad.co.nz

© ULLRICH ALUMINIUM - All Rights Reserved

H10

Rev : 10

Window Jamb on Cavity
UA 7923 ULLTRALINE BOARD

HORIZONTAL CAVITY SYSTEM

Scale: 1 : 2 @ A4 - 2019

Brnz Appraisal #487 2019. (Horizontal)

Window frame (Note: Refer to window manufacturer for method of supporting and fixing)

Window support bar for window openings wider than 600 mm. Support bar to comply with E2/AS1 9.1.10.5(v)

Ulltraclad® UA 5833 Soffit Top Cap clipped into UA 7584 mitred in corners to join with Jamb

Note: Ensure to alternate spacings of fixings for battens and Locator Clips to avoid risk of splitting batten

Minimum 5 mm clearance to allow for thermal expansion

Note: Underlay strips to isolate aluminium from treated timber battens Refer V00

Vertical track flashing 0.9 mm folded aluminium flashing (hemmed) 150 mm above window head. Alternatively use Dynex Dynafash

Ulltraclad® UA 7923 weatherboards (horizontal) fixed with Locator Clips fixed at Max 600 mm horizontal centres with 8g x 2" CSK Sq S/S self tapping screws through batten into stud

Vertical track flashing 0.9 mm folded aluminium flashing (hemmed) 150 mm above window head. Alternatively use Dynex Dynafash

Building underlay continuous around opening

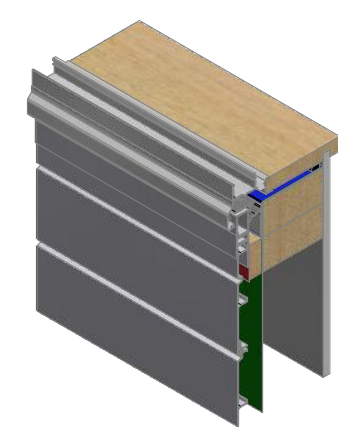
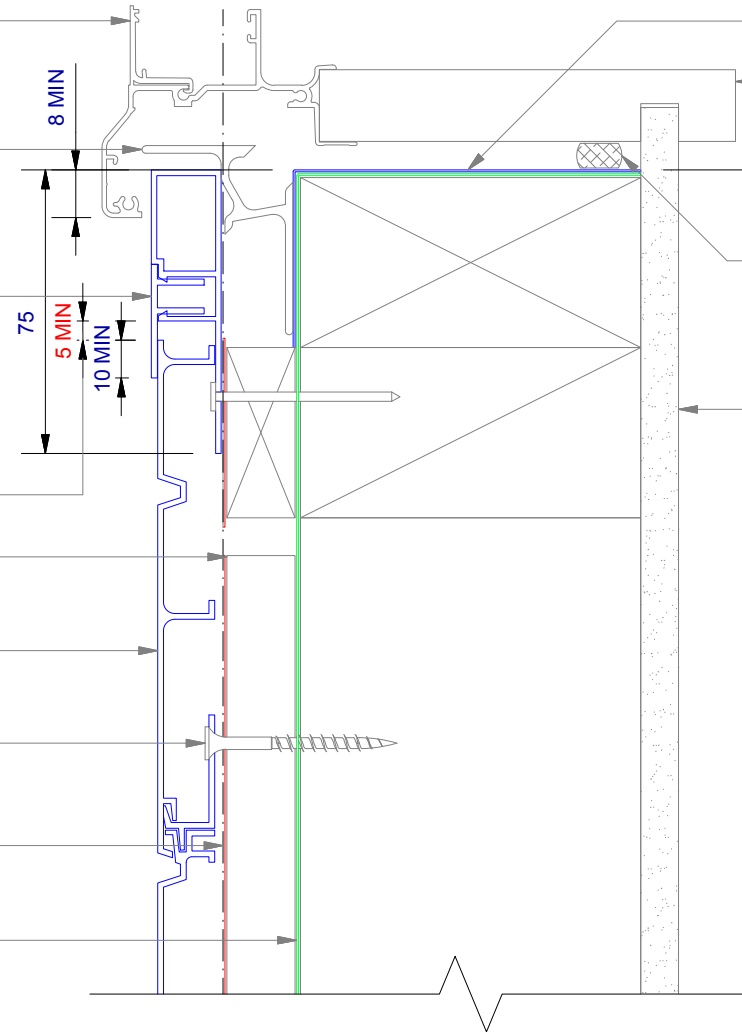
Flexible flashing tape along entire sill. 100 mm up each Jamb and 50 mm onto surface of building underlay

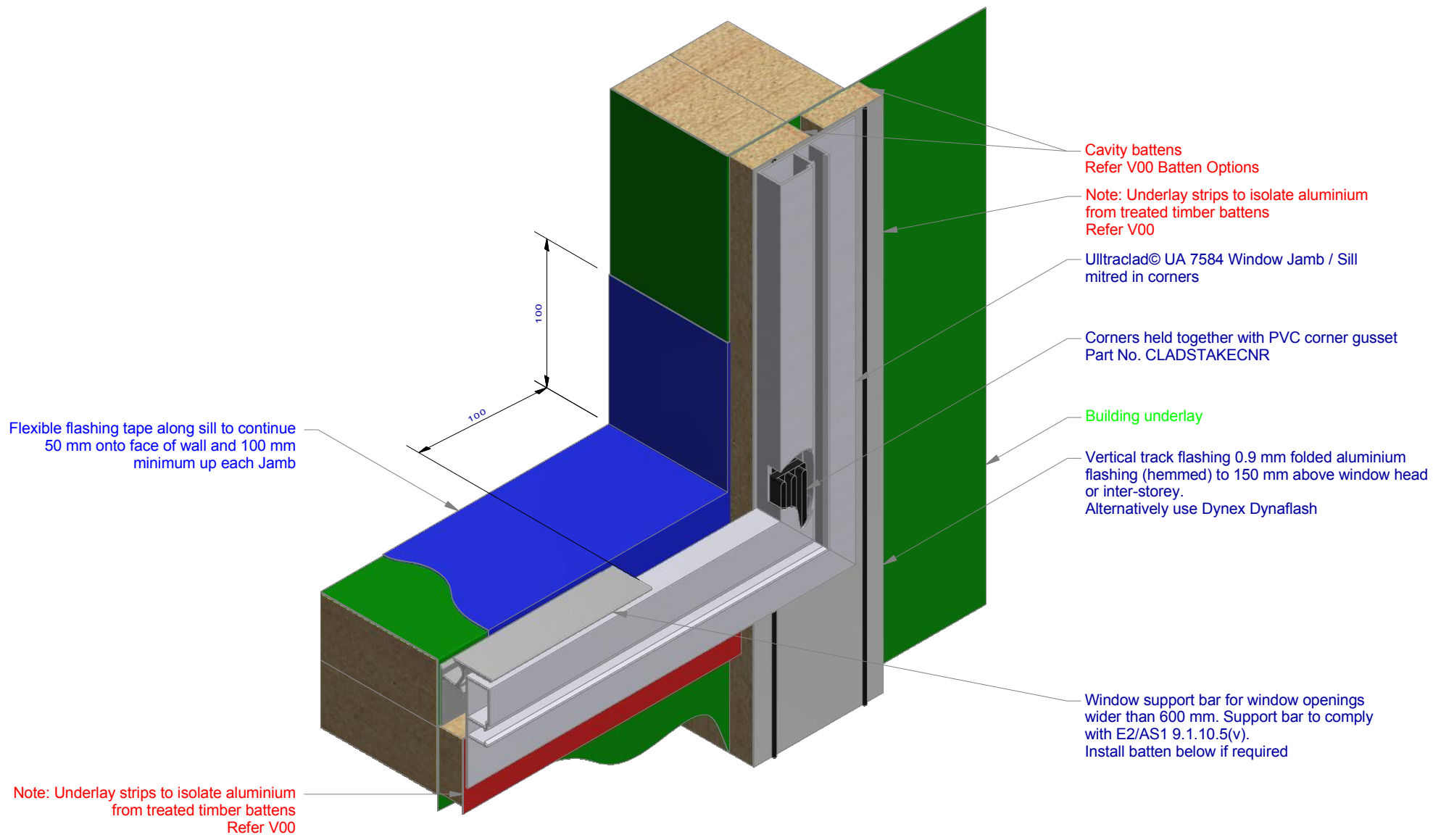
Window liner

7.5 mm nominal gap

Air seal to perimeter of trim cavity with expandable foam or sealant as per section 9.1.6 of E2/AS1

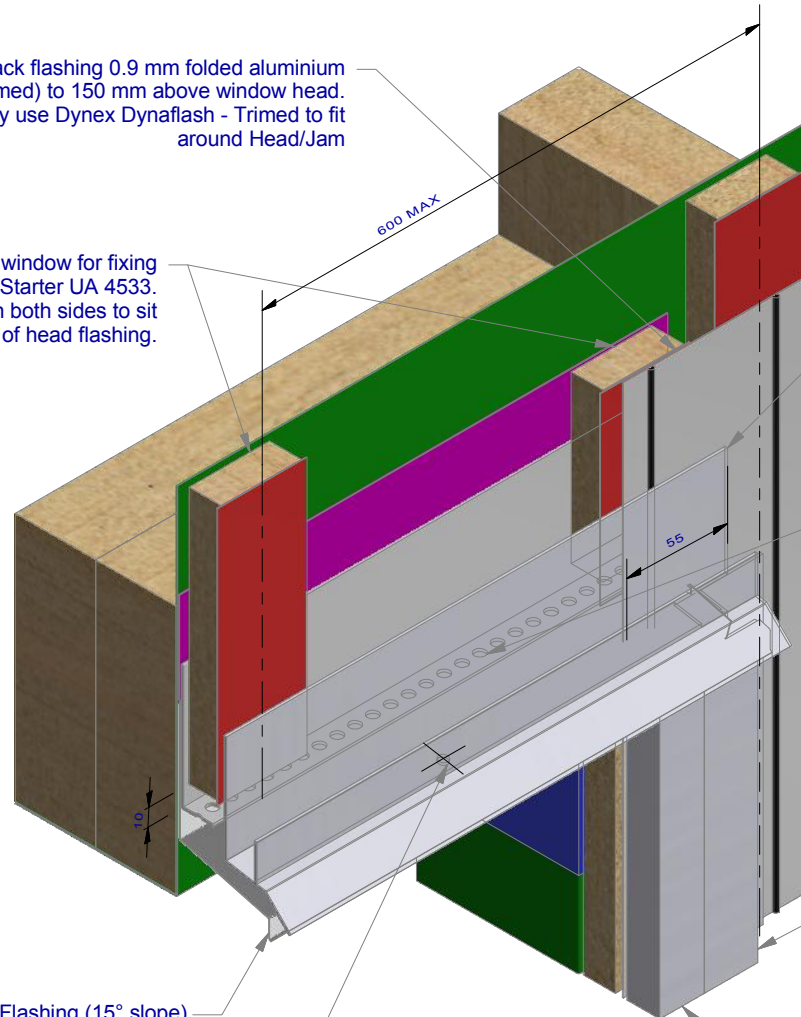
Interior lining





Vertical track flashing 0.9 mm folded aluminium flashing (hemmed) to 150 mm above window head. Alternatively use Dynex Dynafash - Trimmed to fit around Head/Jam

Battens above window for fixing window head Starter UA 4533. Outer batten both sides to sit inside stope of head flashing.



Window Head Flashing (15° slope) folded stop end. (Note: not supplied with Ulltraclad© system - contractor to supply as additional flashing)

Ulltraclad© UA 4533 Head Starter 5 mm diameter drainage holes drilled through base of Head Starter at 300 mm centres

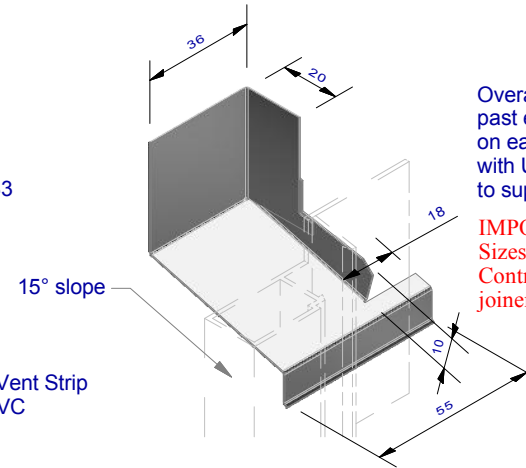
Ulltraclad© UA 4533 Head Starter

Ulltraclad© Cavity Vent Strip Alternatively use PVC

Ulltraclad© UA 5833 Soffit Clip Top. To finish flush with window head flashing and starter

Ulltraclad© UA 7584 Jamb Flashing

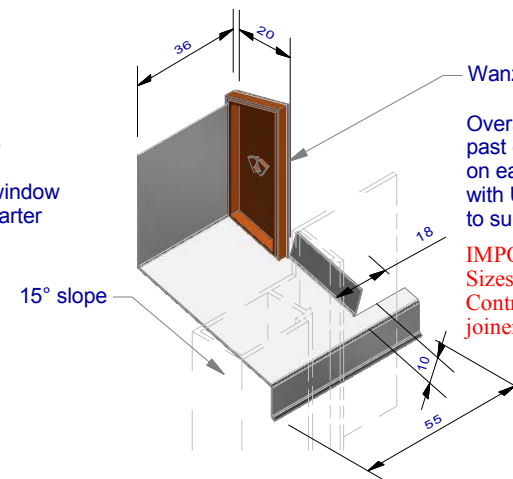
Window Head Flashing Option 1 Cut & Fold Stop End (1 : 2)



Overall Head Flashing length = +40 mm past edge of window and door joinery on each side. (Note: not supplied with Ulltraclad© system - contractor to supply as additional flashing)

IMPORTANT:
Sizes shown are indicative only!
Contractor to confirm onsite as joinery suites may vary

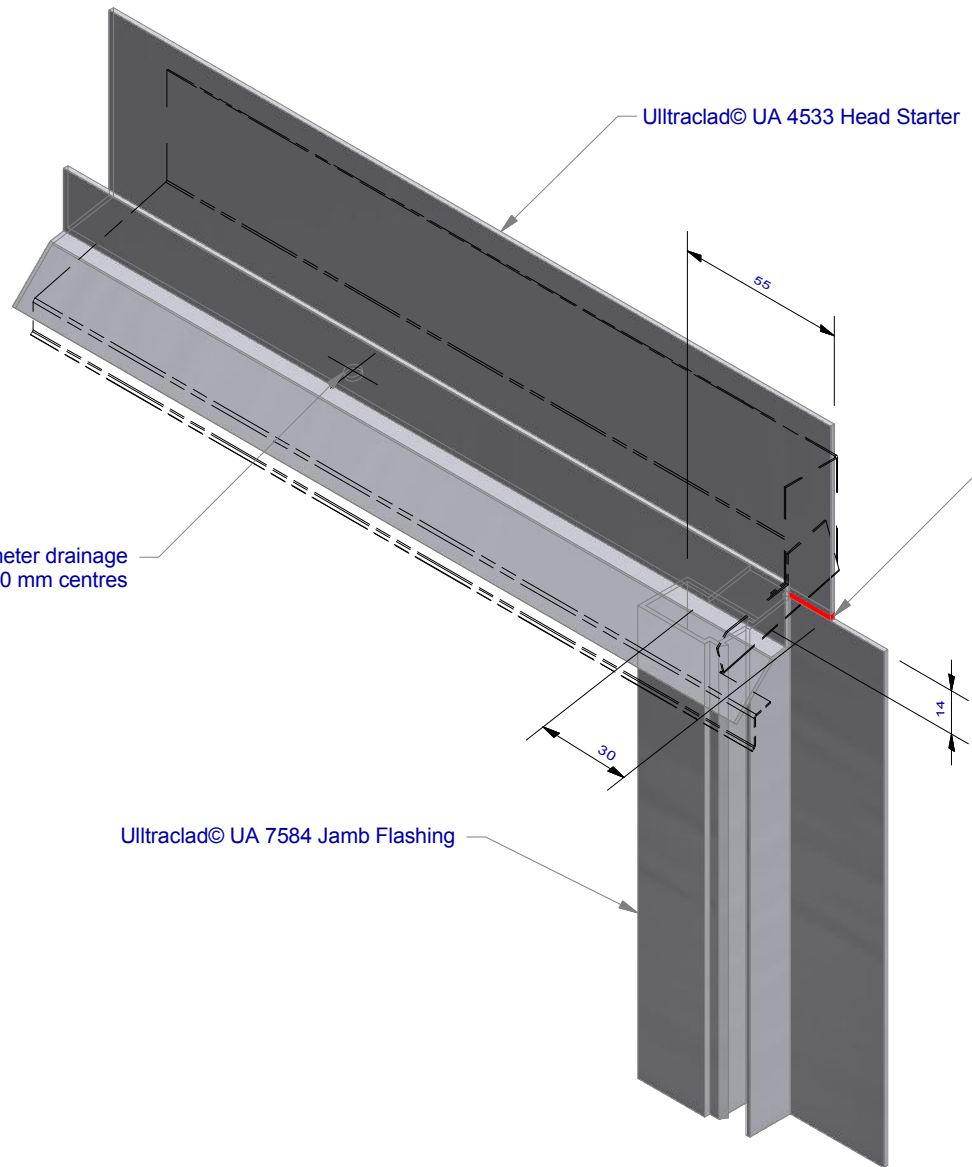
Window Head Flashing Option 2 Wanz Plastic Stop End Cap (1 : 2)



Wanz Plastic Stop End

Overall Head Flashing length = +40 mm past edge of window and door joinery on each side. (Note: not supplied with Ulltraclad© system - contractor to supply as additional flashing)

IMPORTANT:
Sizes shown are indicative only!
Contractor to confirm onsite as joinery suites may vary



Ulltraclad© UA 4533 Head Starter

IMPORTANT:
 Sizes shown are indicative only!
 Contractor to confirm onsite as
 joinery suites may vary

Applying sealant before fitting UA 4533
 sealant at facade

Note: Ulltraclad© UA 4533 Head Starter to extend
 40 mm past edge of window or door joinery.
 Building underlay, flashing tape and UA 5833
 omitted for clarity

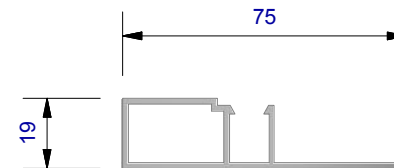
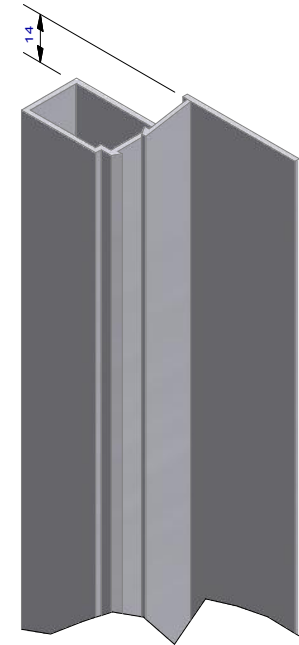
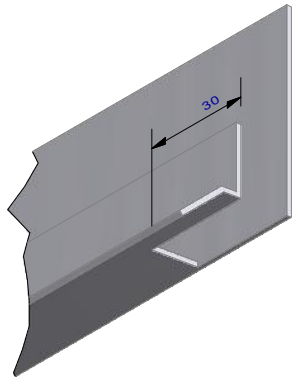
Ulltraclad© UA 4533 Head Starter 5 mm diameter drainage
 holes drilled through base of Head Starter at 300 mm centres

Ulltraclad© UA 7584 Jamb Flashing

Ultraclad® UA 4533 Head Starter 5 mm diameter drainage holes drilled through base of Head Starter at 300 mm centres



IMPORTANT:
 Sizes shown are indicative only!
 Contractor to confirm onsite as
 joinery suites may vary



ULLTRA CLAD®
 ALUMINIUM WEATHERBOARDS

ULLRICH ALUMINIUM CO LTD
 PO Box 98 843 Manukau City Auckland 2241
 118 Wiri Station Road Wiri 2104 New Zealand
 TL 09 262 6262 Ext. 814 Mob 021 541 563
 www.ulltraclad.co.nz
 © ULLRICH ALUMINIUM - All Rights Reserved

H15

Rev : 10

Head - Jamb Notching Details
 UA 7923 ULLTRALINE BOARD

HORIZONTAL CAVITY SYSTEM
 Scale: 1 : 2 @ A4 - 2019

Brnz Appraisal #487 2019. (Horizontal)

Ultraclad® UA 7923 weatherboards (horizontal) fixed with Locator Clips fixed at Max 600 mm horizontal centres with 8g x 2" CSK Sq S/S self tapping screws through batten into stud

Cavity batten
Refer V00 Batten Options

Note: Underlay strips to isolate aluminium from treated timber battens
Refer V00

Ultraclad® Cavity Vent Strip
Alternatively use PVC type

Fixed to lintel at 600 mm centres with 50 x 2.5 mm stainless steel clout

Vertical track flashing 0.9 mm folded aluminium flashing (hemmed) 150 mm above Meter Box head or inter-storey.
Alternatively use Dynex Dynafash

Ultraclad® UA 4533 Head Starter 5 mm diameter drainage holes drilled through base of flashing at 300 mm centres

Aluminium flashing 15° slope
(Note: not supplied with Ultraclad® system - contractor to supply as additional flashing, Stop end etc.)

20mm x 20mm angle sealed and riveted to meter box

Note: Ensure to alternate spacings of fixings for battens and Locator Clips to avoid risk of splitting batten

Building underlay continuous behind head flashing and into opening

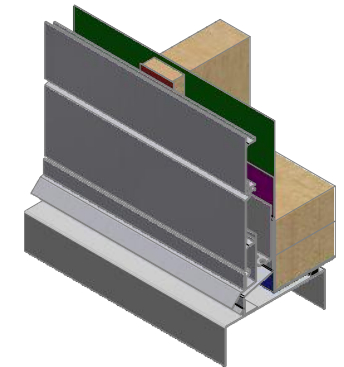
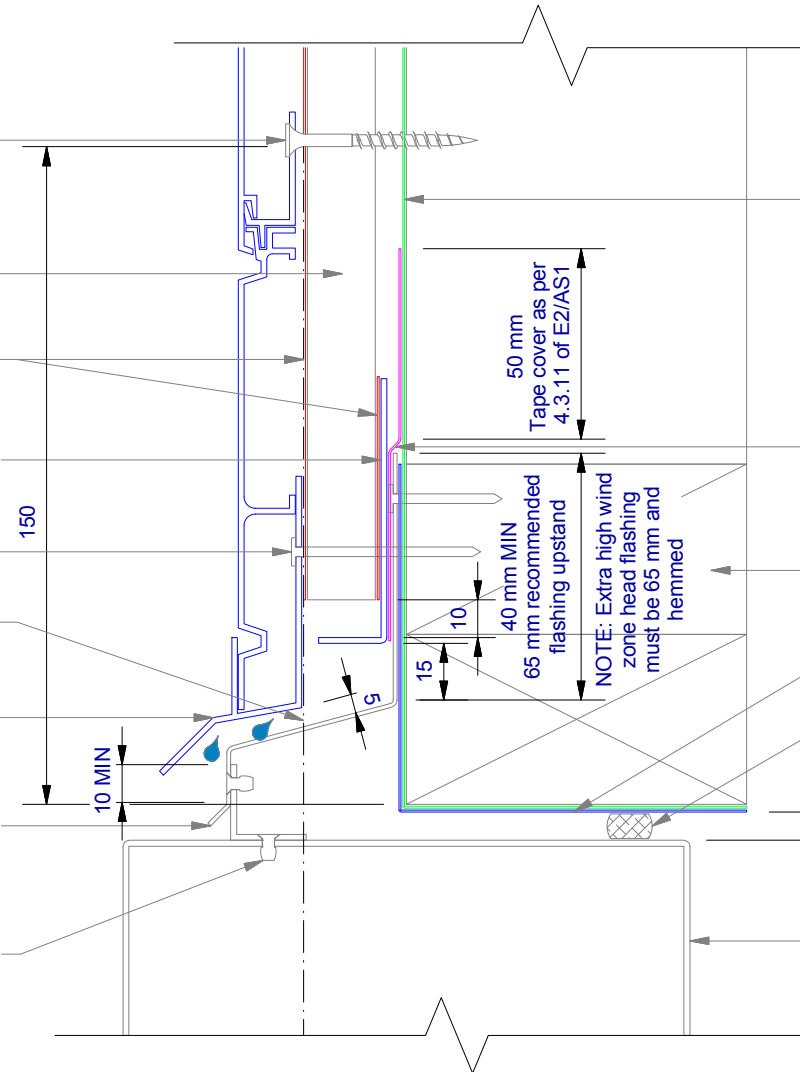
Flashing tape

Nog as required

Flexible flashing tape at corners

Air seal over PEF Rod around all sides of meter box

Meter box



ULLTRACLAD®
ALUMINIUM WEATHERBOARDS

ULLRICH ALUMINIUM CO LTD
PO Box 98 843 Manukau City Auckland 2241
118 Wiri Station Road Wiri 2104 New Zealand
TL 09 262 6262 Ext. 814 Mob 021 541 563

www.ulltraclad.co.nz

© ULLRICH ALUMINIUM - All Rights Reserved

H16

Rev : 10

Meter Box Head on Cavity
UA 7923 ULLTRALINE BOARD

HORIZONTAL CAVITY SYSTEM

Scale: 1 : 2 @ A4 - 2019

Brnz Appraisal #487 2019. (Horizontal)

Vertical track flashing 0.9 mm folded aluminium flashing (hemmed) 150 mm above Meter Box head. Alternatively use Dynex Dynaflash

Screw through UA 7584 base and fixed to framing with 8g x 2" CSK Sq. S/S self tapping screws

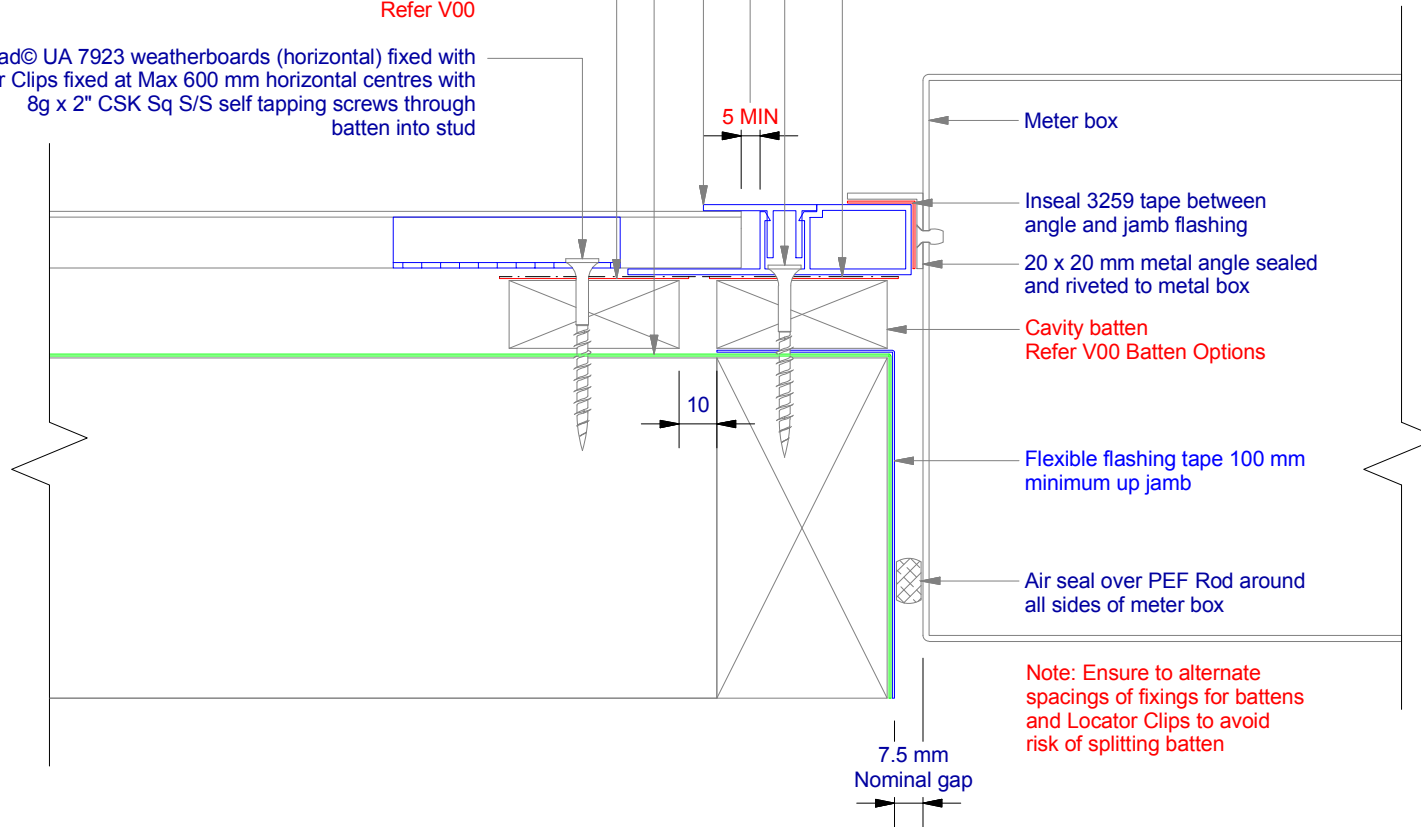
Minimum 5 mm clearance to allow for thermal expansion

Ulltraclad® UA 5833 Soffit Clip Top

Building underlay continuous around opening

Note: Underlay strips to isolate aluminium from treated timber battens Refer V00

Ulltraclad® UA 7923 weatherboards (horizontal) fixed with Locator Clips fixed at Max 600 mm horizontal centres with 8g x 2" CSK Sq S/S self tapping screws through batten into stud



Meter box

Inseal 3259 tape between angle and jamb flashing

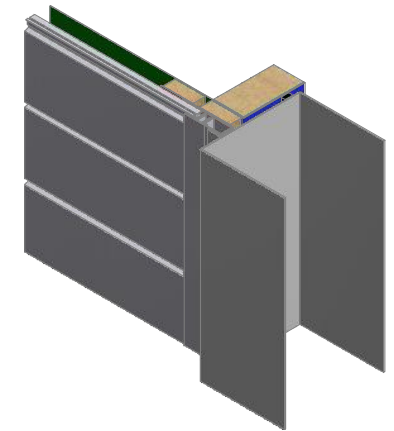
20 x 20 mm metal angle sealed and riveted to metal box

Cavity batten Refer V00 Batten Options

Flexible flashing tape 100 mm minimum up jamb

Air seal over PEF Rod around all sides of meter box

Note: Ensure to alternate spacings of fixings for battens and Locator Clips to avoid risk of splitting batten



ULLTRA CLAD®
ALUMINIUM WEATHERBOARDS

ULLRICH ALUMINIUM CO LTD
PO Box 98 843 Manukau City Auckland 2241
118 Wiri Station Road Wiri 2104 New Zealand
TL 09 262 6262 Ext. 814 Mob 021 541 563

www.ulltraclad.co.nz

© ULLRICH ALUMINIUM - All Rights Reserved

H17

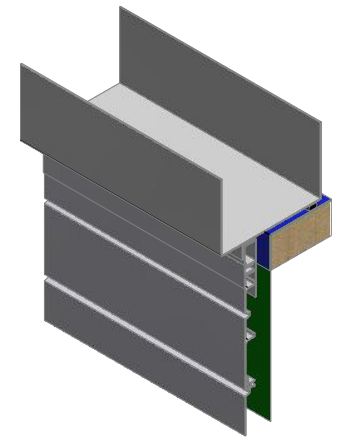
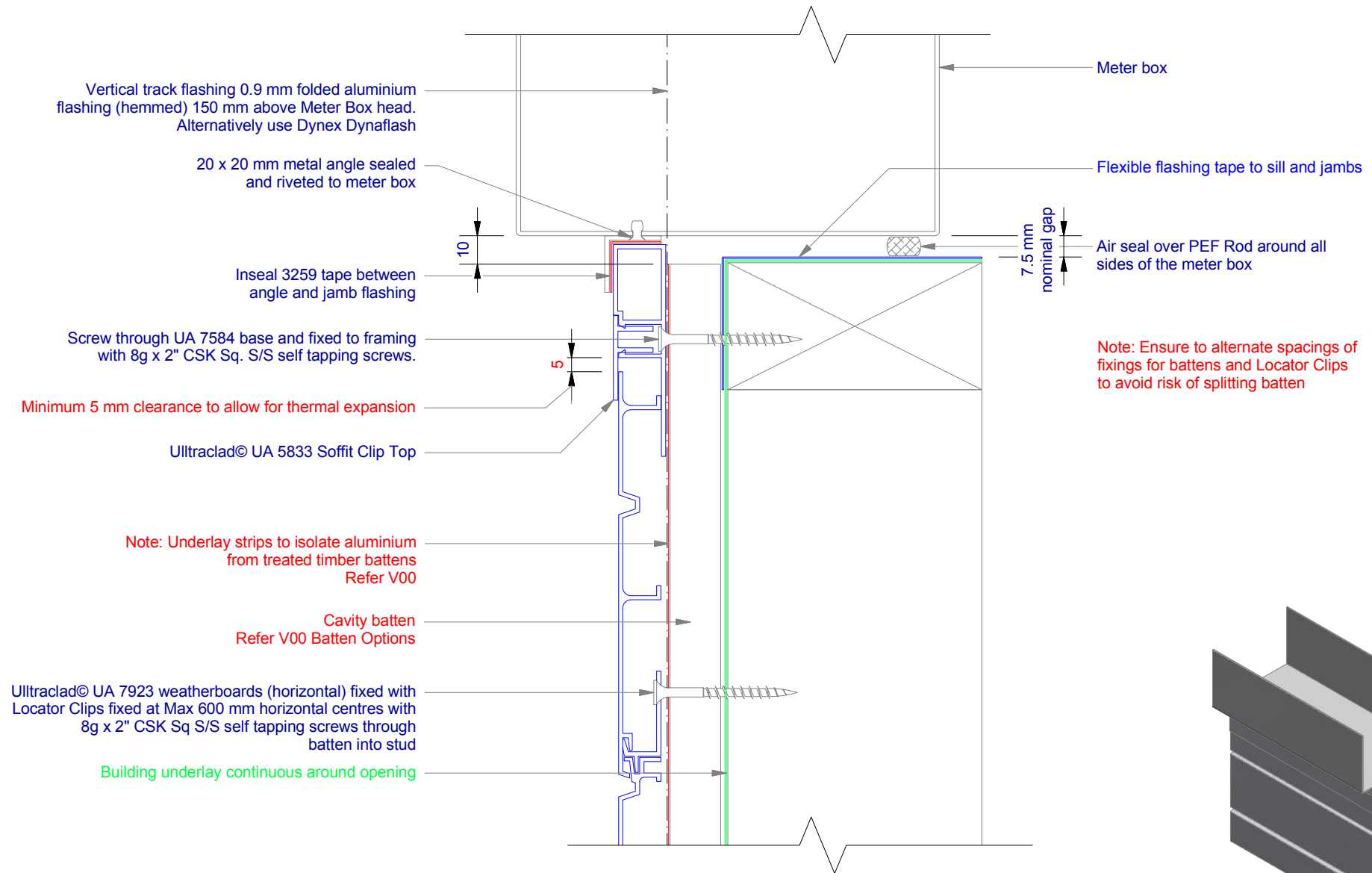
Rev : 10

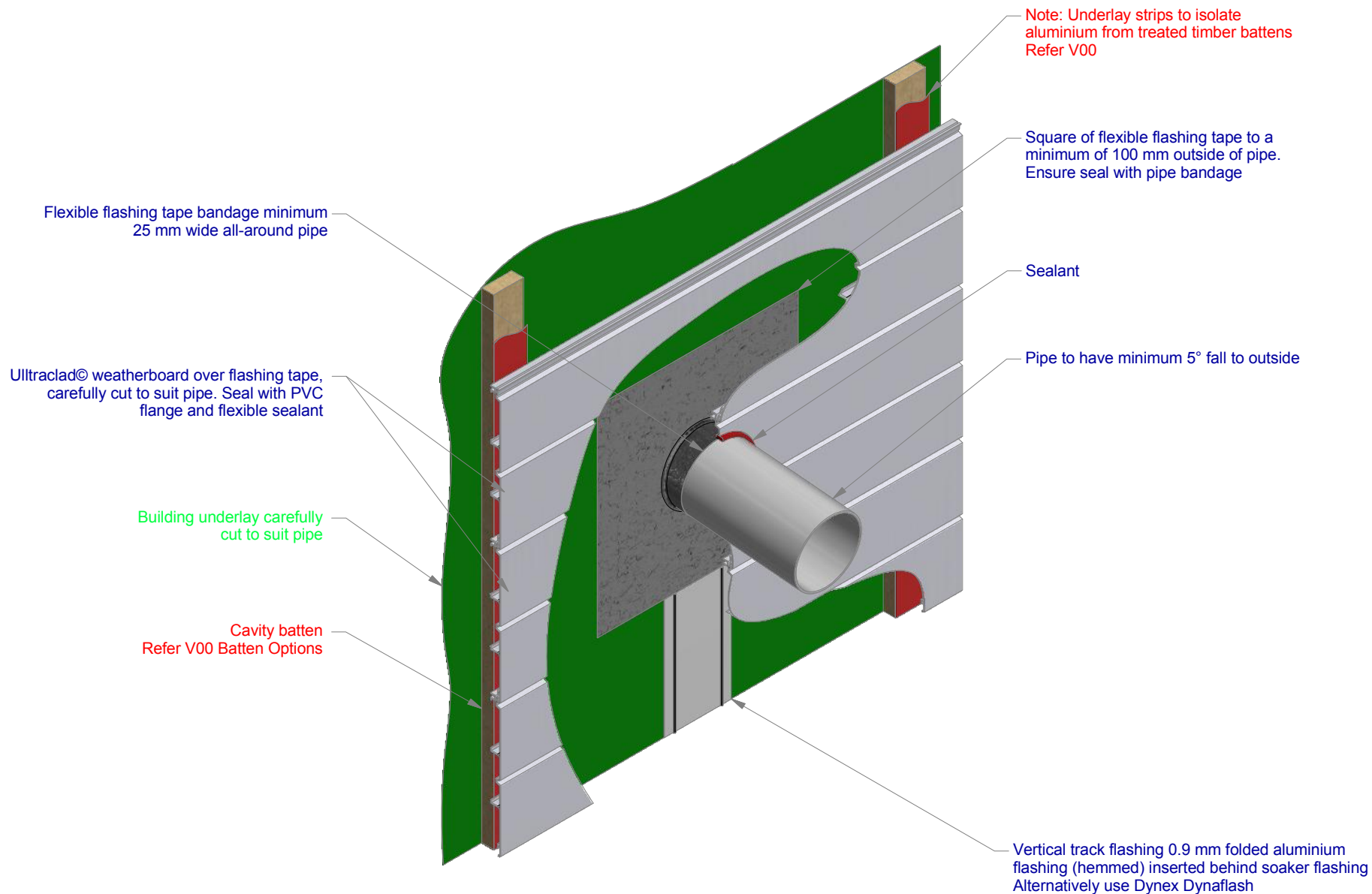
Meter Box Jamb on Cavity
UA 7923 ULLTRALINE BOARD

HORIZONTAL CAVITY SYSTEM

Scale: 1 : 2 @ A4 - 2019

Brnz Appraisal #487 2019. (Horizontal)





Ultraclad® UA 7922 weatherboards (horizontal) fixed with Locator Clips fixed at Max 600 mm horizontal centres with 8g x 2" CSK Sq S/S self tapping screws through batten into stud

Building underlay over apron flashing

Cavity batten
Refer V00 Batten Options

Note: Underlay strips to isolate aluminium from treated timber battens.
Refer V00

Ultraclad® Cavity Vent Strip
Alternatively use PVC type

Ultraclad® UA 4863 Vertical Starter alternatively use UA 4862. 5 mm diameter drainage hole drilled through base of Vertical Starter at 300 mm centres

Apron flashing with 75 mm up stand cover behind cladding

Turn-down to suit roofing profile

Note: Ensure to alternate spacings of fixings for battens and Locator Clips to avoid risk of splitting batten

Nog as required

75 mm MIN cover above bottom of weatherboard

110 MIN Total

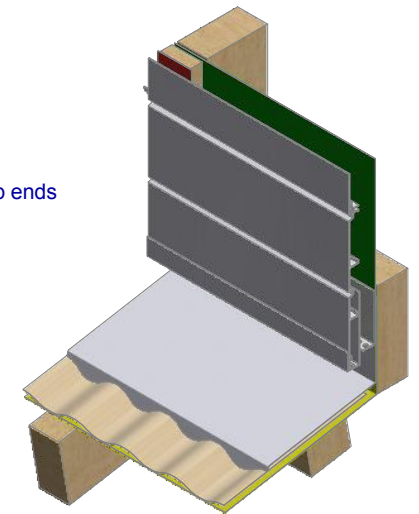
35 MIN clear gap

10

Roofing underlay turned up under flashing

Selected roofing with stop ends

Flashing length
See Table 7 E2/AS1



ULLTRACLAD®
ALUMINIUM WEATHERBOARDS

ULLRICH ALUMINIUM CO LTD
PO Box 98 843 Manukau City Auckland 2241
118 Wiri Station Road Wiri 2104 New Zealand
TL 09 262 6262 Ext. 814 Mob 021 541 563

www.ulltraclad.co.nz

© ULLRICH ALUMINIUM - All Rights Reserved

H20

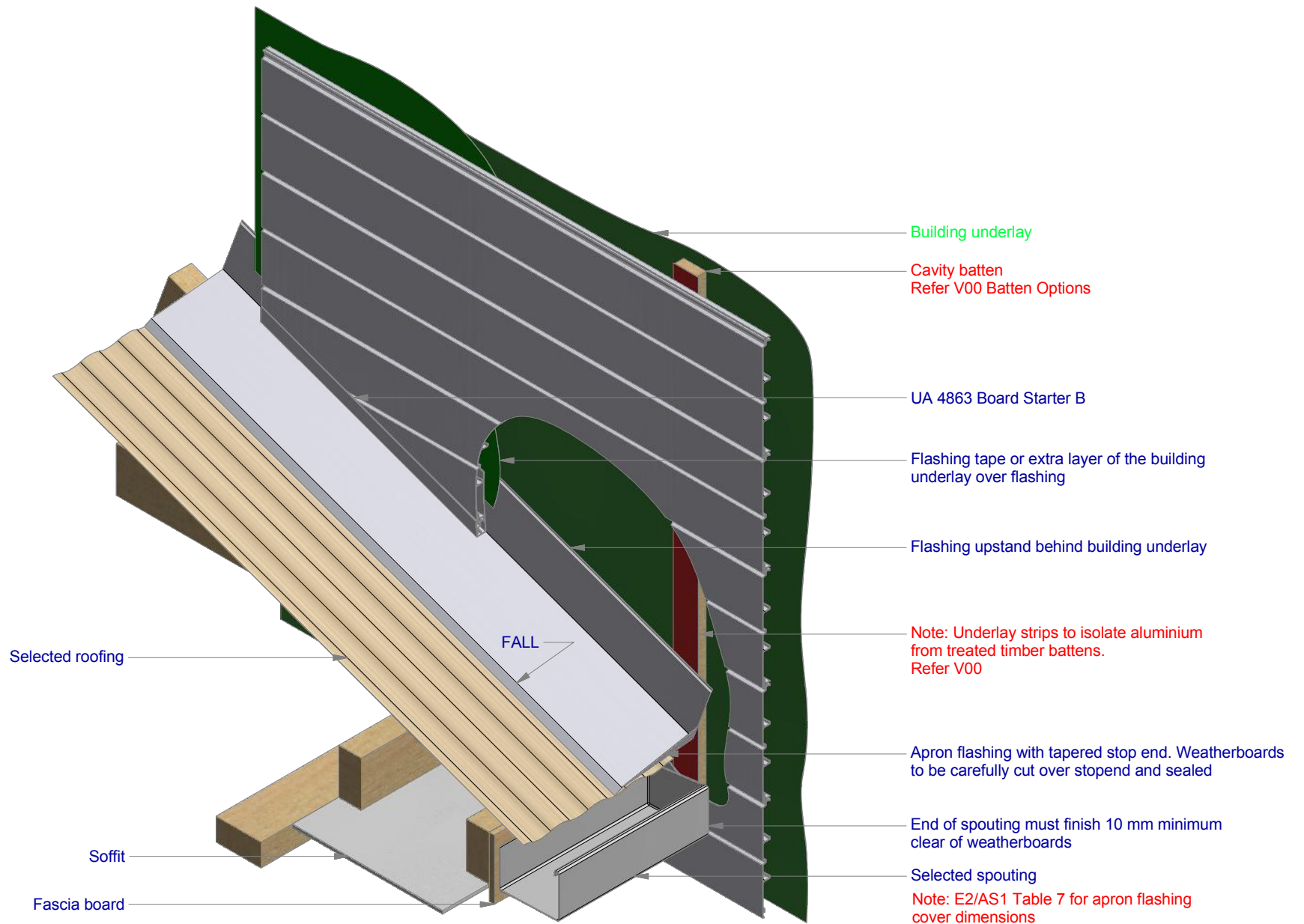
Rev : 10

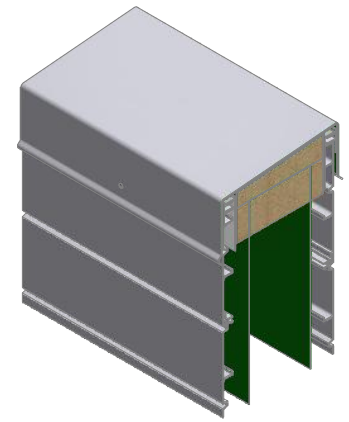
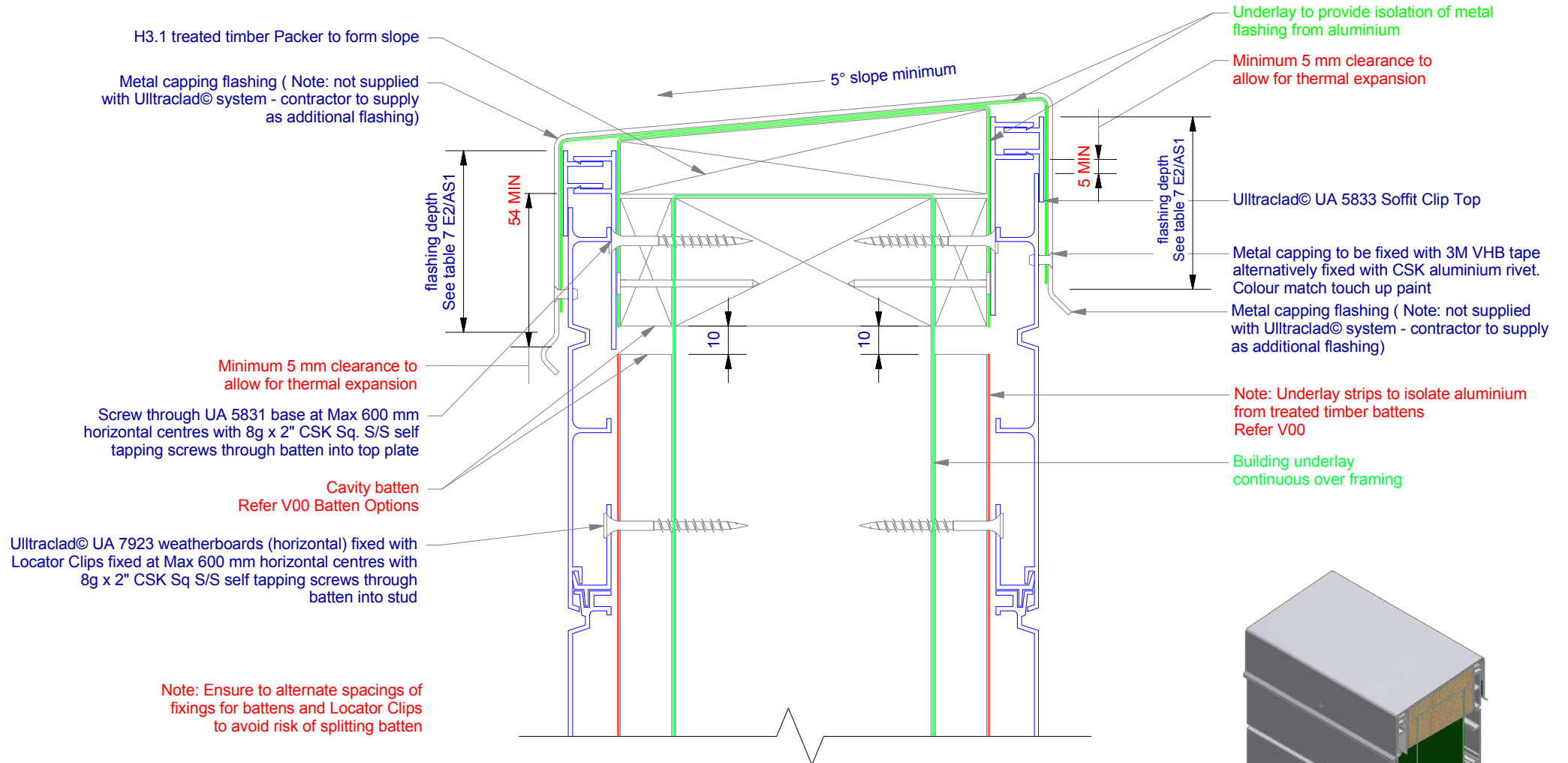
Roof-Wall Junction on Cavity
UA 7923 ULLTRALINE BOARD

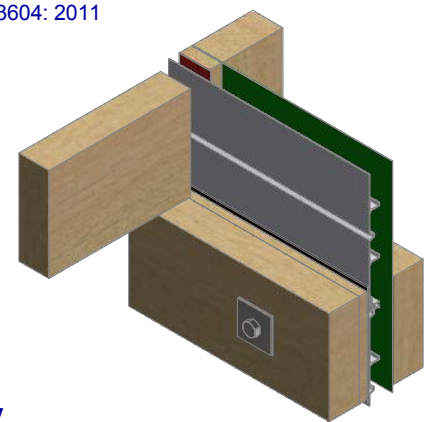
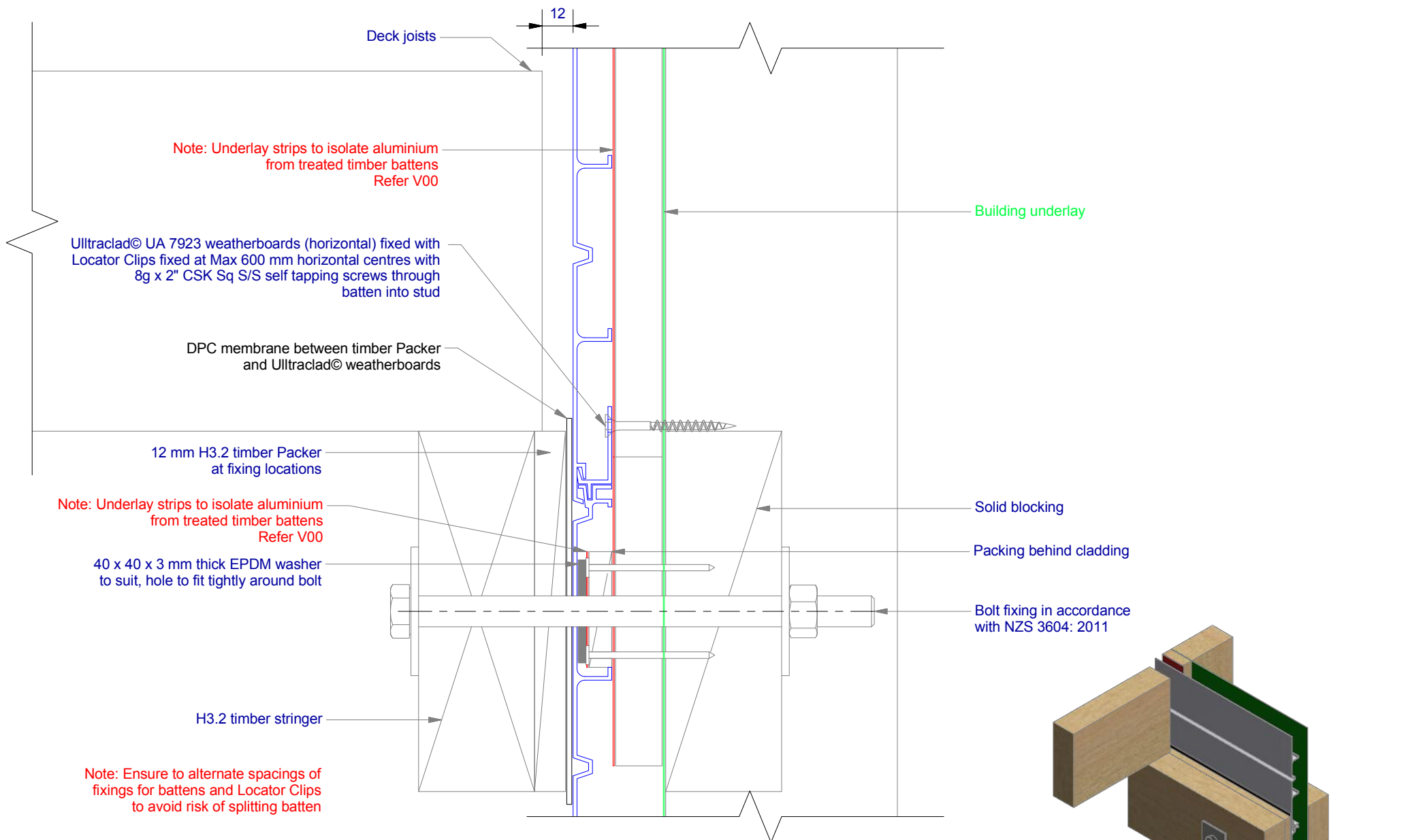
HORIZONTAL CAVITY SYSTEM

Scale: 1 : 3 @ A4 - 2019

Brnz Appraisal #487 2019. (Horizontal)







ULLTRA CLAD[®]
ALUMINIUM WEATHERBOARDS

ULLRICH ALUMINIUM CO LTD
PO Box 98 843 Manukau City Auckland 2241
118 Wiri Station Road Wiri 2104 New Zealand
TL 09 262 6262 Ext. 814 Mob 021 541 563

www.ulltraclad.co.nz

© ULLRICH ALUMINIUM - All Rights Reserved

H23

Rev : 10

Deck Junction on Cavity
UA 7923 ULLTRALINE BOARD

HORIZONTAL CAVITY SYSTEM

Scale: 1 : 2 @ A4 - 2019

Brnz Appraisal #487 2019. (Horizontal)

Note: Ensure to alternate spacings of fixings for battens and Locator Clips to avoid risk of splitting batten

Ulltraclad® UA 7923 weatherboards (horizontal) fixed with Locator Clips fixed at Max 600 mm horizontal centres with 8g x 2" CSK Sq S/S self tapping screws through batten into stud

Building underlay

Note: Underlay strips to isolate aluminium from treated timber battens Refer V00

Flashing tape

Ulltraclad® UA 4862 Board Starter or alternatively use UA 4863 fixed to bottom plate with 50 x 2.5 mm clouts at 600 mm centres

Ulltraclad® UA 7919 Inter-Storey Flashing

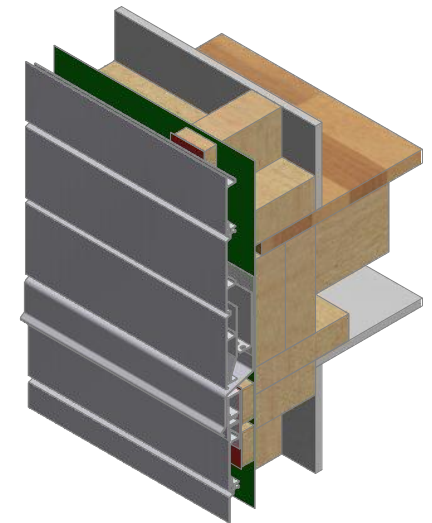
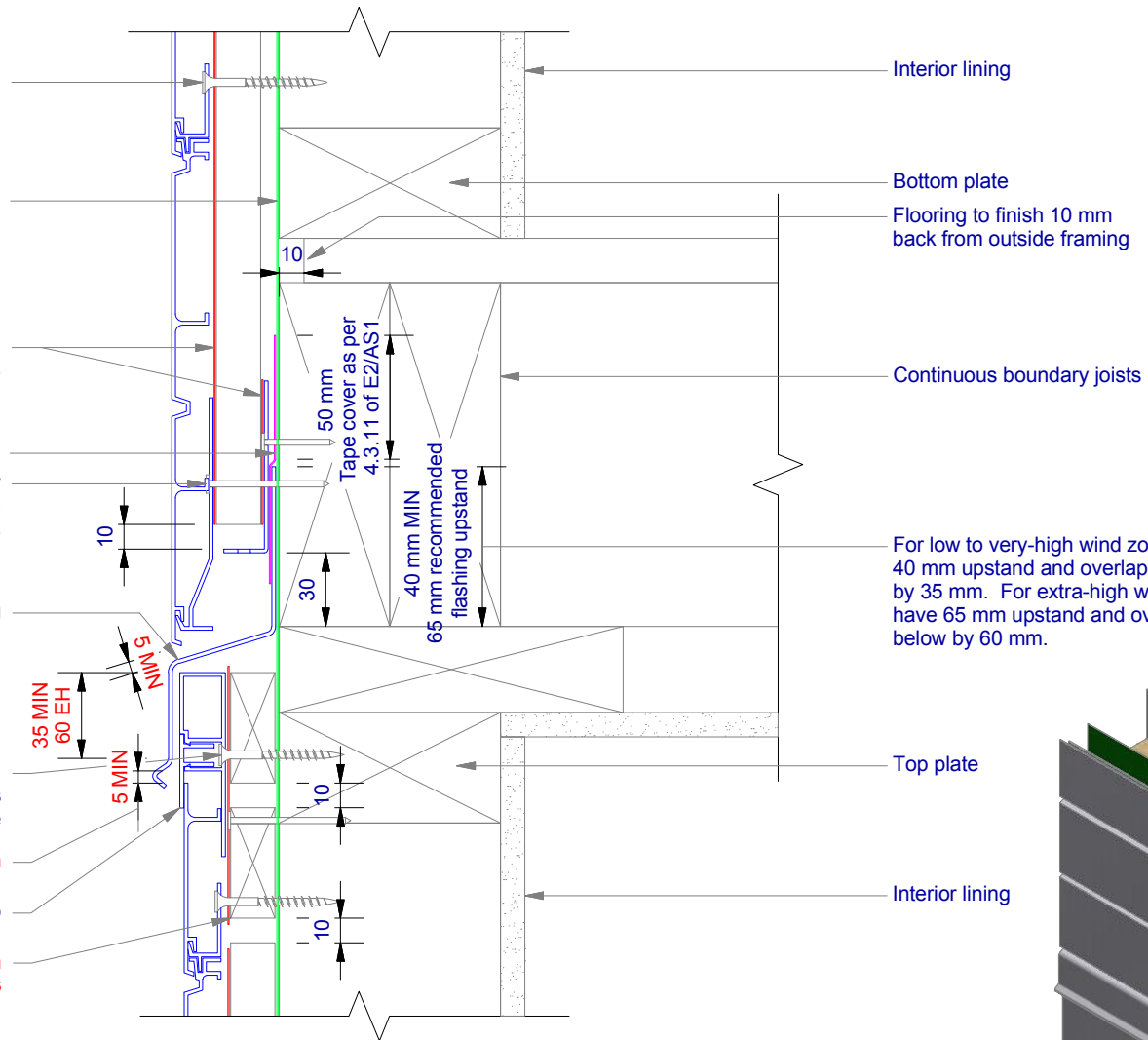
Screw through UA 7584 base at Max 600 mm horizontal centres with 8g x 2" CSK Sq. S/S self tapping screws through batten into frame

Minimum 5 mm clearance to allow for thermal expansion

Ulltraclad® UA 5833 Soffit Clip Top

Cavity batten Refer V00 Batten Options

Note: this detail is required to limit cavities to 2 storeys or 7 m Max - Refer E2/AS1 clause 9.1.9.4



ULLTRACLAD®
ALUMINIUM WEATHERBOARDS

ULLRICH ALUMINIUM CO LTD
PO Box 98 843 Manukau City Auckland 2241
118 Wiri Station Road Wiri 2104 New Zealand
TL 09 262 6262 Ext. 814 Mob 021 541 563

www.ulltraclad.co.nz

© ULLRICH ALUMINIUM - All Rights Reserved

H24

Rev : 10

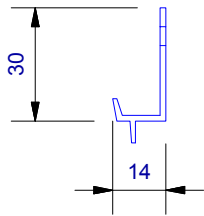
Inter-Storey Junction on Cavity
UA 7923 ULLTRALINE BOARD

HORIZONTAL CAVITY SYSTEM

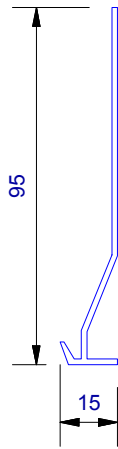
Scale: 1 : 3 @ A4 - 2019

Brnz Appraisal #487 2019. (Horizontal)

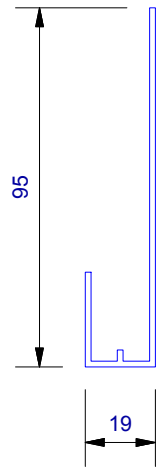
UA 4535
Locator Clip



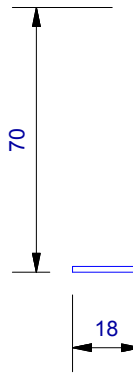
UA 4862
Board Starter A



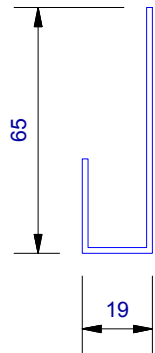
UA 4863
Board Starter B



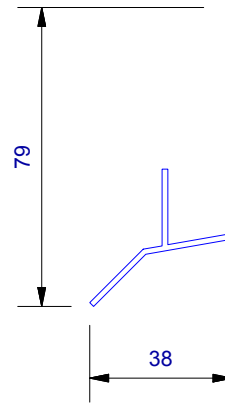
Cavity Vent Strip



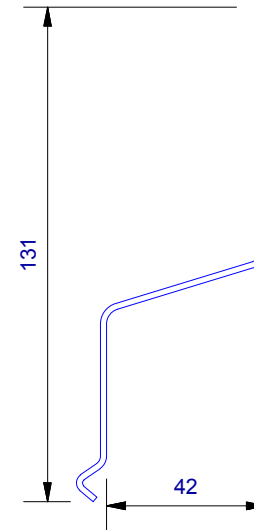
UA 4532
J Moulding



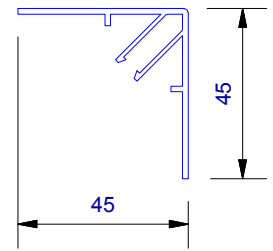
UA 4533
Head Starter



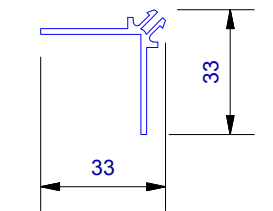
UA 7919
Inter - Storey Flashing



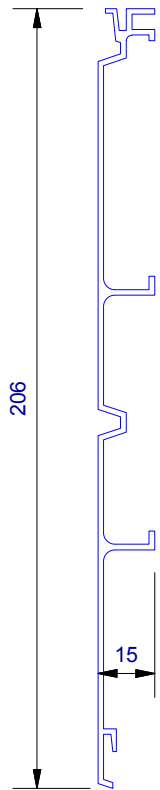
UA 7094
Female Flat Corner



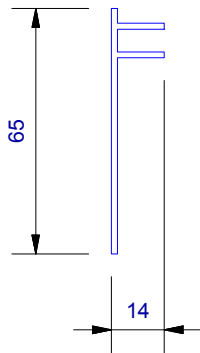
UA 7095
Male Flat Corner



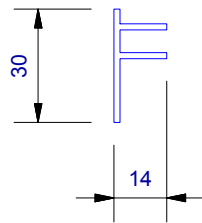
UA 7923
Ultraline Board



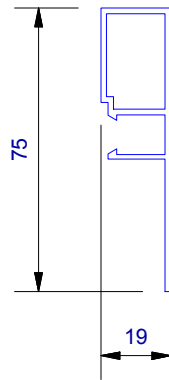
UA 5832
Soffit 65mm Clip Top



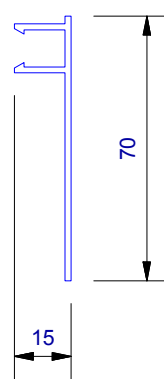
UA 5833
Soffit 30mm Clip Top



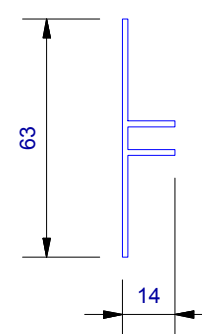
UA 7584
Jamb/Sill Clip Base



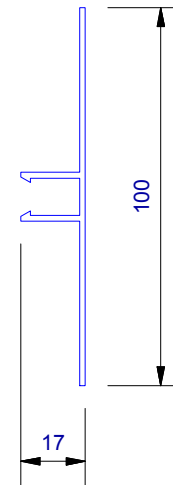
UA 5831
Soffit Clip Base



UA 7096
Flat Joints Top



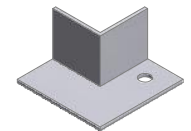
UA 6324
2 Piece Joints Base



CLADCNRCAPE
External Corner Cap (1 : 3)



CLADCNRCAPI
Internal Corner Cap (1 : 3)



CLADSTAKECNR
Plastic Staking Corner (1 : 3)

