

Building underlay over Apron flashing

Ulltraclad® UA 7922 weatherboards fixed with Locator Clips fixed at Max 600 mm vertical centres with 8g x 2" CSK Sq S/S self tapping screws through batten into dwang / nog

Ulltraclad® Cavity Vent Strip Alternatively use PVC type

Cavity batten Refer V00 Batten Options

Note: Underlay strips to isolate aluminium from treated timber battens. Refer V00

Ulltraclad® UA 4863 Vertical Starter. 5 mm diameter drainage hole drilled through base of Vertical Starter at 300 mm centres

Apron flashing with 75 mm up stand cover behind cladding

Turn-down to suit roofing profile

Flashing length See Table 7 E2/AS1

Note: Ensure to alternate spacings of fixings for battens and Locator Clips to avoid risk of splitting batten

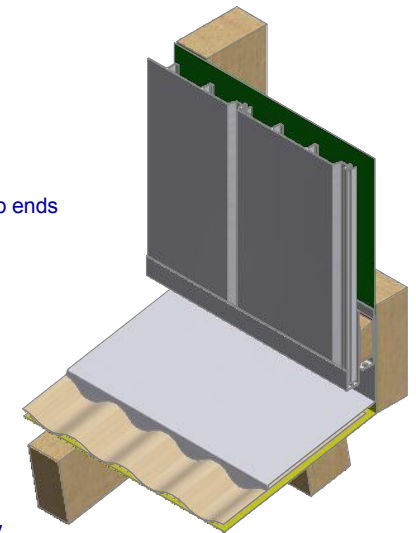
Nog as required

75 mm MIN cover above bottom of weatherboard

110 MIN Total

Roofing underlay turned up under flashing

Selected roofing with stop ends



**ULLTRACLAD**<sup>®</sup>  
ALUMINIUM WEATHERBOARDS

ULLRICH ALUMINIUM CO LTD  
PO Box 98 843 Manukau City Auckland 2241  
118 Wiri Station Road Wiri 2104 New Zealand  
TL 09 262 6262 Ext. 814 Mob 021 541 563

www.ulltraclad.co.nz  
© ULLRICH ALUMINIUM - All Rights Reserved

**V19**

Rev : 10

**Roof-Wall Junction on Cavity**  
**UA 7922 SHIPLAP BOARD**

**VERTICAL CAVITY SYSTEM**  
Scale: 1 : 3 @ A4 - 2019

Brnz Appraisal #796 2019. (Vertical)