

Vertical track flashing 0.9 mm folded aluminium flashing (hemmed) 150 mm above Meter Box head.  
Alternatively use Dynex Dynafash

Screw through UA 7584 base and fixed to framing with 8g x 2" CSK Sq. S/S self tapping screws

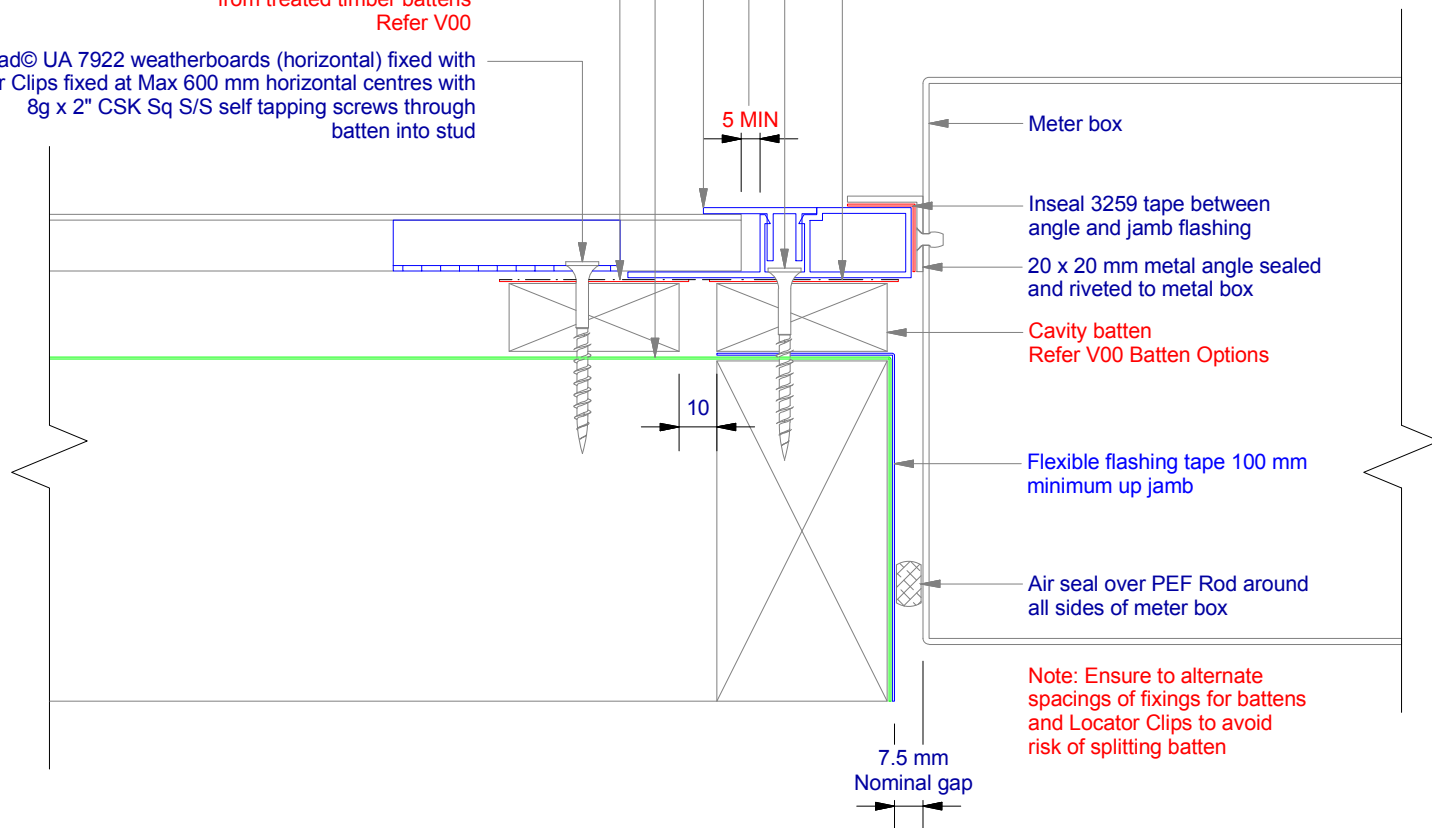
Minimum 5 mm clearance to allow for thermal expansion

Ulltraclad® UA 5833 Soffit Clip Top

Building underlay continuous around opening

Note: Underlay strips to isolate aluminium from treated timber battens  
Refer V00

Ulltraclad® UA 7922 weatherboards (horizontal) fixed with Locator Clips fixed at Max 600 mm horizontal centres with 8g x 2" CSK Sq S/S self tapping screws through batten into stud



Meter box

Inseal 3259 tape between angle and jamb flashing

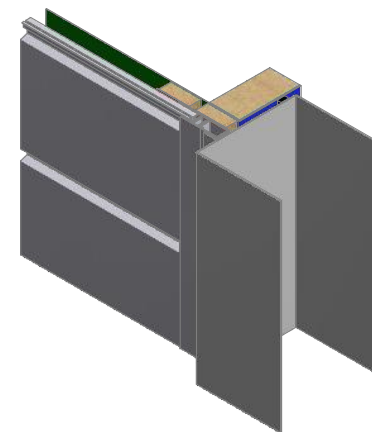
20 x 20 mm metal angle sealed and riveted to metal box

Cavity batten  
Refer V00 Batten Options

Flexible flashing tape 100 mm minimum up jamb

Air seal over PEF Rod around all sides of meter box

Note: Ensure to alternate spacings of fixings for battens and Locator Clips to avoid risk of splitting batten



**ULLTRACLAD**®  
ALUMINIUM WEATHERBOARDS

ULLRICH ALUMINIUM CO LTD  
PO Box 98 843 Manukau City Auckland 2241  
118 Wiri Station Road Wiri 2104 New Zealand  
TL 09 262 6262 Ext. 814 Mob 021 541 563

www.ulltraclad.co.nz

© ULLRICH ALUMINIUM - All Rights Reserved

**H17**

Rev : 10

**Meter Box Jamb on Cavity**  
**UA 7922 SHIPLAP BOARD**

**HORIZONTAL CAVITY SYSTEM**

Scale: 1 : 2 @ A4 - 2019

Brnz Appraisal #487 2019. (Horizontal)