

Building underlay continuous behind head flashing and into opening

Ultraclad® UA 7922 weatherboards (horizontal) fixed with Locator Clips fixed at Max 600 mm horizontal centres with 8g x 2" CSK Sq S/S self tapping screws through batten into stud

Flashing tape

Cavity batten
Refer V00 Batten Options

Note: Underlay strips to isolate aluminium from treated timber battens
Refer V00

Batten may require machining to allow for the thickness of Flashings & Tapes

Ultraclad® Cavity Vent Strip
Alternatively use PVC

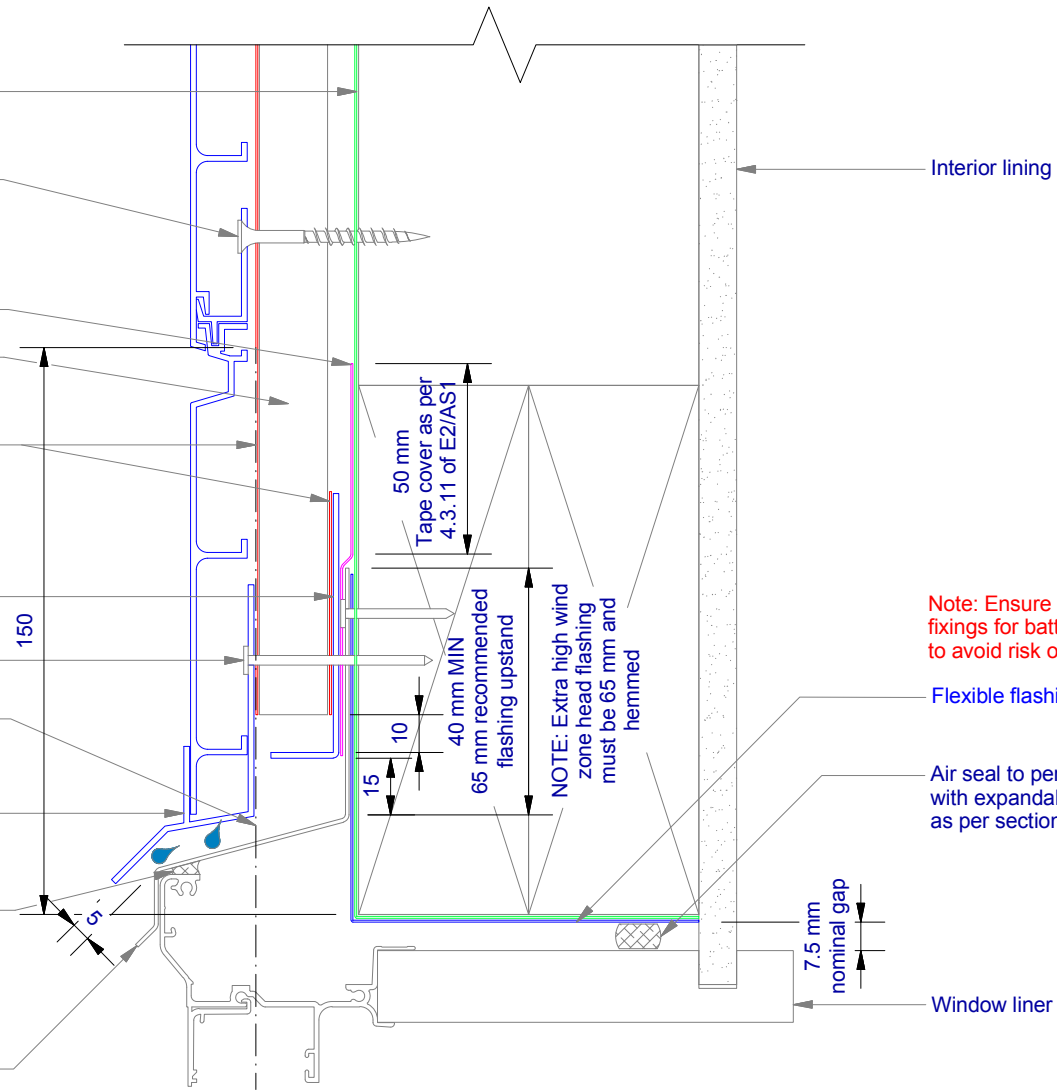
Fixed to lintel at 600 mm centres with 50 x 2.5 mm stainless steel clout

Vertical track flashing 0.9 mm folded aluminium flashing (hemmed) 150 mm above window head or inter-storey.
Alternatively use Dynex Dynafash

Ultraclad® UA 4533 Head Starter 5 mm diameter drainage holes drilled through base of Head Starter at 300 mm centres

Sealant between head flashing and window flange in Very High Wind Zone and above reference figure 71 (c), E2/AS1

Window head flashing (15° slope) folded stop end. (Note: not supplied with Ultraclad® system - contractor to supply as additional flashing)



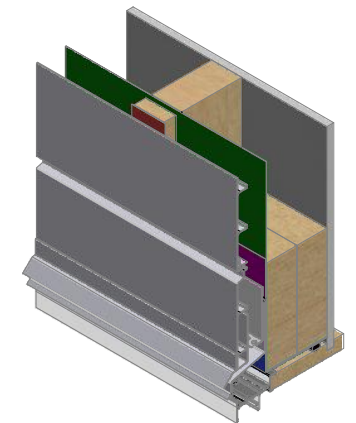
Interior lining

Flexible flashing tape at corners

Air seal to perimeter of trim cavity with expandable foam or sealant as per section 9.1.6 of E2/AS1

Window liner

Note: Ensure to alternate spacings of fixings for battens and Locator Clips to avoid risk of splitting batten



ULLTRA CLAD[®]
ALUMINIUM WEATHERBOARDS

ULLRICH ALUMINIUM CO LTD
PO Box 98 843 Manukau City Auckland 2241
118 Wiri Station Road Wiri 2104 New Zealand
TL 09 262 6262 Ext. 814 Mob 021 541 563

www.ulltraclad.co.nz

© ULLRICH ALUMINIUM - All Rights Reserved

H09

Rev : 10

Window Head on Cavity
UA 7922 SHIPLAP BOARD

HORIZONTAL CAVITY SYSTEM

Scale: 1 : 2 @ A4 - 2019

Brnz Appraisal #487 2019. (Horizontal)