

Locator Clips fixed at Max 600 mm horizontal centres with 8g x 2" CSK Sq S/S self tapping screws through batten into stud

Vertical cavity batten (corners only) fixed with 6g x 1.25" CSK Sq S/S pre-drilled screws through batten into stud

5 MIN

Minimum 5 mm clearance to allow for thermal expansion

Ultraclad® UA 7094 Female Corner Flashing

Ultraclad® UA 7095 Male Corner Flashing fixed to timber battens with 30 x 2.5 mm stainless steel clouts at 600 mm vertical centres

5 MIN

Ultraclad® UA 7922 weatherboard (horizontal)

Note: Underlay strips to isolate aluminium from treated timber battens Refer V00

Cavity batten Refer V00 Batten Options

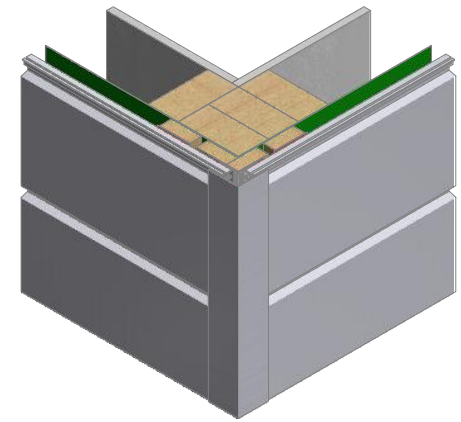
Locator Clip UA 4535

Building underlay continuous around corner

Wall frame

Interior lining

Note: Ensure to alternate spacings of fixings for battens and Locator Clips to avoid risk of splitting batten



ULLTRACLAD®
ALUMINIUM WEATHERBOARDS

ULLRICH ALUMINIUM CO LTD
PO Box 98 843 Manukau City Auckland 2241
118 Wiri Station Road Wiri 2104 New Zealand
TL 09 262 6262 Ext. 814 Mob 021 541 563
www.ulltraclad.co.nz
© ULLRICH ALUMINIUM - All Rights Reserved

H01
Rev : 10

External Corner on Cavity
UA 7922 SHIPLAP BOARD

HORIZONTAL CAVITY SYSTEM
Scale: 1 : 2 @ A4 - 2019

Brnz Appraisal #487 2019. (Horizontal)