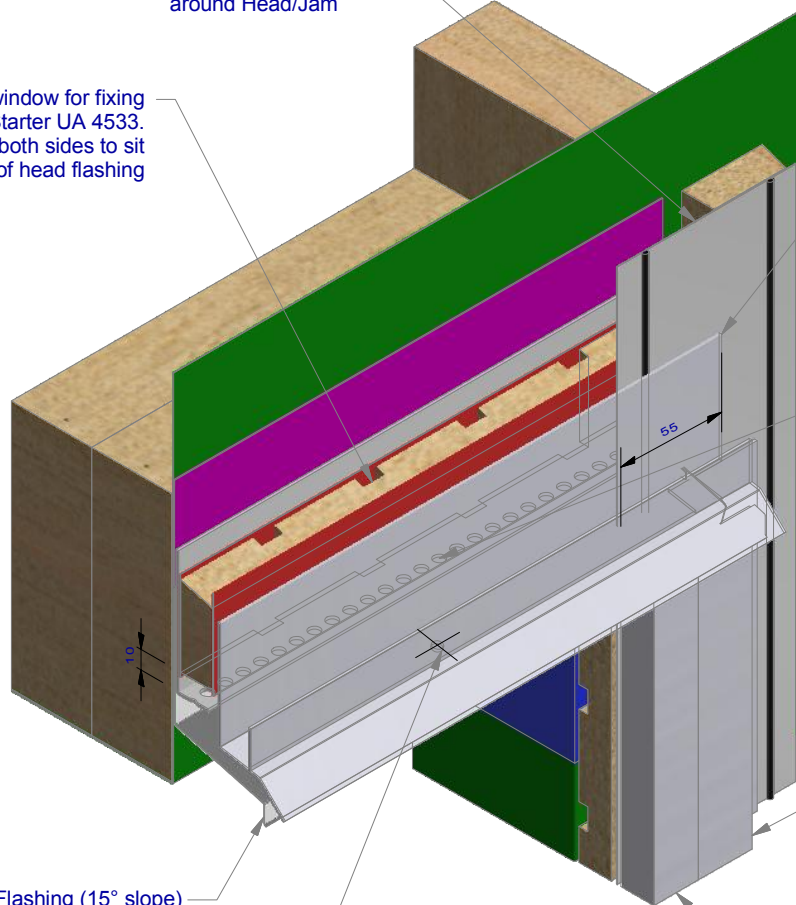


Vertical track flashing 0.9 mm folded aluminium flashing (hemmed) to 150 mm above window head.
Alternatively use Dynex Dynafash - Trimmed to fit around Head/Jam

Battens above window for fixing window head Starter UA 4533.
Outer batten both sides to sit inside stopend of head flashing



Ultraclad® UA 4533 Head Starter

Ultraclad® Cavity Vent Strip
Alternatively use PVC

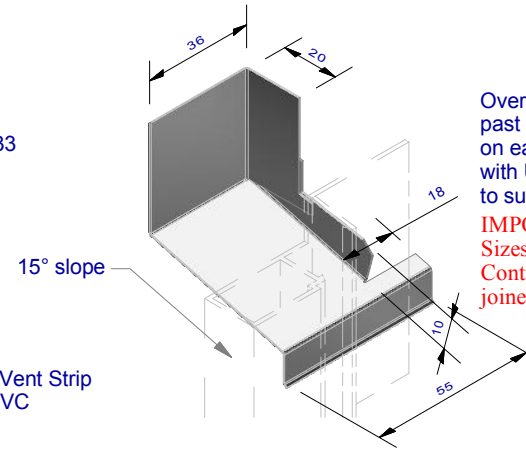
Ultraclad® UA 5833 Soffit Clip Top

Ultraclad® UA 7584 Jamb Flashing

Window Head Flashing (15° slope) folded stop end. (Note: not supplied with Ultraclad® system - contractor to supply as additional flashing)

Ultraclad® UA 4533 Head Starter 5 mm diameter drainage holes drilled through base of Head Starter at 300 mm centres

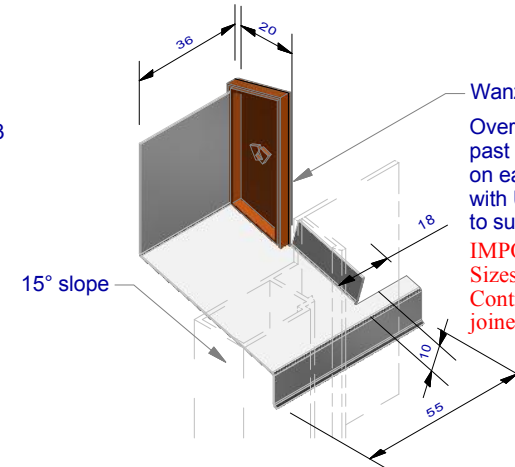
Window Head Flashing Option 1 Cut & Fold Stop End (1 : 2)



Overall Head Flashing length = +40 mm past edge of window and door joinery on each side. (Note: not supplied with Ultraclad® system - contractor to supply as additional flashing)

IMPORTANT:
Sizes shown are indicative only!
Contractor to confirm onsite as joinery suites may vary.

Window Head Flashing Option 2 Wanz Plastic Stop End Cap (1 : 2)



Wanz Plastic Stop End
Overall Head Flashing length = +40 mm past edge of window and door joinery on each side. (Note: not supplied with Ultraclad® system - contractor to supply as additional flashing)

IMPORTANT:
Sizes shown are indicative only!
Contractor to confirm onsite as joinery suites may vary.